



US00D485109S

(12) **United States Design Patent**
Oberhaus

(10) **Patent No.:** **US D485,109 S**

(45) **Date of Patent:** **** Jan. 13, 2004**

(54) **SYMMETRICALLY DESIGNED SNAP-ON SHELF**

(75) **Inventor:** **Fred D. Oberhaus**, Chesterfield, MO (US)

(73) **Assignee:** **Industrial Wire Products, Inc. (Pro Corp.)**, Sullivan, MO (US)

(**) **Term:** **14 Years**

(21) **Appl. No.:** **29/168,754**

(22) **Filed:** **Oct. 9, 2002**

(51) **LOC (7) Cl.** **06-04**

(52) **U.S. Cl.** **D6/574**

(58) **Field of Search** D6/509, 511, 553, D6/567, 574; 108/25, 28, 42; 211/13.1, 86.01, 71.01, 74, 126.1, 90.03, 134, 135, 181.1; 248/302

(56) **References Cited**

U.S. PATENT DOCUMENTS

3,419,155	A	*	12/1968	Black et al.	211/90.03
4,250,815	A	*	2/1981	Swanson	211/182 X
D280,280	S	*	8/1985	Pestone	D6/566
4,732,284	A		3/1988	Remmers		
D295,472	S		5/1988	Remmers		
4,781,349	A		11/1988	Remmers		
4,783,035	A		11/1988	Remmers		
D312,389	S		11/1990	Remmers		
D326,579	S	*	6/1992	Leeds	D6/511

5,326,062	A		7/1994	Remmers		
5,346,077	A		9/1994	Randall		
D369,293	S		4/1996	Gusdorf et al.		
5,580,018	A		12/1996	Remmers		
D378,481	S		3/1997	Oberhaus et al.		
D445,617	S	*	7/2001	Von Gunten et al.	D6/511

* cited by examiner

Primary Examiner—Brian N. Vinson
(74) *Attorney, Agent, or Firm*—Paul M Denk

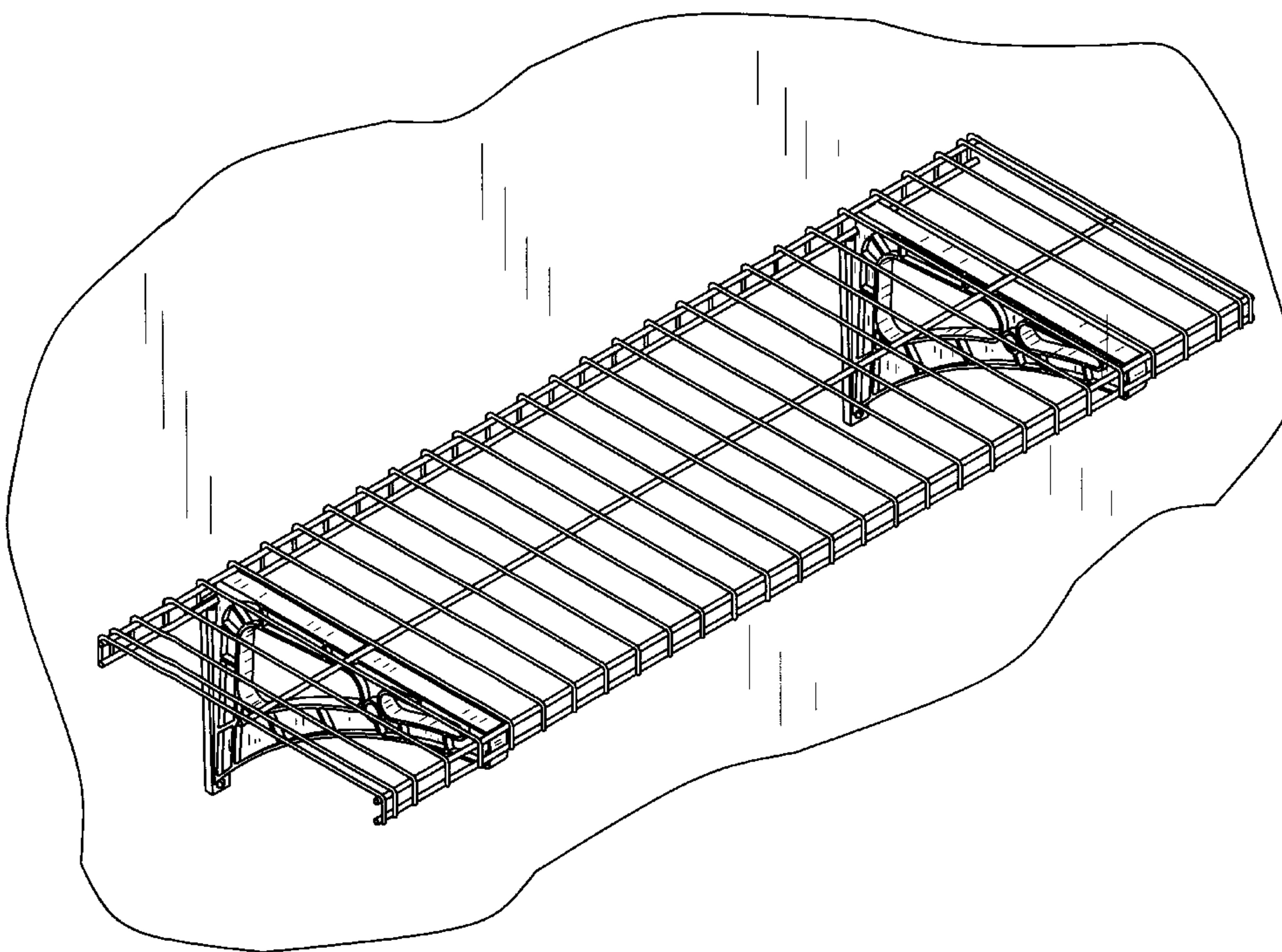
(57) **CLAIM**

The ornamental design for the symmetrically design snap-on shelf.

DESCRIPTION

FIG. 1 is an isometric view of a symmetrically designed snap-on shelf of this invention;
 FIG. 2 is an end view of snap-on shelf, the opposite end view being a mirror image thereof;
 FIG. 3 is an isometric view of a bracket used with the snap-on shelf of this invention;
 FIG. 4 is a front view of the bracket;
 FIG. 5 is an isometric view of the shelf of this invention;
 FIG. 6 is a front edge view, the back edge view being a mirror image thereof;
 FIG. 7 is an end view of the shelf, the opposite end view being a mirror image thereof;
 FIG. 8 is a top plan view of the shelf; and,
 FIG. 9 is a bottom view of said shelf.

1 Claim, 4 Drawing Sheets



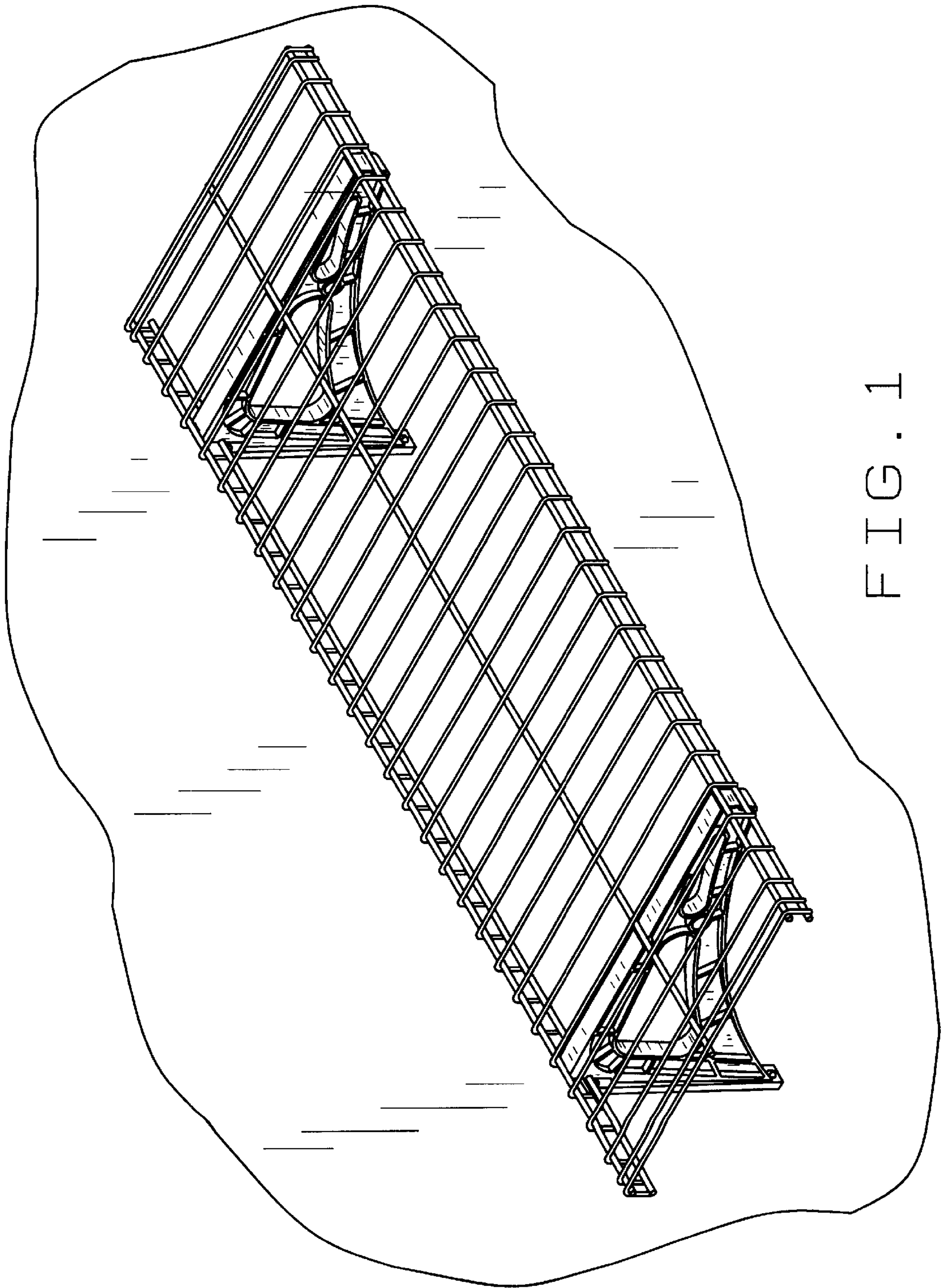


FIG. 1

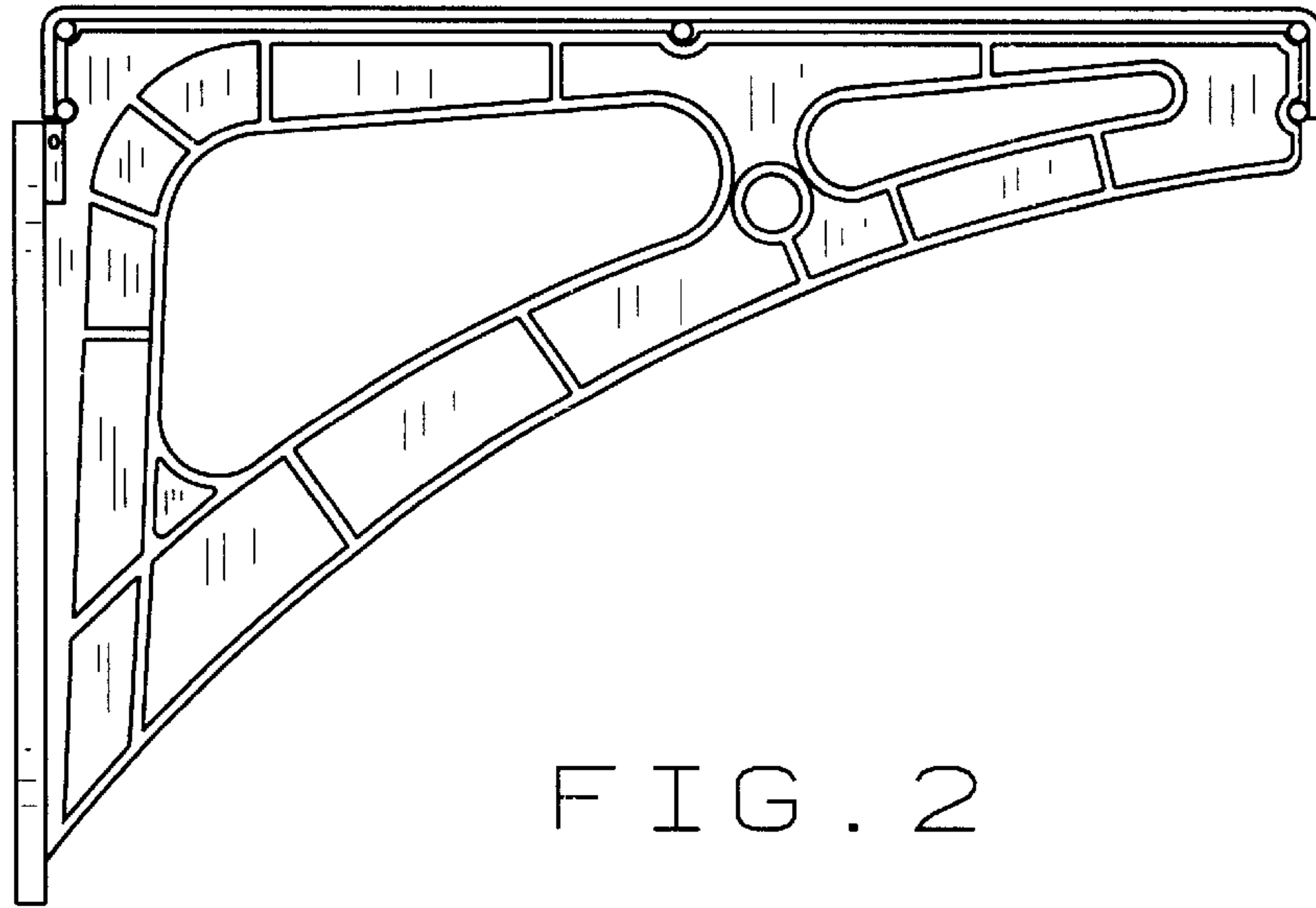


FIG. 2

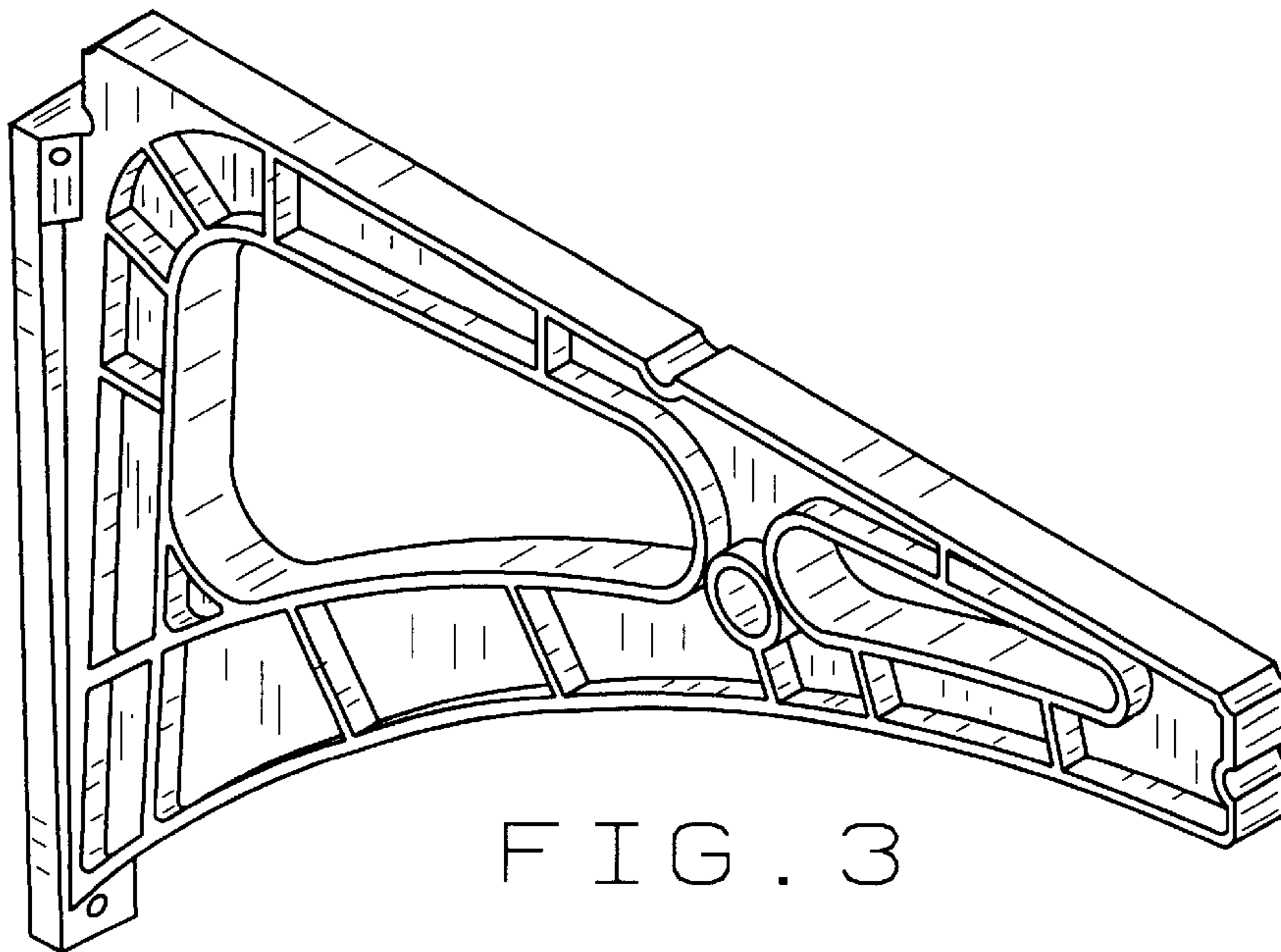


FIG. 3

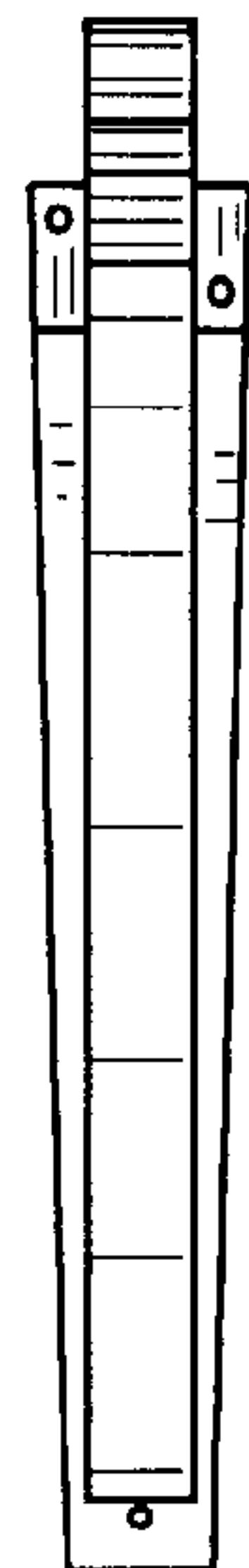


FIG. 4

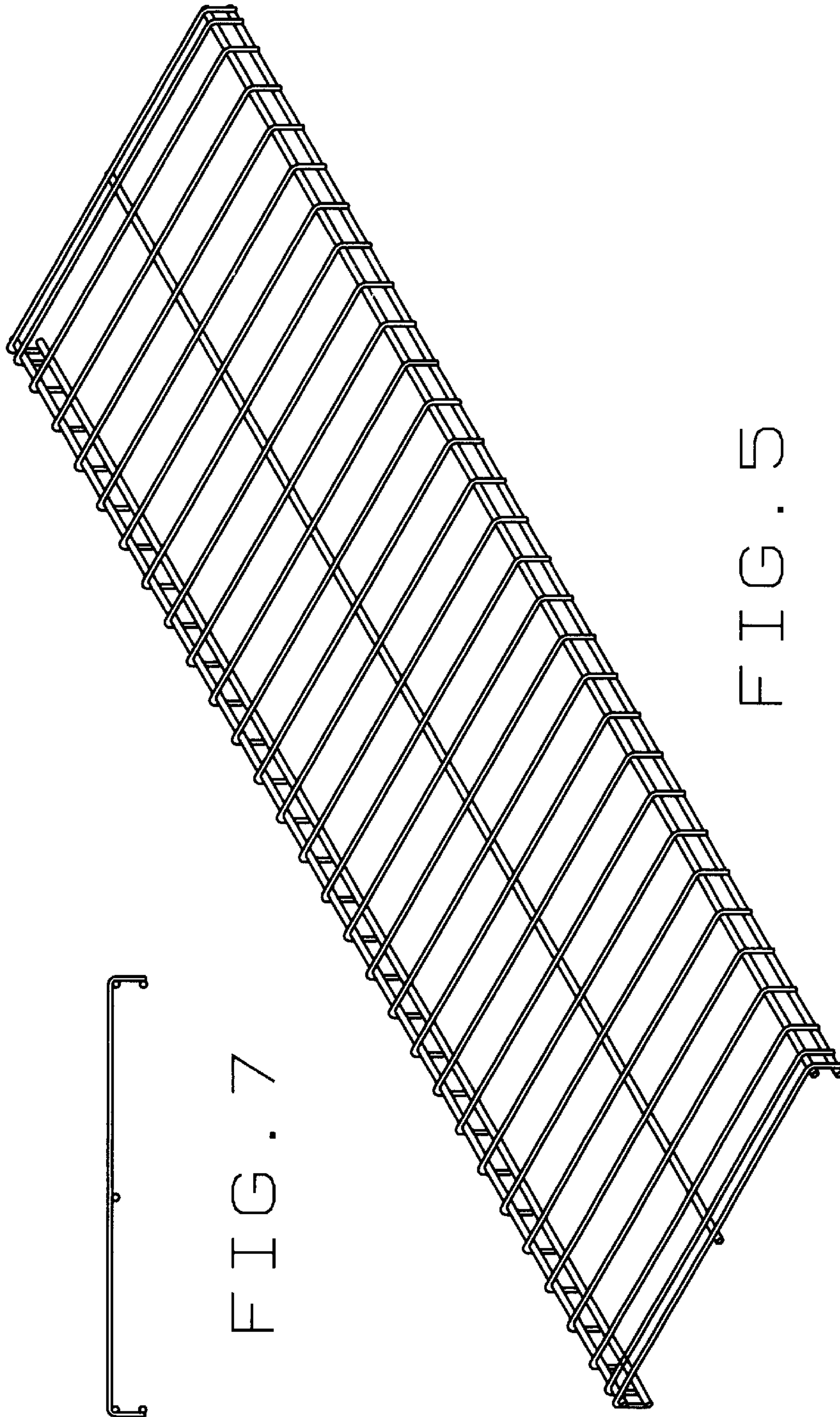


FIG. 5



FIG. 6



FIG. 7

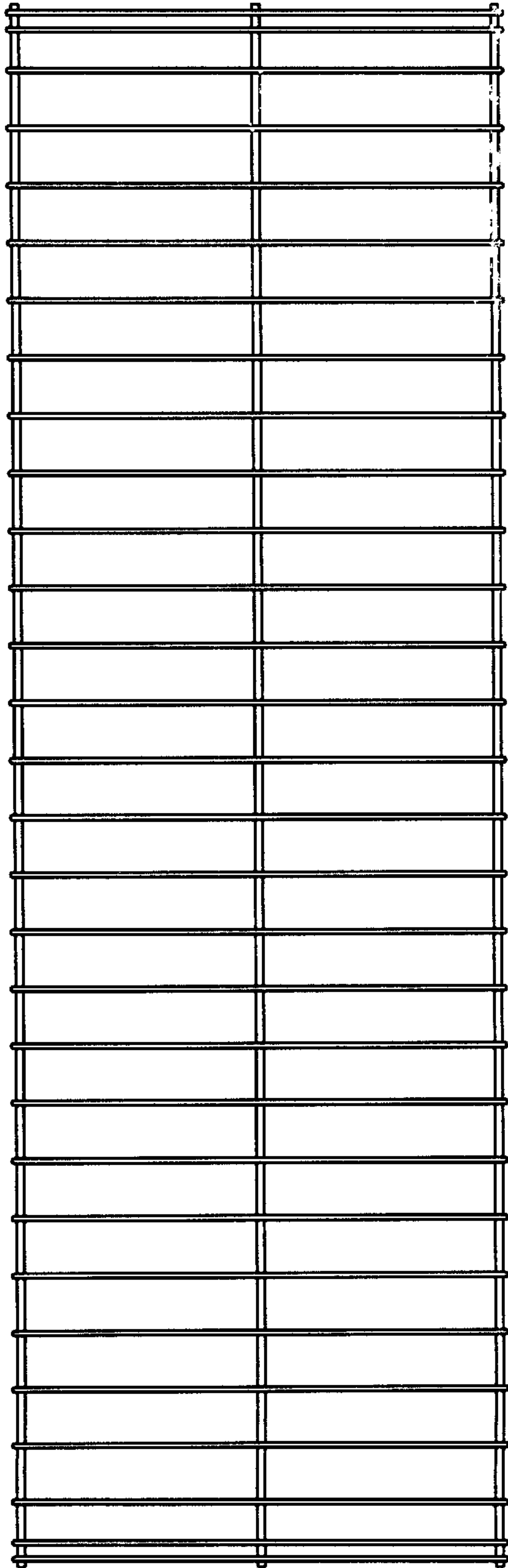


FIG. 8

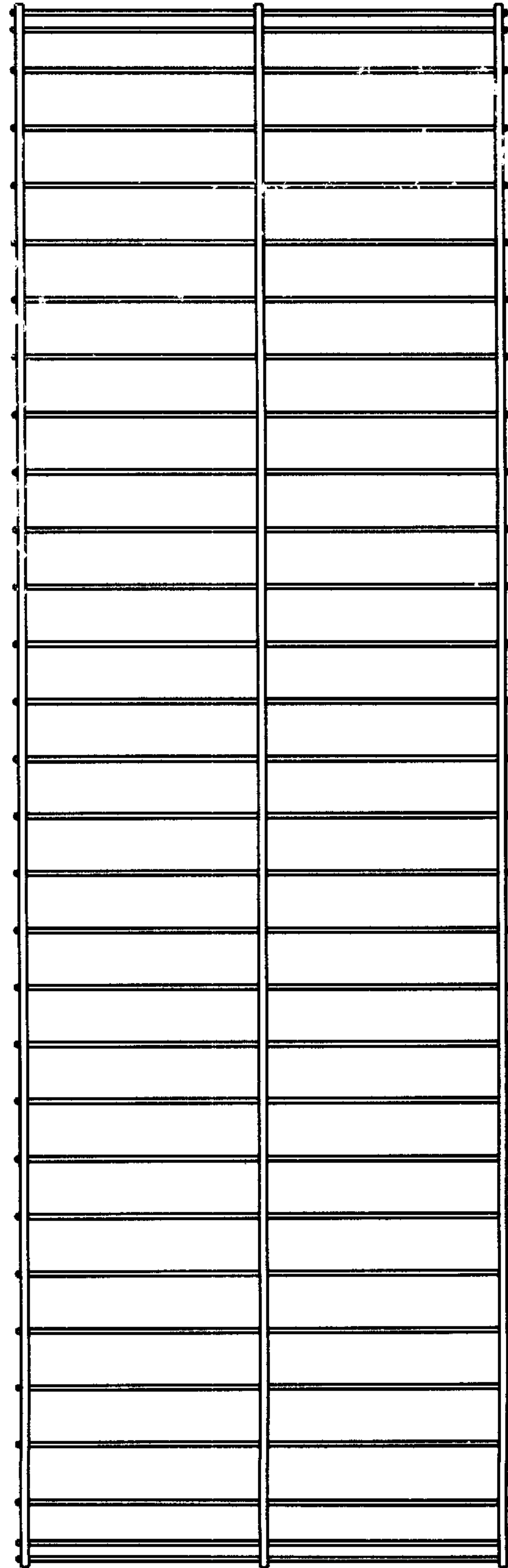


FIG. 9