



US00D485108S

(12) **United States Design Patent**  
**Sung**

(10) **Patent No.:** **US D485,108 S**

(45) **Date of Patent:** **\*\* Jan. 13, 2004**

(54) **SHELF ASSEMBLY FOR ATTACHMENT TO VERTICAL SURFACES**

*Primary Examiner*—Brian N. Vinson  
(74) *Attorney, Agent, or Firm*—Jerry H. Noh

(76) **Inventor:** **Robbin Sung**, 1528 W. Olympic St.,  
Los Angeles, CA (US) 90015

(57) **CLAIM**

(\*\*) **Term:** **14 Years**

The ornamental design for a shelf assembly for attachment to vertical surfaces, as shown and described.

(21) **Appl. No.:** **29/172,754**

**DESCRIPTION**

(22) **Filed:** **Dec. 18, 2002**

(51) **LOC (7) Cl.** ..... **06-04**

FIG. 1 is a top perspective view of a shelf assembly for attachment to vertical surfaces showing my new design;

(52) **U.S. Cl.** ..... **D6/570**

FIG. 2 is a left side elevational view of the shelf assembly for attachment to vertical surfaces with the right side being a mirror image thereof;

(58) **Field of Search** ..... D6/553, 555, 567,  
D6/569, 570, 574; 211/13.1, 30, 32, 34,  
35, 86.01, 87.01, 88.01, 90.01, 126.1, 134;  
312/245; 248/235, 317

FIG. 3 is a front view thereof;

FIG. 4 is a top plan view thereof; and,

(56) **References Cited**

FIG. 5 is a top perspective view of a second embodiment of the shelf assembly for attachment to vertical surfaces.

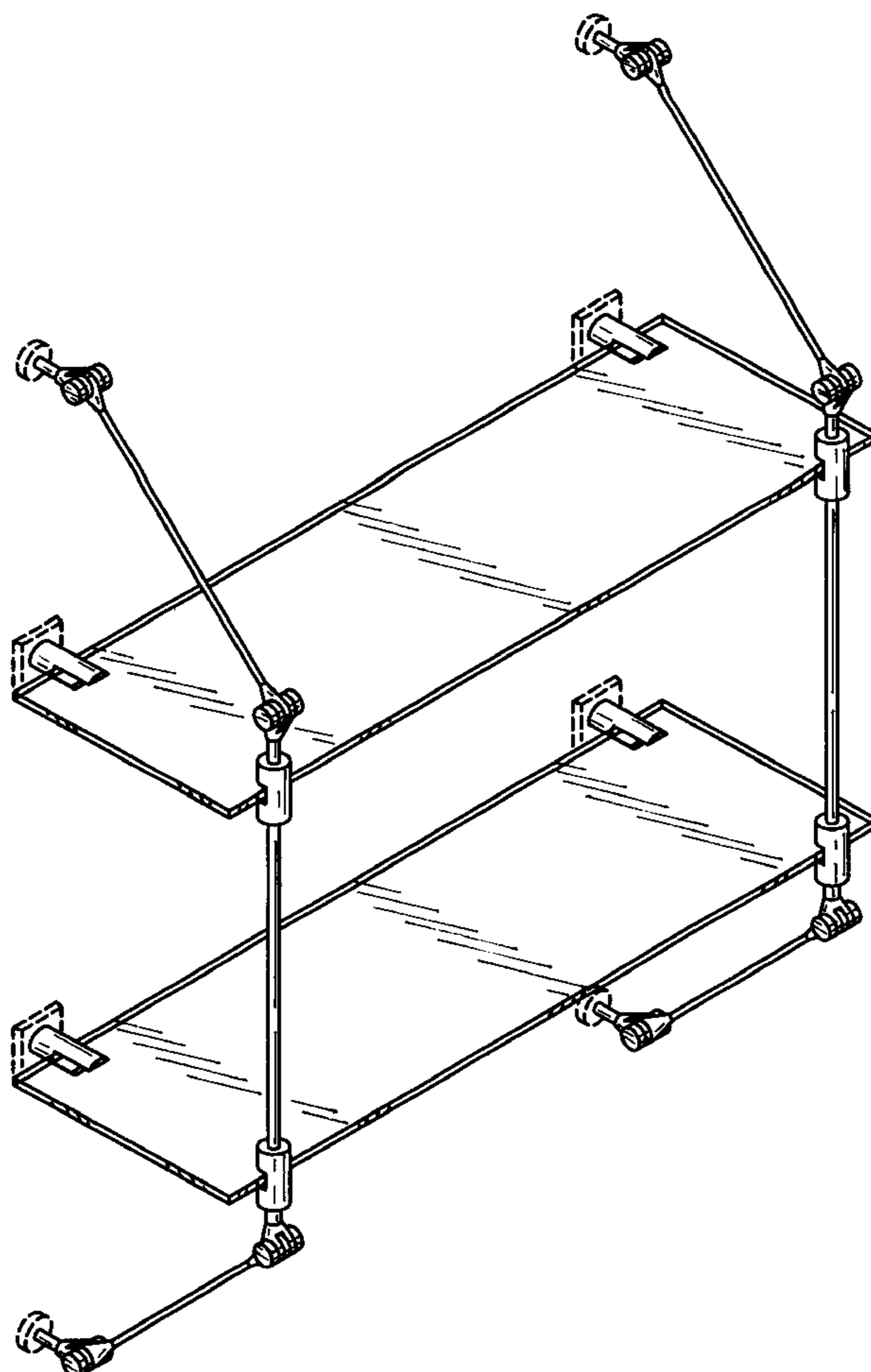
**U.S. PATENT DOCUMENTS**

2,556,105	A	*	6/1951	Rhett	.....	108/149	X
D230,797	S	*	3/1974	Slaboden	.....	D6/570	
4,685,575	A	*	8/1987	Kulbersh	.....	211/90.02	
D301,000	S	*	5/1989	Christiansen	.....	D6/574	
D457,027	S	*	5/2002	Muller et al.	.....	D6/574	

The broken line showing of environment in FIGS. 1 and 5 is for illustrative purposes only and forms no part of the claimed design.

\* cited by examiner

**1 Claim, 3 Drawing Sheets**



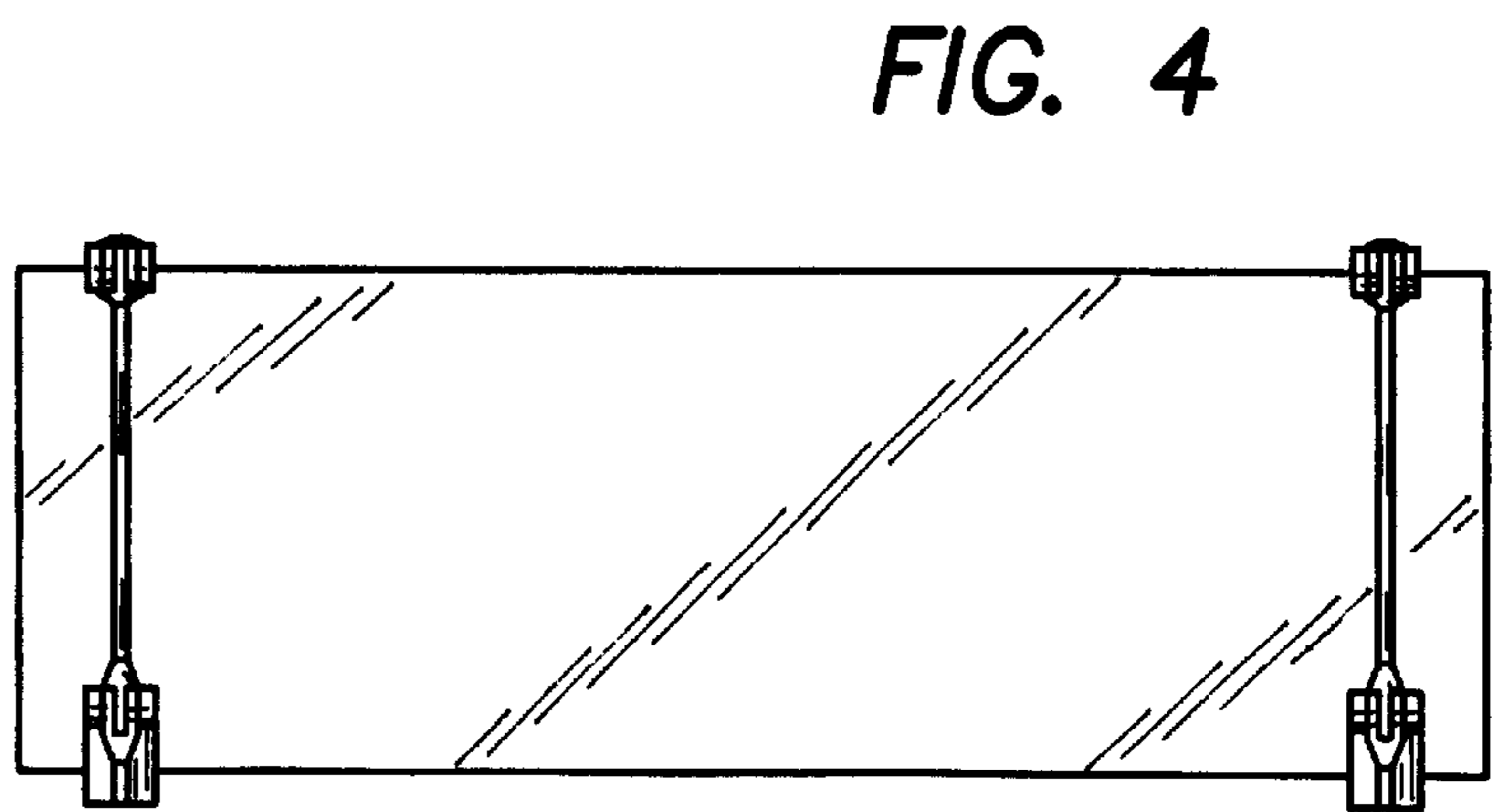
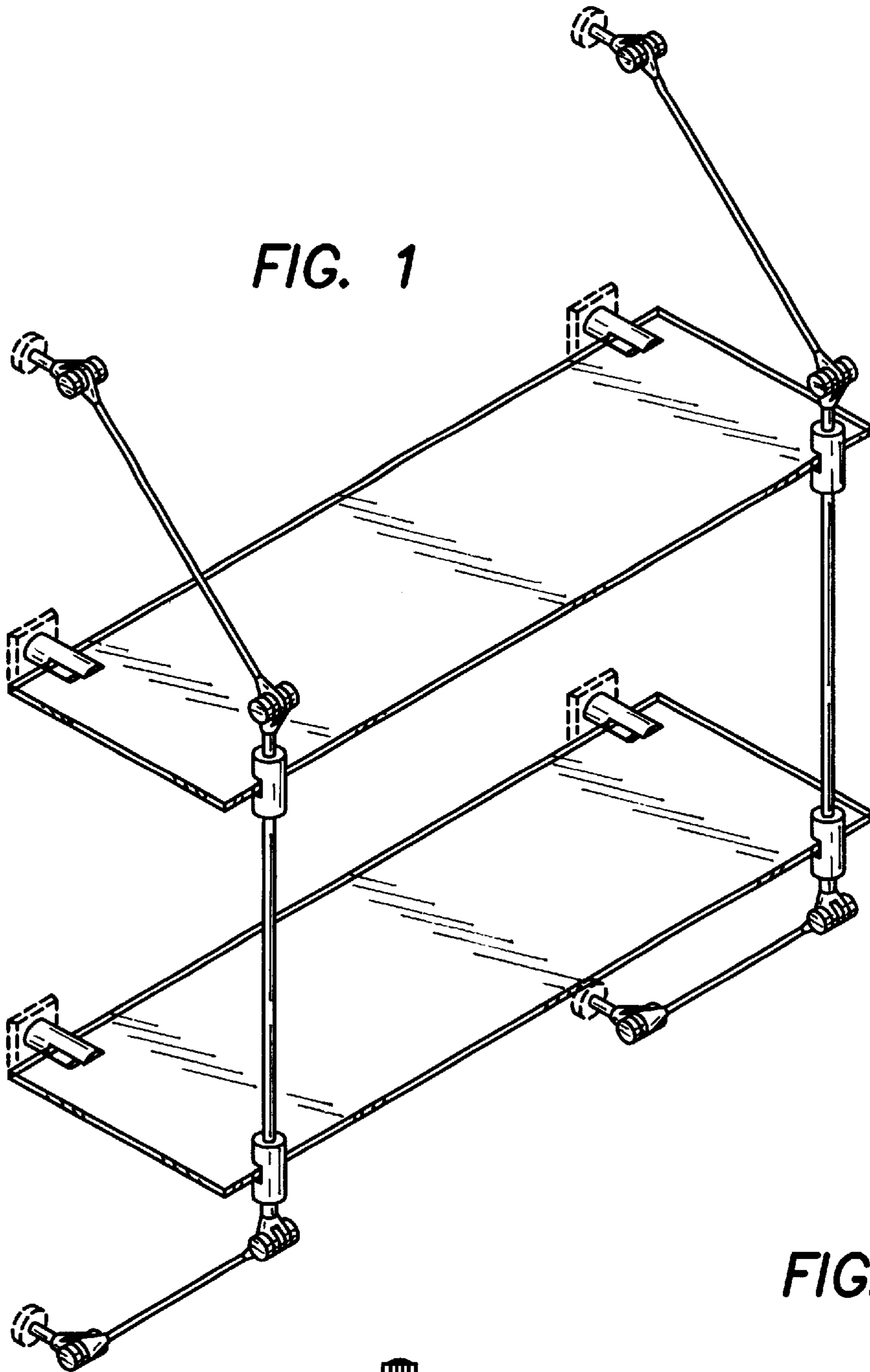




FIG. 2

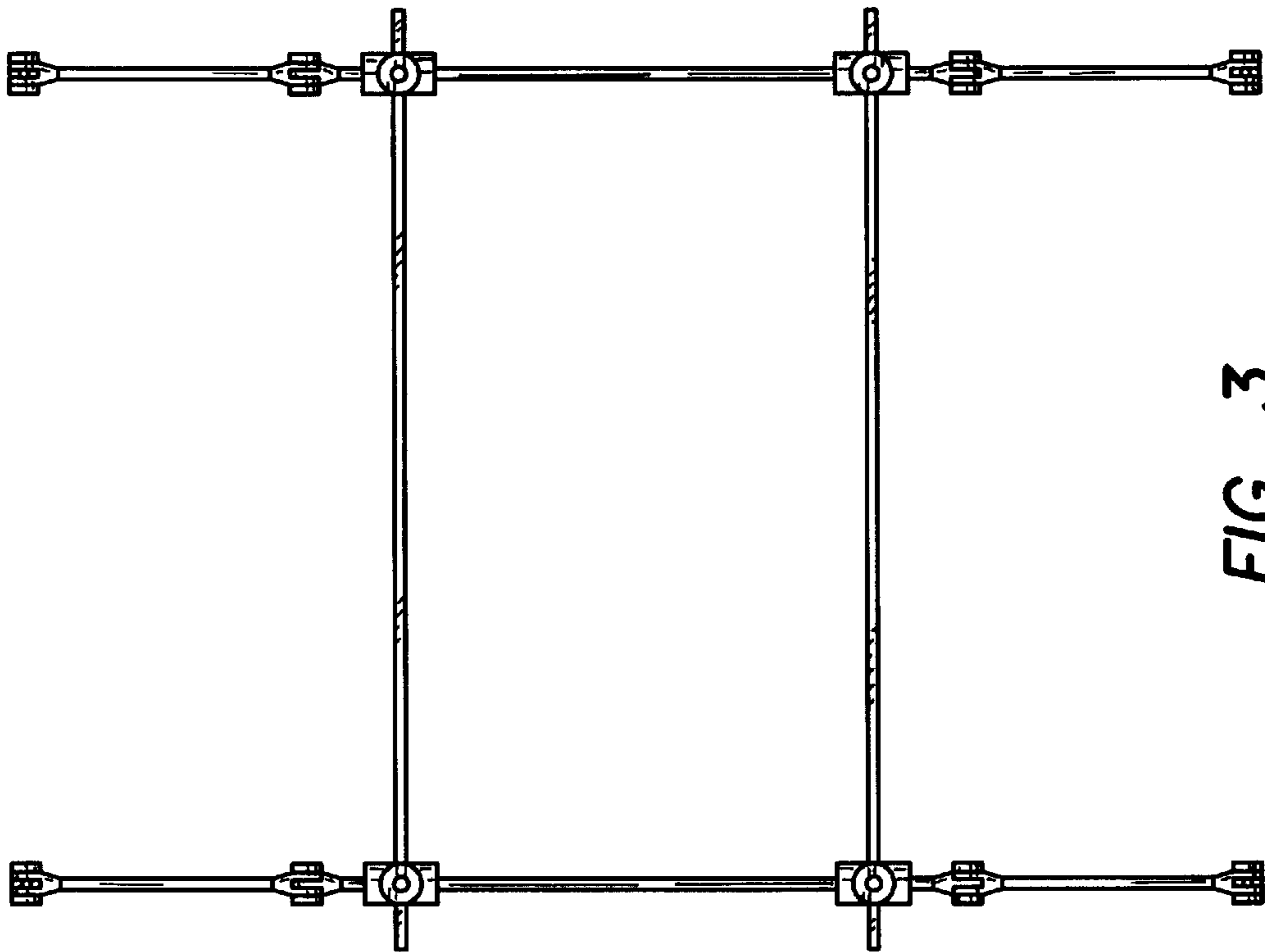


FIG. 3

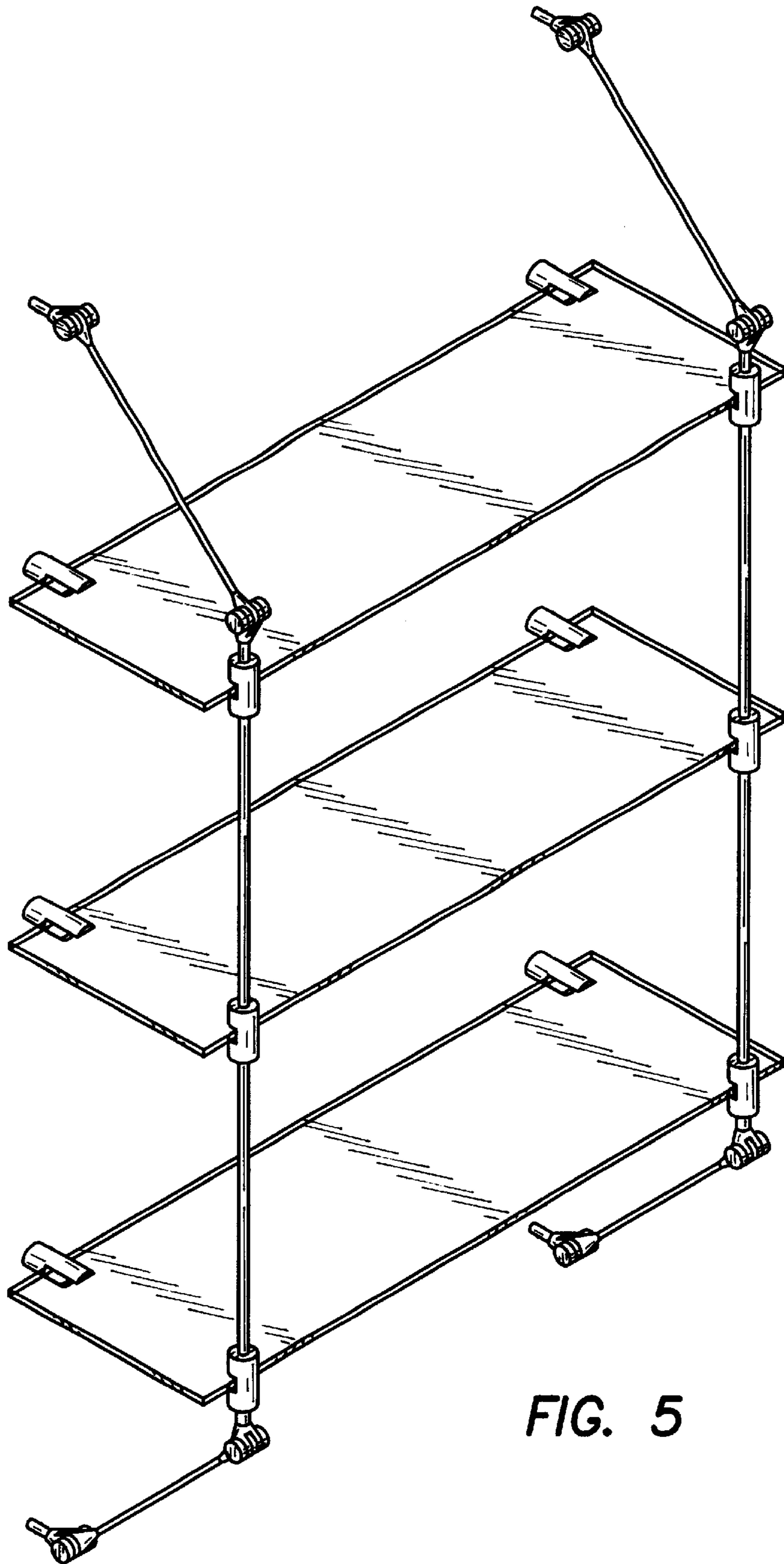


FIG. 5