



US00D485107S

(12) **United States Design Patent**
Sung

(10) **Patent No.:** **US D485,107 S**

(45) **Date of Patent:** **** Jan. 13, 2004**

(54) **SHELF DEVICE FOR ATTACHMENT TO VERTICAL SURFACES**

Primary Examiner—Brian N. Vinson
(74) *Attorney, Agent, or Firm*—Jerry H. Noh

(76) **Inventor:** **Robbin Sung**, 1528 W. Olympic St.,
Los Angeles, CA (US) 90015

(57) **CLAIM**

The ornamental design for a shelf device for attachment to vertical surfaces, as shown and described.

(**) **Term:** **14 Years**

DESCRIPTION

(21) **Appl. No.:** **29/172,752**

(22) **Filed:** **Dec. 18, 2002**

(51) **LOC (7) Cl.** **06-04**

(52) **U.S. Cl.** **D6/570**

(58) **Field of Search** D6/553, 555, 567,
D6/569, 570, 574; 24/13.1, 30, 32, 34,
35, 86.01, 87.01, 88.01, 90.01, 126.1, 134;
312/245; 248/235, 317

FIG. 1 is a top perspective view of a shelf device for attachment to vertical surfaces showing my new design;

FIG. 2 is a left side elevational view of the shelf device for attachment to vertical surfaces with the right side being a mirror image thereof;

FIG. 3 is a front elevational view thereof;

FIG. 4 is a bottom plan view thereof; and,

FIG. 5 is a top perspective view of a second embodiment of the shelf device for attachment to vertical surfaces.

The broken line showing of environment in FIGS. 1 and 5 is for illustrative purposes only and forms no part of the claimed design.

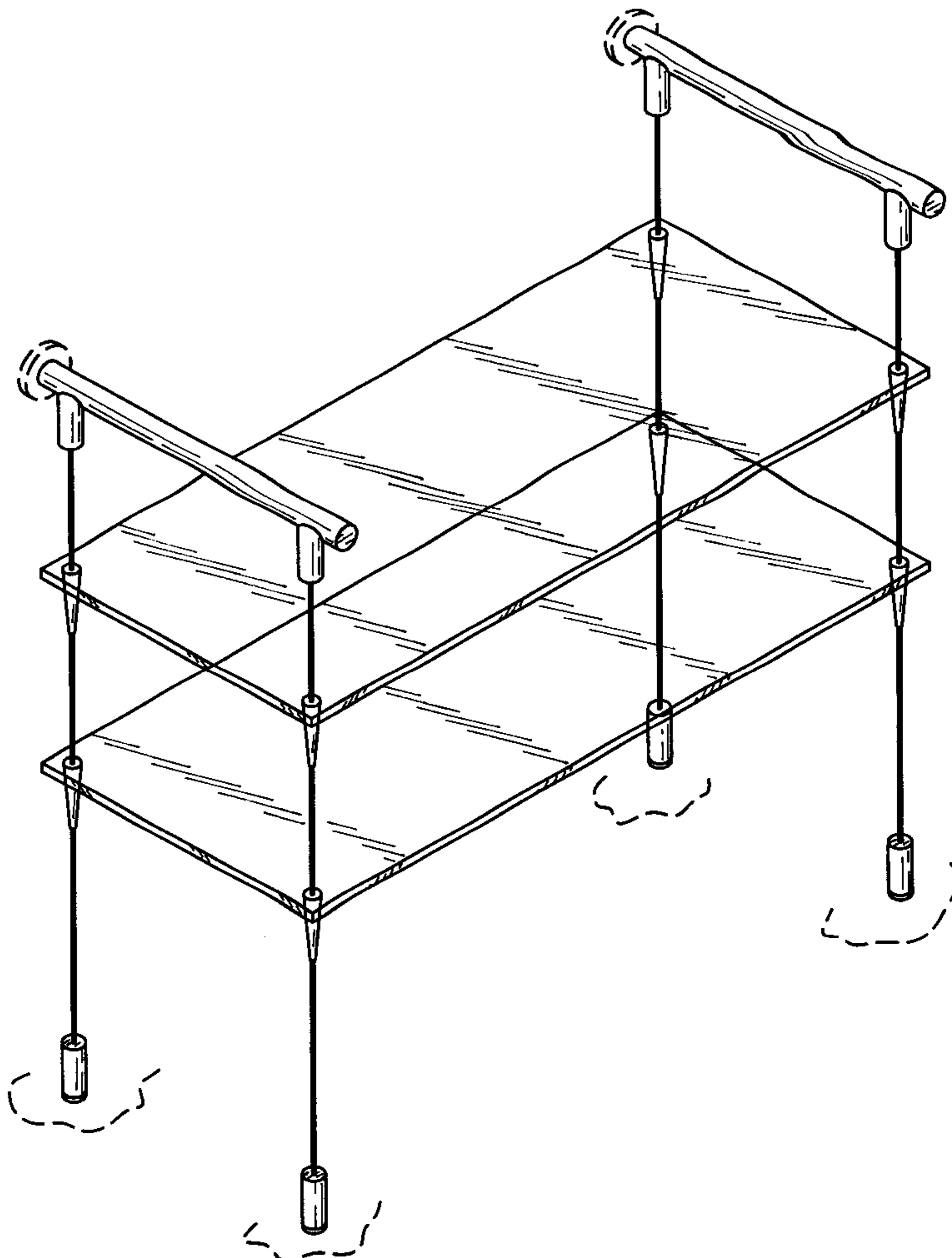
(56) **References Cited**

U.S. PATENT DOCUMENTS

D30,064 S	*	1/1899	Andreen	D6/514
D136,722 S	*	11/1943	Waterman	D6/514
2,556,105 A	*	6/1951	Rhett	108/149 X
D247,695 S	*	4/1978	Bratton	D6/514

* cited by examiner

1 Claim, 3 Drawing Sheets



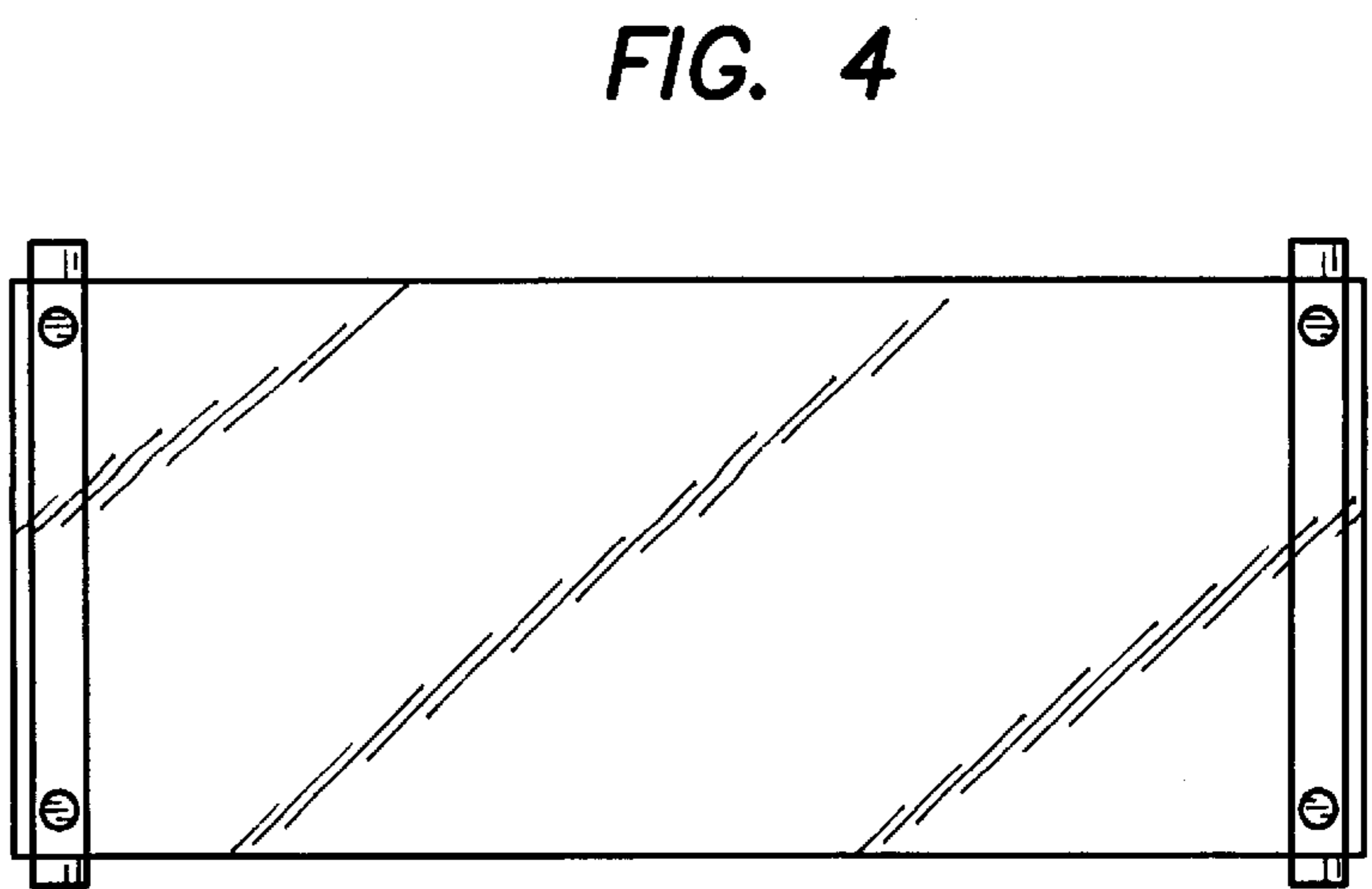
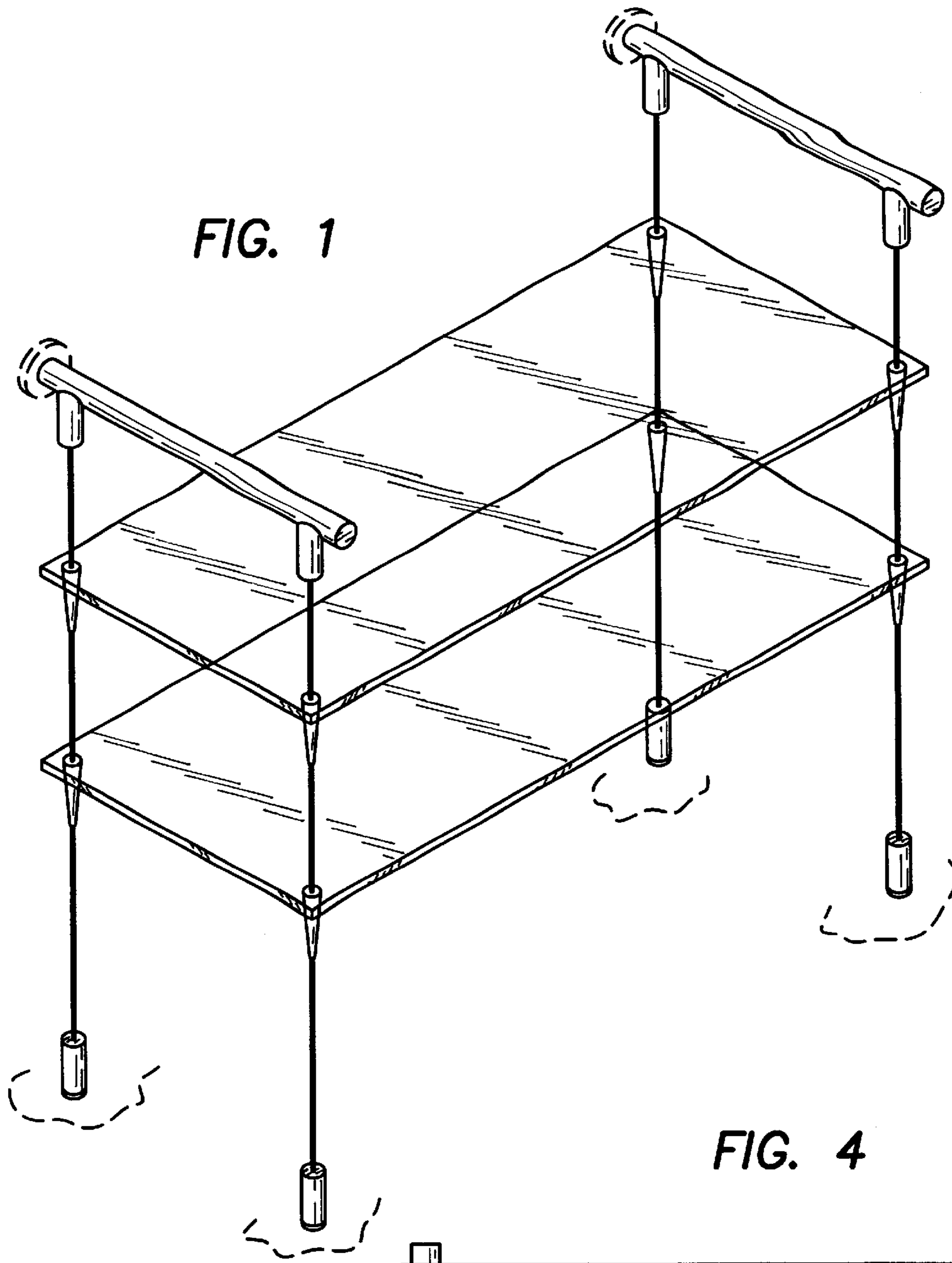


FIG. 3

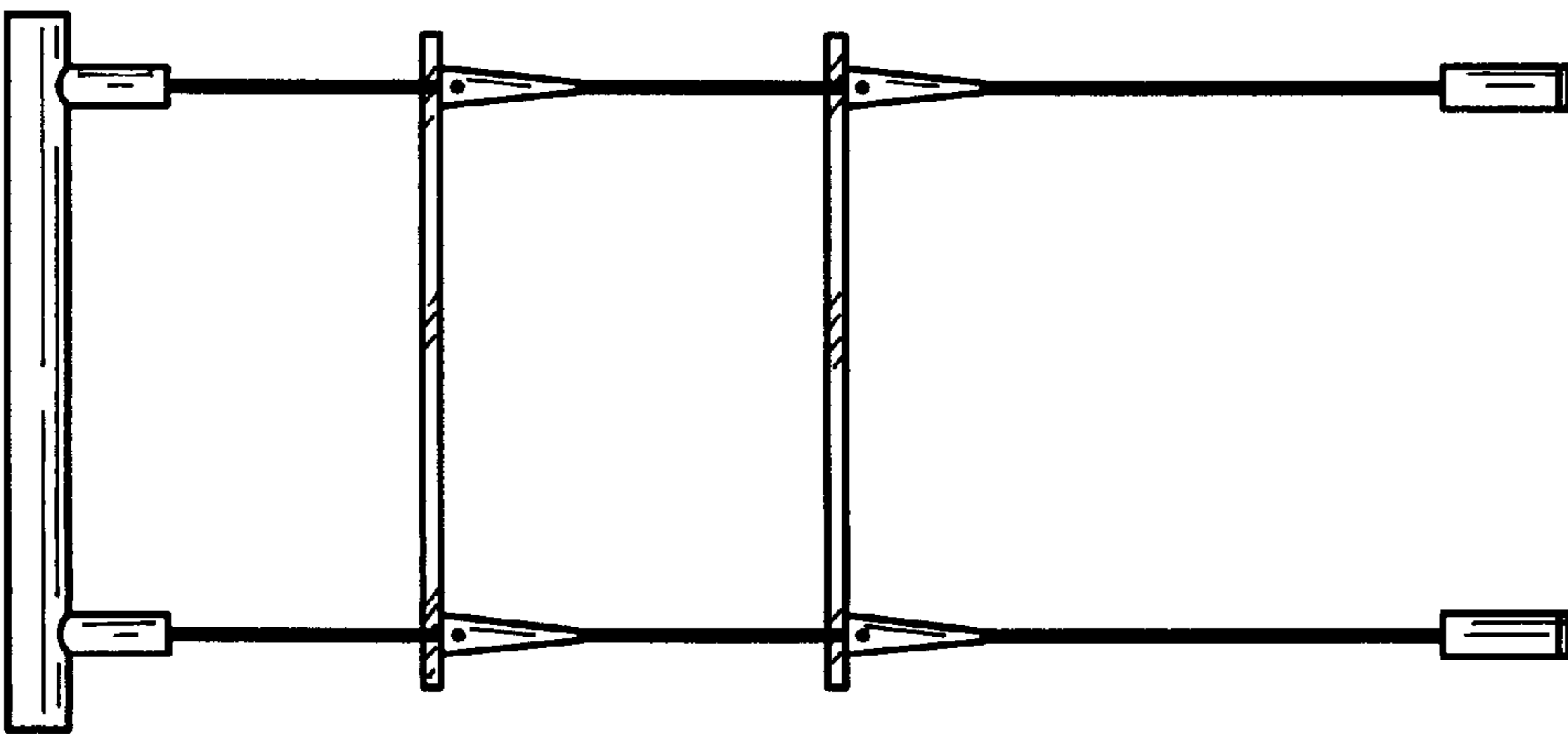
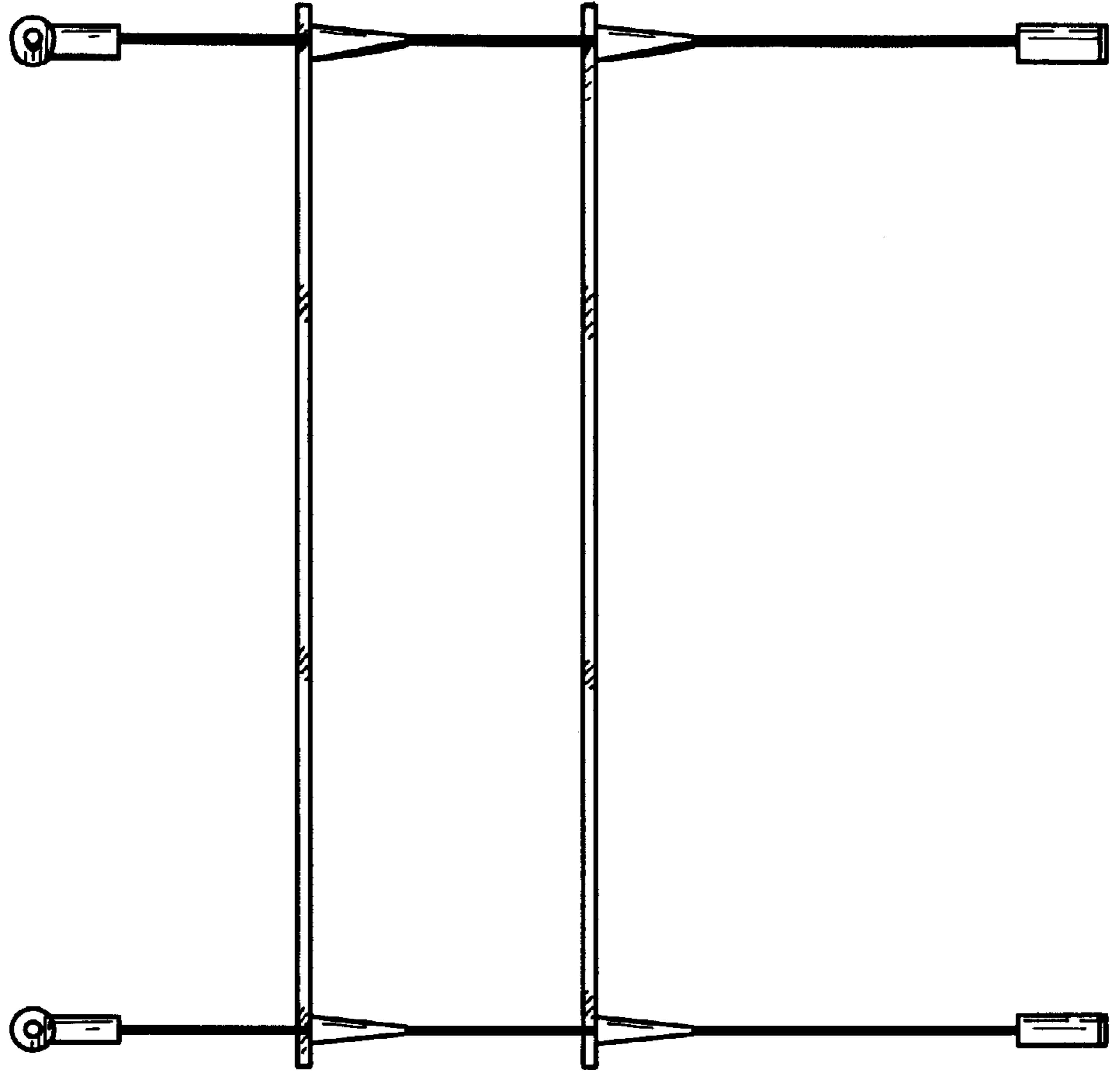


FIG. 2

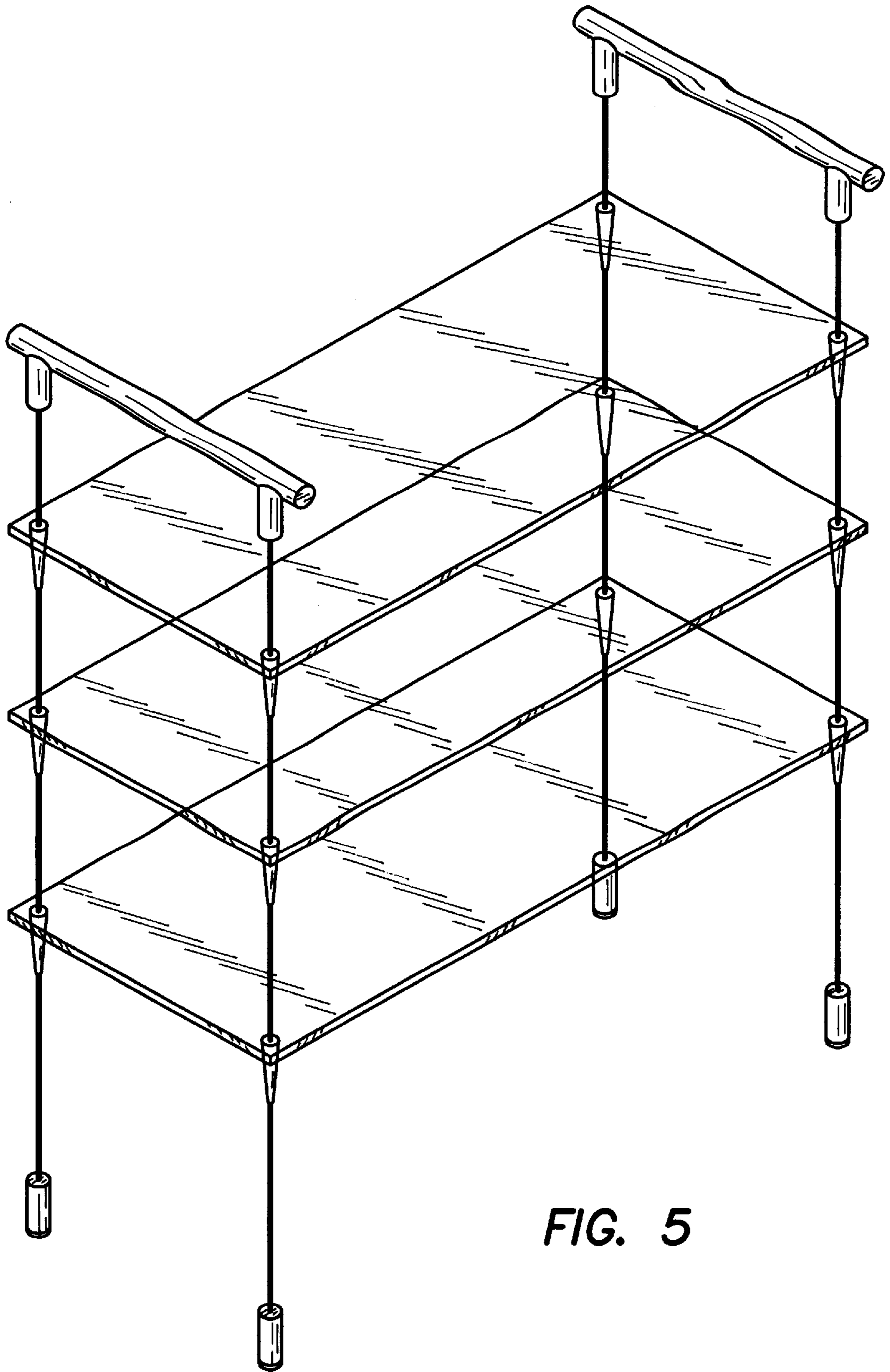


FIG. 5