



US00D485104S

(12) **United States Design Patent**
Suero, Jr.

(10) **Patent No.:** **US D485,104 S**

(45) **Date of Patent:** **** Jan. 13, 2004**

(54) **HANGING SHOWER CADDY**

D443,162 S * 6/2001 Winter D6/525 X
D475,560 S * 6/2003 Suero, Jr. D6/525
D475,562 S * 6/2003 Suero, Jr. D6/525

(75) Inventor: **Jose Suero, Jr.**, Newark, DE (US)

(73) Assignee: **Zenith Products Corp.**, New Castle, DE (US)

* cited by examiner

(**) Term: **14 Years**

Primary Examiner—Brian N. Vinson

(74) *Attorney, Agent, or Firm*—Edgar A. Zarins; Lloyd D. Doigan

(21) Appl. No.: **29/173,792**

(57) **CLAIM**

(22) Filed: **Jan. 7, 2003**

The ornamental design for a hanging shower caddy, as shown and described.

(51) **LOC (7) Cl.** **23-02**

(52) **U.S. Cl.** **D6/525**

(58) **Field of Search** D6/524, 525, 553, D6/559, 560, 561, 562, 567, 569, 570; 211/86.01, 87.01, 88.01, 106, 126.1, 126.9, 134, 153, 182; 206/77.1

DESCRIPTION

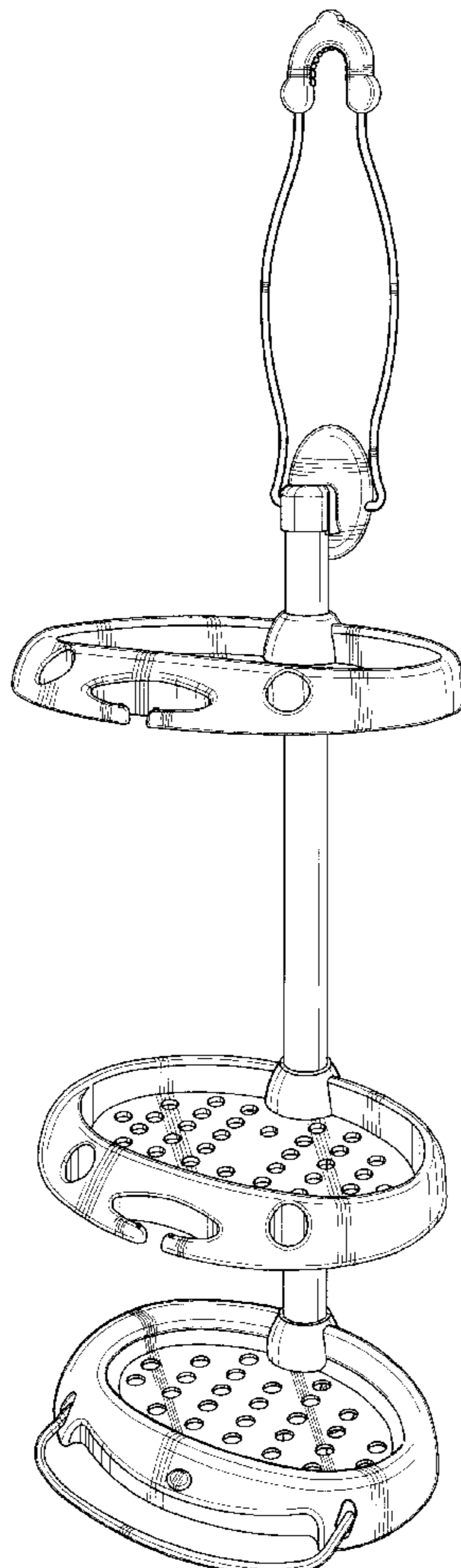
FIG. 1 is a perspective view of a hanging shower caddy showing my new design;
FIG. 2 is a front elevational view thereof;
FIG. 3 is a right side view thereof, the opposite side being a mirror image of the side shown;
FIG. 4 is a rear elevational view thereof;
FIG. 5 is a bottom plan view thereof; and,
FIG. 6 is a top plan view thereof.

(56) **References Cited**

U.S. PATENT DOCUMENTS

D421,692 S * 3/2000 Wojtowicz et al. D6/525
D421,867 S * 3/2000 Carville et al. D6/525 X
D429,934 S * 8/2000 Hofman D6/525

1 Claim, 5 Drawing Sheets



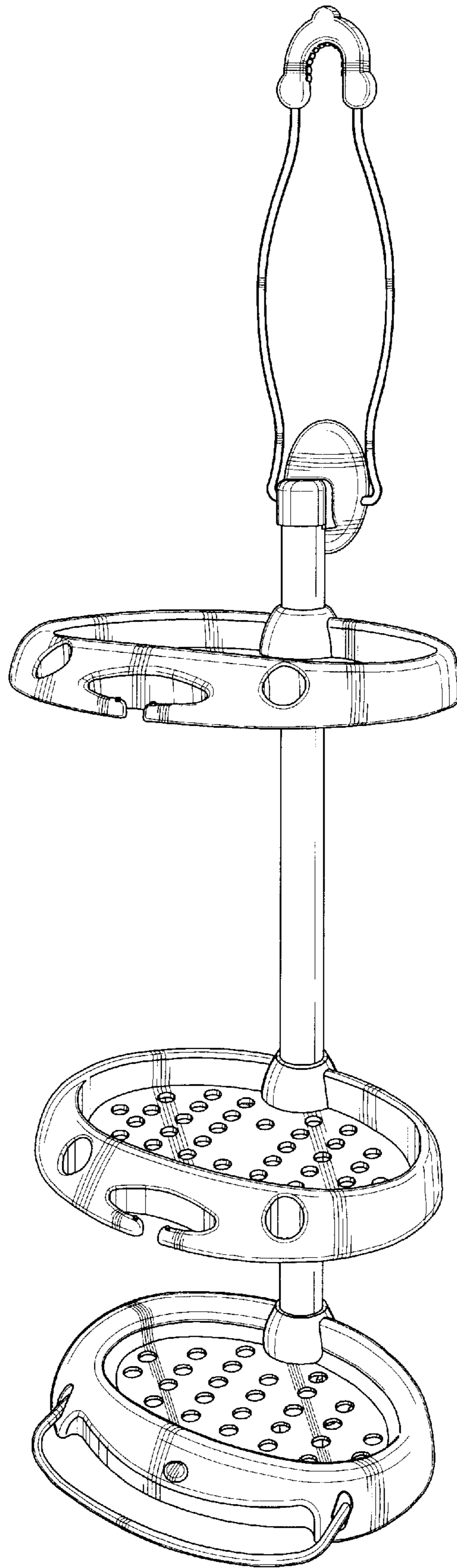


Fig-1

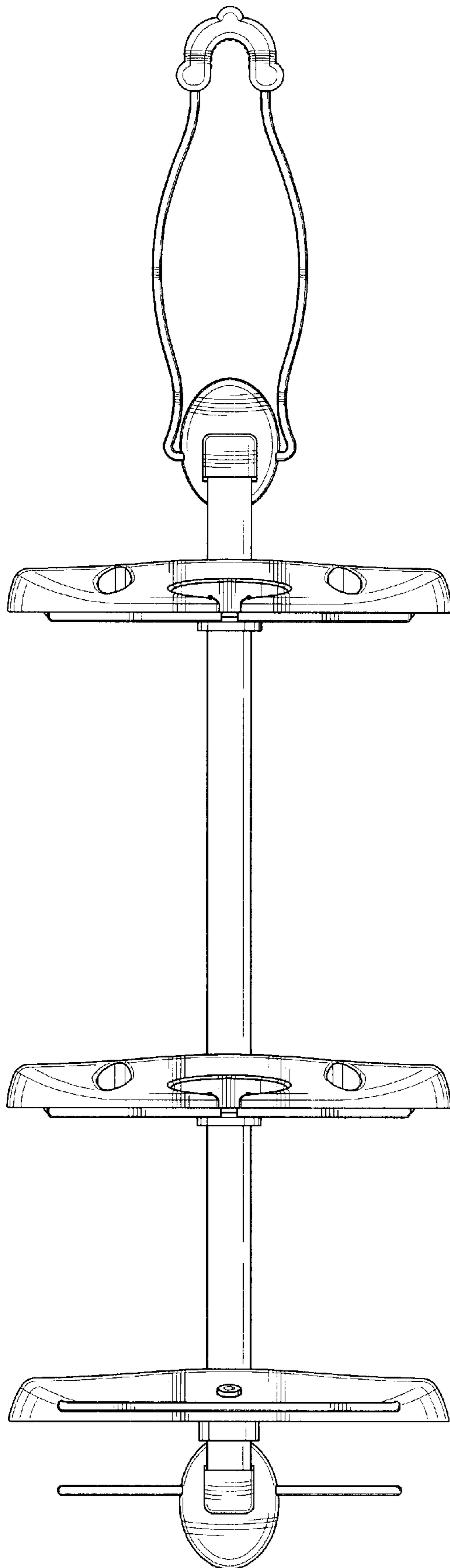


Fig-2

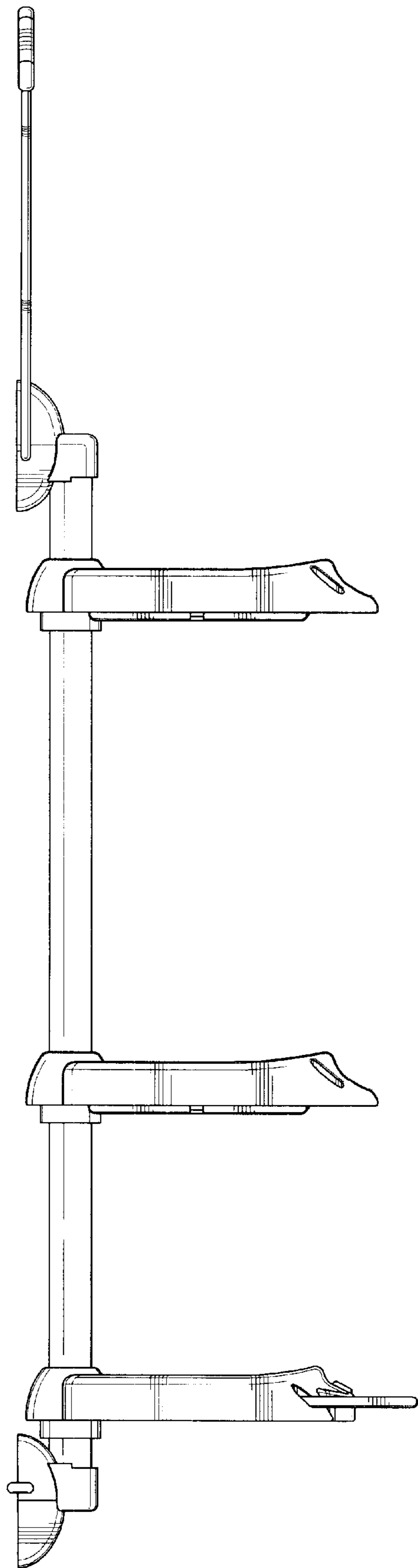


Fig-3

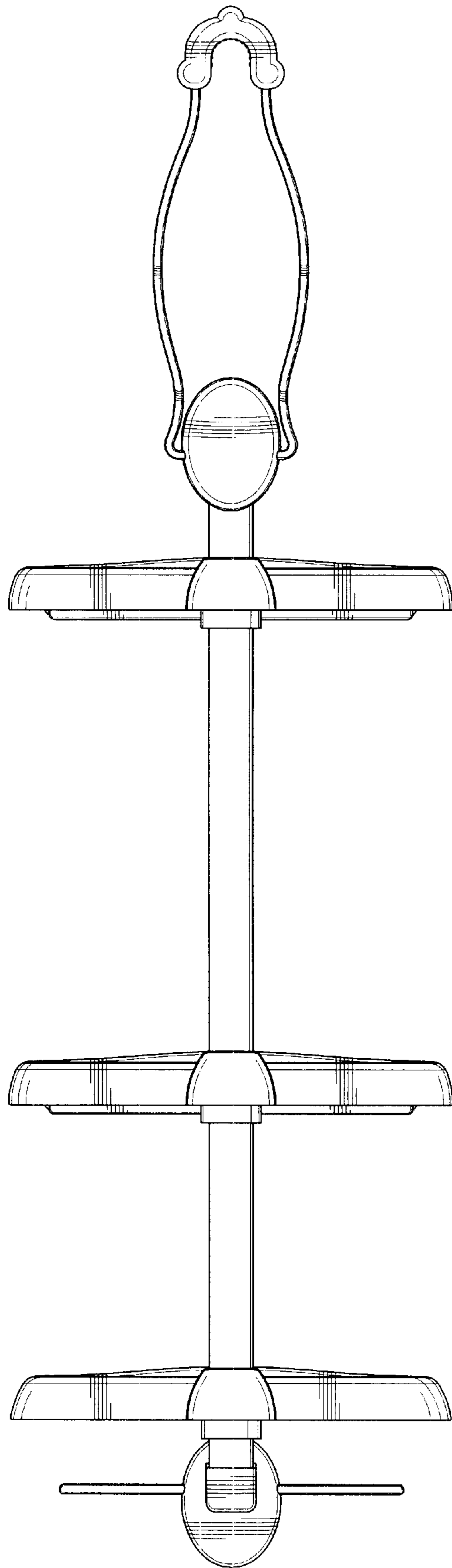


Fig-4

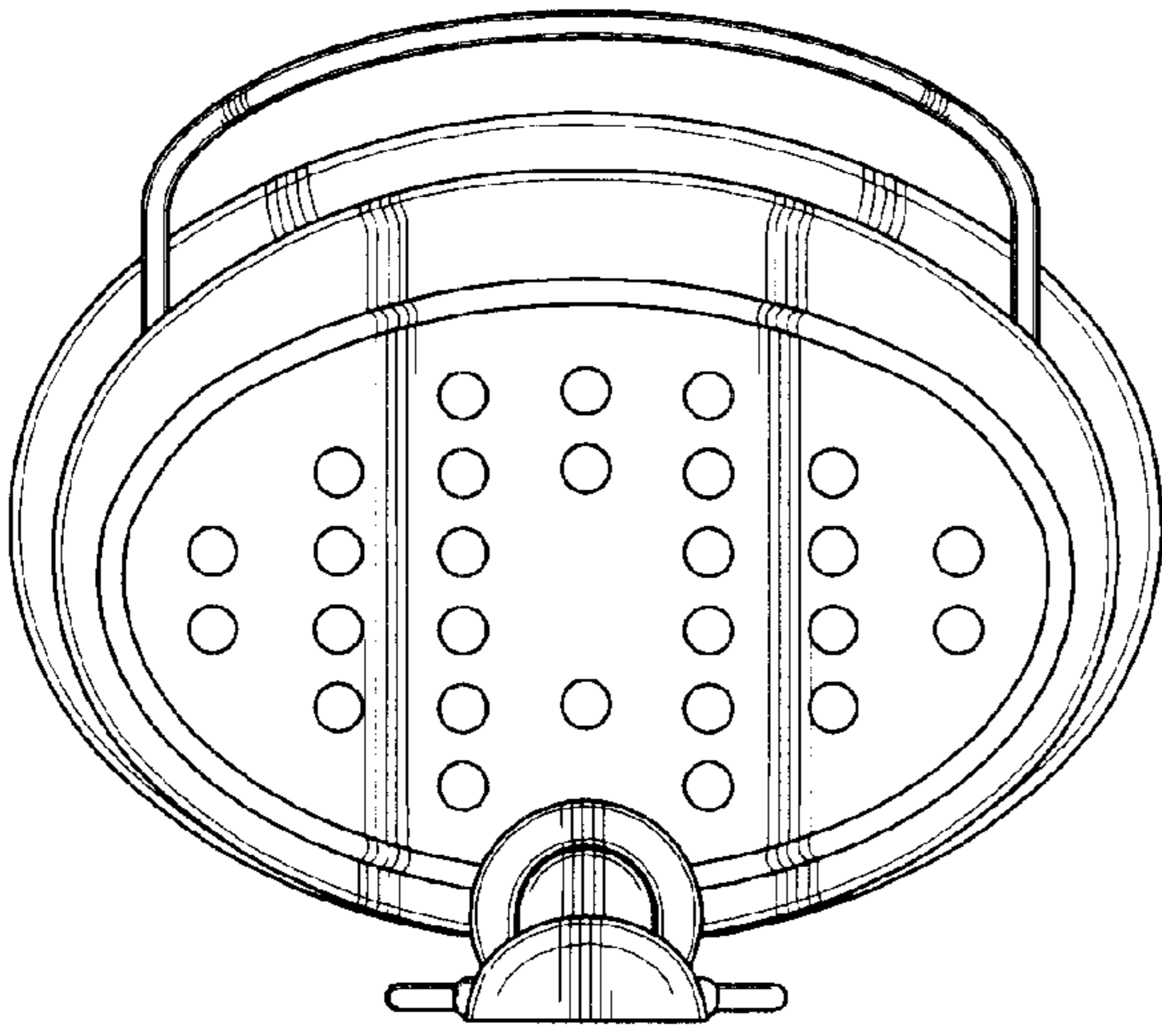


Fig-5

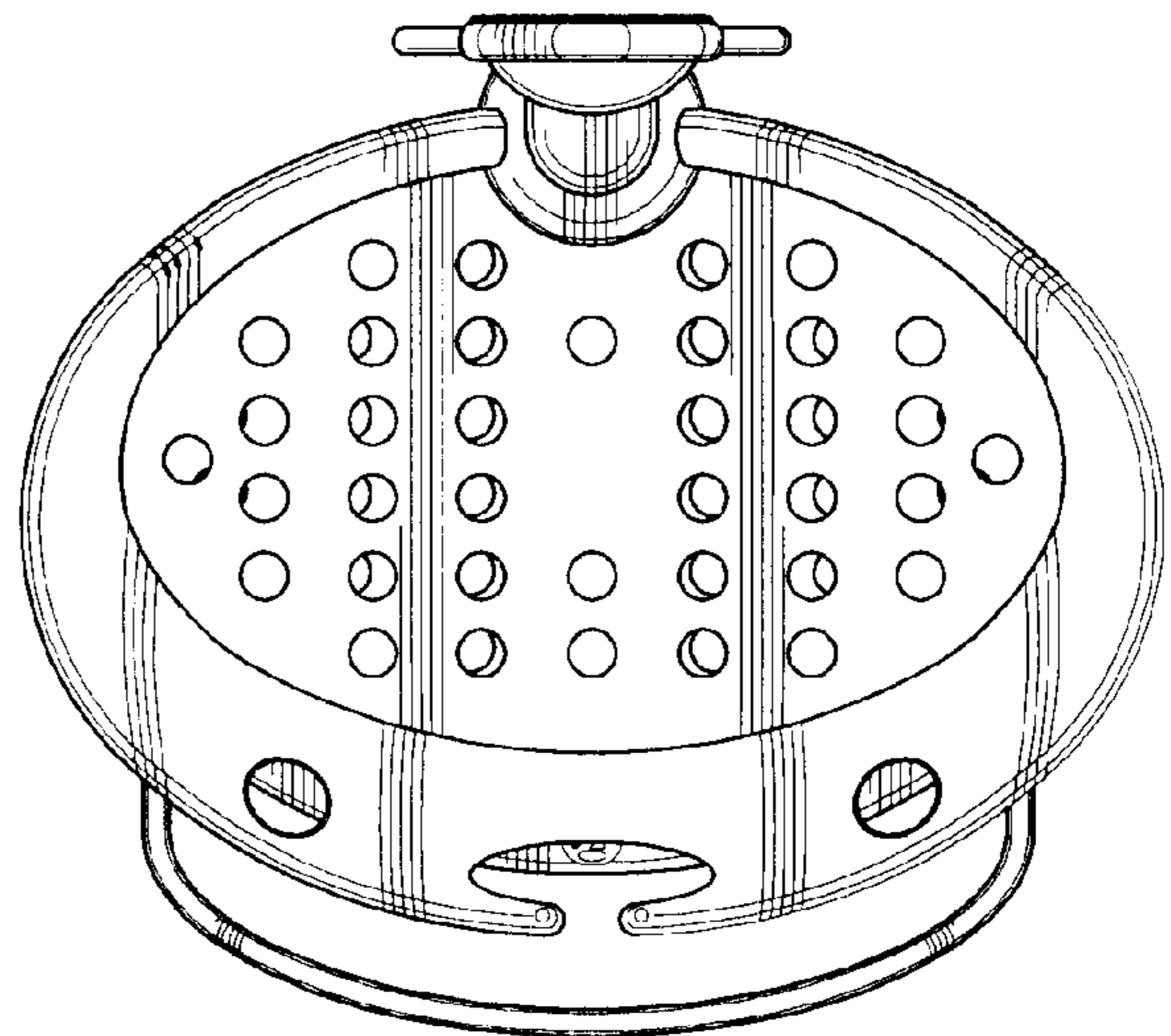


Fig-6