



US00D485103S

(12) **United States Design Patent**
Seehoff

(10) **Patent No.:** **US D485,103 S**

(45) **Date of Patent:** **** Jan. 13, 2004**

(54) **CLEANING ORGANIZER**

(76) **Inventor:** **Gary S. Seehoff**, 3701 Dellvale Pl.,
Encino, CA (US) 91436

(**) **Term:** **14 Years**

(21) **Appl. No.:** **29/172,342**

(22) **Filed:** **Dec. 10, 2002**

(51) **LOC (7) Cl.** **23-02**

(52) **U.S. Cl.** **D6/524; D6/551**

(58) **Field of Search** D6/551, 524, 525;
206/207, 209, 209.1, 349, 361, 362.2, 362.3,
15.2, 15.3; 312/206

(56) **References Cited**

U.S. PATENT DOCUMENTS

4,008,933	A	*	2/1977	Wanek	312/206
D272,874	S	*	3/1984	Cohen	D6/551
D297,292	S		8/1988	Plymale		
D341,973	S	*	12/1993	Gerstmar	D6/524 X
D413,470	S	*	9/1999	Burton	D6/551
D414,064	S	*	9/1999	Shafik	D6/551 X
6,038,709	A	*	3/2000	Kent	D6/551 X
D471,393	S	*	3/2003	Hutchinson	D6/551

* cited by examiner

Primary Examiner—Brian N. Vinson

(74) *Attorney, Agent, or Firm*—Blakely Sokoloff Taylor &
Zafman LLP

(57) **CLAIM**

The ornamental design for a “cleaning organizer”, as shown
and described.

DESCRIPTION

FIG. 1 is a front perspective view of a “cleaning organizer”
showing my new design.

FIG. 2 is a rear perspective view of the “cleaning organizer”
of FIG. 1.

FIG. 3 is a left side perspective view of the “cleaning
organizer” of FIG. 1.

FIG. 4 is a right side perspective view of the “cleaning
organizer” of FIG. 1.

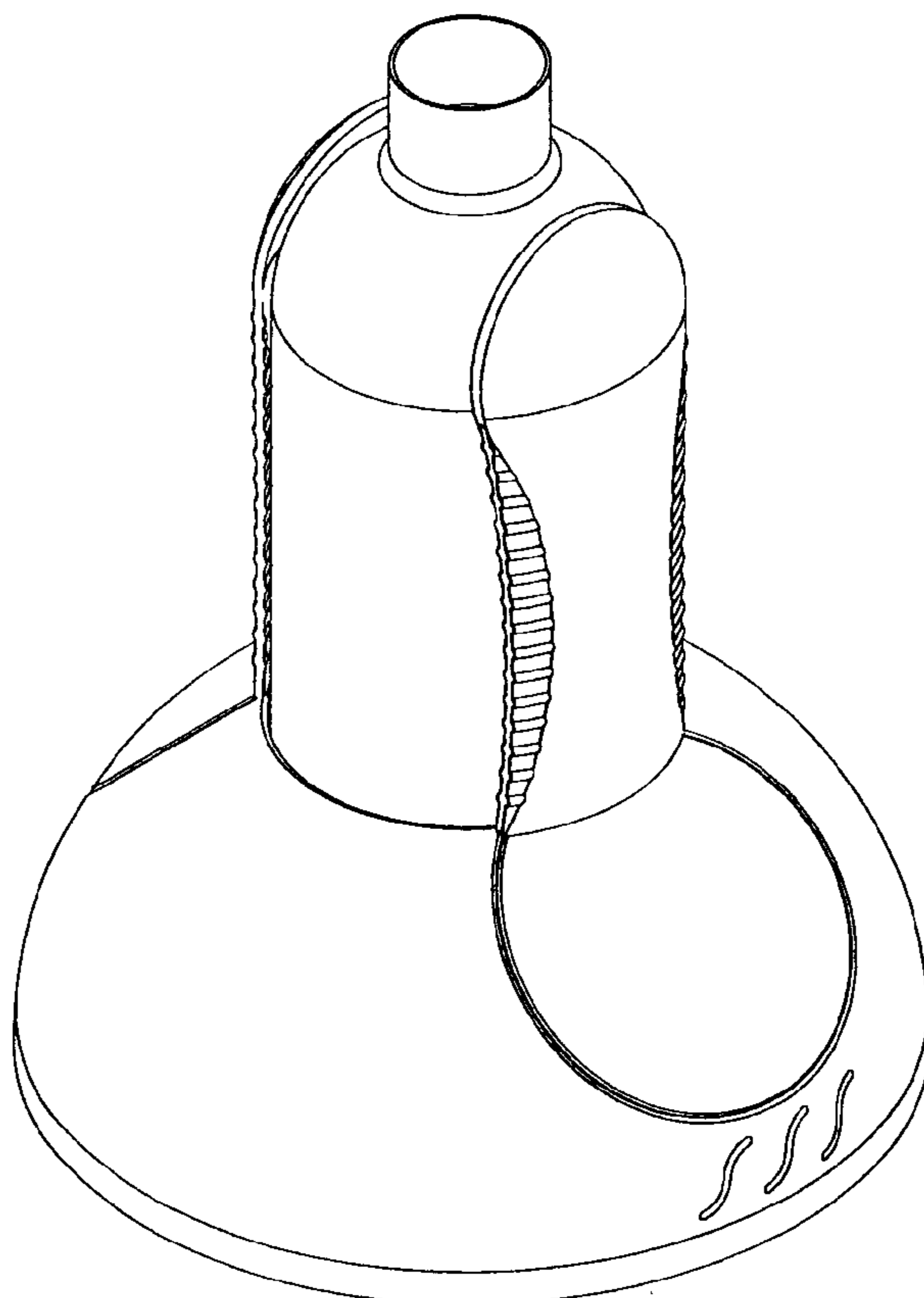
FIG. 5 is a top plan view of the “cleaning organizer” of FIG.
1.

FIG. 6 is a bottom plan view of the “cleaning organizer” of
FIG. 1.

FIG. 7 is a left side elevational view of the “cleaning
organizer” of FIG. 1; and,

FIG. 8 is a right side elevational view of the “cleaning
organizer” of FIG. 1.

1 Claim, 4 Drawing Sheets



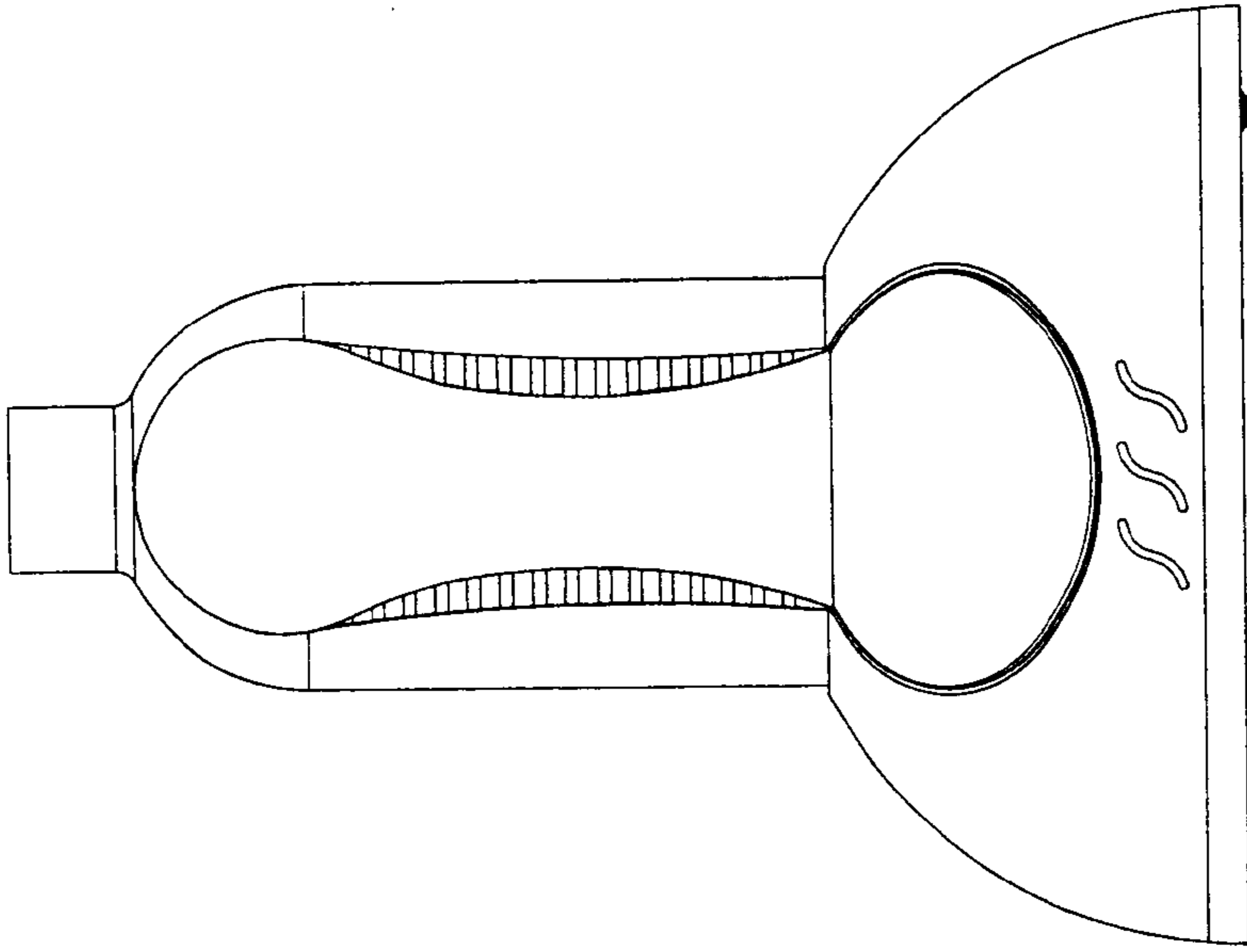


FIG. 2

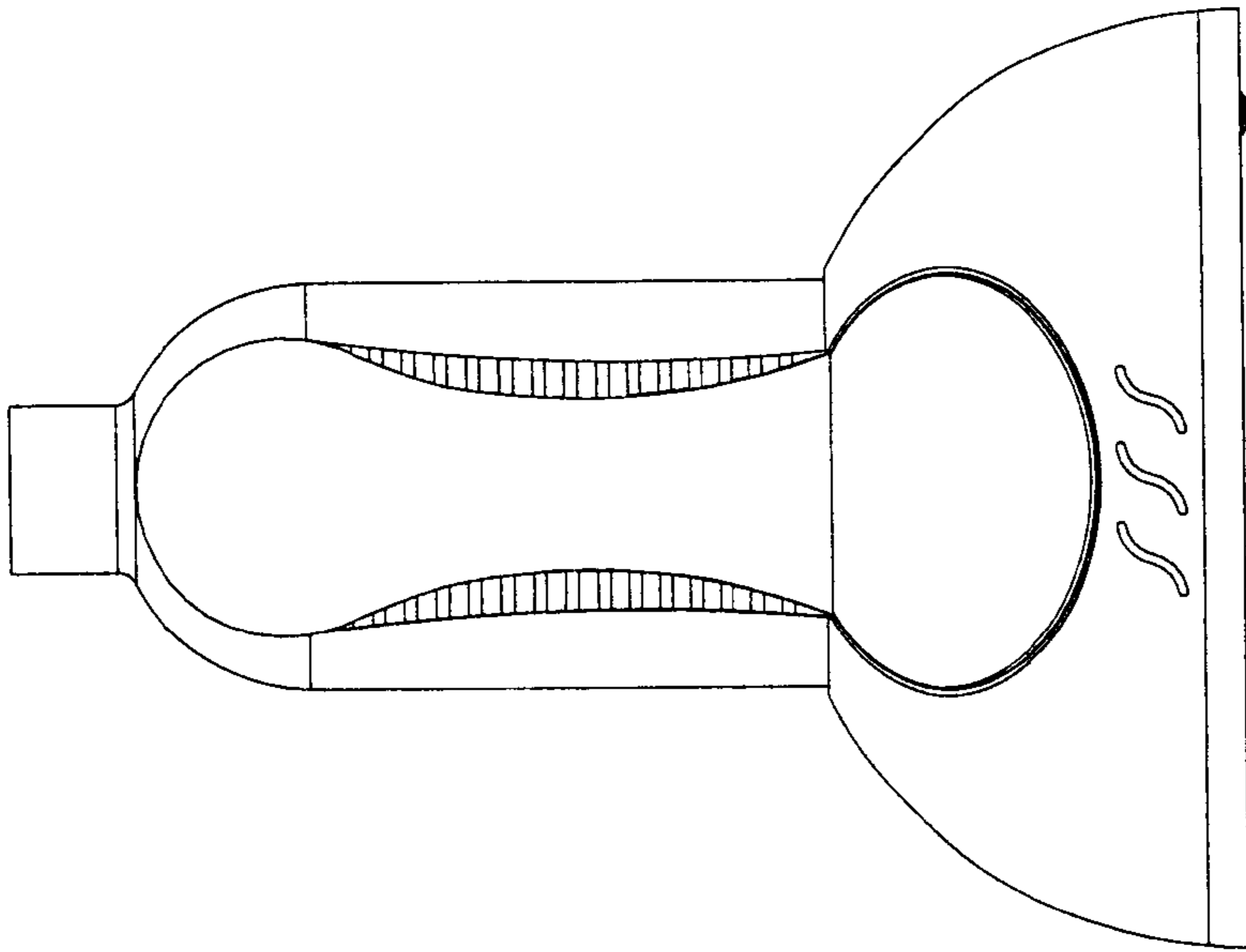


FIG. 1

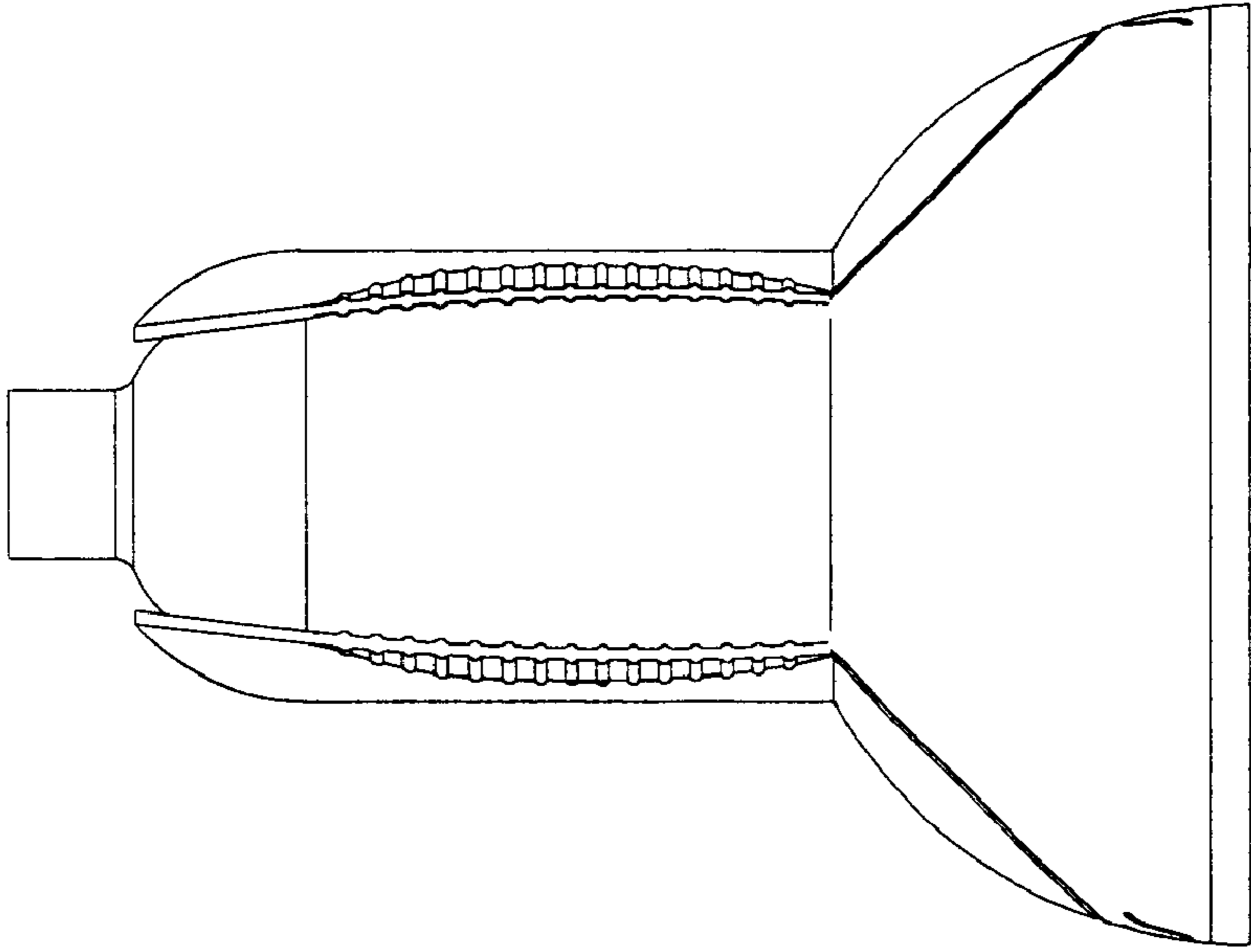


FIG. 3

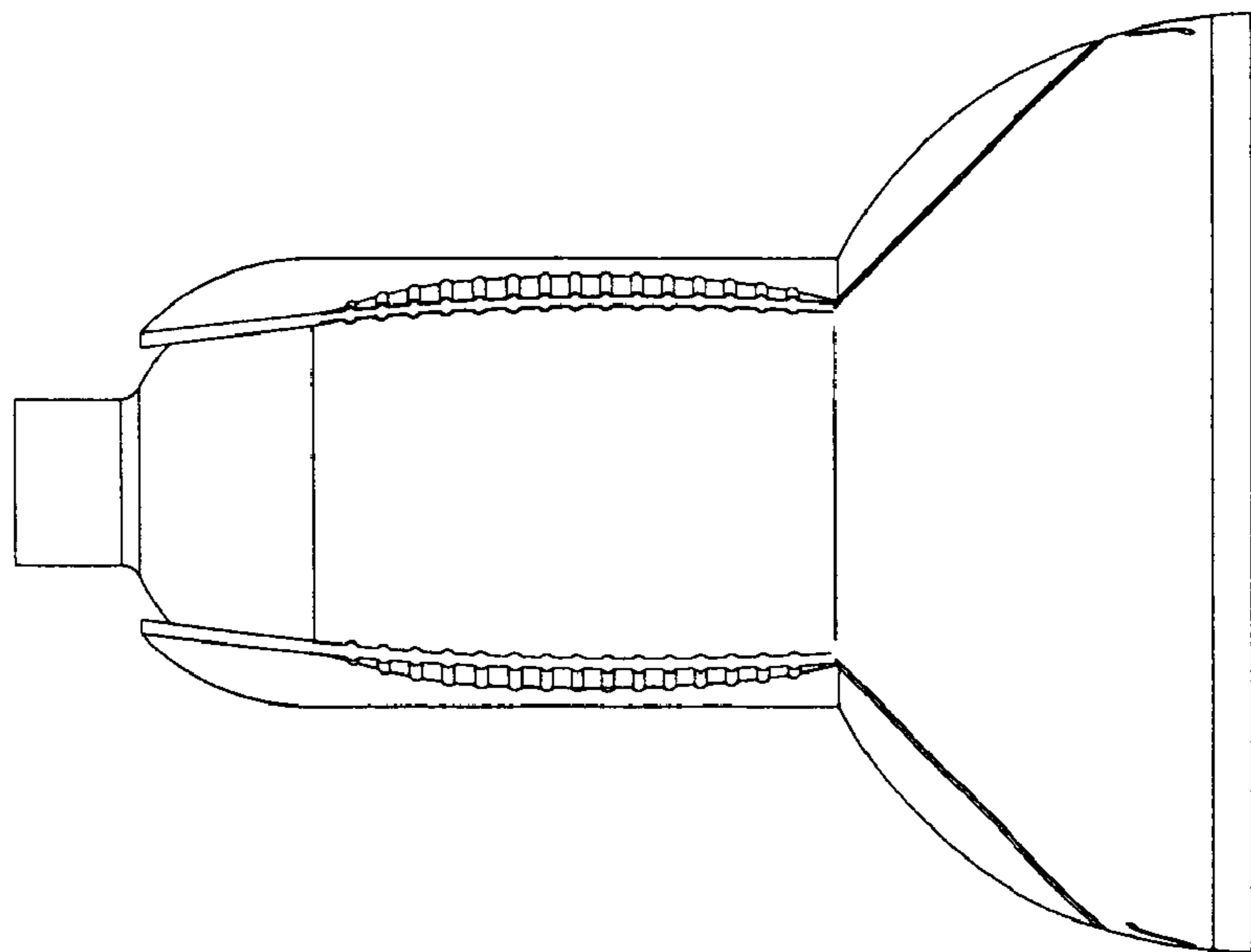


FIG. 4

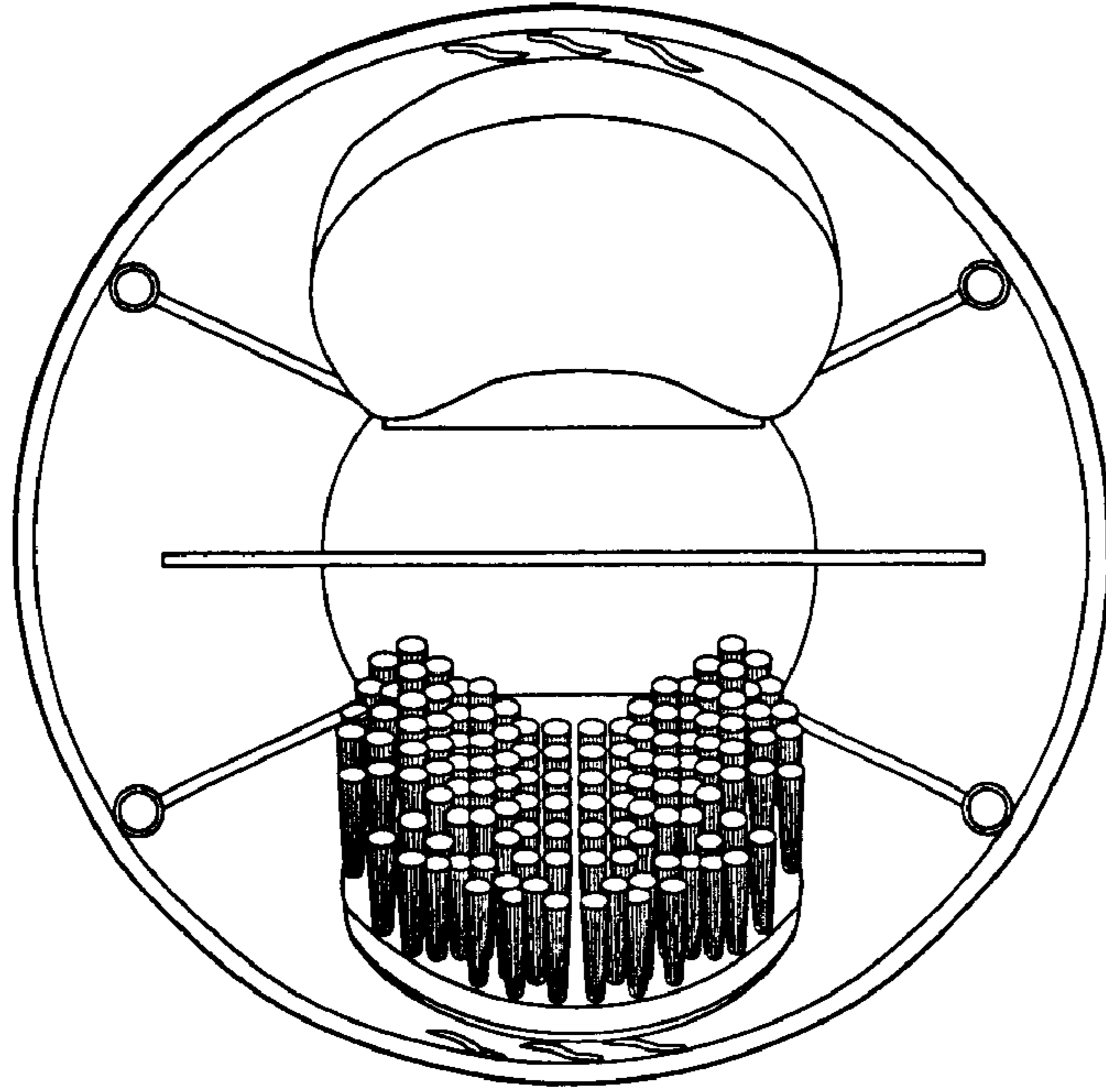


FIG. 6

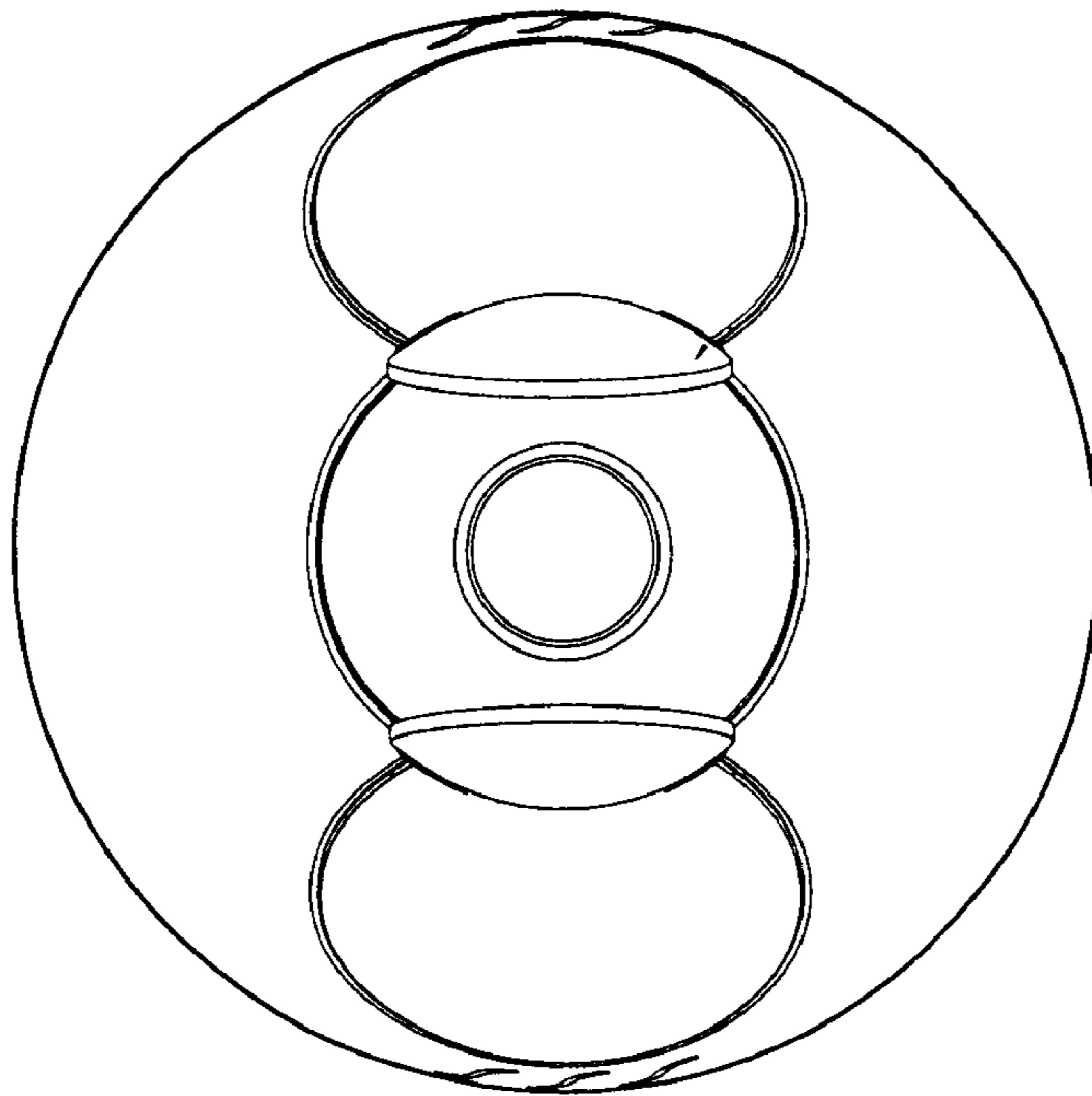


FIG. 5

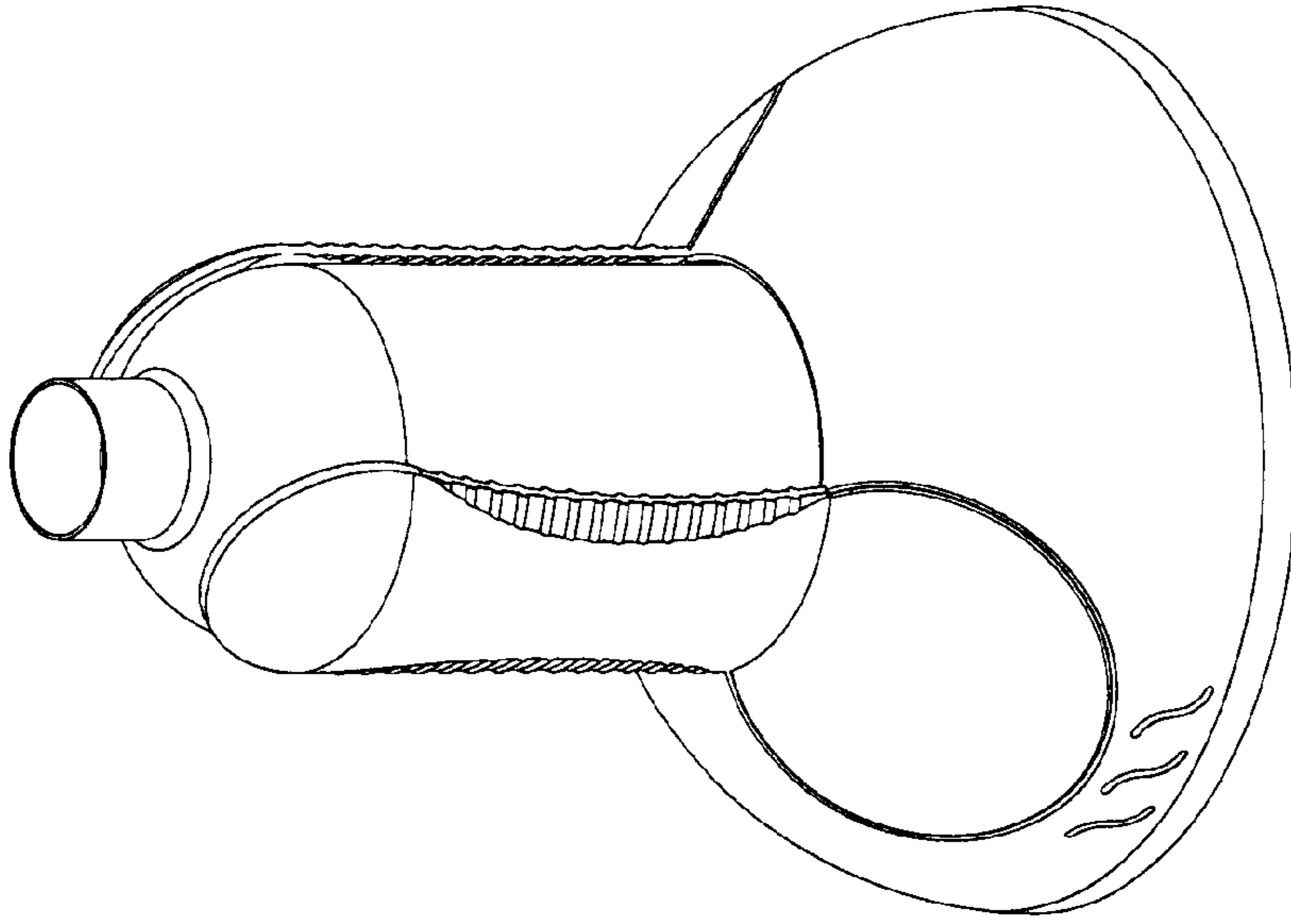


FIG. 8

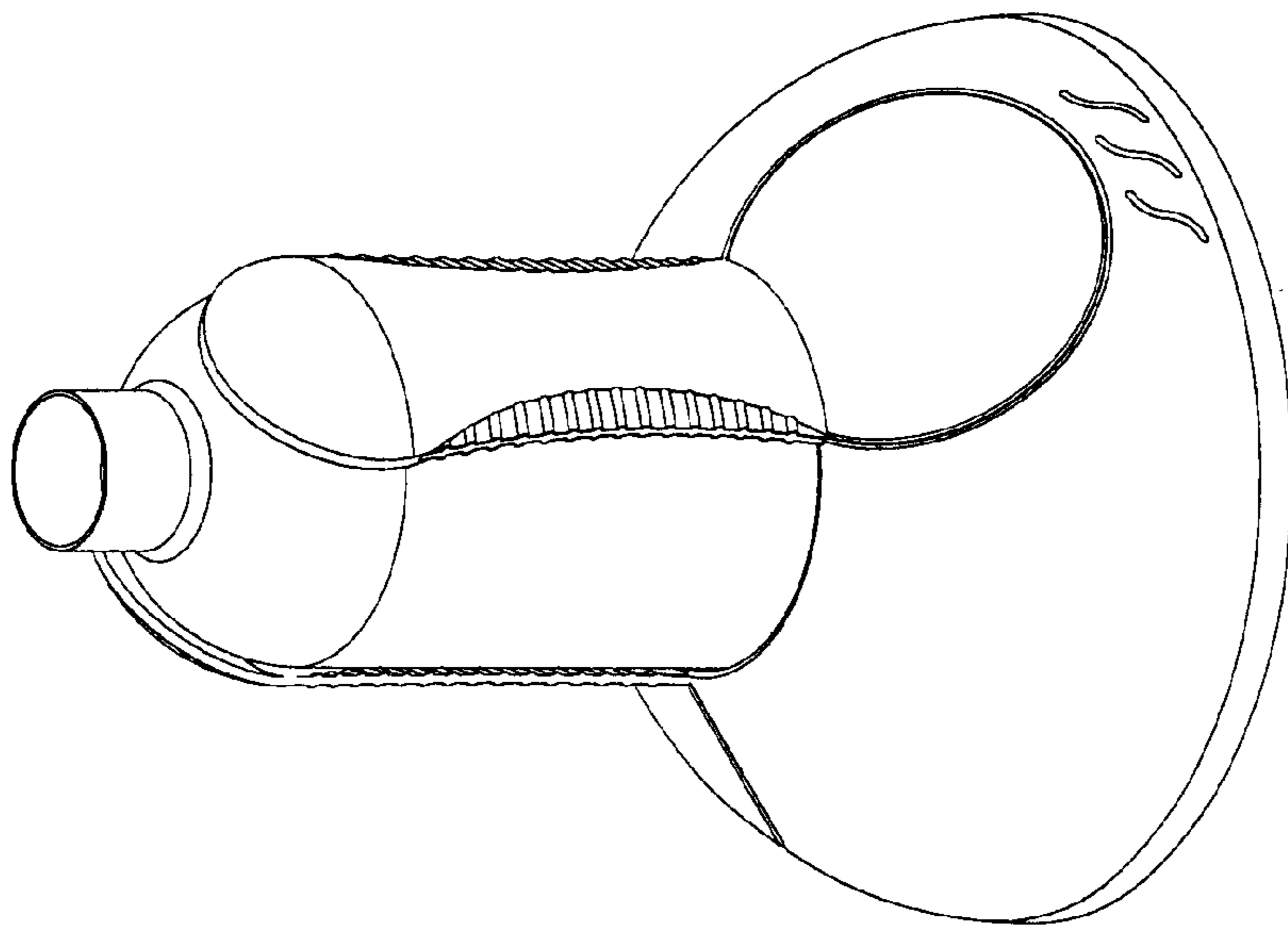


FIG. 7