



US00D485101S

(12) **United States Design Patent**
Strong

(10) **Patent No.:** **US D485,101 S**

(45) **Date of Patent:** **** Jan. 13, 2004**

- (54) **PORTION OF A TABLE TOP**
- (75) Inventor: **L. Curtis Strong**, Clearfield, UT (US)
- (73) Assignee: **Lifetime Products, Inc.**, Clearfield, UT (US)
- (**) Term: **14 Years**
- (21) Appl. No.: **29/185,857**
- (22) Filed: **Jul. 3, 2003**

4,248,161 A	2/1981	Adair et al.	
D353,286 S	* 12/1994	Hand	D6/480
D355,091 S	2/1995	Green et al.	
D358,954 S	* 6/1995	Leduc	D6/480
D366,781 S	2/1996	Cartwright	
5,603,267 A	2/1997	Soper	
5,644,994 A	7/1997	Liang et al.	
6,019,050 A	2/2000	Ranta	
D452,626 S	1/2002	Petri	
D452,787 S	1/2002	Petri	
6,401,630 B1	* 6/2002	Peterson	108/115 X
D470,352 S	* 2/2003	Strong	D6/511

Related U.S. Application Data

- (62) Division of application No. 10/340,018, filed on Jan. 9, 2003.
- (51) **LOC (7) Cl.** **06-06**
- (52) **U.S. Cl.** **D6/511**
- (58) **Field of Search** D6/480-489, 511, D6/429, 422; 108/150, 153.1, 155, 156, 157.1, 157.15, 159.12, 161, 27, 115, 117, 118, 120; 312/140.3, 140.2

OTHER PUBLICATIONS

Mosaic, Gonluck Co., c2000, p. 3, profile edge in center.

* cited by examiner

Primary Examiner—Janice E. Seeger

(74) *Attorney, Agent, or Firm*—Workman Nydegger

CLAIM

(57) The ornamental design for a portion of a table top, as shown and described.

References Cited

U.S. PATENT DOCUMENTS

2,857,228 A	10/1958	Koett
2,879,118 A	3/1959	Kolb
3,108,550 A	10/1963	Knoblock
3,247,811 A	4/1966	Bauder
3,906,848 A	9/1975	Gow
3,954,068 A	5/1976	Roberts et al.
4,099,469 A	7/1978	Sahli
4,105,271 A	8/1978	Sebel et al.
4,196,675 A	4/1980	Cook

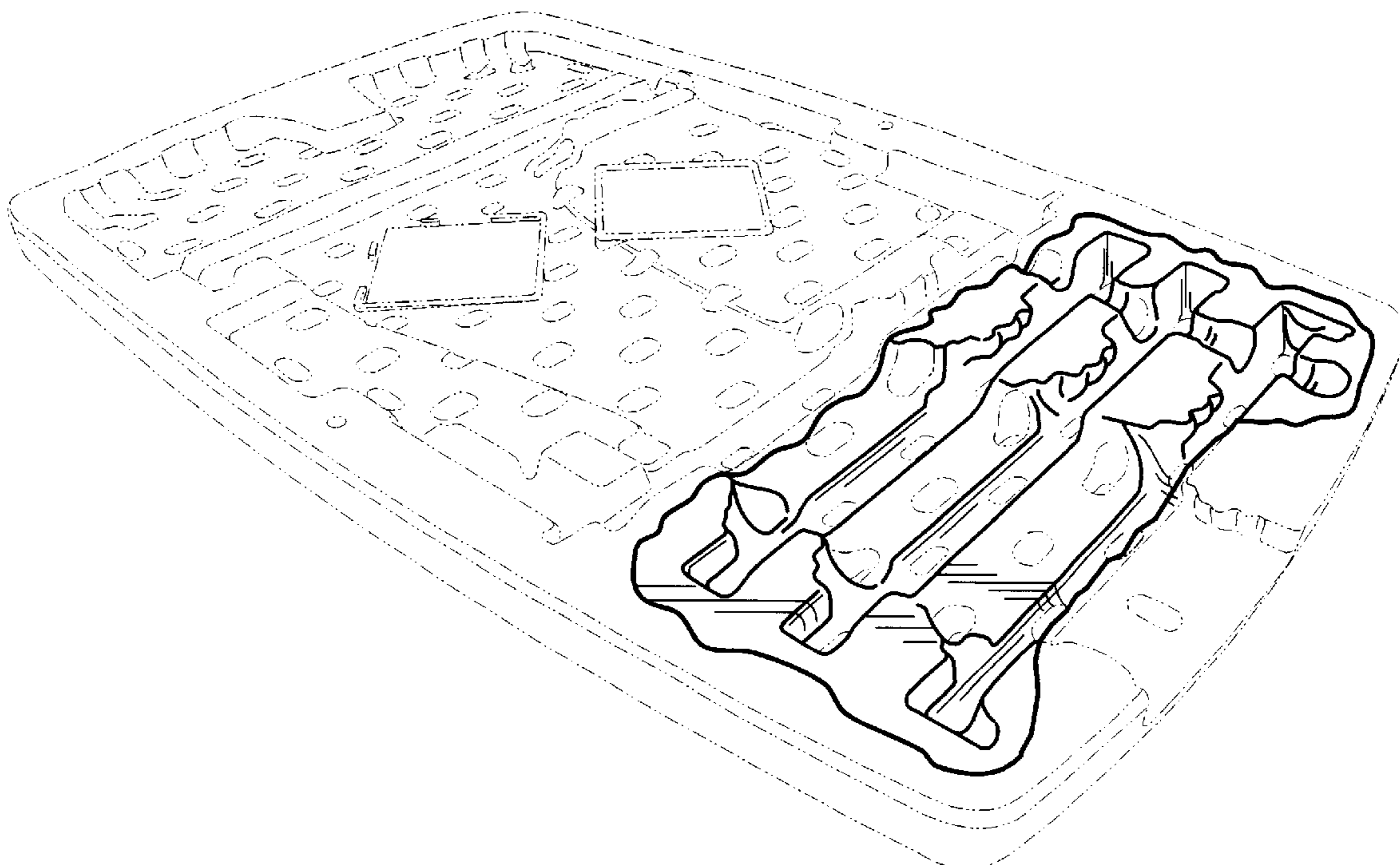
DESCRIPTION

FIG. 1 is a upper perspective view of a portion of a table top in accordance with a preferred embodiment of the present invention;

FIG. 2 is a lower perspective view of the table top shown in FIG. 1; and,

FIG. 3 is a top view of the table top shown in FIG. 1. The broken lines shown in the figures are for illustrative purposes only and form no part of the claimed design.

1 Claim, 2 Drawing Sheets



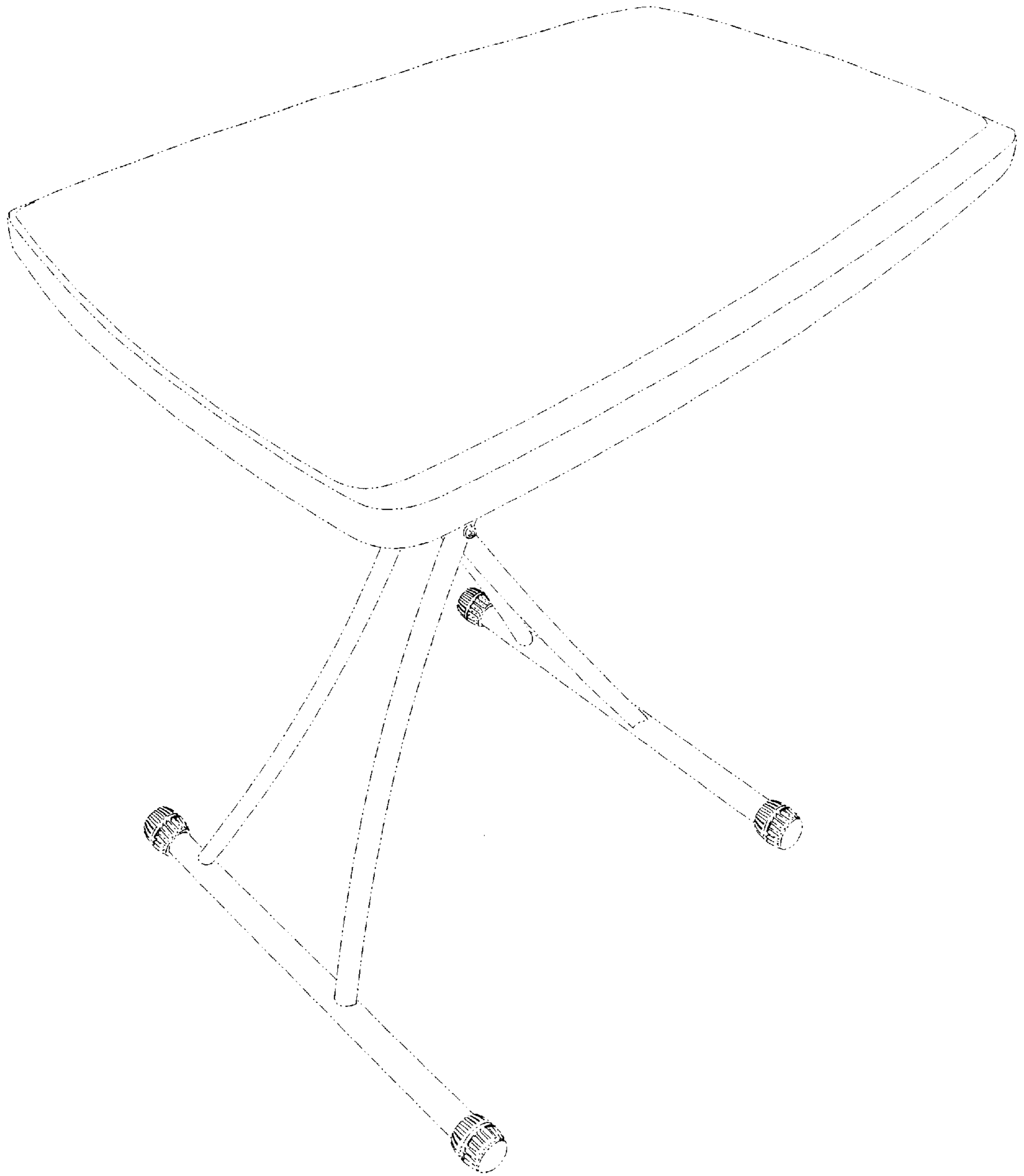


Fig. 1

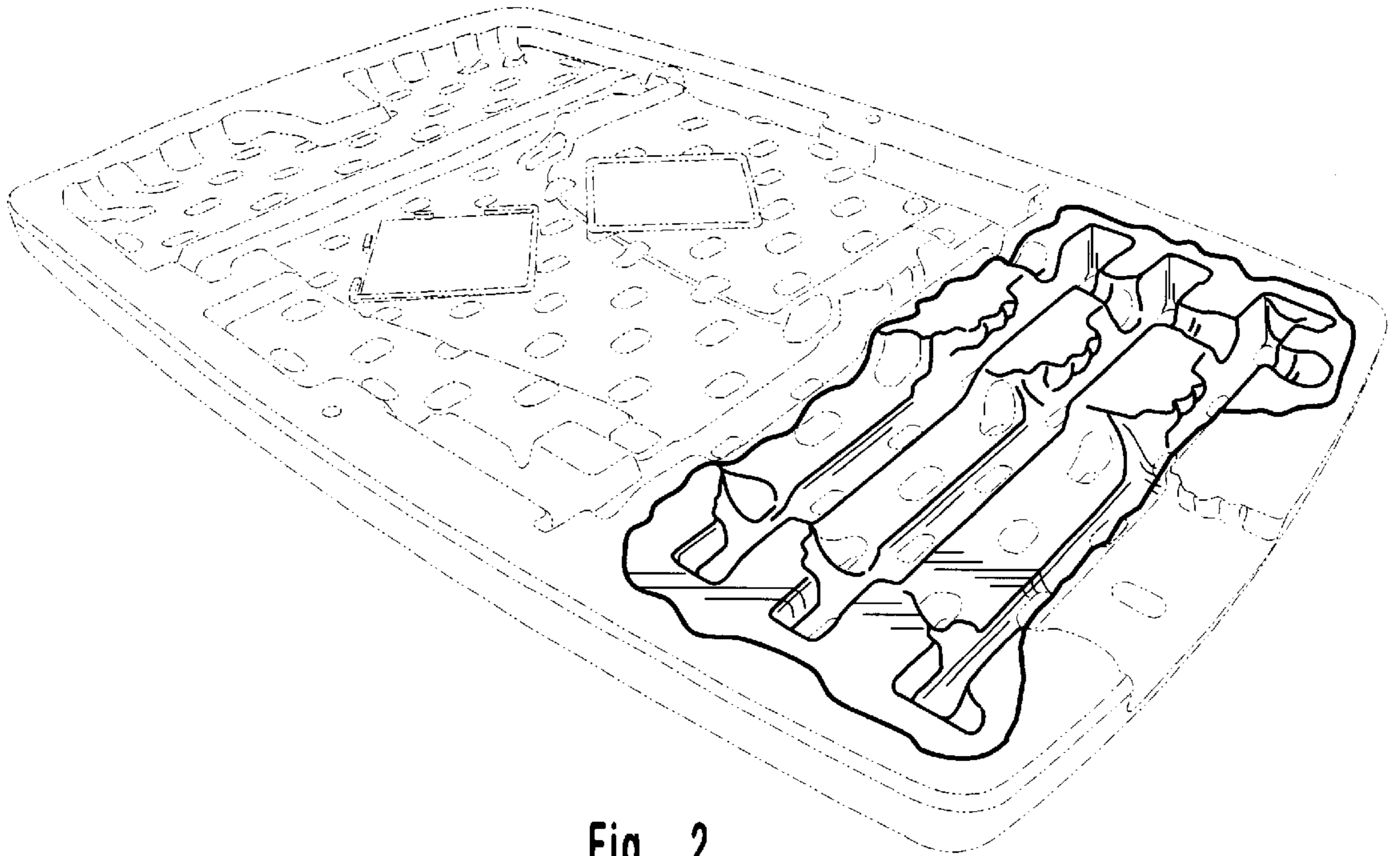


Fig. 2

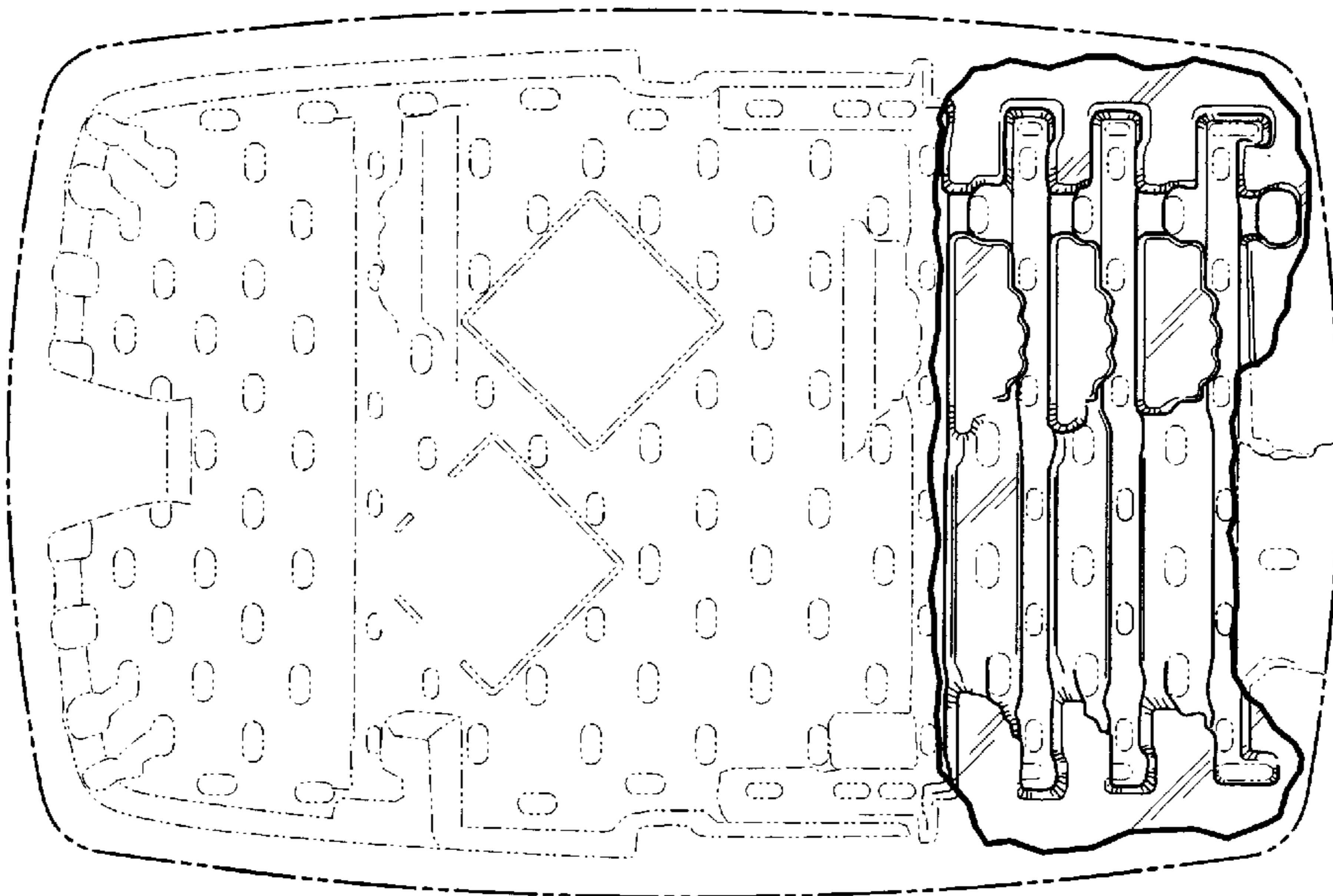


Fig. 3