



US00D485100S

(12) **United States Design Patent**  
**Ashby et al.**

(10) **Patent No.:** **US D485,100 S**  
(45) **Date of Patent:** **\*\* Jan. 13, 2004**

(54) **PORTION OF A TABLE TOP**

(75) Inventors: **Kent Ashby**, Logan, UT (US); **Jay Jones**, Clearfield, UT (US); **L. Curtis Strong**, Clearfield, UT (US); **Brandon Smith**, Ogden, UT (US)

(73) Assignee: **Lifetime Products, Inc.**, Clearfield, UT (US)

(\*\*) Term: **14 Years**

(21) Appl. No.: **29/176,792**

(22) Filed: **Feb. 26, 2003**

(51) **LOC (7) Cl.** ..... **06-06**

(52) **U.S. Cl.** ..... **D6/511**

(58) **Field of Search** ..... D6/480-489, 511,  
D6/422, 491, 429-431; 108/150, 153.1,  
155, 156, 157.1, 161, 50.01, 50.02; 312/140.3,  
140.2

(56) **References Cited**

**U.S. PATENT DOCUMENTS**

D353,286 S \* 12/1994 Hand ..... D6/480  
D355,091 S \* 2/1995 Green et al. .... D6/511

D358,954 S \* 6/1995 Leduc ..... D6/480  
D452,626 S \* 1/2002 Petri ..... D6/511  
D452,787 S \* 1/2002 Petri ..... D6/511  
D469,996 S \* 2/2003 Ashby ..... D6/511  
D470,352 S \* 2/2003 Strong ..... D6/511

\* cited by examiner

*Primary Examiner*—Janice E. Seeger

(74) *Attorney, Agent, or Firm*—Workman Nydegger

(57) **CLAIM**

The ornamental design for a portion of a table top, as shown and described.

**DESCRIPTION**

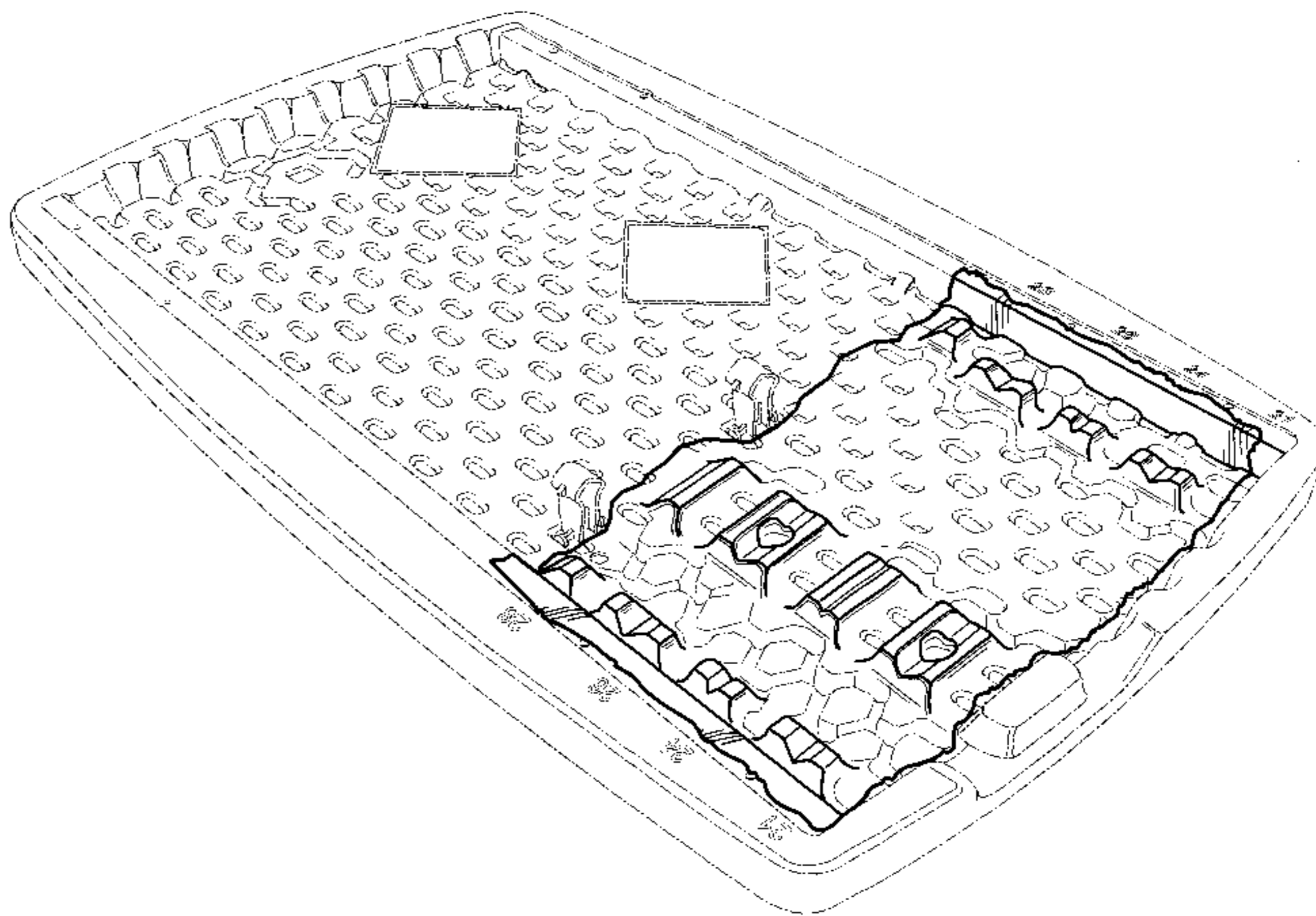
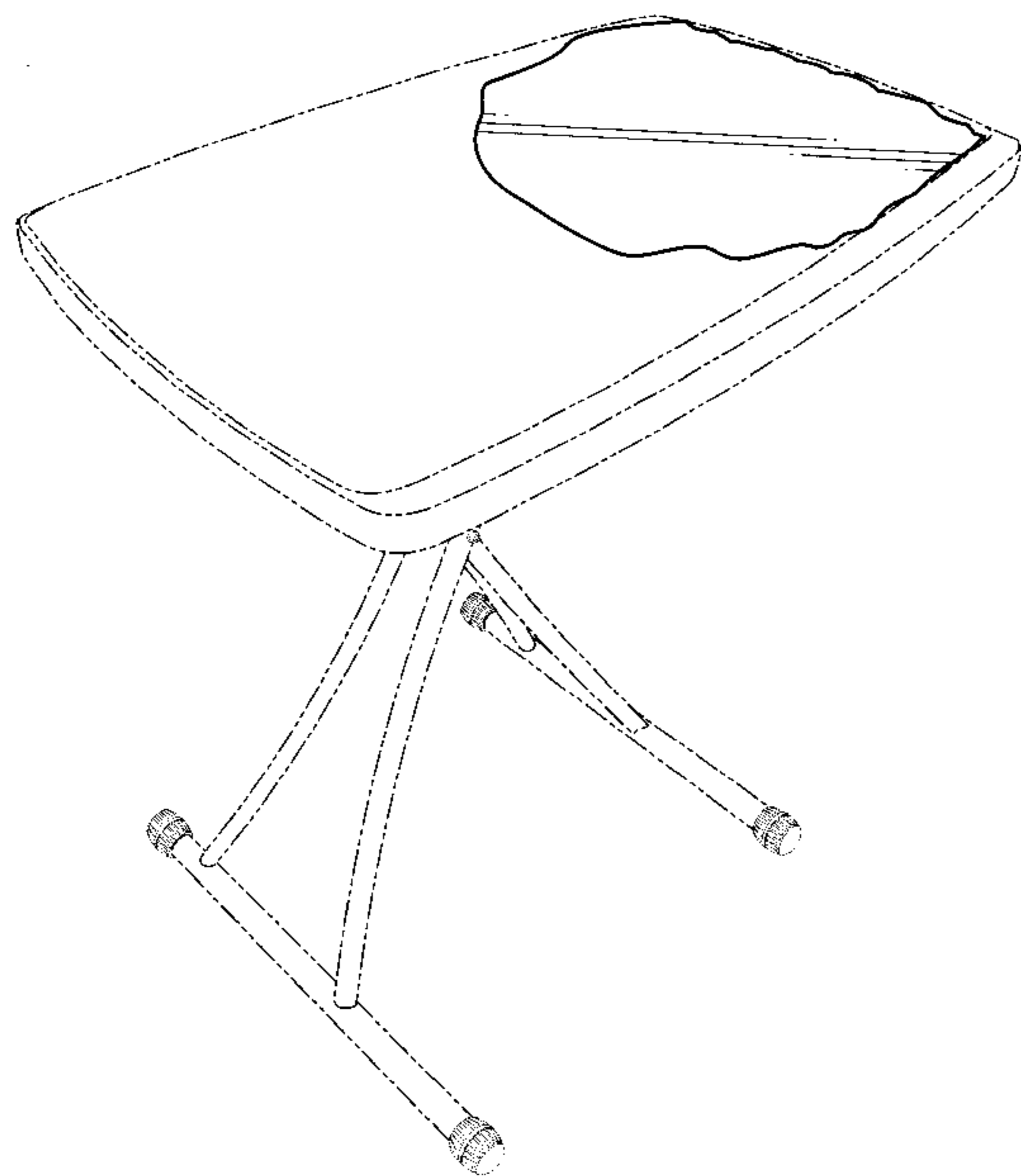
FIG. 1 is a top perspective view of a portion of a table top; FIG. 2 is a bottom perspective view of the portion of a table top shown in FIG. 1;

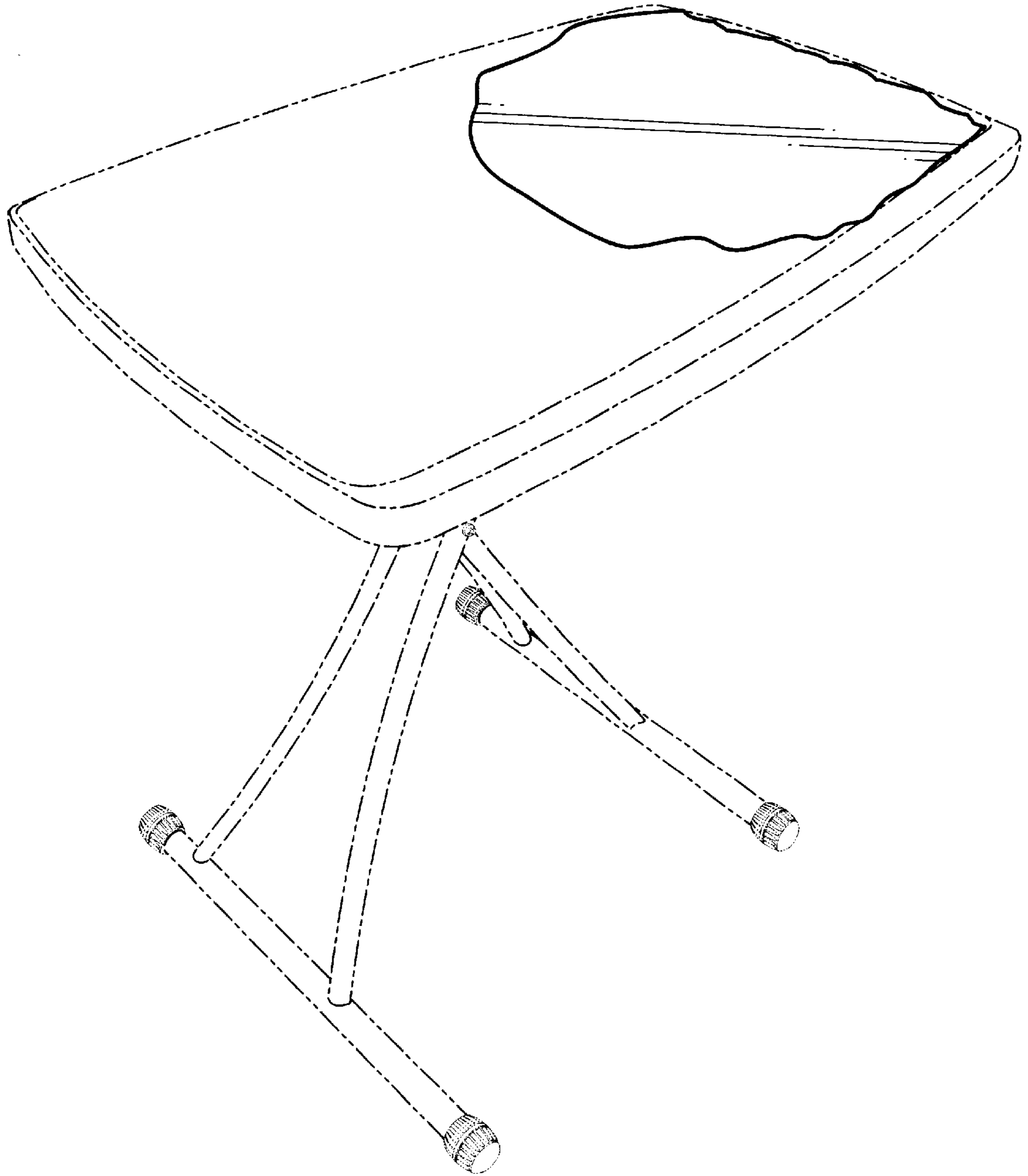
FIG. 3 is a bottom view of the portion of a table top shown in FIG. 1; and,

FIG. 4 is a top view of the portion of a table top shown in FIG. 1.

The broken lines are for illustrative purposes only and form no part of the claimed design.

**1 Claim, 4 Drawing Sheets**





**Fig. 1**

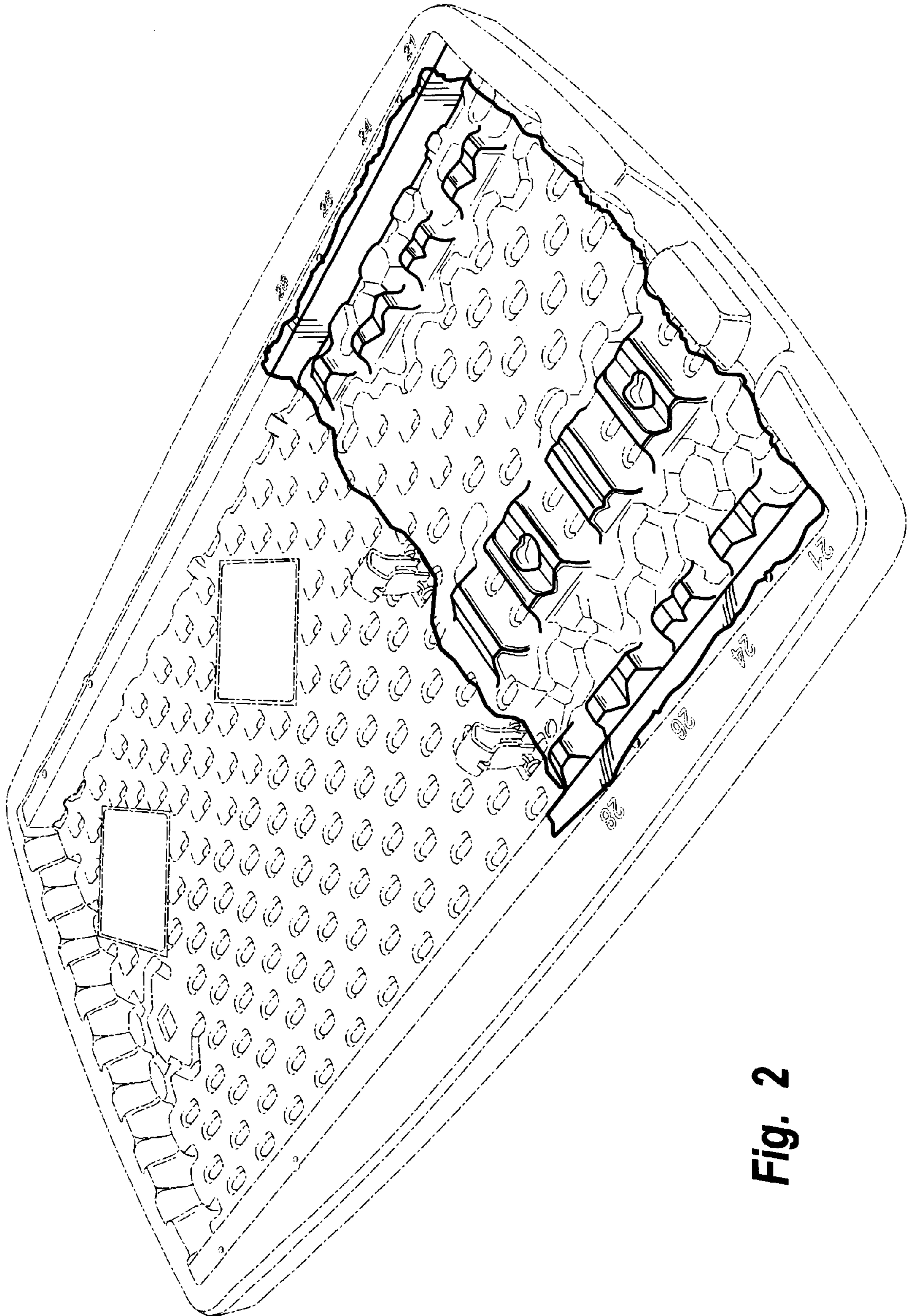


Fig. 2

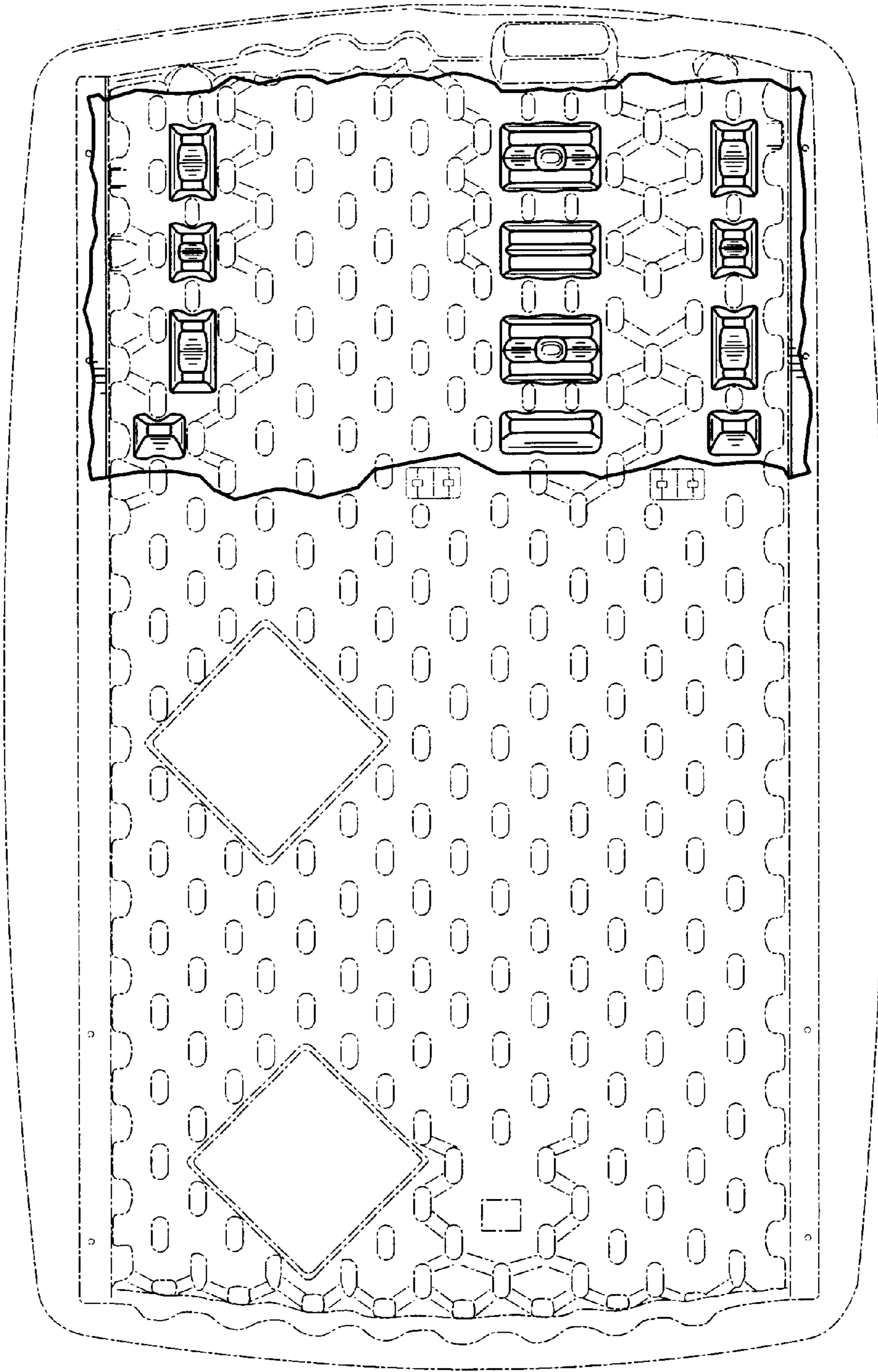
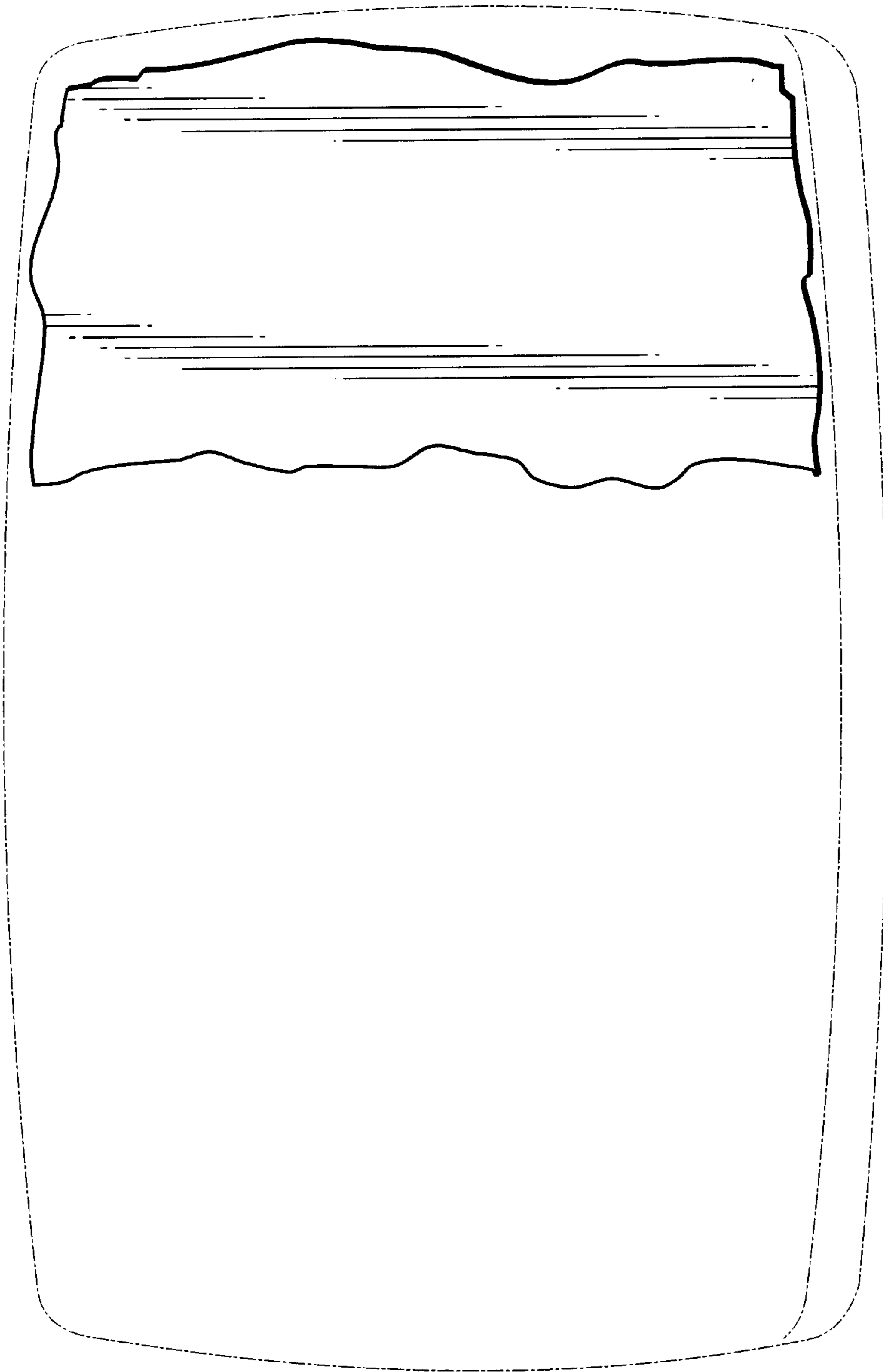


Fig. 3



**Fig. 4**

UNITED STATES PATENT AND TRADEMARK OFFICE  
**CERTIFICATE OF CORRECTION**

PATENT NO. : Des. 485,100 S  
DATED : January 13, 2004  
INVENTOR(S) : Ashby et al.

Page 1 of 1

It is certified that error appears in the above-identified patent and that said Letters Patent is hereby corrected as shown below:

Title page.

Item [75], Inventors, please remove the following:

“**Kent Ashby**, Logan, UT (US); **Jay Jones**, Clearfield, UT (US); **Brandon Smith**, Ogden, UT (US)”; and please add the following: -- **Thayne B. Haney**, Syracuse, UT (US) --

Signed and Sealed this

Twentieth Day of July, 2004

A handwritten signature in black ink that reads "Jon W. Dudas". The signature is written in a cursive style with a large, looped initial "J".

---

JON W. DUDAS

*Acting Director of the United States Patent and Trademark Office*