



US00D485099S

(12) **United States Design Patent**
Wood et al.

(10) **Patent No.: US D485,099 S**

(45) **Date of Patent: ** Jan. 13, 2004**

(54) **SYMMETRICAL SHELF LEG**

5,862,923 A * 1/1999 Nordquist et al. 211/59.2
D467,451 S * 12/2002 High D6/492
6,523,702 B1 * 2/2003 Primiano et al. 211/59.2

(75) Inventors: **George W. Wood**, Minneapolis, MN
(US); **Robert A. Schweitzer**,
Minnetonka, MN (US)

FOREIGN PATENT DOCUMENTS

(73) Assignee: **Lockermate Corporation**, Minneapolis,
MN (US)

GB 178984 5/1922

(**) Term: **14 Years**

* cited by examiner

Primary Examiner—Cathron C. Brooks

(21) Appl. No.: **29/159,859**

(57) **CLAIM**

(22) Filed: **Apr. 30, 2002**

The ornamental design for a symmetrical shelf leg, as shown and described.

(51) **LOC (7) Cl.** **06-06**

DESCRIPTION

(52) **U.S. Cl.** **D6/511; D8/381**

(58) **Field of Search** D6/332, 329, 396–398,
D6/400, 418, 432, 447, 491, 492, 509,
511; D8/349, 354, 381; 52/205, 239, 582.1;
108/106, 107, 144.11, 147.11, 147.17; 312/245,
246, 349

FIG. 1 is a perspective view of a symmetrical shelf leg of our new design;

FIG. 2 is a front elevational view thereof, the rear elevational view being a mirror image thereof;

FIG. 3 is a top plan view thereof, the bottom plan view being a mirror image thereof; and,

FIG. 4 is a side elevational view thereof, the opposite side elevational view being a mirror image thereof.

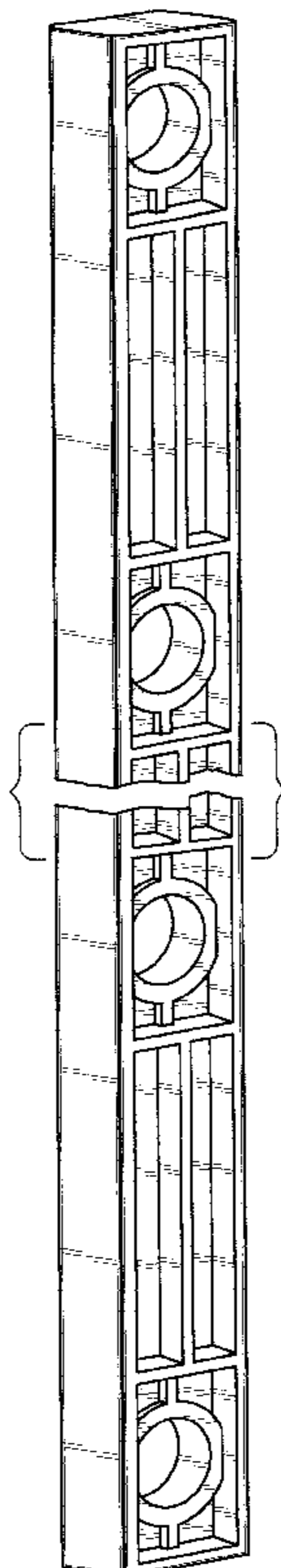
(56) **References Cited**

U.S. PATENT DOCUMENTS

332,238 A 12/1885 Denton
2,346,430 A 4/1944 Hauser
3,993,002 A 11/1976 Stroh
4,478,337 A 10/1984 Flum
4,500,146 A 2/1985 Peterson
D290,670 S * 7/1987 Nathan et al. D6/511
5,219,406 A * 6/1993 Raz 52/239 X

The design is shown broken at its center so that it could be shown at a sufficient scale and still fit on the page. It is understood that the center section of the design that is shown broken at its middle is identical in appearance to the other two rectangular sections that are located near the ends of the design.

1 Claim, 2 Drawing Sheets



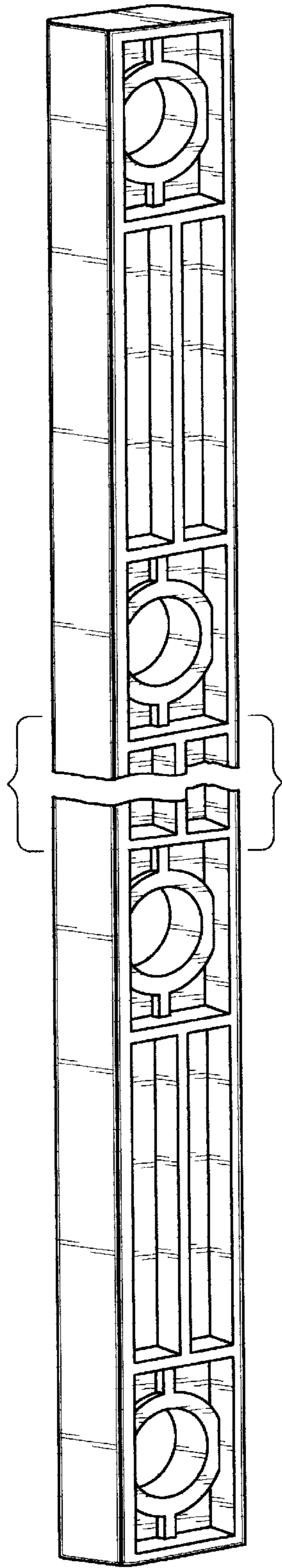


FIG. 1

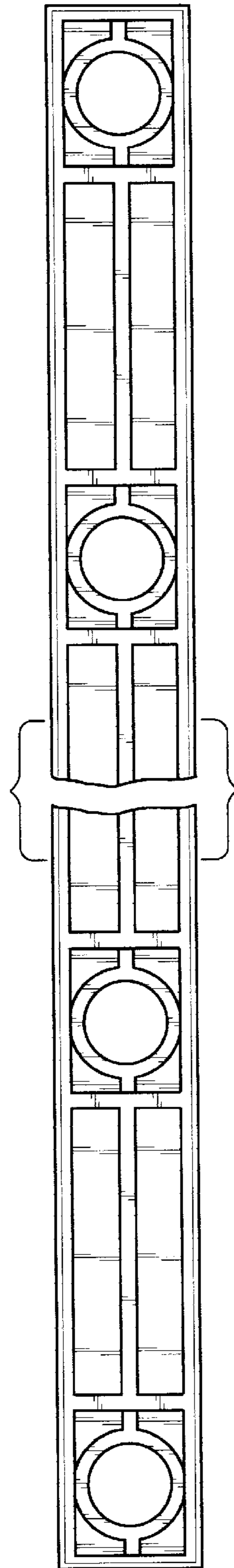


FIG. 2



FIG. 3

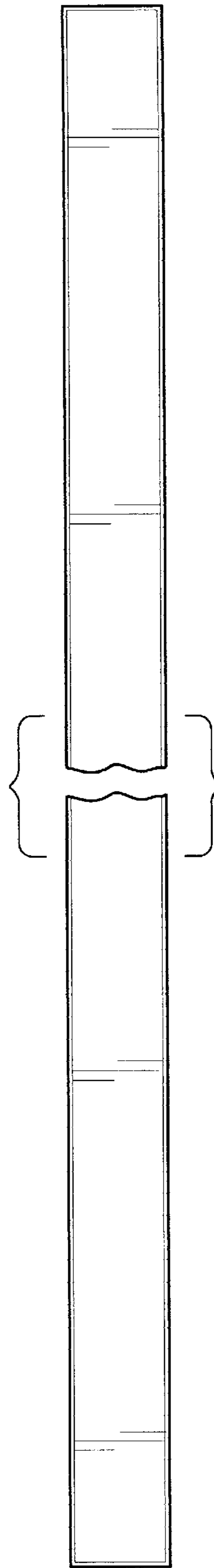


FIG. 4