



US00D485098S

(12) **United States Design Patent**
Harris

(10) **Patent No.:** **US D485,098 S**

(45) **Date of Patent:** **** Jan. 13, 2004**

(54) **DRAWER UNIT**

(75) Inventor: **Charles C. Harris**, High Point, NC
(US)

(73) Assignee: **Palliser Furniture Ltd. (CA)**

(**) Term: **14 Years**

(21) Appl. No.: **29/166,608**

(22) Filed: **Aug. 30, 2002**

(51) **LOC (7) Cl.** **06-06**

(52) **U.S. Cl.** **D6/510; D6/446**

(58) **Field of Search** **D6/446, 436-439,**
D6/432, 445; 312/114, 204, 224, 278, 348.4

(56) **References Cited**

U.S. PATENT DOCUMENTS

D163,851 S	*	7/1951	Carr	D6/446
D414,351 S	*	9/1999	Tabbia	D6/445
D441,570 S	*	5/2001	Draheim et al.	D6/446
D459,111 S	*	6/2002	Tobin, Jr.	D6/446
D462,540 S	*	9/2002	Lenger	D6/441
D465,105 S	*	11/2002	Tobin, Jr.	D6/446

* cited by examiner

Primary Examiner—Cathron C. Brooks

(74) *Attorney, Agent, or Firm*—Michael Best & Friedrich LLP

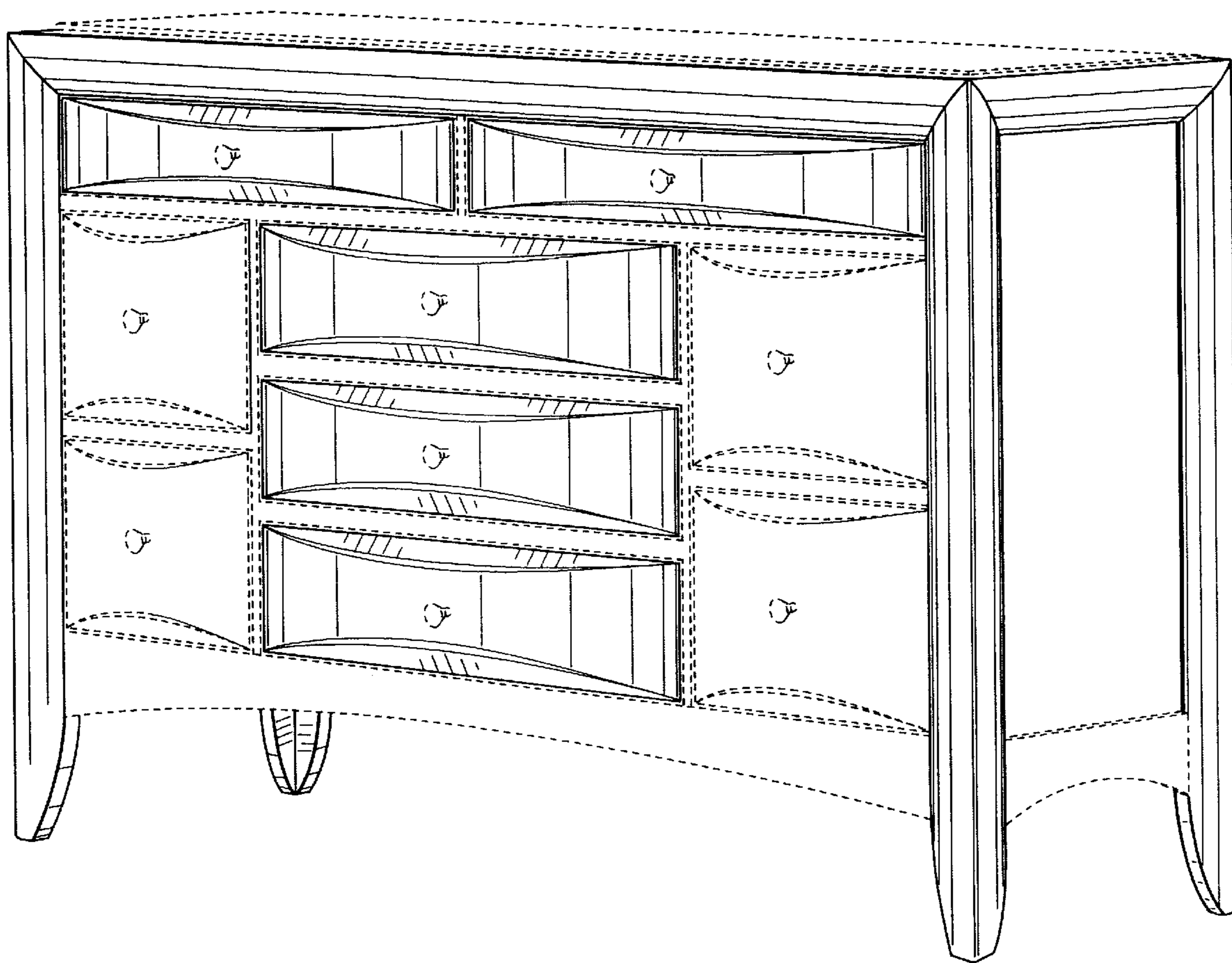
(57) **CLAIM**

The ornamental design for a drawer unit, as shown and described.

DESCRIPTION

FIG. 1 is a front, right side perspective view of my design; the front, left side perspective view is a mirror image; FIG. 2 is front view of the drawer unit of FIG. 1; FIG. 3 is a top plan view of the drawer unit of FIG. 1; FIG. 4 is a left side elevational view of the drawer unit of FIG. 1; FIG. 5 is an enlarged cross-section view at 5—5 in FIG. 1; FIG. 6 is a right side elevational view of the drawer unit of FIG. 1; FIG. 7 is a cross-sectional view at 7—7 in FIG. 2; and, FIG. 8 is a cross-sectional view at 8—8 in FIG. 4. The features shown in broken lines are for illustrative purposes only and form no part of the claimed design.

1 Claim, 4 Drawing Sheets



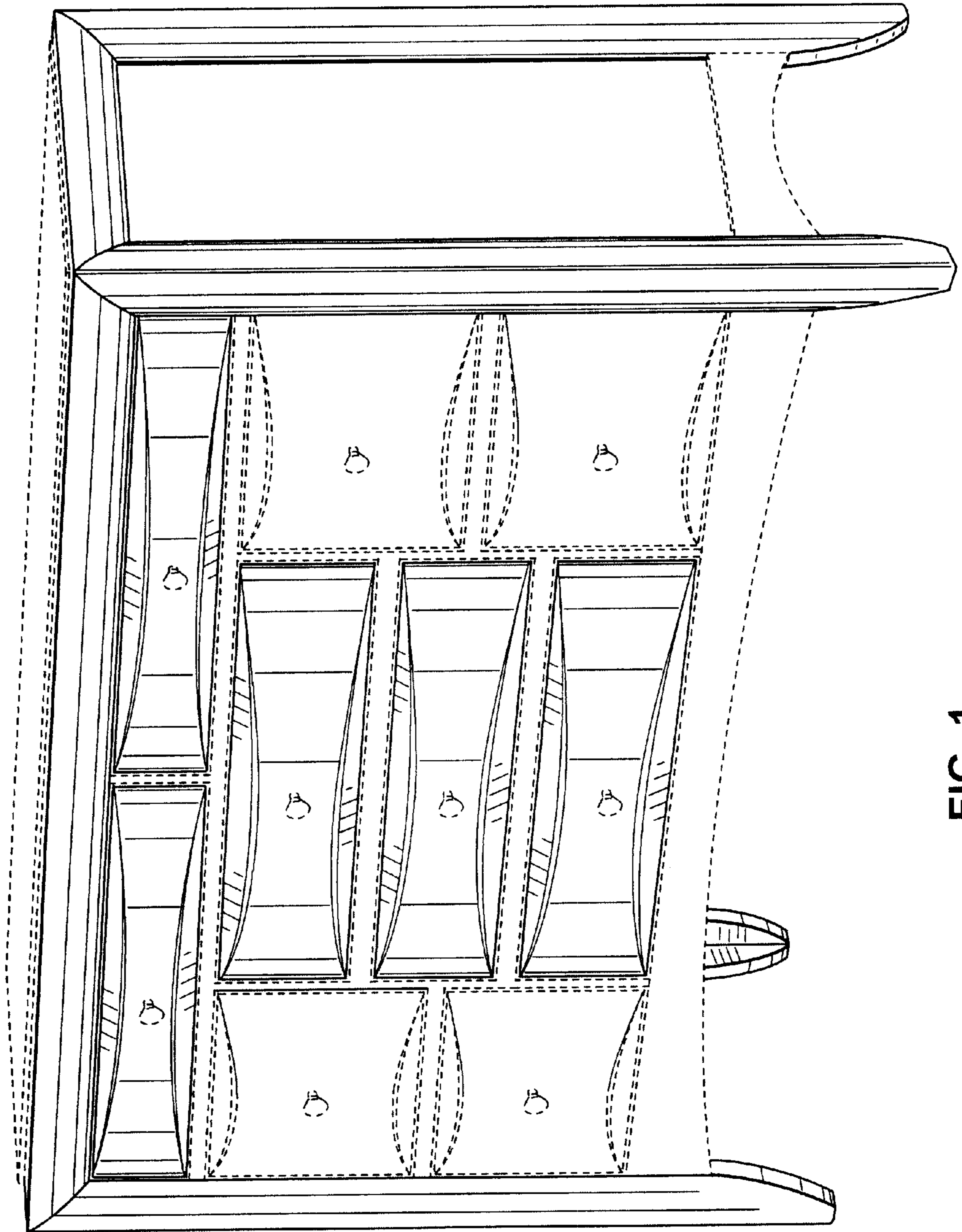


FIG. 1

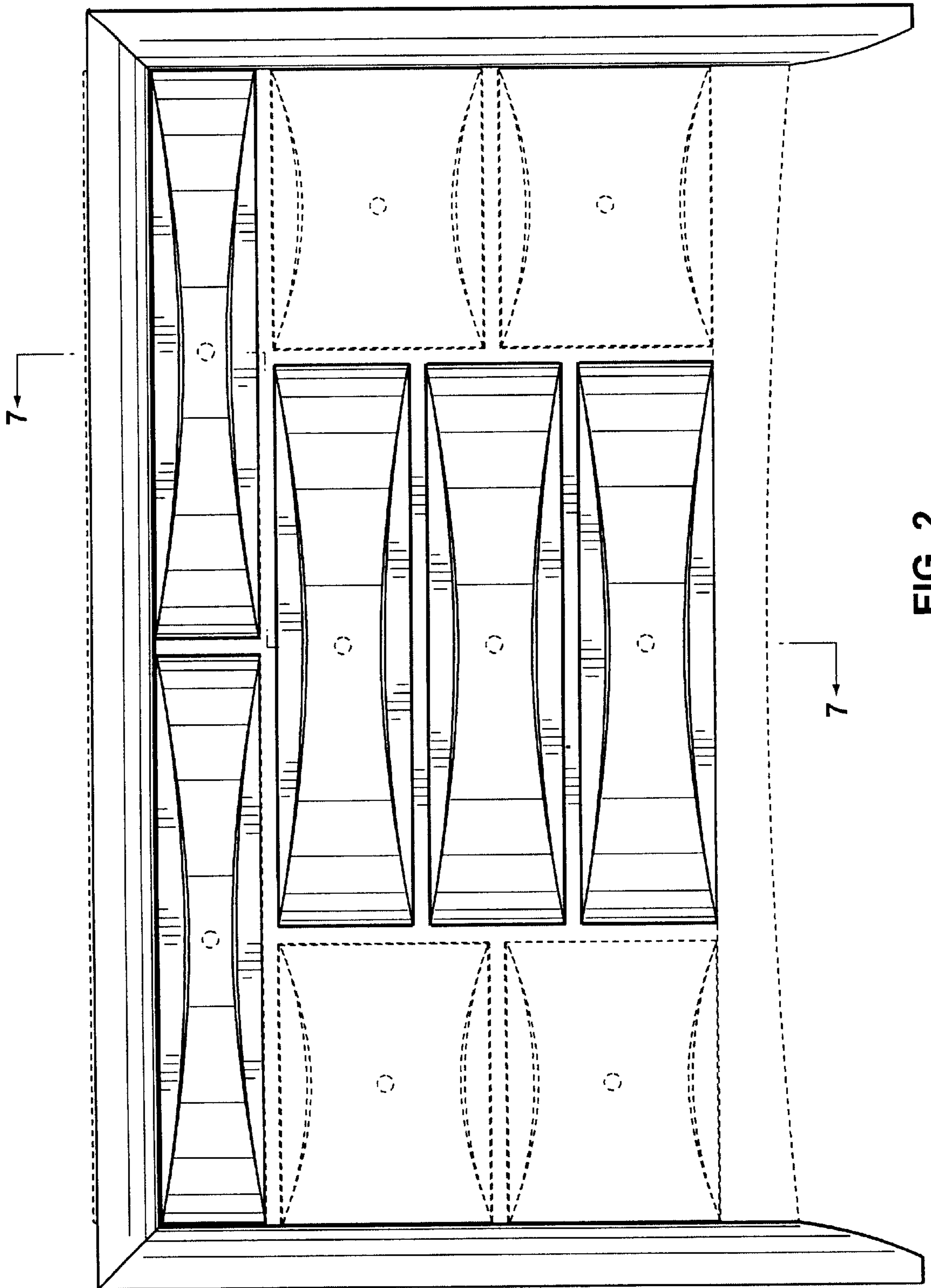


FIG. 2

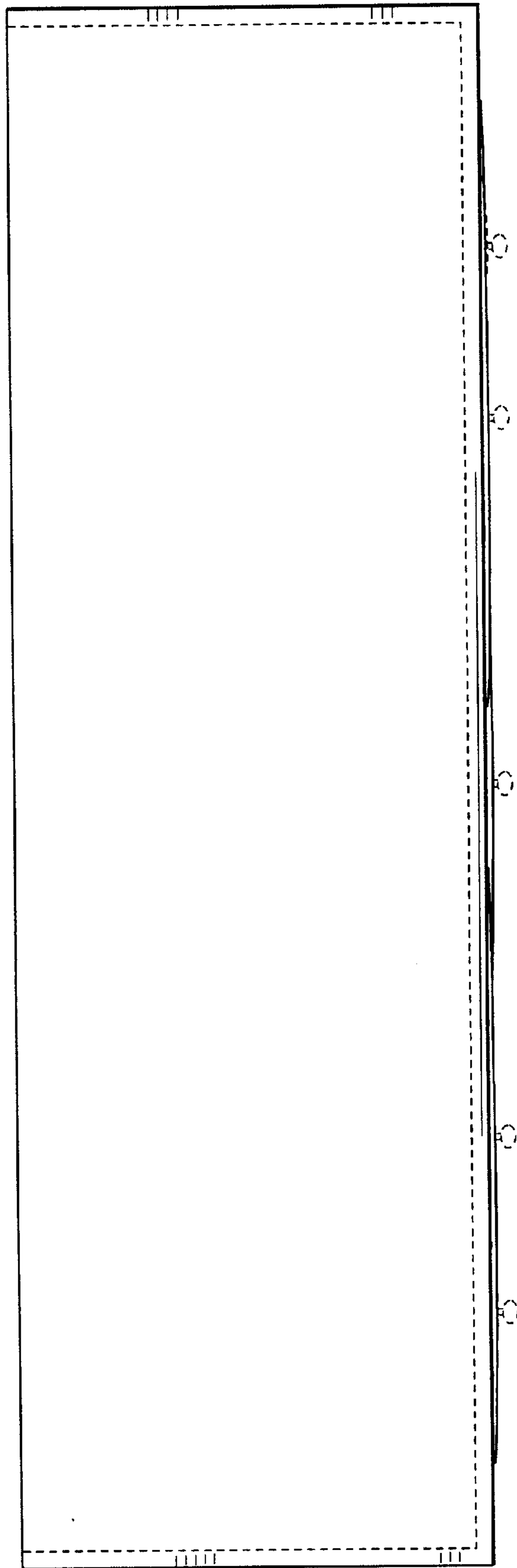


FIG. 3

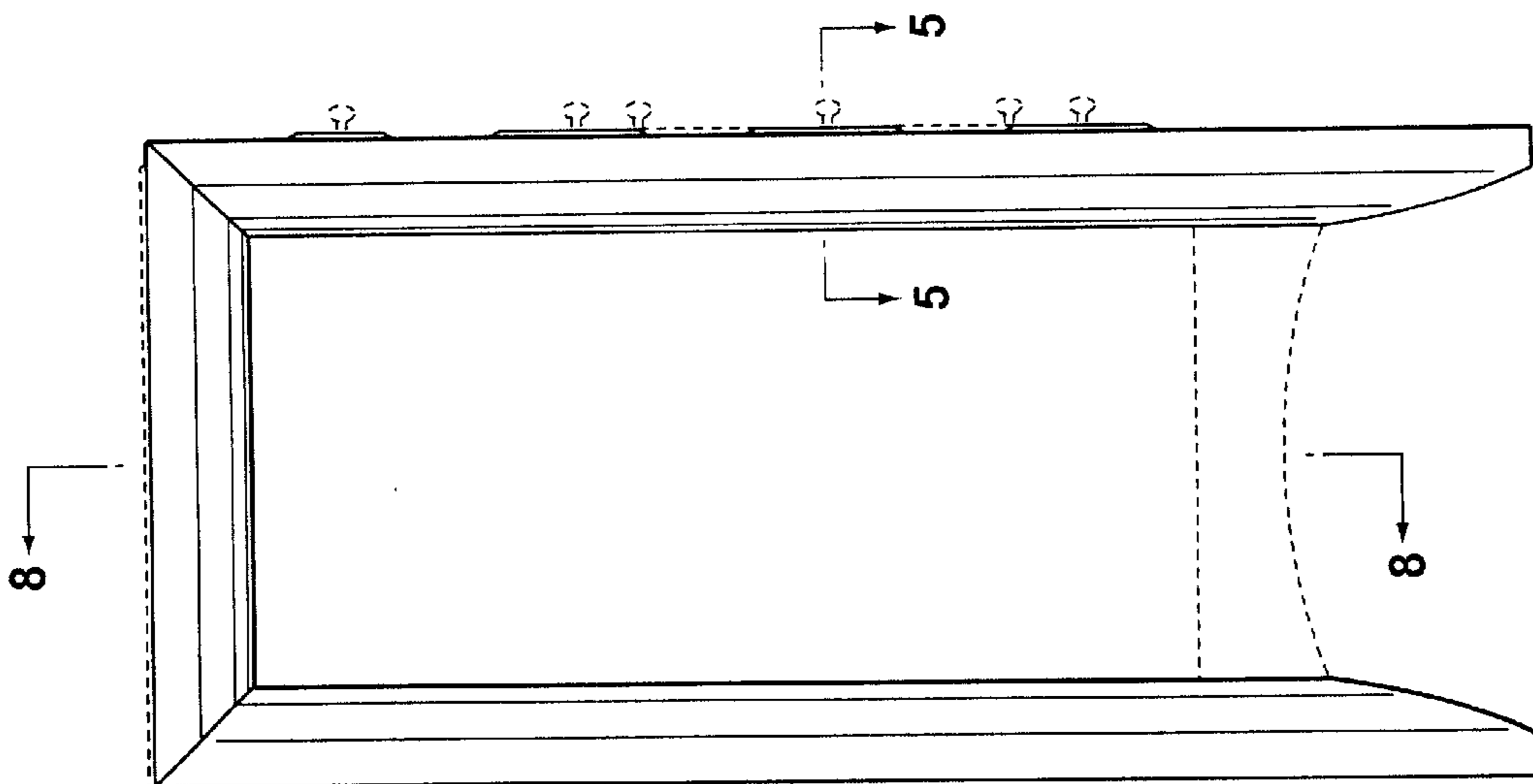


FIG. 4

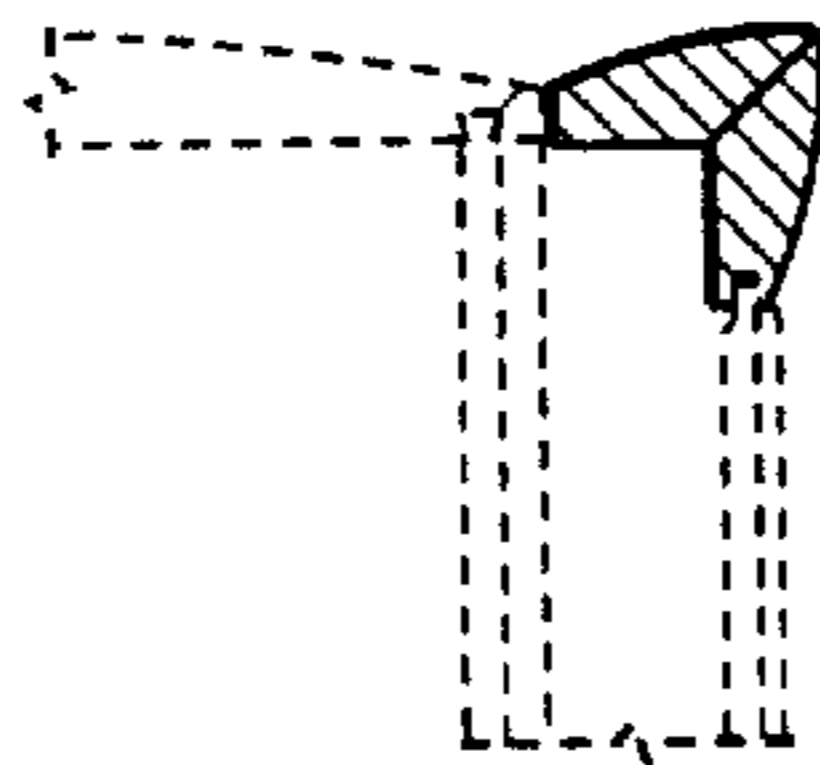


FIG. 5

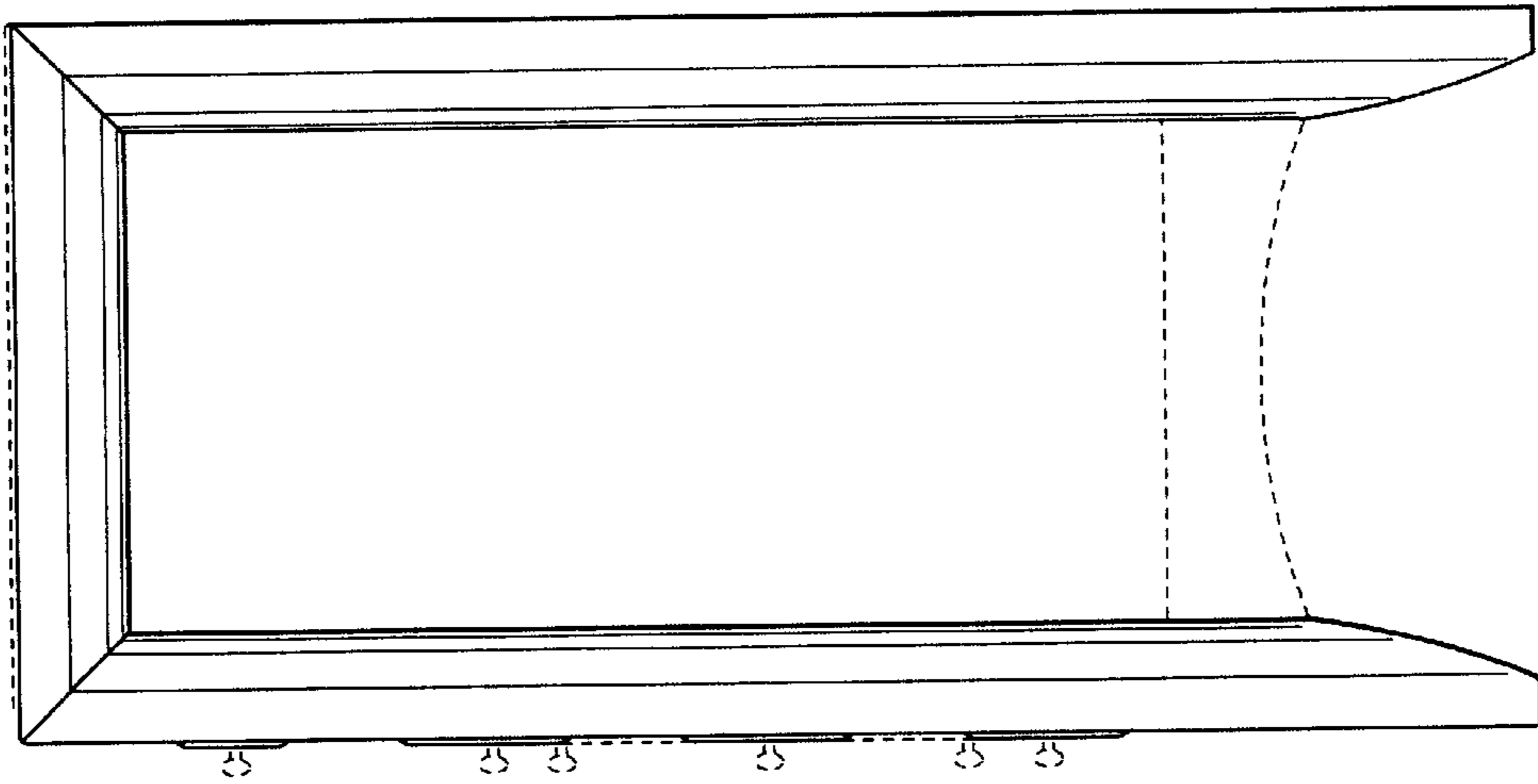


FIG. 6

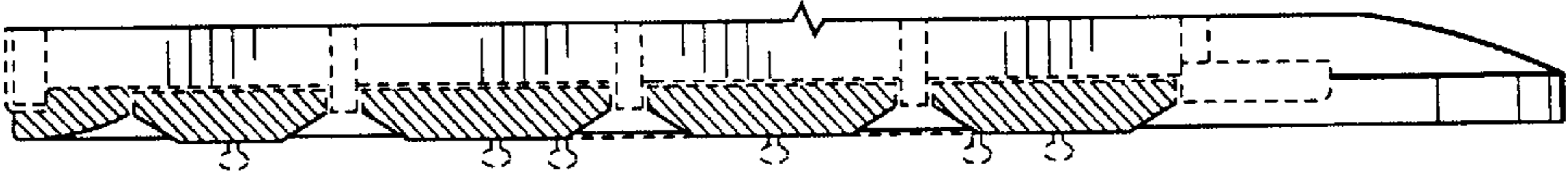


FIG. 7

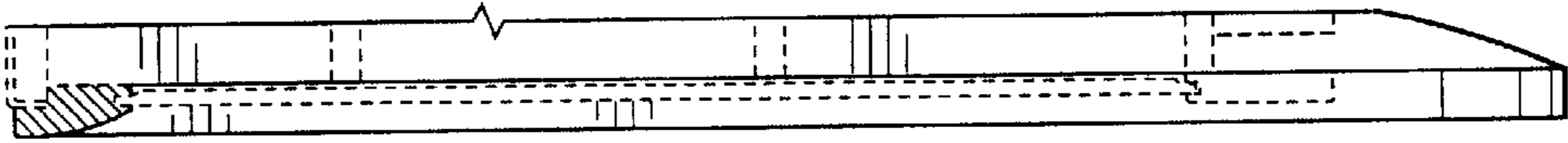


FIG. 8