



US00D485096S

(12) **United States Design Patent**  
**Overthun et al.**

(10) **Patent No.:** **US D485,096 S**

(45) **Date of Patent:** **\*\* Jan. 13, 2004**

(54) **PARTITION INSERT**

(75) Inventors: **Thomas Overthun**, San Francisco, CA (US); **James N. Ludwig**, E. Grand Rapids, MI (US); **David M. Gresham**, E. Grand Rapids, MI (US); **Karl Heinz Mueller**, E. Grand Rapids, MI (US); **Monika Conway**, Menlo Park, CA (US); **Stephen Don Wahl**, San Francisco, CA (US); **John W. Smith**, San Francisco, CA (US)

(73) Assignee: **Steelcase Development Corporation**, Caledonia, MI (US)

(\*\*) Term: **14 Years**

(21) Appl. No.: **29/182,098**

(22) Filed: **May 20, 2003**

**Related U.S. Application Data**

(62) Division of application No. 29/158,222, filed on Mar. 29, 2002.

(51) **LOC (7) Cl.** ..... **06-06**

(52) **U.S. Cl.** ..... **D6/492; D6/509**

(58) **Field of Search** ..... D6/332, 396, 397, D6/492, 509, 436; D25/16, 58; 52/220.7, 220.1, 238.1, 239, 241

(56) **References Cited**

**U.S. PATENT DOCUMENTS**

405,791 A	6/1889	Moushey	
1,588,093 A	6/1926	Carlson	
1,907,679 A	5/1933	Smith	
2,027,491 A	1/1936	Percy	
D125,270 S	* 2/1941	Hand	..... D6/492
2,260,178 A	10/1941	Guignon Jr.	
2,439,664 A	4/1948	Marchand	
2,878,955 A	3/1959	Hagan	
3,004,815 A	10/1961	O’Kain et al.	
3,195,698 A	7/1965	Codrea	
3,212,646 A	10/1965	Propst	

3,557,499 A	1/1971	Dickie et al.	
3,620,404 A	11/1971	Grasso	
3,685,230 A	8/1972	Lickliter et al.	
3,766,696 A	* 10/1973	Totoonchie	..... 52/241
D255,301 S	* 6/1980	Windisch et al.	..... D6/473
4,294,498 A	10/1981	Van Luit	
4,319,792 A	3/1982	Britt et al.	

(List continued on next page.)

**OTHER PUBLICATIONS**

Discloses a partition-attached utility-distributing module, designed and publicly shown prior to the filing date of the present application, under the tradename SWITCH by SMED Company, which is wholly owned by Haworth, Inc., Holland, MI (12 pages).

Discloses a partition-attached utility-distributing module, designed and publicly shown prior to the filing date of the present application, under the tradename SWITCH by SMED Company, which is wholly owned by Haworth, Inc., Holland, MI (15 pages).

*Primary Examiner*—Cathron C. Brooks

(74) *Attorney, Agent, or Firm*—Price Heneveld Cooper DeWitt & Litton

(57) **CLAIM**

The ornamental design for a partition insert, as shown and described.

**DESCRIPTION**

FIG. 1 is a perspective view of a partition insert, embodying our design;

FIG. 2 is a front view of FIG. 1;

FIG. 3 is a side view of FIG. 1, the opposite side being a mirror image thereof;

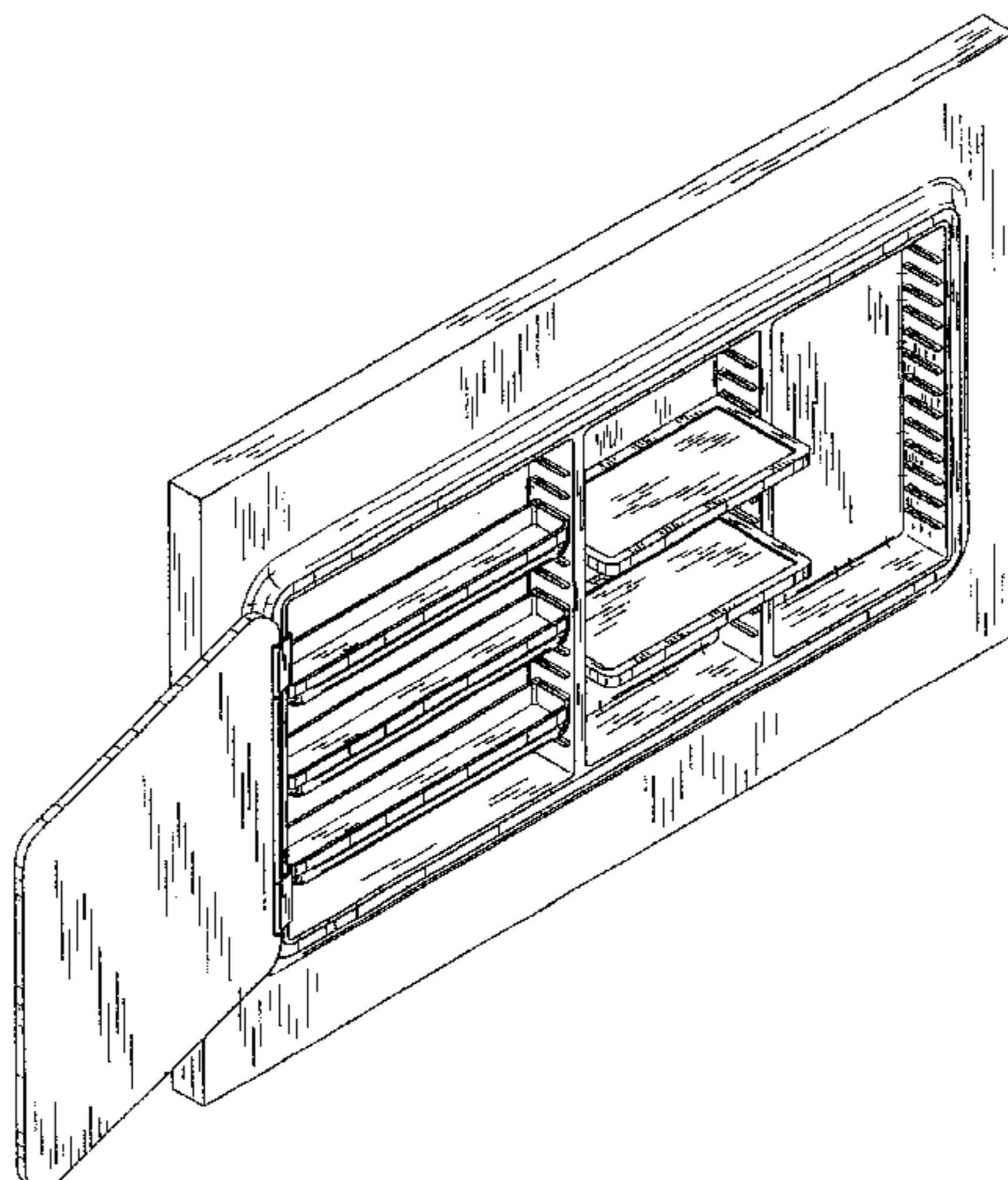
FIG. 4 is a cross-section taken along the lines 4—4 in FIG. 2, showing the contour of front surfaces in FIG. 2;

FIG. 5 is a top view of FIG. 1;

FIG. 6 is a cross-section along the lines 6—6 in FIG. 2, showing the contour of front surfaces in FIG. 2; and,

FIG. 7 is a bottom view of FIG. 1.

**1 Claim, 2 Drawing Sheets**



# US D485,096 S

Page 2

U.S. PATENT DOCUMENTS		
4,415,091 A	11/1983	Wolff
4,453,785 A	6/1984	Smith
4,463,684 A	8/1984	Klungle et al.
4,542,832 A	9/1985	Minick et al.
4,581,858 A	4/1986	Clark
4,642,418 A	2/1987	Menchetti
4,681,380 A	7/1987	Carlin
4,685,255 A	8/1987	Kelley
D293,981 S *	2/1988	Ball ..... D6/332
D296,619 S *	7/1988	Charman ..... D6/332
4,759,450 A	7/1988	Ball et al.
4,826,115 A	5/1989	Novitski
4,876,835 A	10/1989	Kelley et al.
4,942,805 A	7/1990	Hellwig et al.
5,038,539 A	8/1991	Kelley et al.
D321,801 S *	11/1991	Friedman ..... D6/492
5,129,200 A	7/1992	Kaneko
5,172,529 A	12/1992	Van De Riet
D333,352 S *	2/1993	Heidmann ..... D25/58
5,197,614 A	3/1993	Dalton et al.
5,212,915 A	5/1993	Antonio
5,255,971 A	10/1993	Aisley
5,277,005 A	1/1994	Hellwig et al.
5,289,927 A	3/1994	Emery
5,427,446 A	6/1995	Glomski
5,660,120 A	8/1997	Sims
5,707,125 A	1/1998	Coglin
D392,114 S *	3/1998	Thorp et al. .... D6/332
5,730,300 A	3/1998	Chen
5,875,594 A	3/1999	Hellwig et al.
RE36,226 E	6/1999	Antonio
6,000,180 A	12/1999	Goodman et al.
6,100,942 A	8/2000	Hollenbaugh et al.
6,101,773 A	8/2000	Chau et al.
6,115,978 A	9/2000	Bastian et al.
6,129,109 A	10/2000	Humber
6,206,206 B1	3/2001	Saylor et al.
D449,748 S *	10/2001	Martin et al. .... D6/436

\* cited by examiner

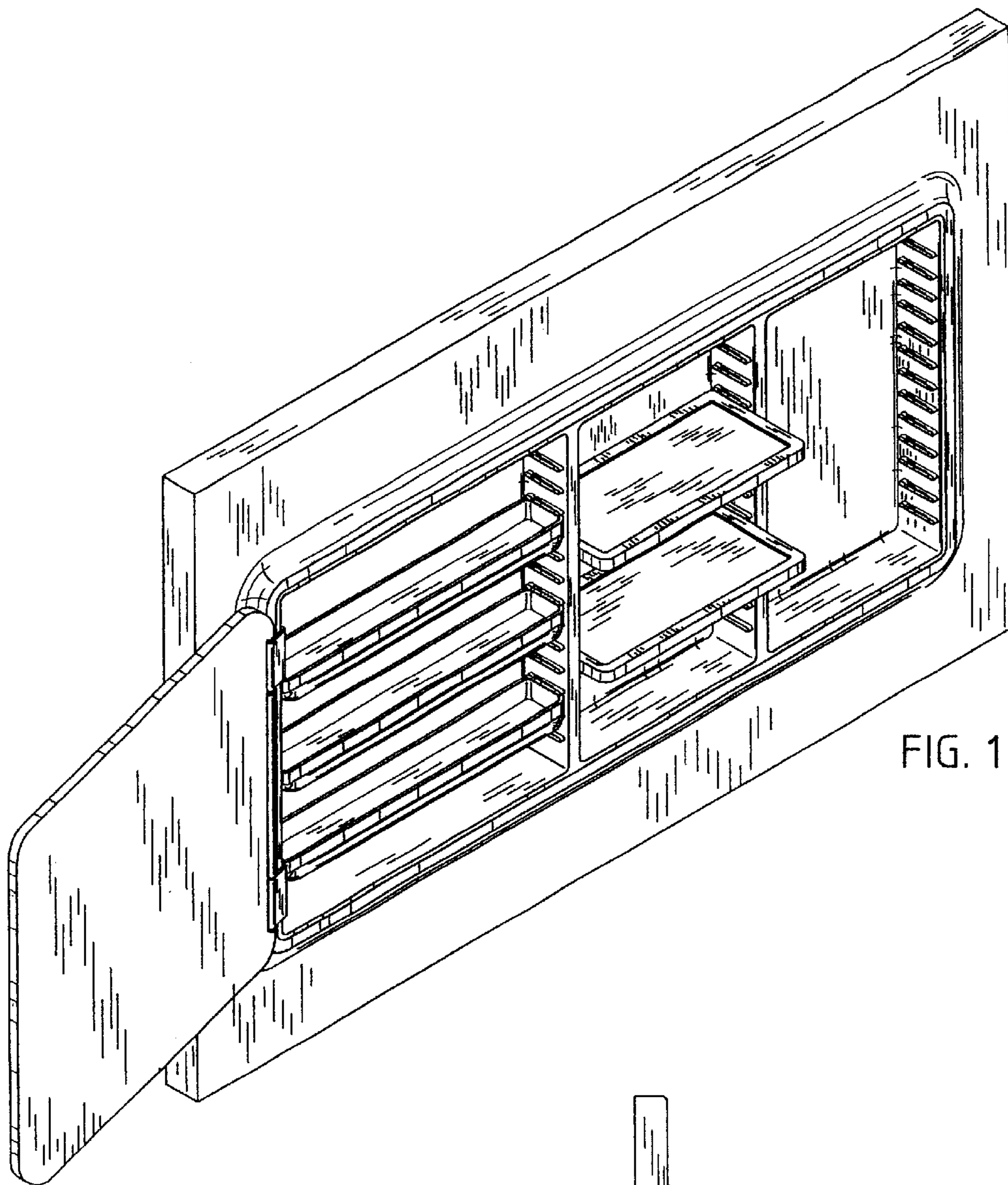


FIG. 1

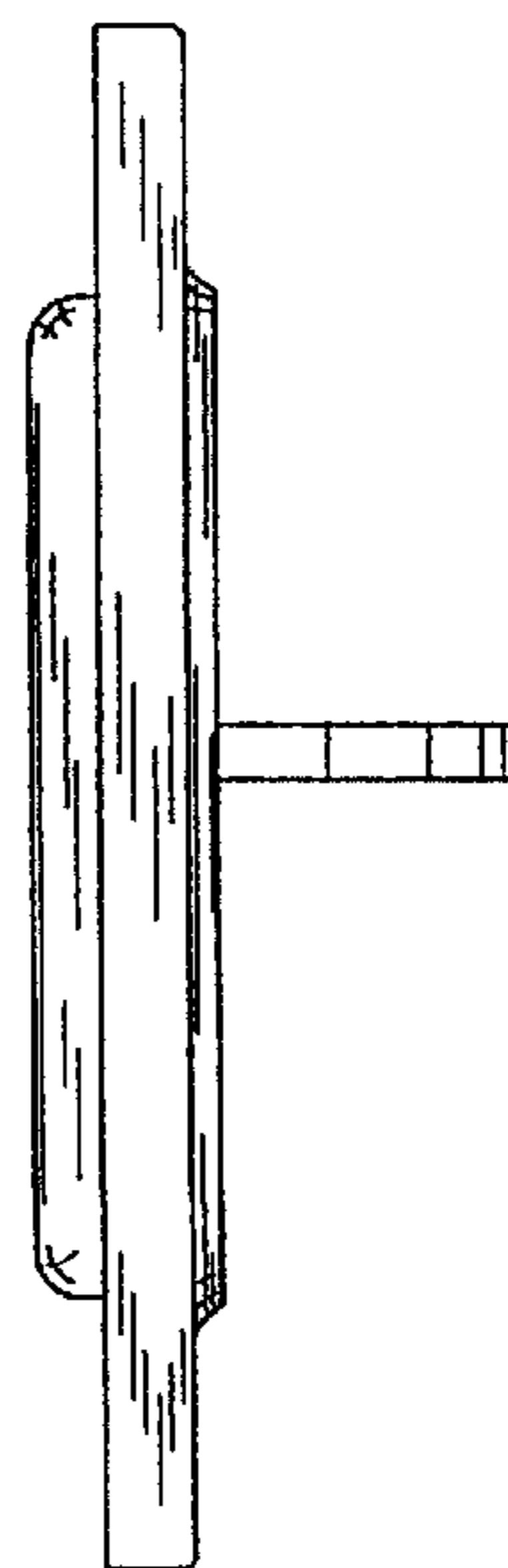


FIG. 3

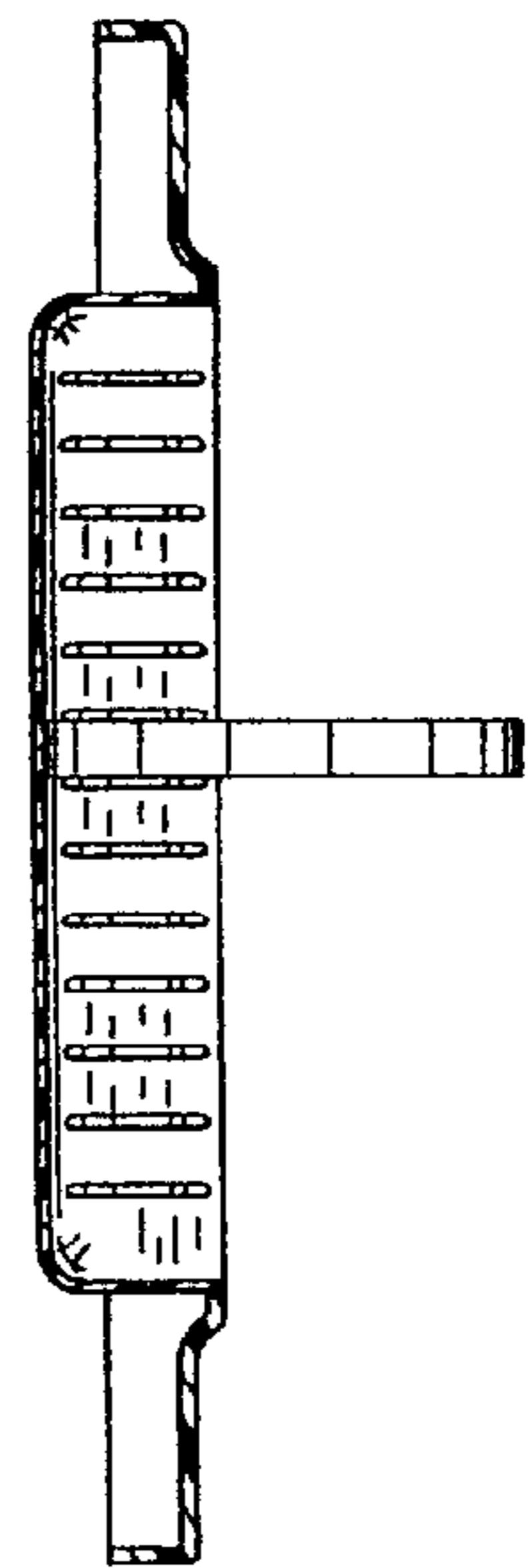


FIG. 4

