



US00D485092S

(12) **United States Design Patent**
Rosen

(10) **Patent No.:** **US D485,092 S**

(45) **Date of Patent:** **** Jan. 13, 2004**

(54) **STACKABLE SHELF**

(76) **Inventor:** **Frederick K. Rosen**, 2002 Middleton Dr., Wheaton, IL (US) 60187

(**) **Term:** **14 Years**

(21) **Appl. No.:** **29/175,912**

(22) **Filed:** **Feb. 13, 2003**

(51) **LOC (7) Cl.** **06-04**

(52) **U.S. Cl.** **D6/465**

(58) **Field of Search** D6/396, 397, 630, D6/449, 465, 468, 474, 499, 476-479, 510, 511; 108/59-61, 91-93, 147.11, 158.11; 211/42, 43, 49.1, 85.26, 133.2, 134, 181.1, 182, 188, 203; 312/7.2

(56) **References Cited**

U.S. PATENT DOCUMENTS

D174,532 S	*	4/1955	Duchin	D6/464
3,115,106 A		12/1963	Gersch		
3,252,434 A	*	5/1966	Young	211/181.1
4,117,783 A		10/1978	Eckel		
4,155,311 A		5/1979	Jackovin		
4,444,320 A		4/1984	Chap		
D292,658 S	*	11/1987	Kester	D6/465
D292,764 S	*	11/1987	Kester	D6/465
5,035,335 A	*	7/1991	Massoudnia	211/188

5,676,263 A	*	10/1997	Chang	211/187
D424,836 S	*	5/2000	Kopala, Jr.	D6/465
6,230,909 B1		5/2001	Suter		
6,260,488 B1		7/2001	Yang		
6,318,570 B1	*	11/2001	Mueller et al.	211/181.1
D471,033 S	*	3/2003	Yamaguchi	D6/465
D471,381 S	*	3/2003	Yamaguchi	D6/465

* cited by examiner

Primary Examiner—Cathron C. Brooks

(74) *Attorney, Agent, or Firm*—Patula & Associates, PC

(57) **CLAIM**

The ornamental design for a stackable shelf, as shown and described.

DESCRIPTION

FIG. 1 is a perspective view of the stackable shelf in the assembled position;
 FIG. 2 is a perspective view thereof; shown in a disassembled position;
 FIG. 3 is a perspective view of a single shelf, shown separately for completeness of illustration;
 FIG. 4 is a front elevational view of FIG. 3;
 FIG. 5 is a side elevational view of FIG. 3;
 FIG. 6 is a top plan view of FIG. 3; and,
 FIG. 7 is a bottom plan view of FIG. 3.

1 Claim, 4 Drawing Sheets

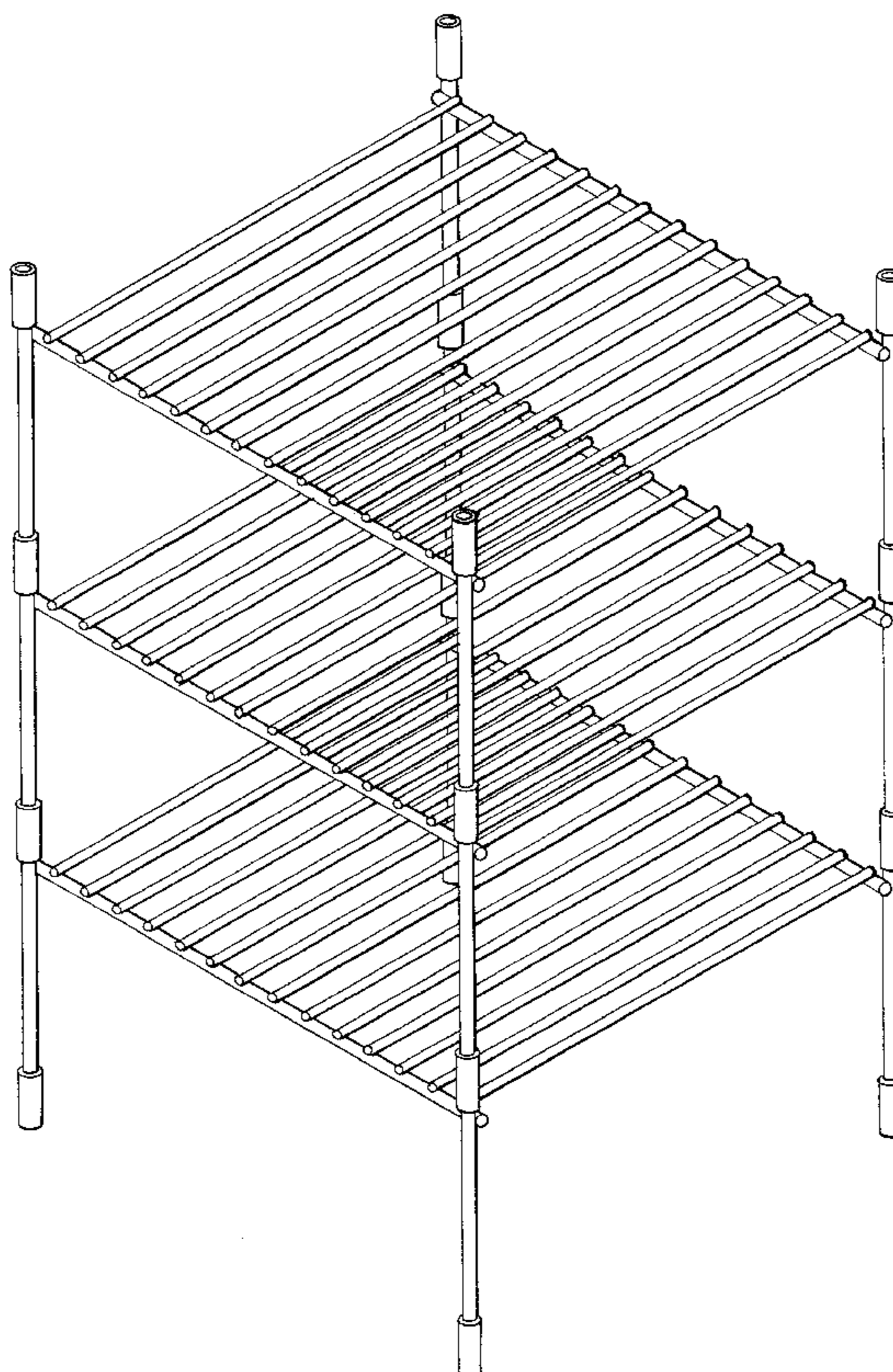
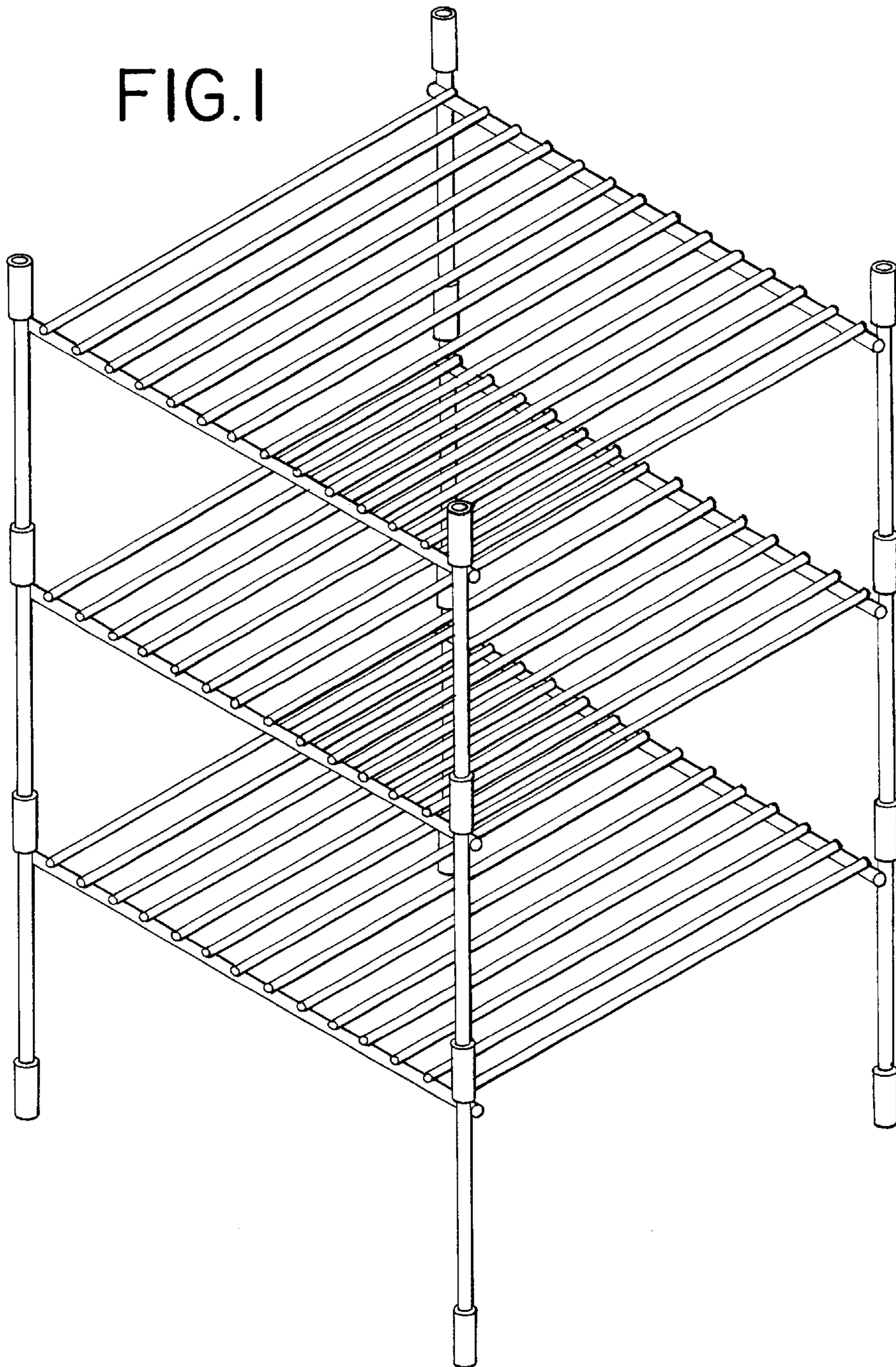


FIG. 1



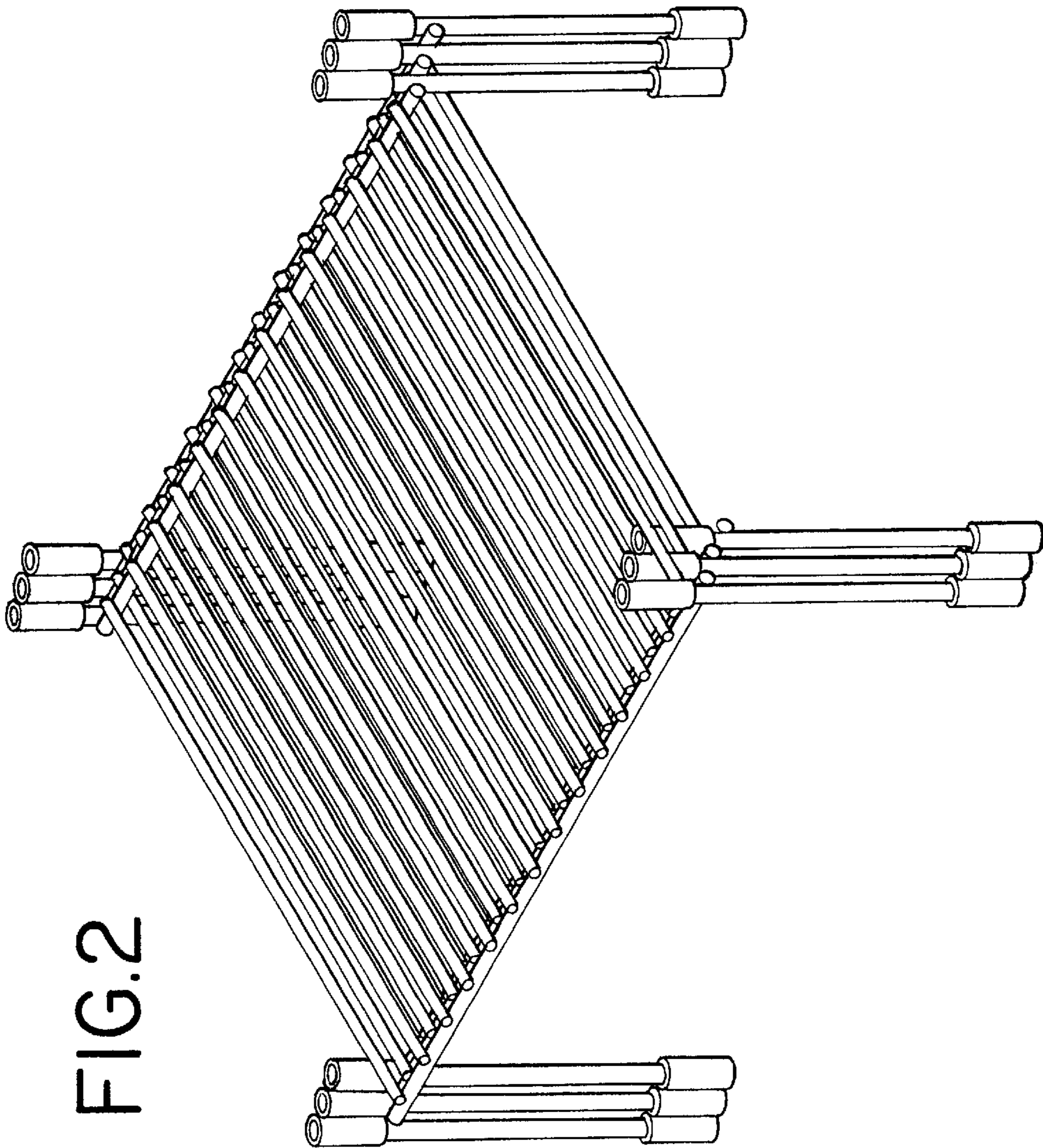


FIG.2

FIG.4

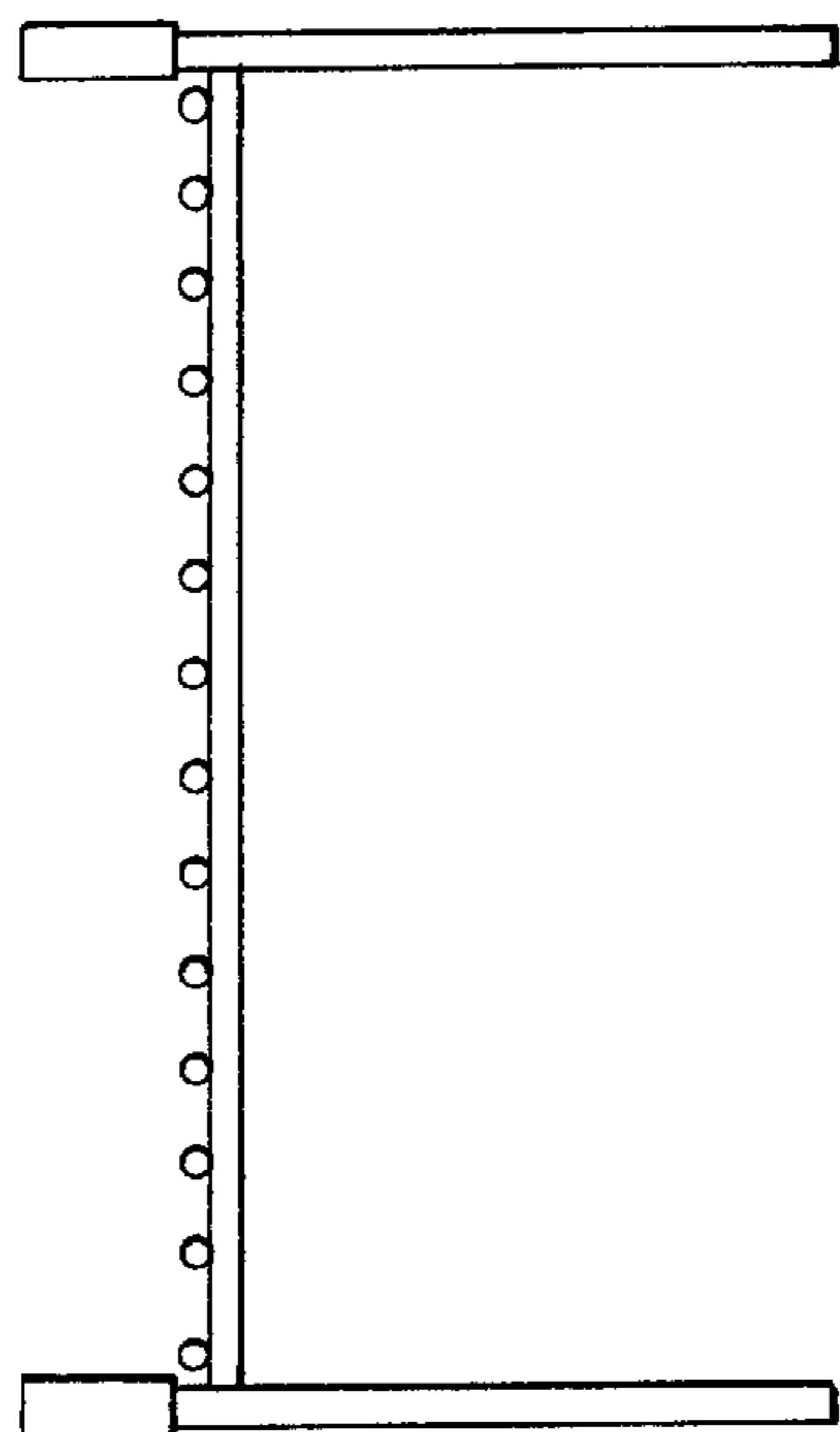


FIG.5

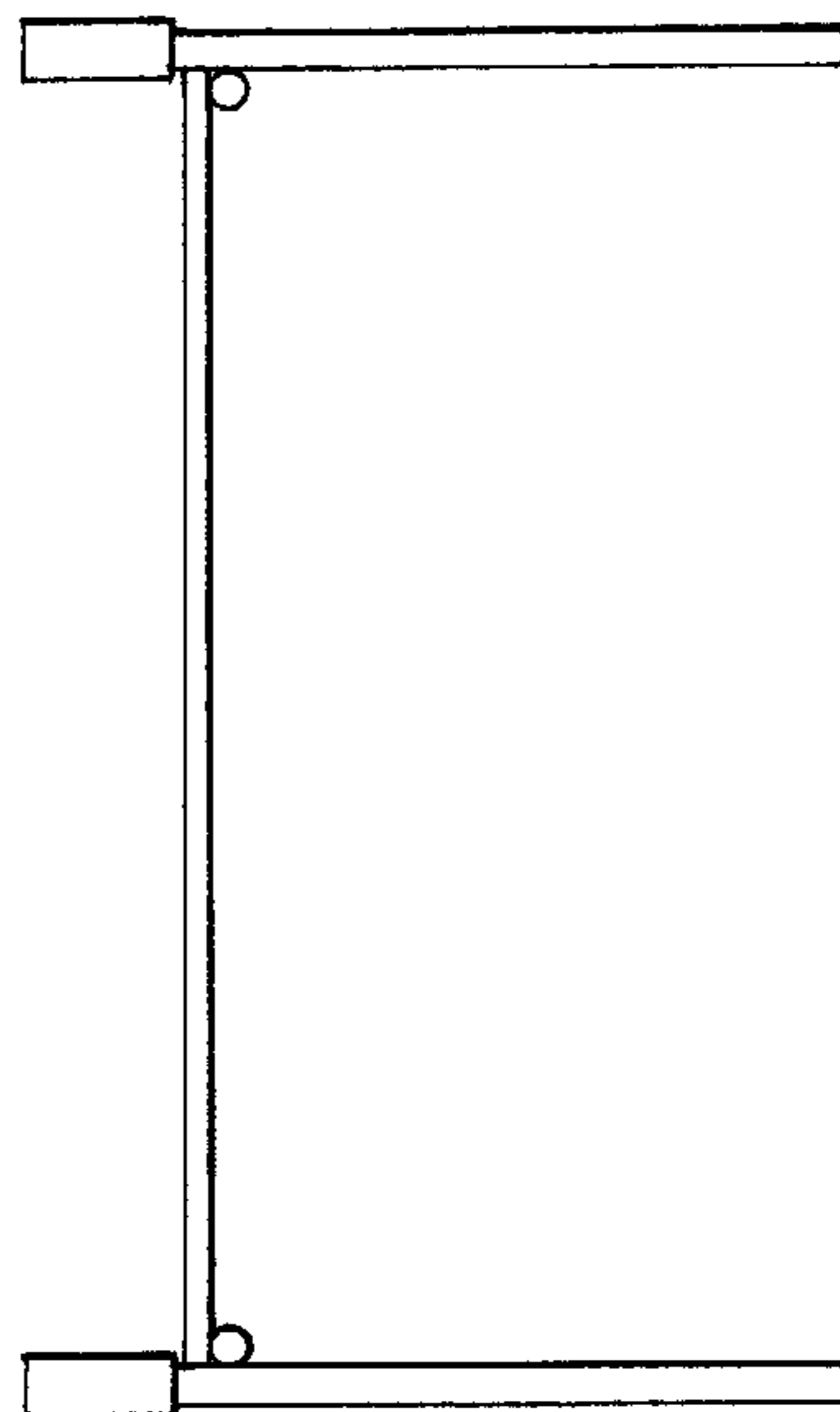


FIG.3

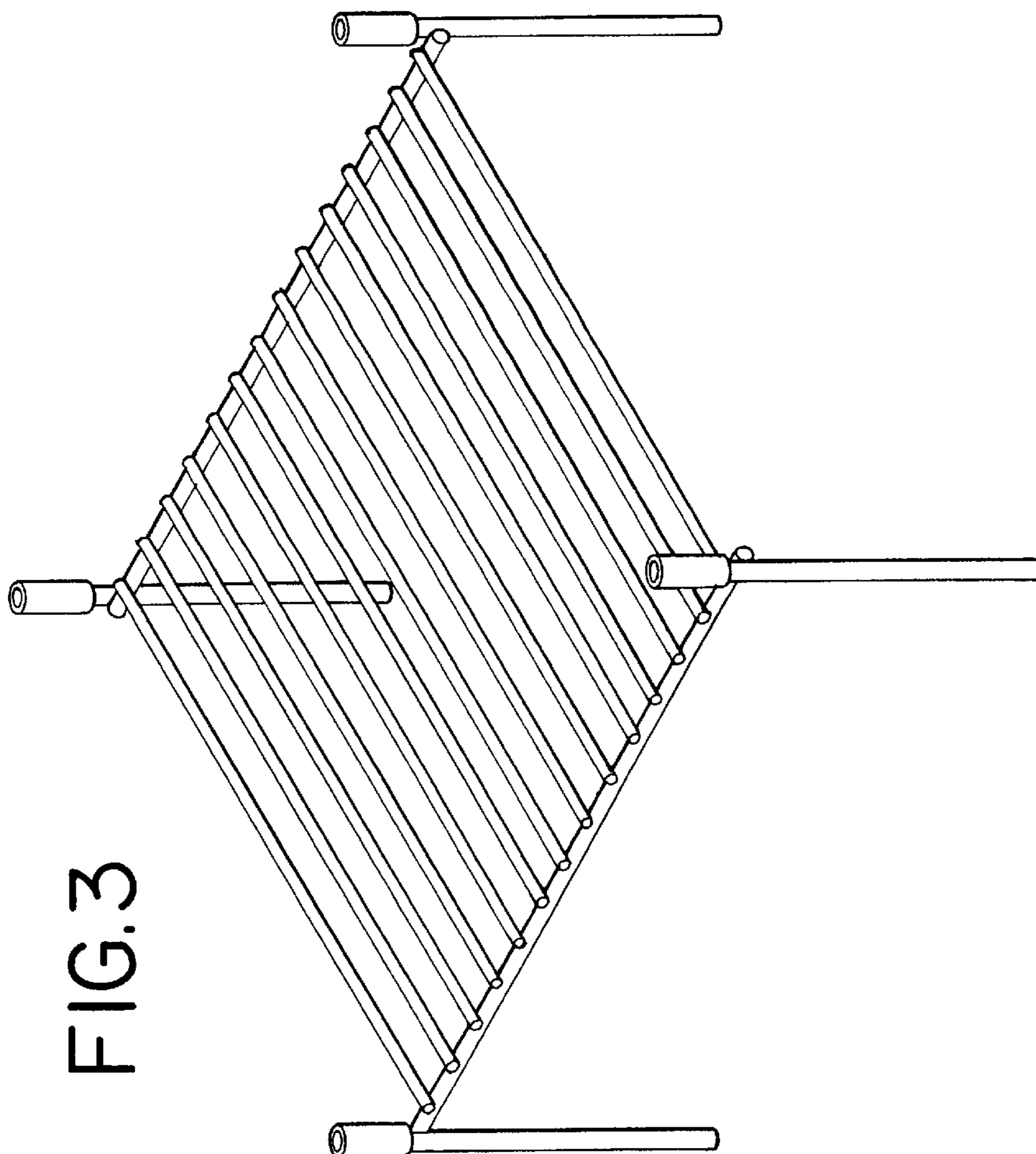


FIG. 6

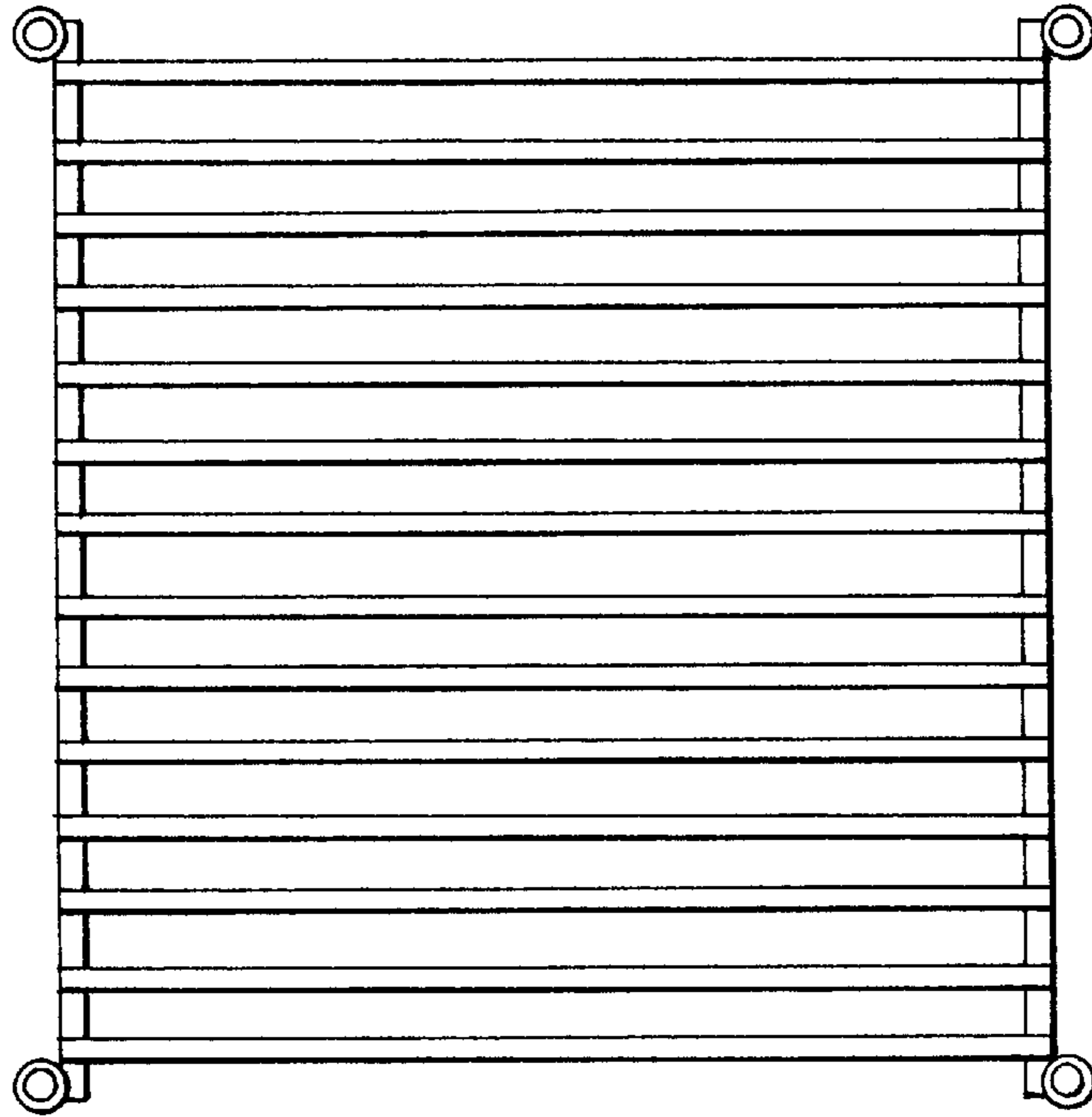


FIG. 7

