



US00D485089S

(12) **United States Design Patent**
Roseman

(10) **Patent No.:** **US D485,089 S**

(45) **Date of Patent:** **** Jan. 13, 2004**

(54) **DESK**
(75) Inventor: **Richard Roseman**, Evergreen, CO (US)
(73) Assignee: **Westmount Investmount Ltd.**, Nassau (BS)
(**) Term: **14 Years**

D393,760 S * 4/1998 Allon D6/422
D452,391 S * 12/2001 Efron et al. D6/422

* cited by examiner

Primary Examiner—Janice E. Seeger
(74) *Attorney, Agent, or Firm*—Chase Law Firm, L.C.

(57) **CLAIM**

The ornamental design for a desk, as shown and described.

(21) Appl. No.: **29/161,436**
(22) Filed: **May 30, 2002**
(51) **LOC (7) Cl.** **06-03**
(52) **U.S. Cl.** **D6/425; D6/430**
(58) **Field of Search** D6/480-489, 495-499, D6/422, 426, 427, 429-431; 108/50.01, 50.02, 150, 153.1, 155, 156, 157.1, 161, 65, 69; 312/194, 195, 239

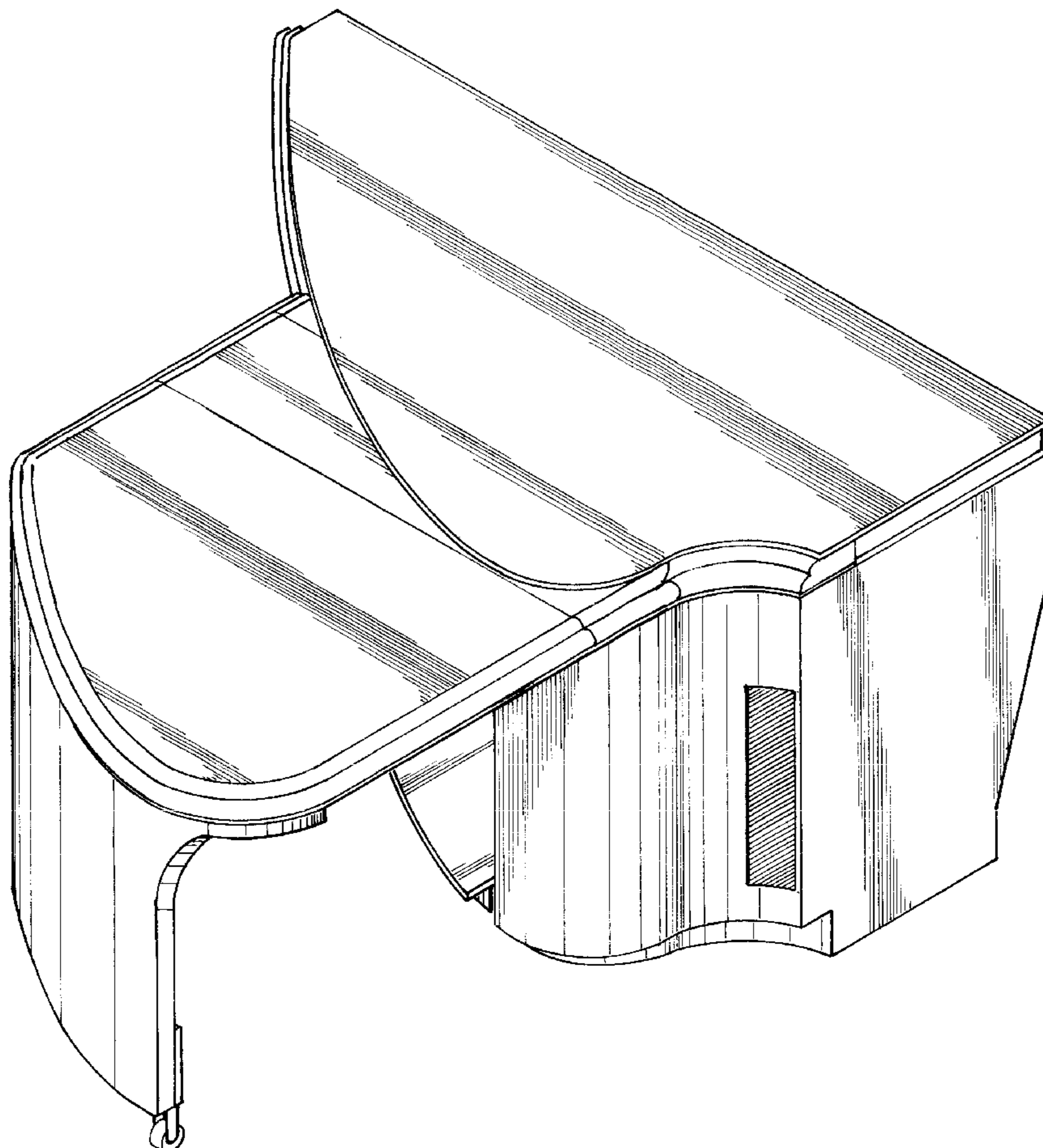
DESCRIPTION

FIG. 1 is a top view of a desk in accordance with the present invention, in its retracted position;
FIG. 2 is a front view of the desk of FIG. 1;
FIG. 3 is a left side view of the desk of FIG. 1;
FIG. 4 is a right side view of the desk of FIG. 1;
FIG. 5 is a perspective view of the desk of FIG. 1;
FIG. 6 is a top view of the desk in accordance with the present invention in its expanded position;
FIG. 7 is a left side view of the desk of FIG. 6;
FIG. 8 is a right side view of the desk of FIG. 6; and,
FIG. 9 is a perspective view of the desk of FIG. 6.
The broken lines are for environmental purposes only and form no part of the claimed design.

(56) **References Cited**
U.S. PATENT DOCUMENTS

D287,624 S * 1/1987 Landan et al. D6/426 X
5,403,082 A * 4/1995 Kramer 108/69 X
5,536,080 A * 7/1996 Madimenos et al. 312/196 X

1 Claim, 4 Drawing Sheets



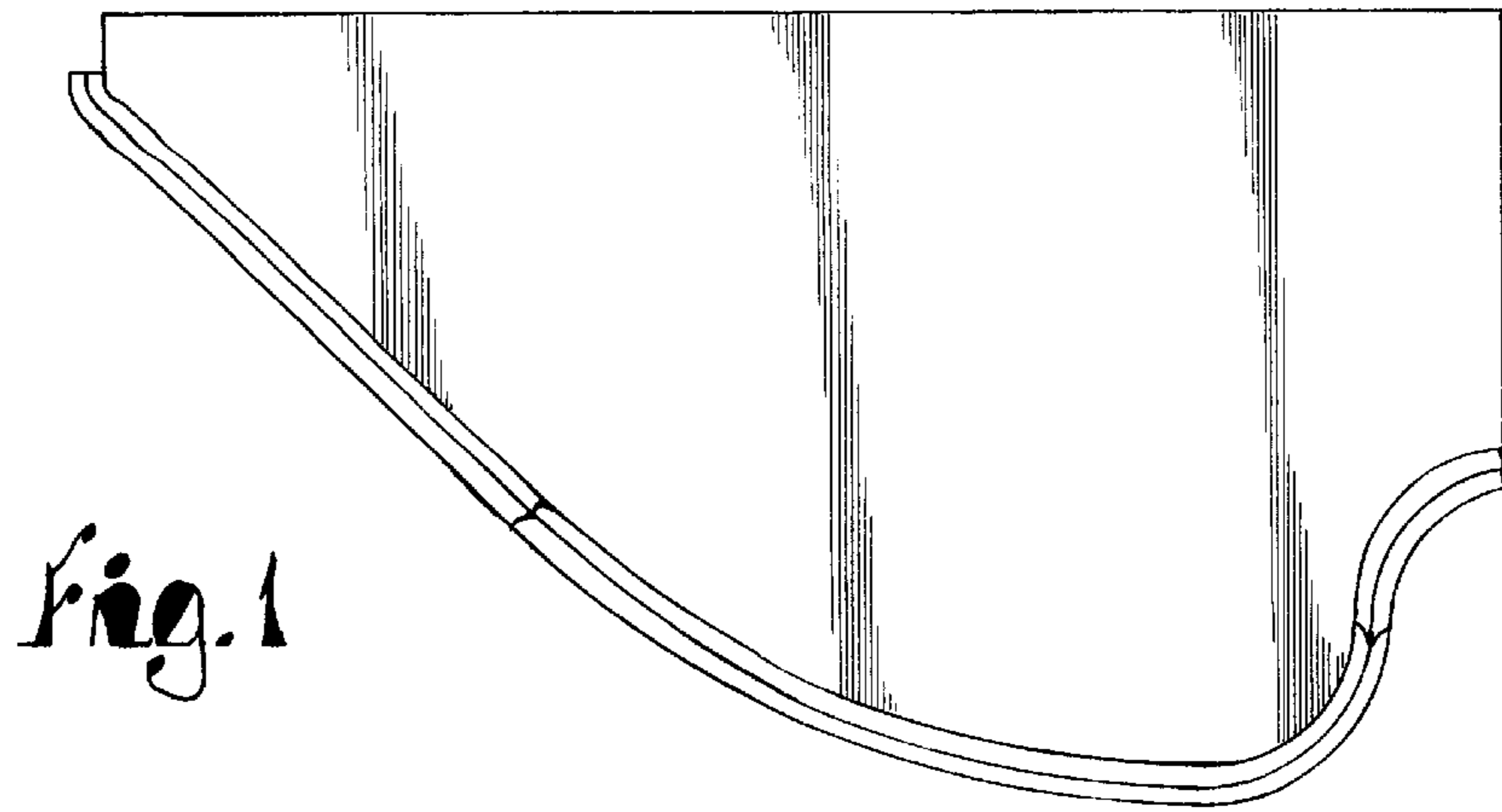


Fig. 1

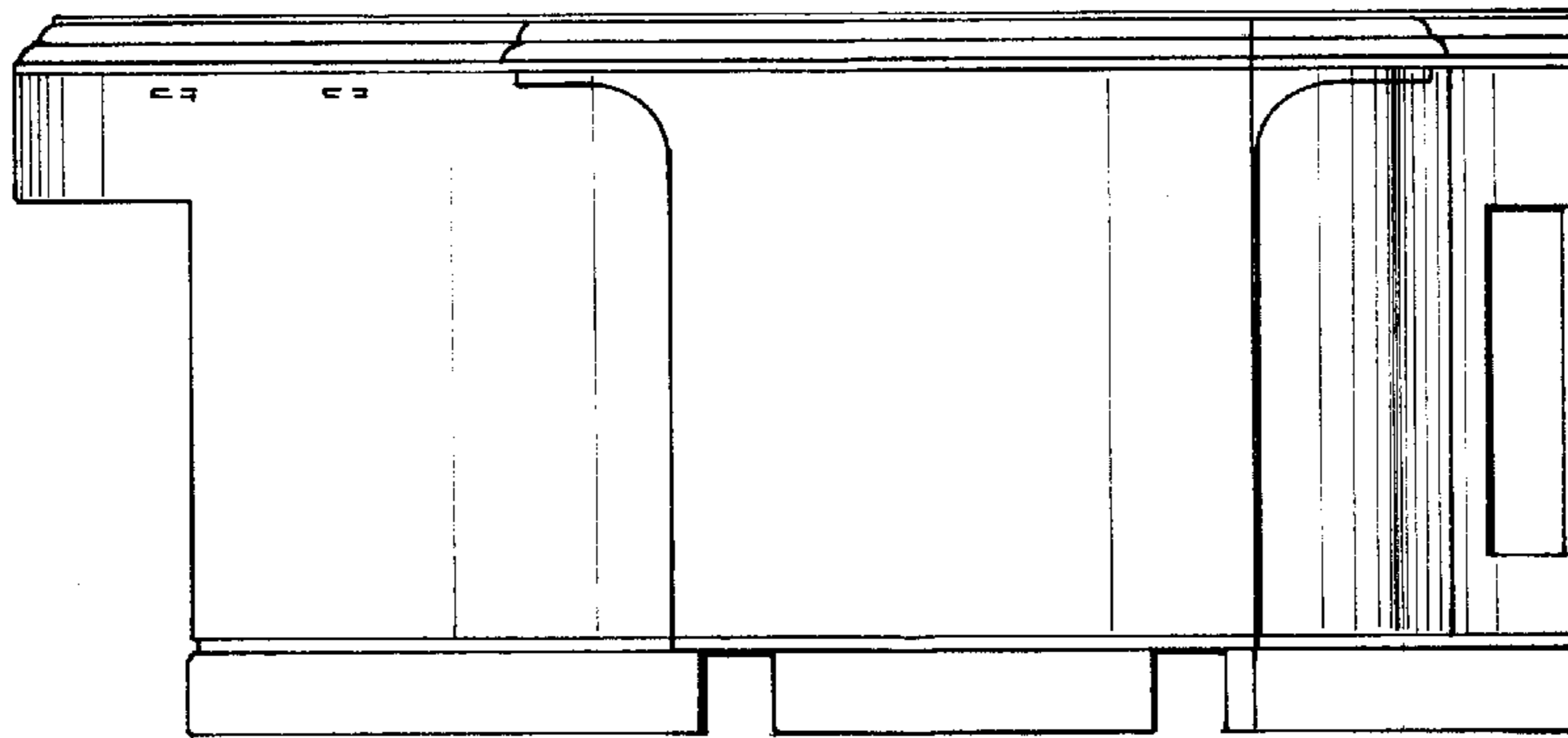


Fig. 2

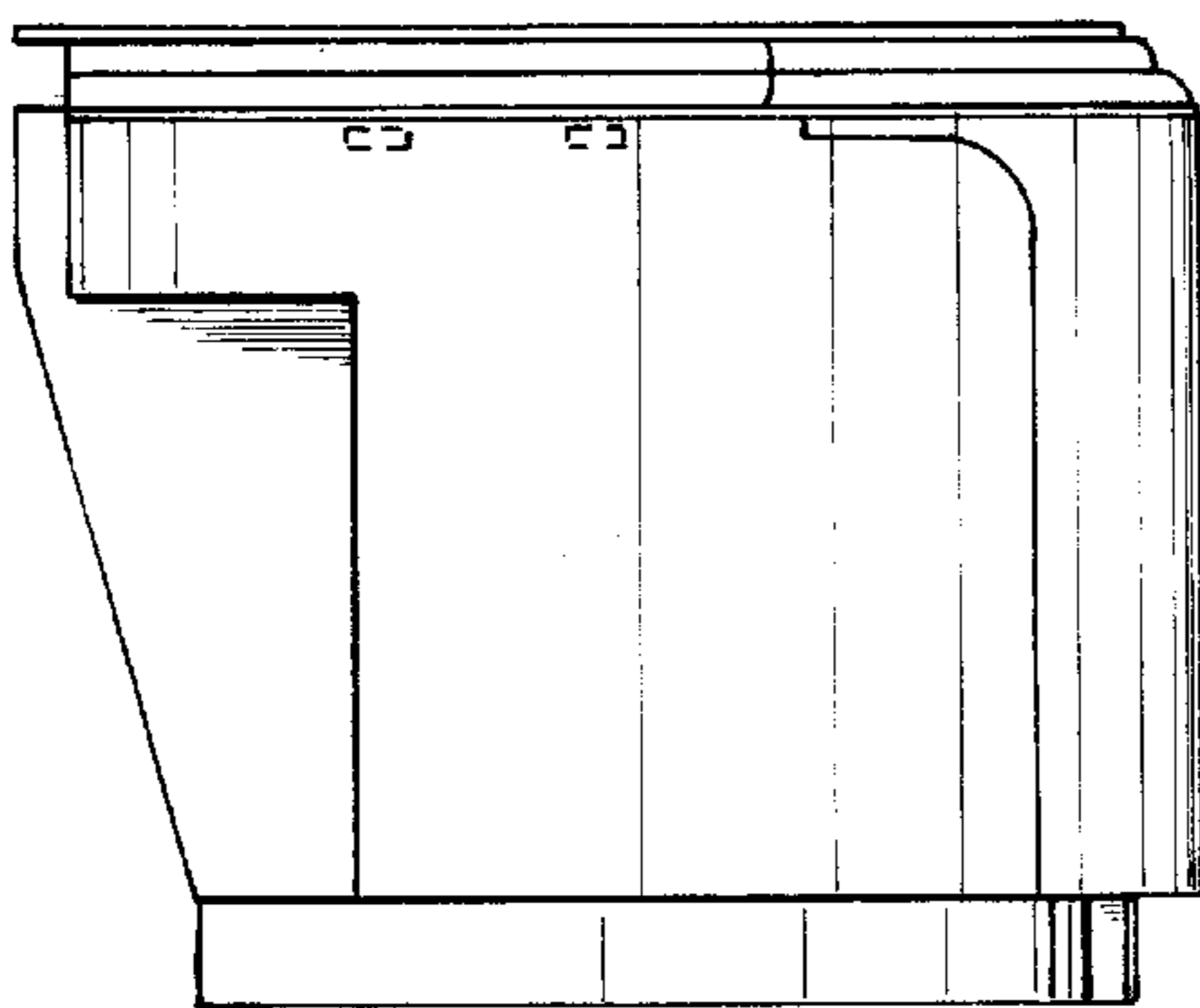


Fig. 3

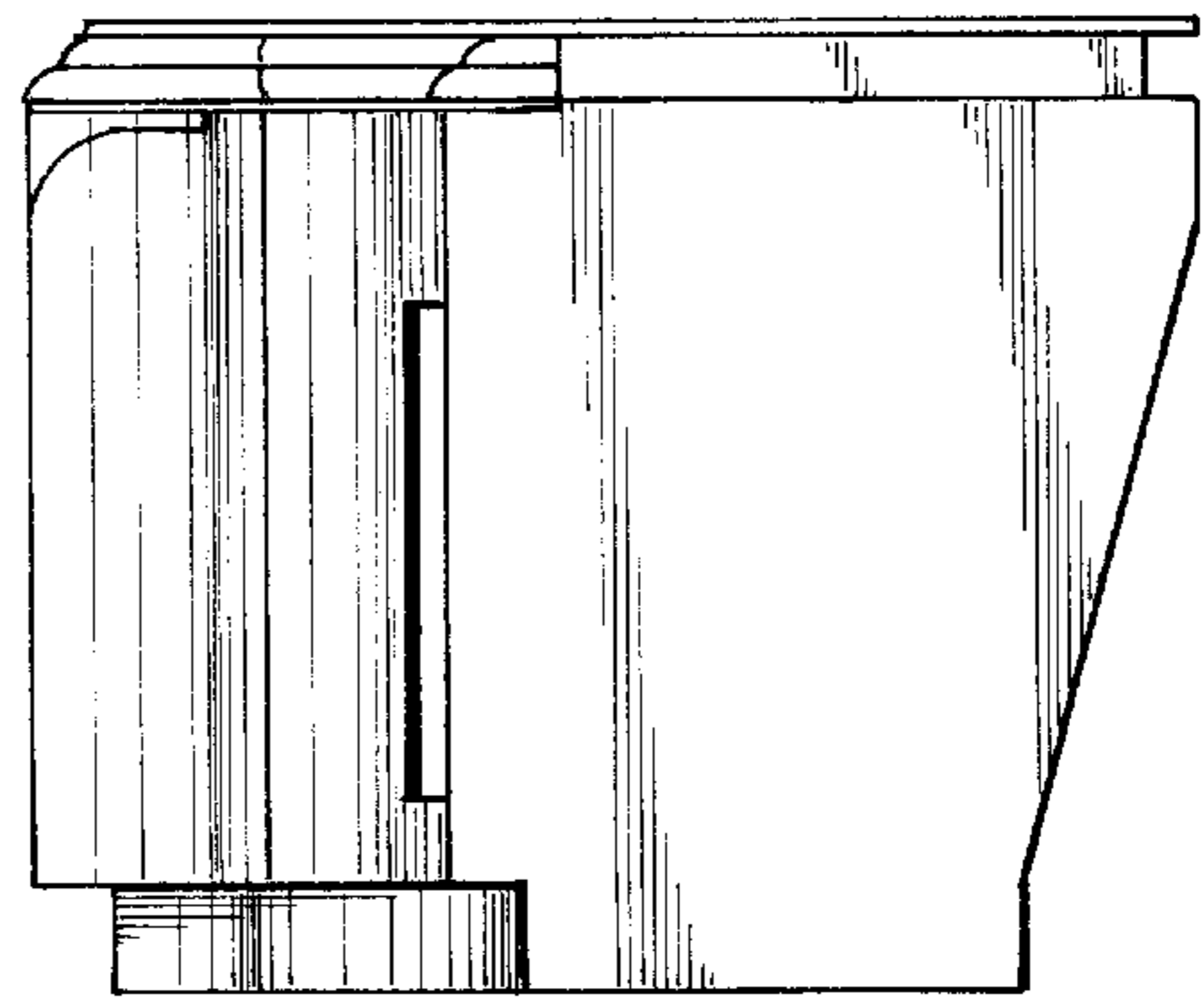


Fig. 4

Fig. 5

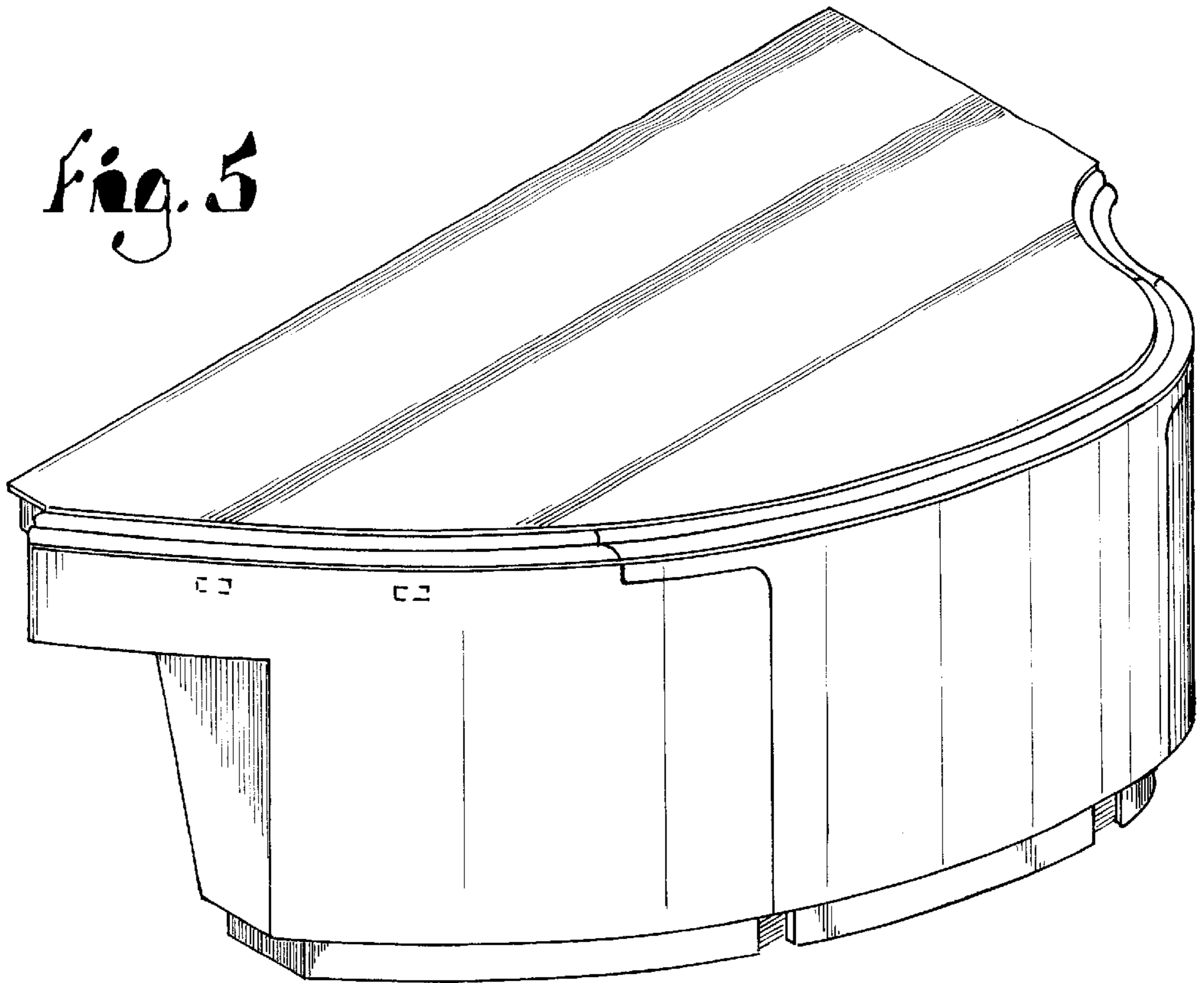
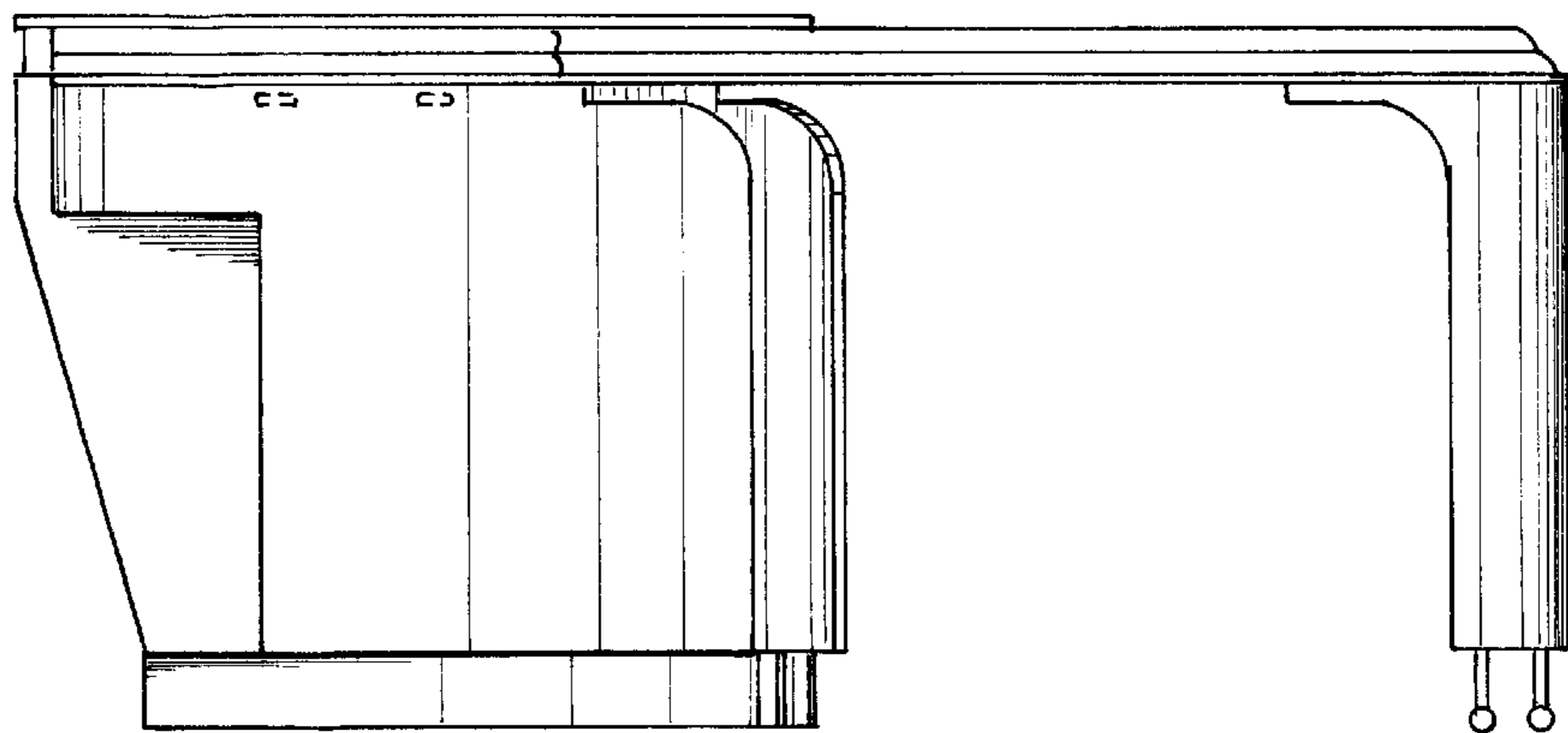


Fig. 6



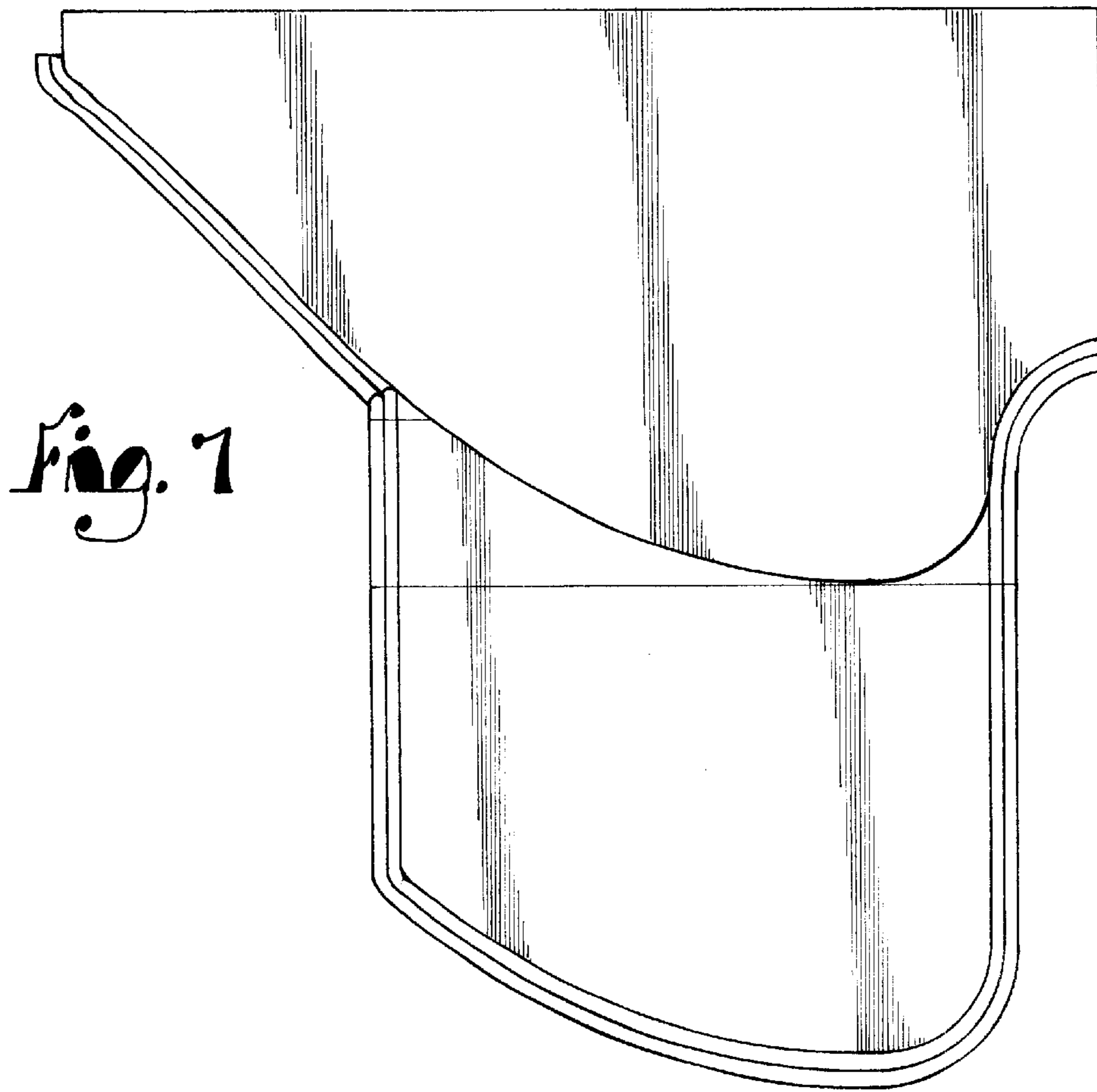
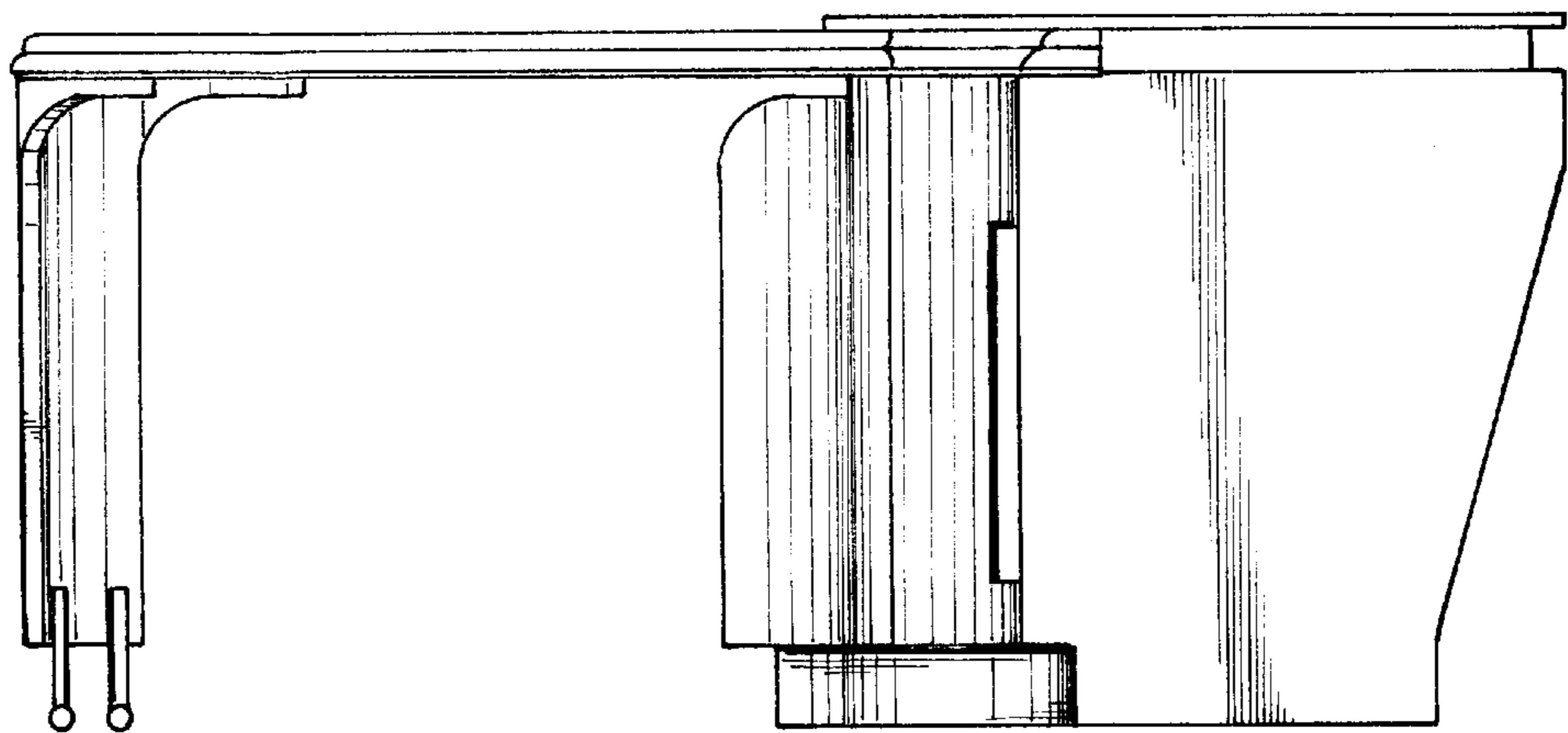


Fig. 7

Fig. 8



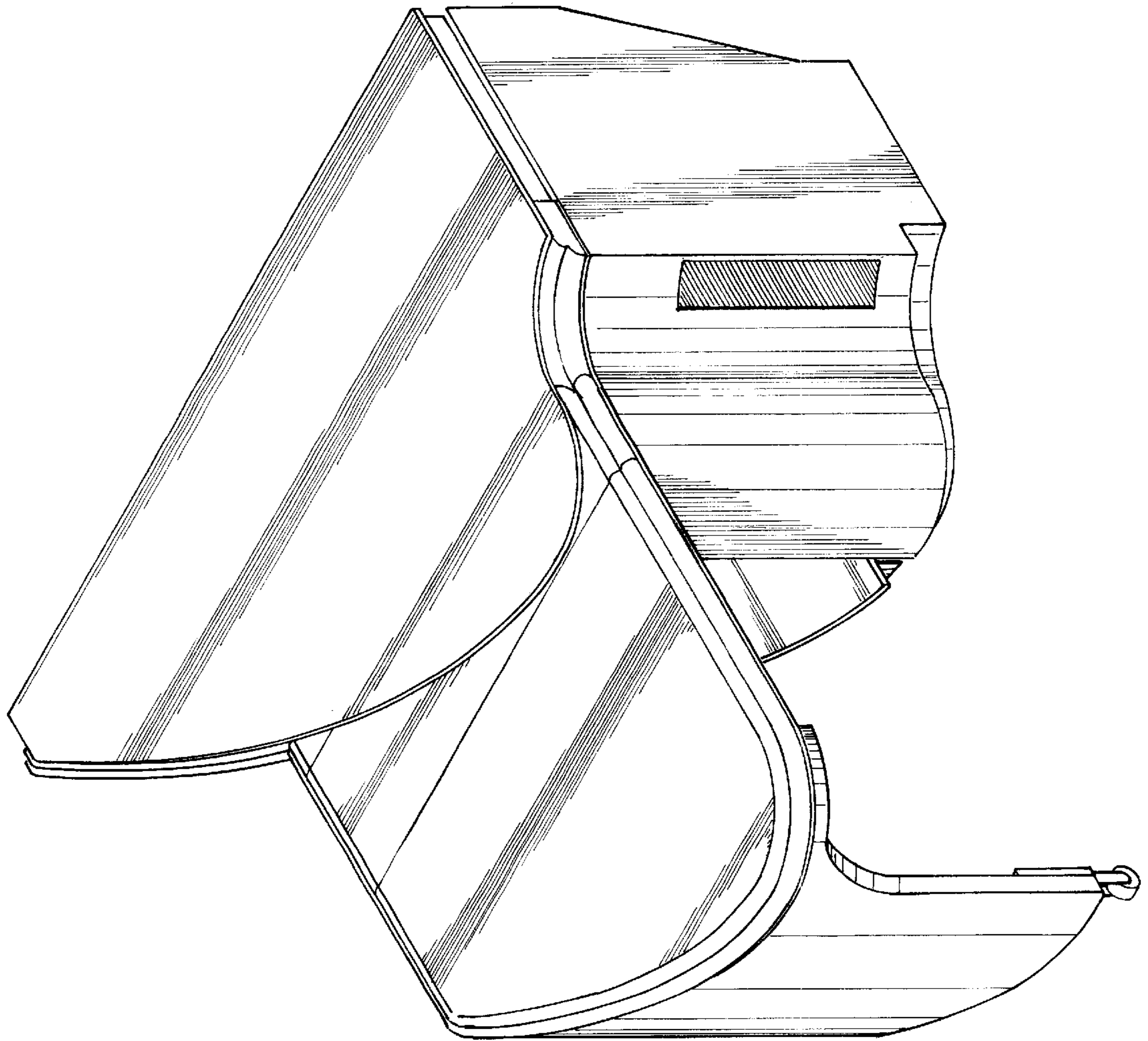


Fig. 9