



US00D485086S

(12) **United States Design Patent**  
**Gomez**

(10) **Patent No.:** **US D485,086 S**

(45) **Date of Patent:** **\*\* \*Jan. 13, 2004**

(54) **SOFA**

(75) **Inventor:** **Didier Gomez, Paris (FR)**

(73) **Assignee:** **Roset (FR)**

(\* ) **Notice:** This patent is subject to a terminal disclaimer.

(\*\* ) **Term:** **14 Years**

(21) **Appl. No.:** **29/165,047**

(22) **Filed:** **Aug. 5, 2002**

(30) **Foreign Application Priority Data**

Feb. 5, 2002 (WO) ..... DM/058 878

(51) **LOC (7) Cl.** ..... **06-01**

(52) **U.S. Cl.** ..... **D6/381**

(58) **Field of Search** ..... D6/334, 335, 364,  
D6/371, 377, 381, 500, 501, 502; 5/12.1;  
297/232

(56) **References Cited**

**U.S. PATENT DOCUMENTS**

D234,731 S \* 4/1975 McDonald ..... D6/371

D427,445 S \* 7/2000 Gomez ..... D6/377  
D429,081 S \* 8/2000 Gomez ..... D6/381  
D431,381 S \* 10/2000 Gomez ..... D6/377 X  
D446,039 S \* 8/2001 Gomez ..... D6/381  
D448,196 S \* 9/2001 Gomez ..... D6/377  
D448,946 S \* 10/2001 Goetz ..... D6/381

\* cited by examiner

*Primary Examiner*—Gary D. Watson  
(74) *Attorney, Agent, or Firm*—Cantor Colburn LLP

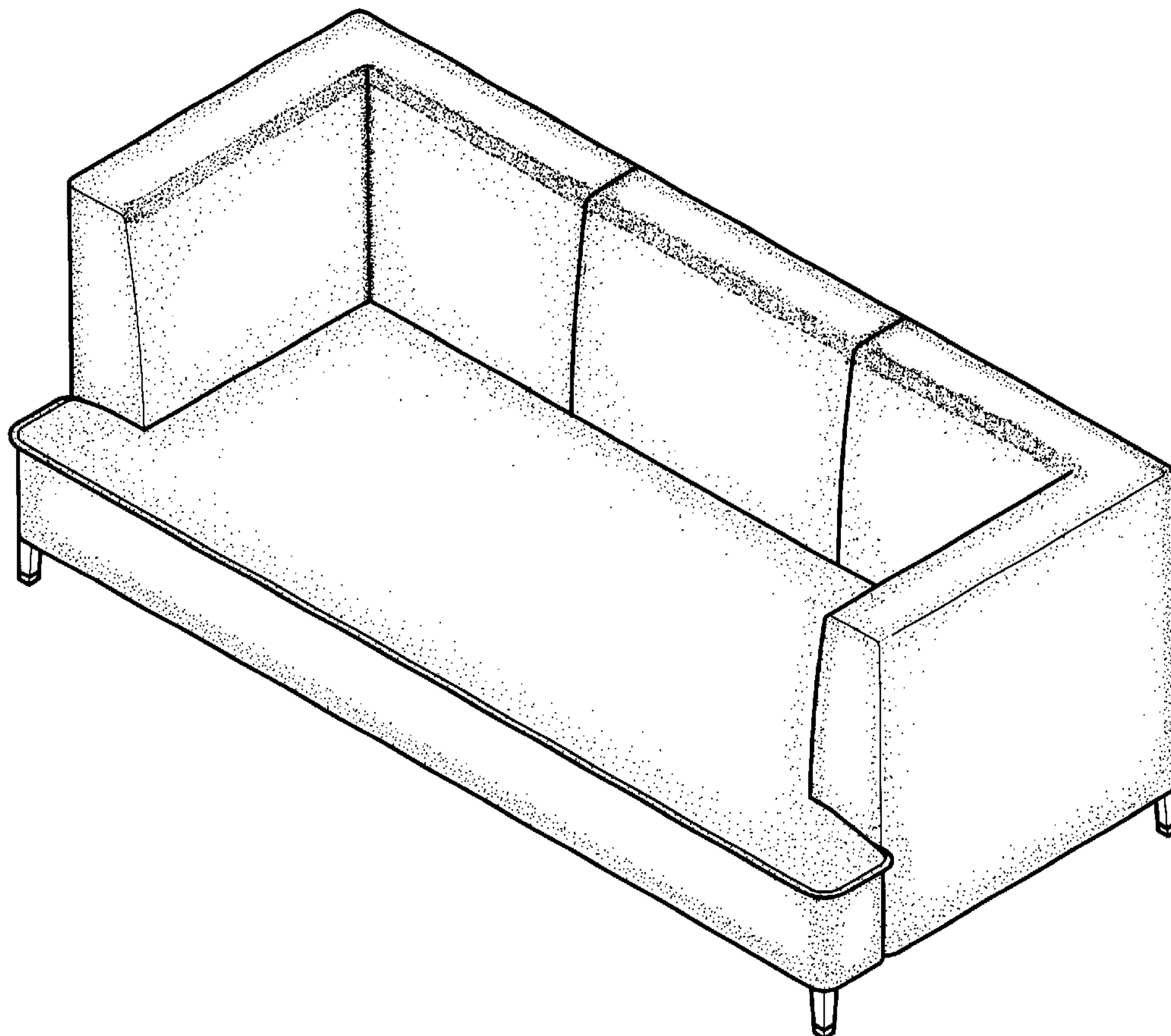
(57) **CLAIM**

The ornamental design for a sofa, as shown and described.

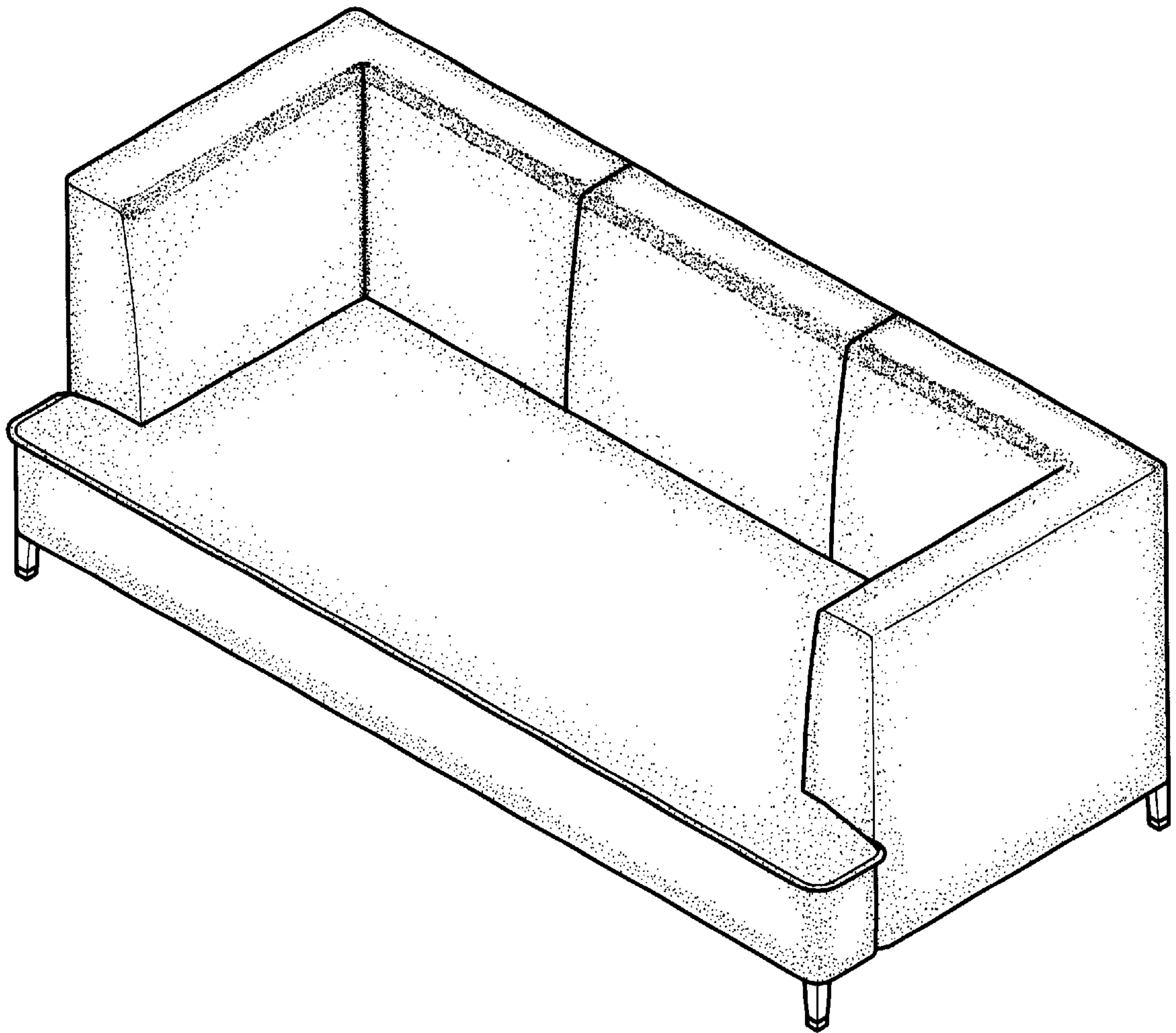
**DESCRIPTION**

FIG. 1 is a front perspective view of a sofa, showing my new design;  
FIG. 2 is a front elevational view thereof;  
FIG. 3 is a side elevational view thereof, the opposite side view being a mirror image thereof;  
FIG. 4 is a rear perspective view thereof;  
FIG. 5 is a top plan view thereof; and,  
FIG. 6 is a rear elevational view thereof.

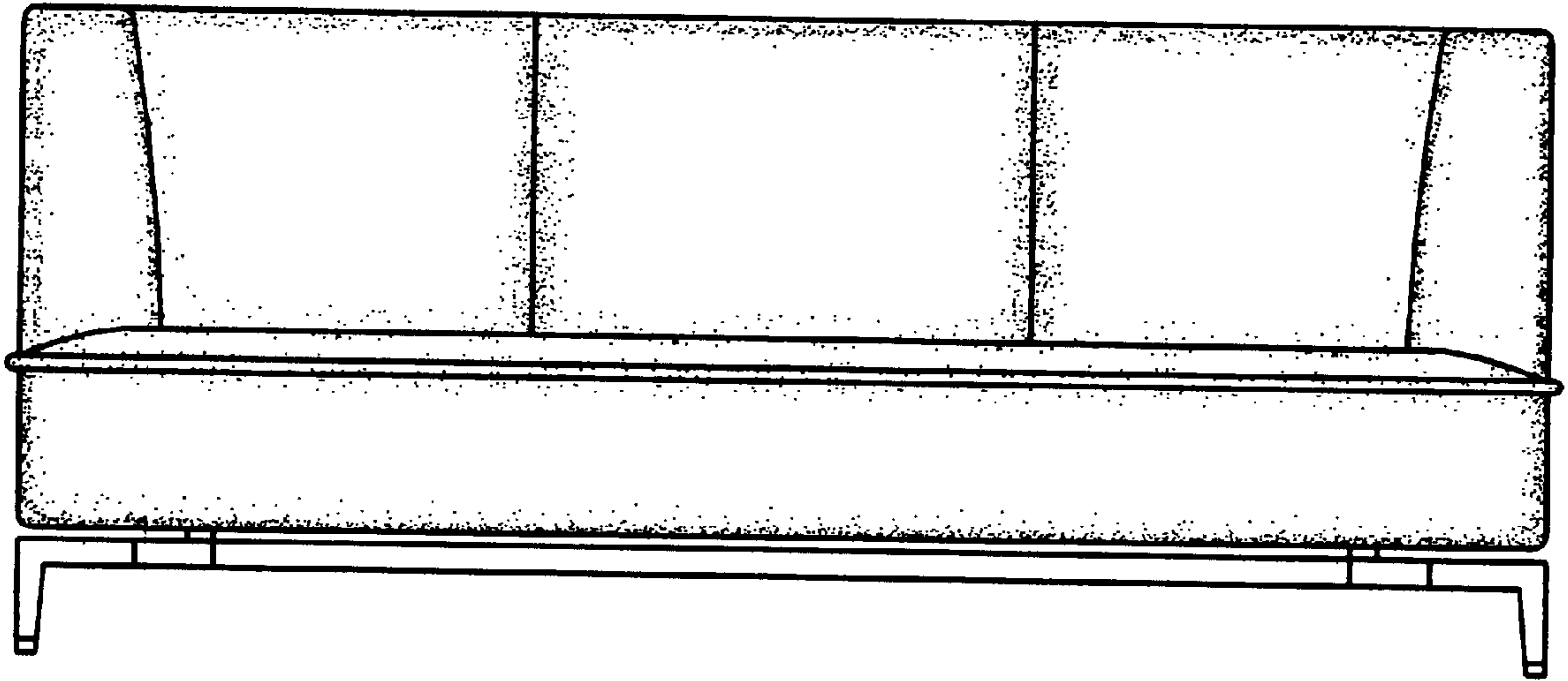
**1 Claim, 5 Drawing Sheets**



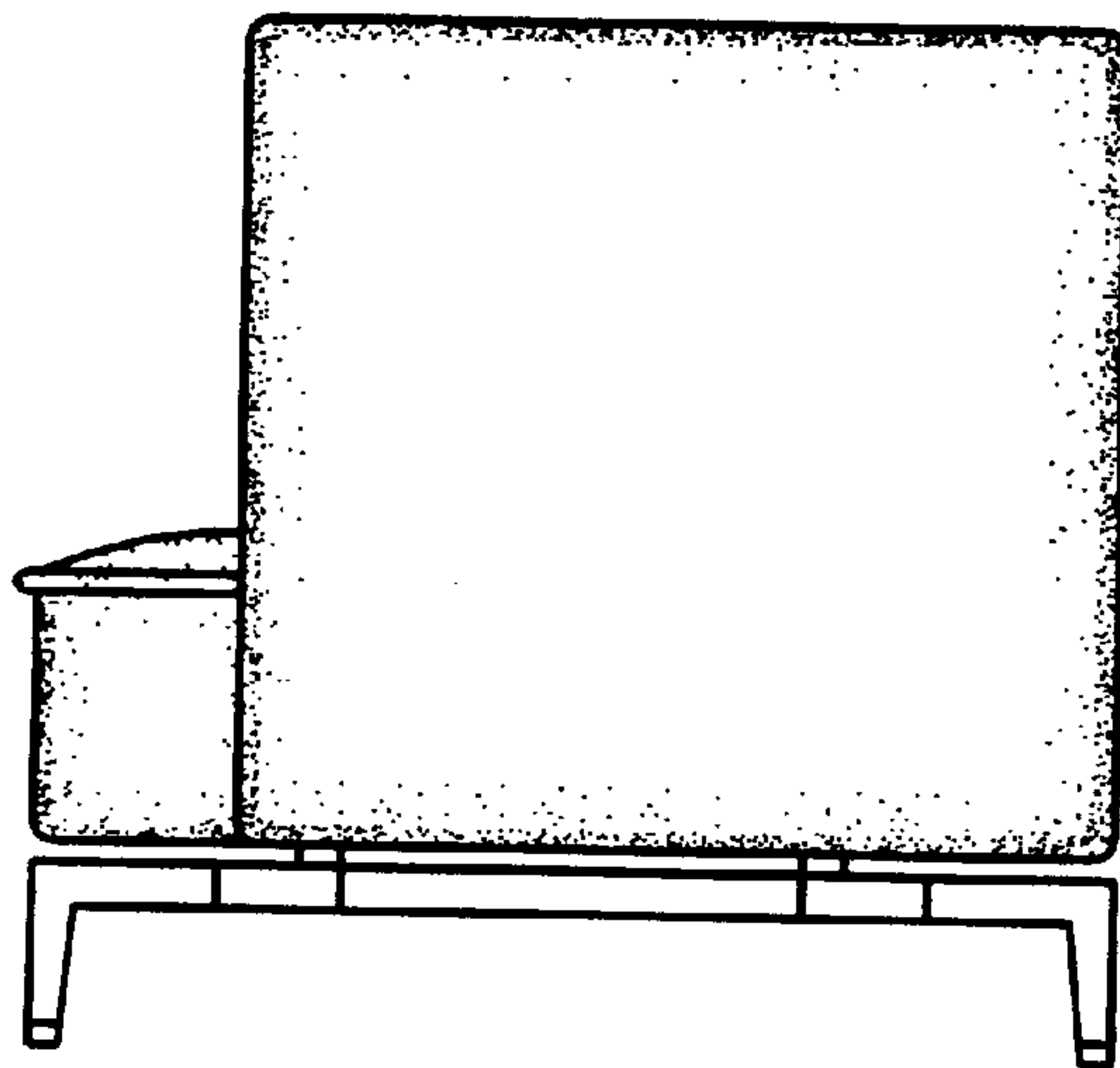
**FIG. 1**



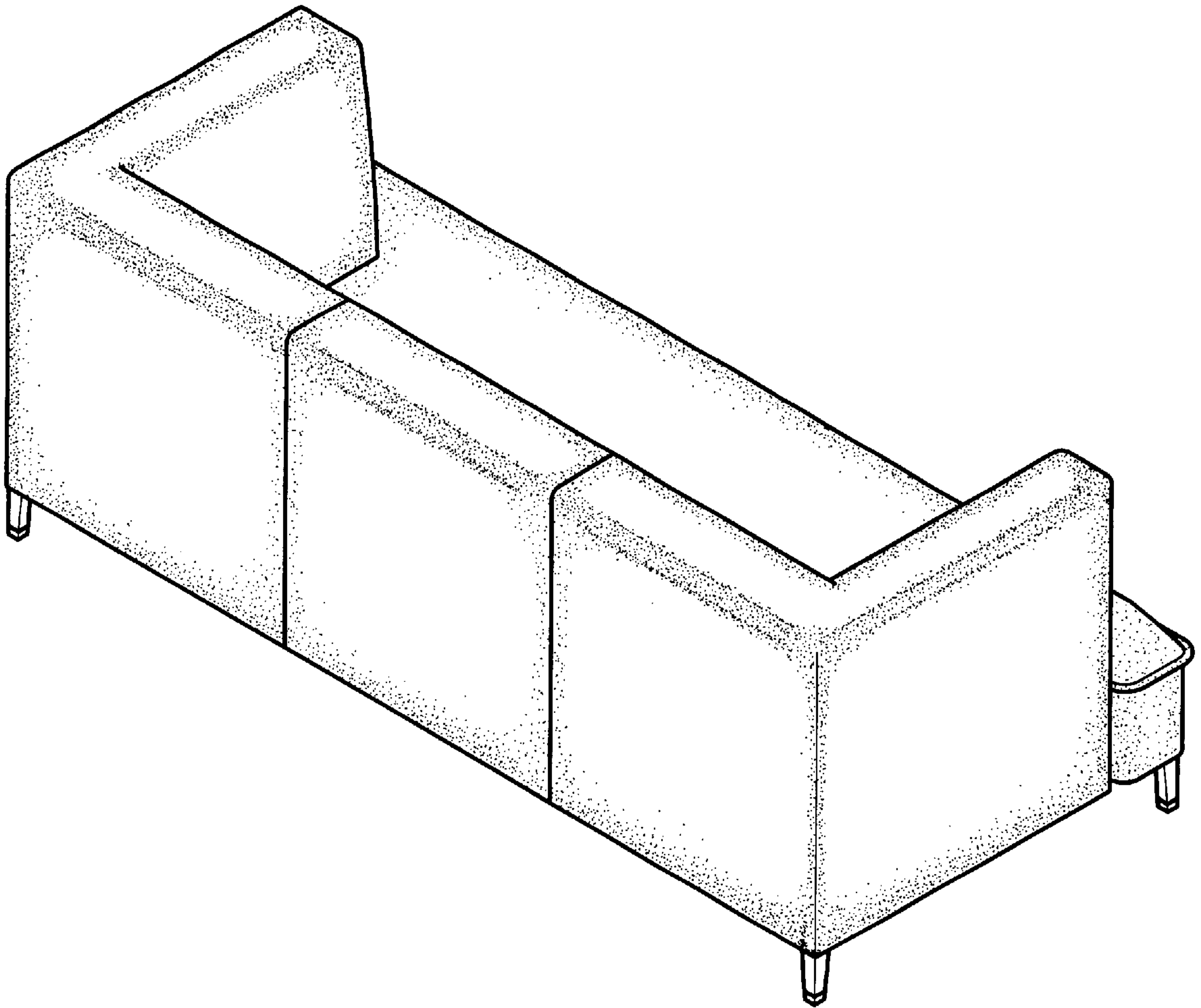
**FIG. 2**



**FIG. 3**

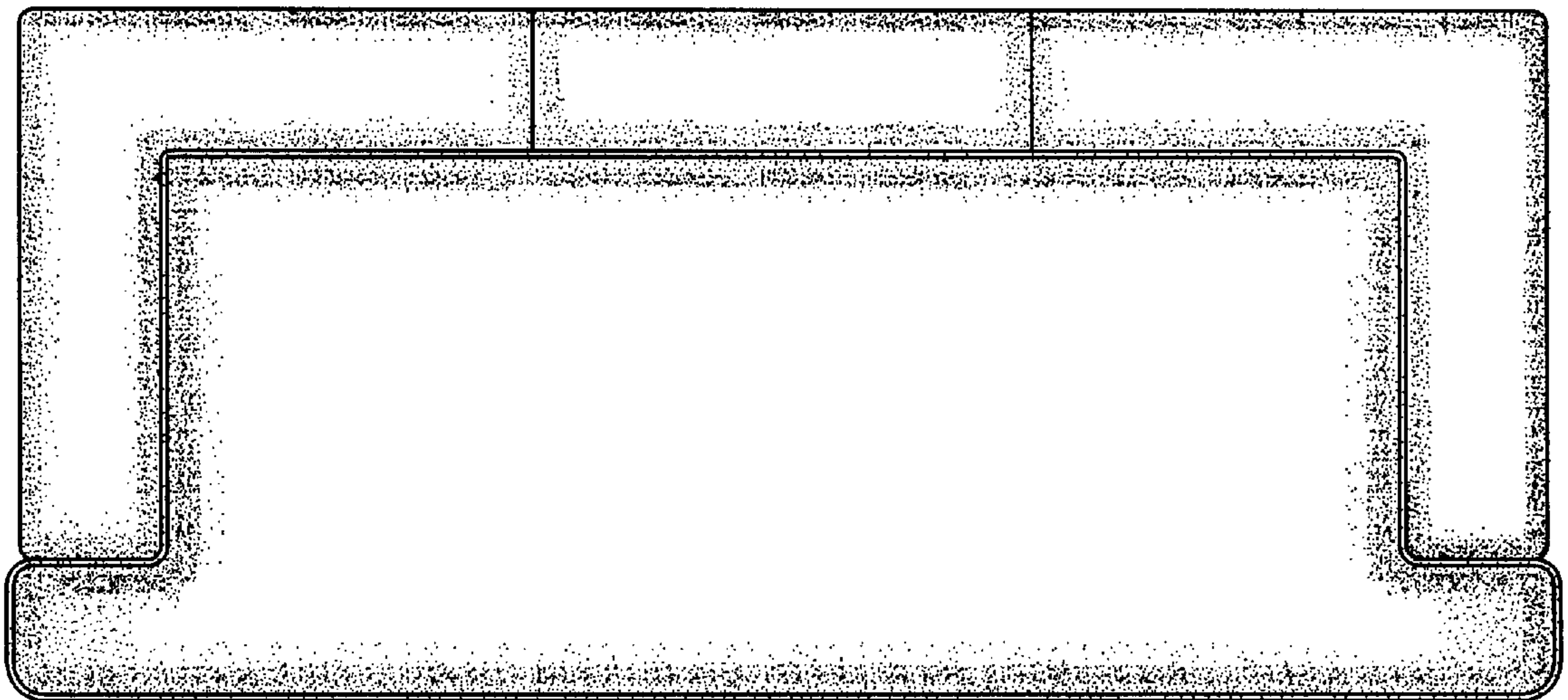


**FIG. 4**





**FIG. 5**



**FIG. 6**

