



US00D485081S

(12) **United States Design Patent**
Bongaerts

(10) **Patent No.:** **US D485,081 S**

(45) **Date of Patent:** **** Jan. 13, 2004**

(54) **CHAIR**
(76) Inventor: **William I. Bongaerts**, 194 Wexham Rd., Winston-Salem, NC (US) 27103
(**) Term: **14 Years**

D371,010 S	6/1996	Barile	D6/370
D386,379 S	11/1997	Kasuya	D6/360
D411,694 S	6/1999	Bartlmae	D6/380
D420,827 S	* 2/2000	Chu	D6/379
D420,828 S	2/2000	Bertoni	D6/380
D429,911 S	8/2000	Bartlmae	D6/380
D468,926 S	* 1/2003	Bongaerts	D6/380

(21) Appl. No.: **29/168,829**
(22) Filed: **Oct. 9, 2002**

Related U.S. Application Data

(62) Division of application No. 29/106,817, filed on Jun. 21, 1999, now Pat. No. Des. 468,926.
(51) **LOC (7) Cl.** **06-01**
(52) **U.S. Cl.** **D6/360; D6/380**
(58) **Field of Search** D6/334, 335, 360, D6/370, 374, 376, 379, 380, 500, 501, 502; 297/445.1, 446.1

(56) **References Cited**

U.S. PATENT DOCUMENTS

D85,029 S	9/1931	Clarke et al.	D6/374
D112,270 S	11/1938	Baum	D6/379
D174,592 S	4/1955	Pettibone	D6/379
D178,104 S	* 6/1956	Wolyn	D6/374
D217,450 S	5/1970	Craddock	D6/374
D224,952 S	10/1972	Wilson	D6/373
D236,395 S	8/1975	Kinsman	D6/374
D248,810 S	8/1978	Day	D6/375
D251,943 S	5/1979	Marl	D6/374
D292,656 S	11/1987	Masterton	D6/370
D353,719 S	12/1994	Ward	D6/370
D357,369 S	4/1995	Klein	D6/380
D364,744 S	12/1995	Hutton	D6/334
D366,772 S	2/1996	Pasin	D6/360

OTHER PUBLICATIONS

Photocopy of chairs and stools, B2–B8; undated, author unknown.

Photocopy of chairs and stools, C2–C8; undated, author unknown.

* cited by examiner

Primary Examiner—Gary D. Watson

(74) *Attorney, Agent, or Firm*—MacCord Mason PLLC

(57) **CLAIM**

The ornamental design for a chair, as shown and described.

DESCRIPTION

FIG. 1 is a perspective view of a chair showing my new design;

FIG. 2 is a front view thereof;

FIG. 3 is a side view, the opposite side being a mirror image thereof;

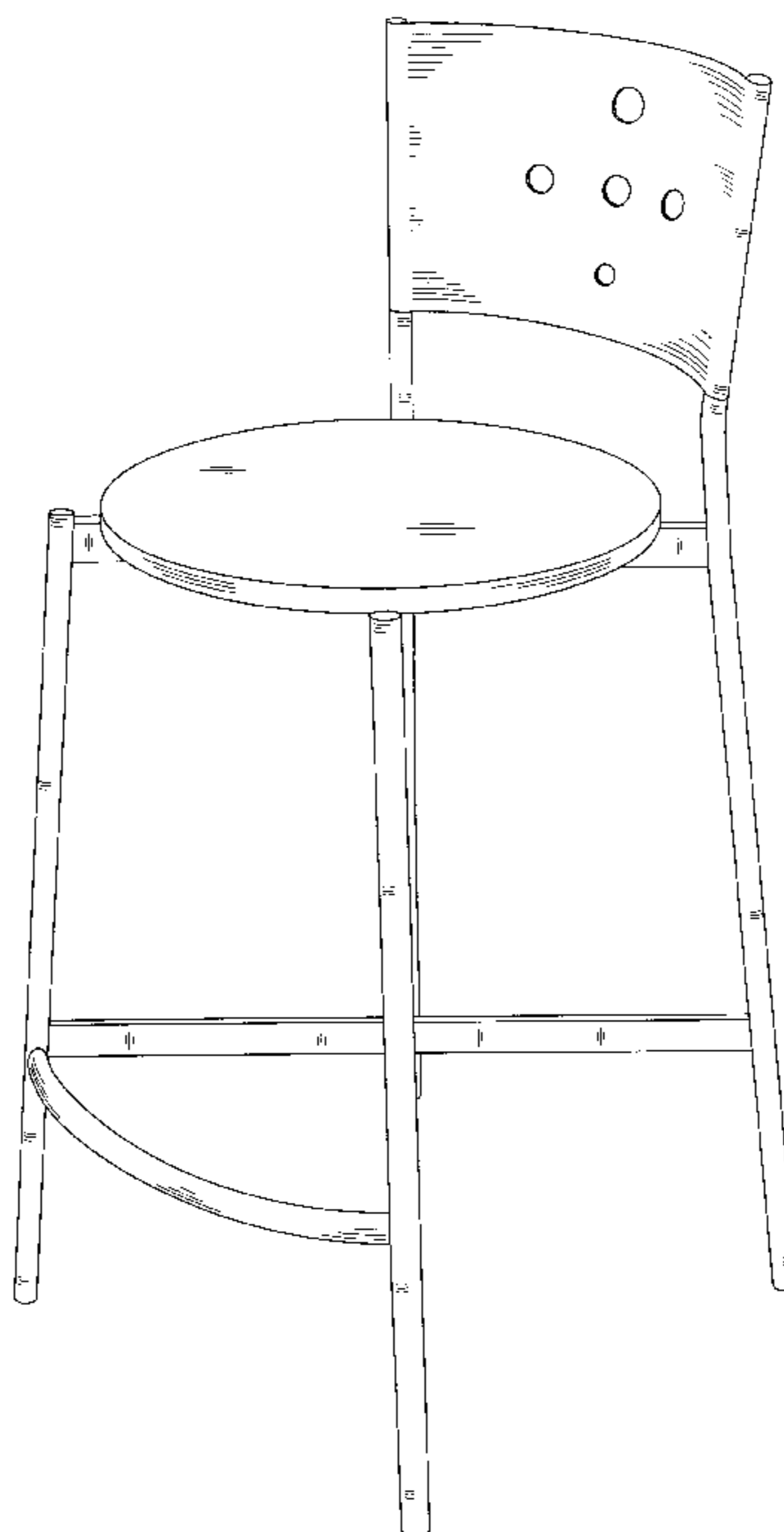
FIG. 4 is a back view thereof;

FIG. 5 is a top view; and,

FIG. 6 is a second embodiment of the design shown in FIGS. 1–5.

The bottom elevation view of the design is not shown and would not depict any aspect of the invention not already shown in the figures.

1 Claim, 6 Drawing Sheets



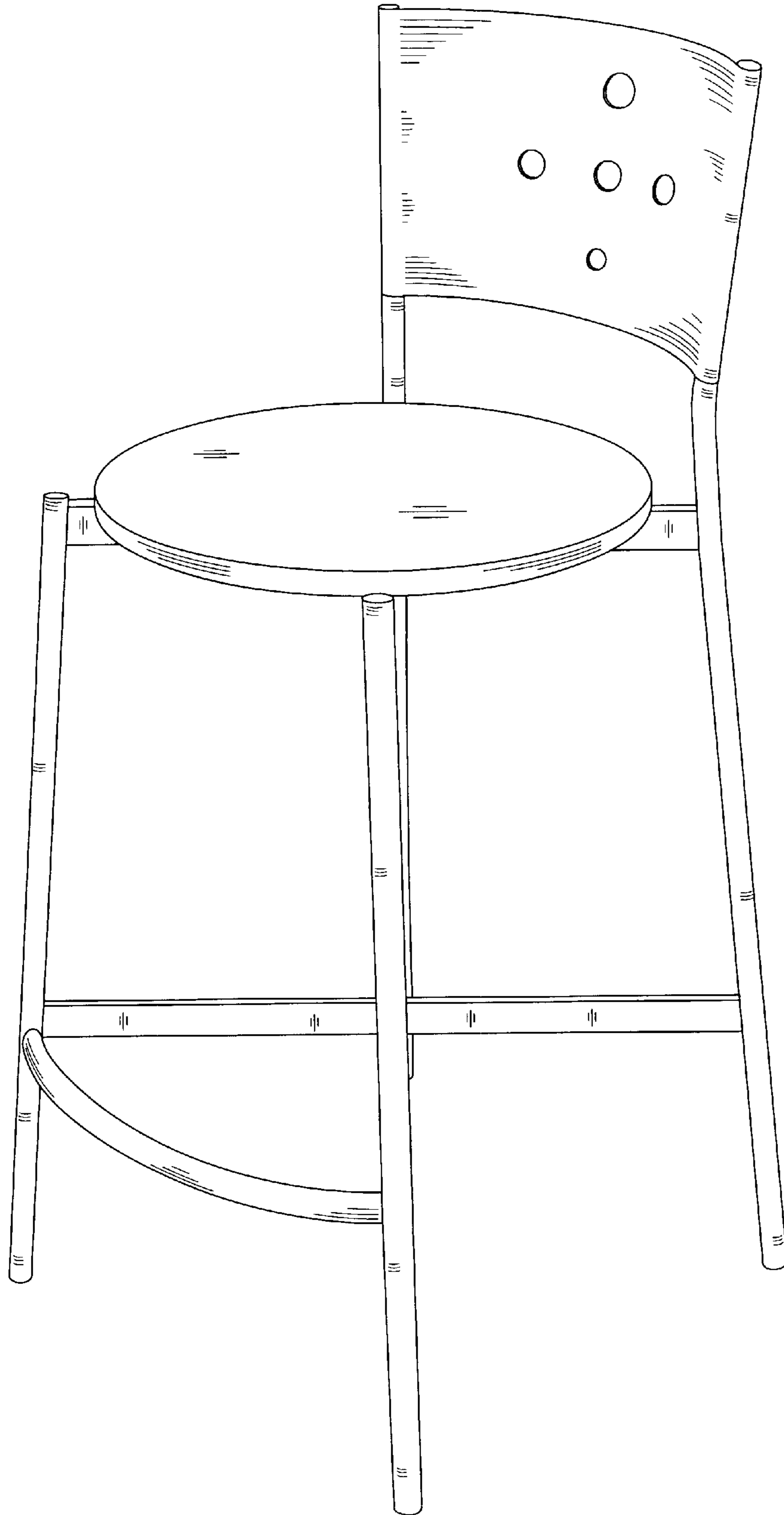


FIG. 1

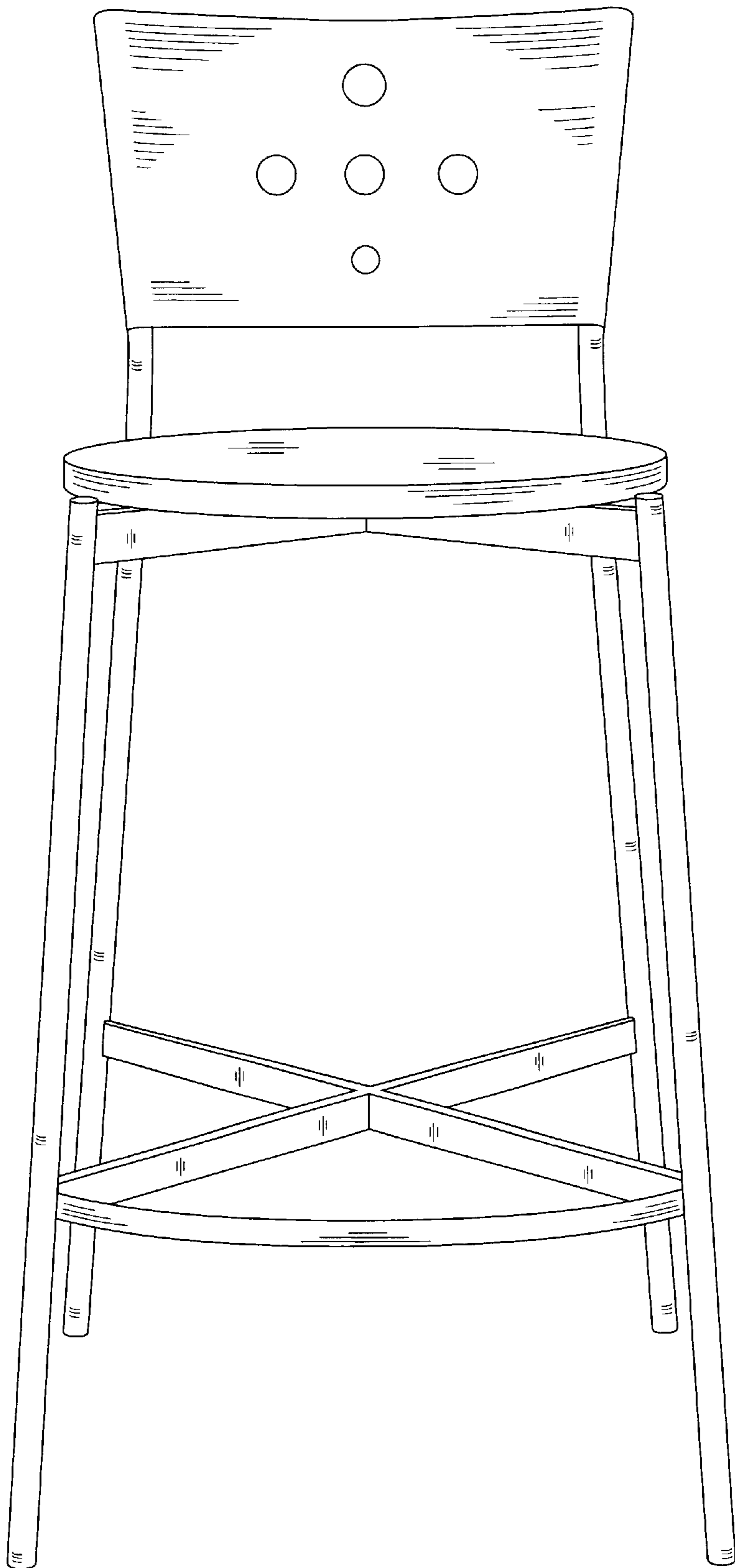


FIG. 2

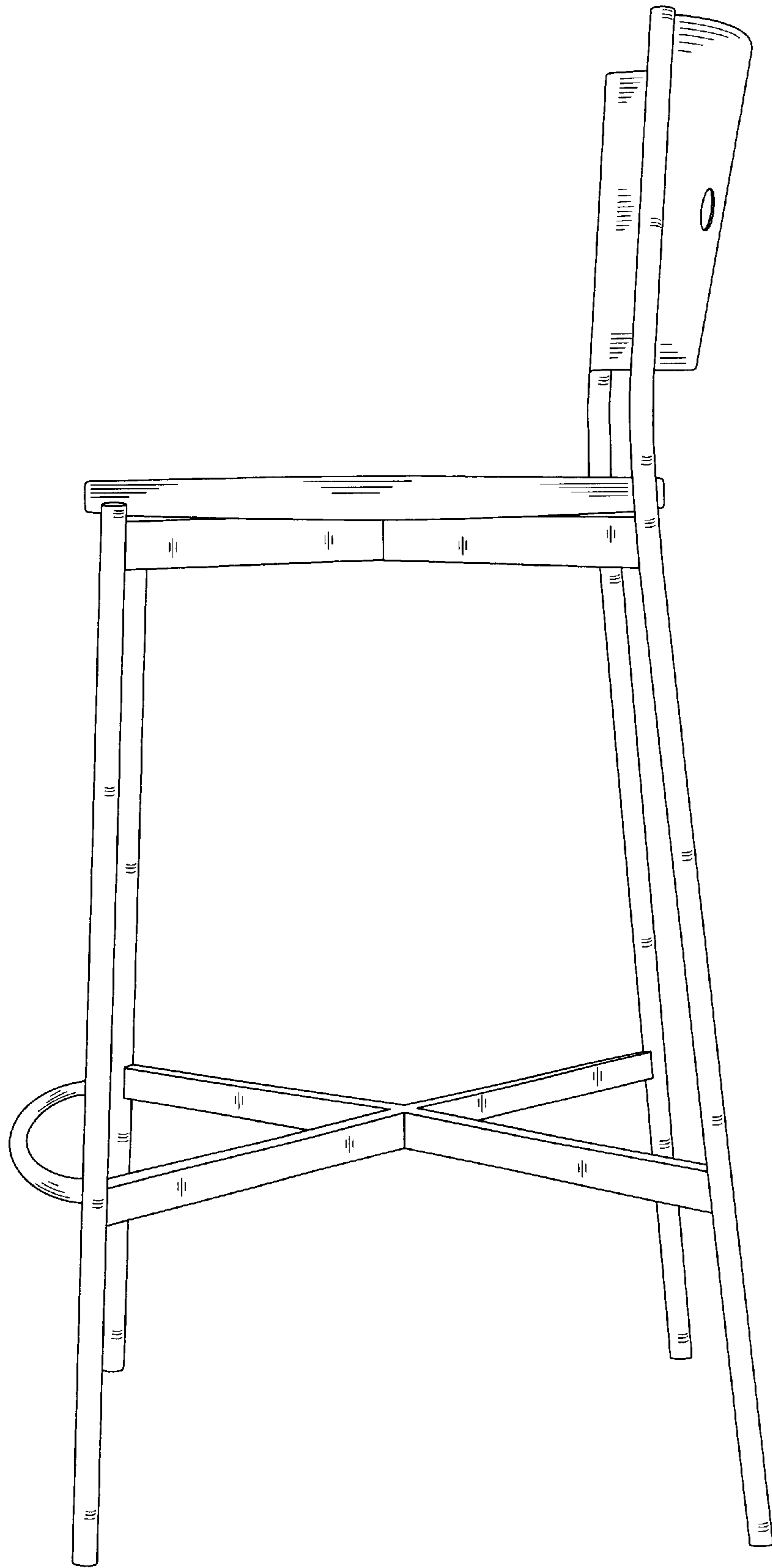


FIG. 3

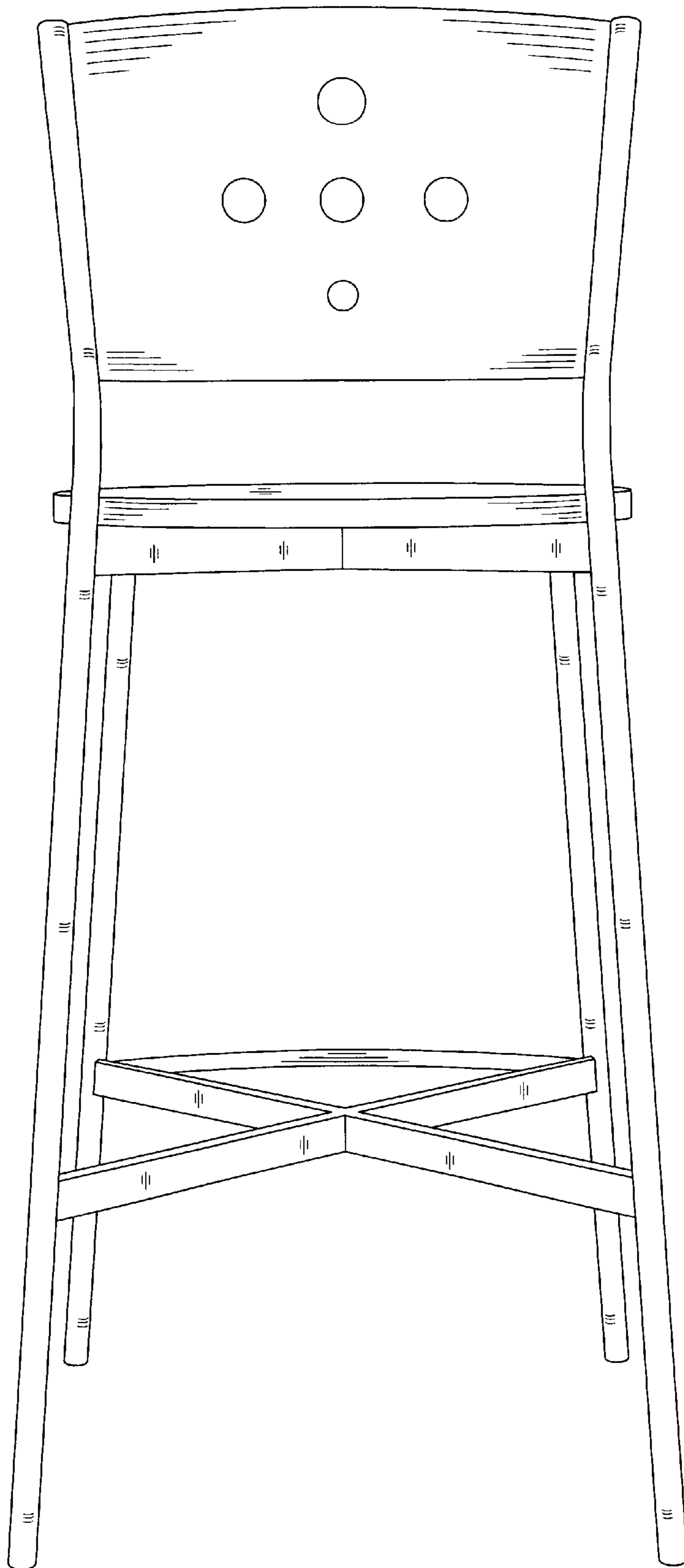


FIG. 4

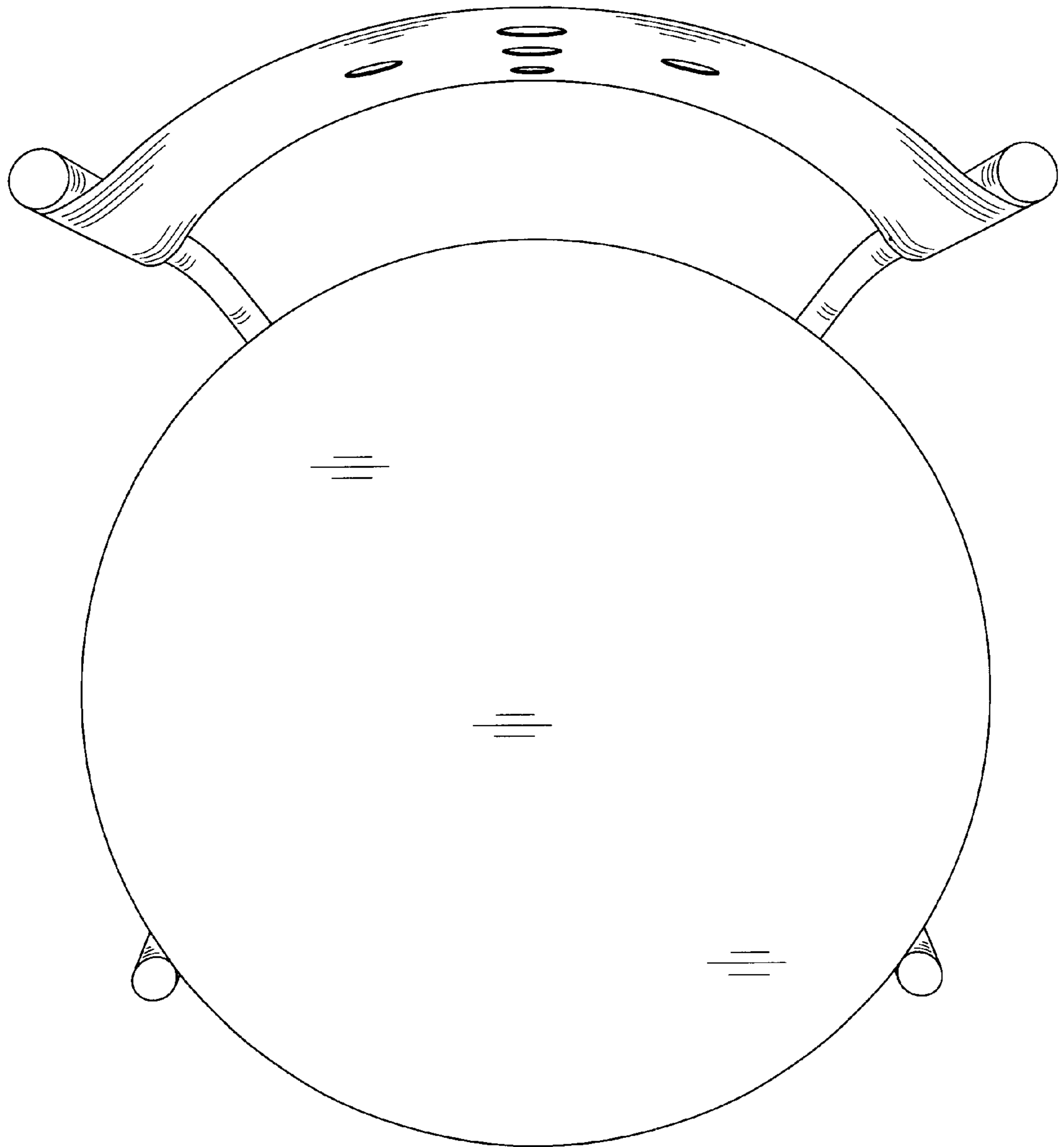


FIG. 5

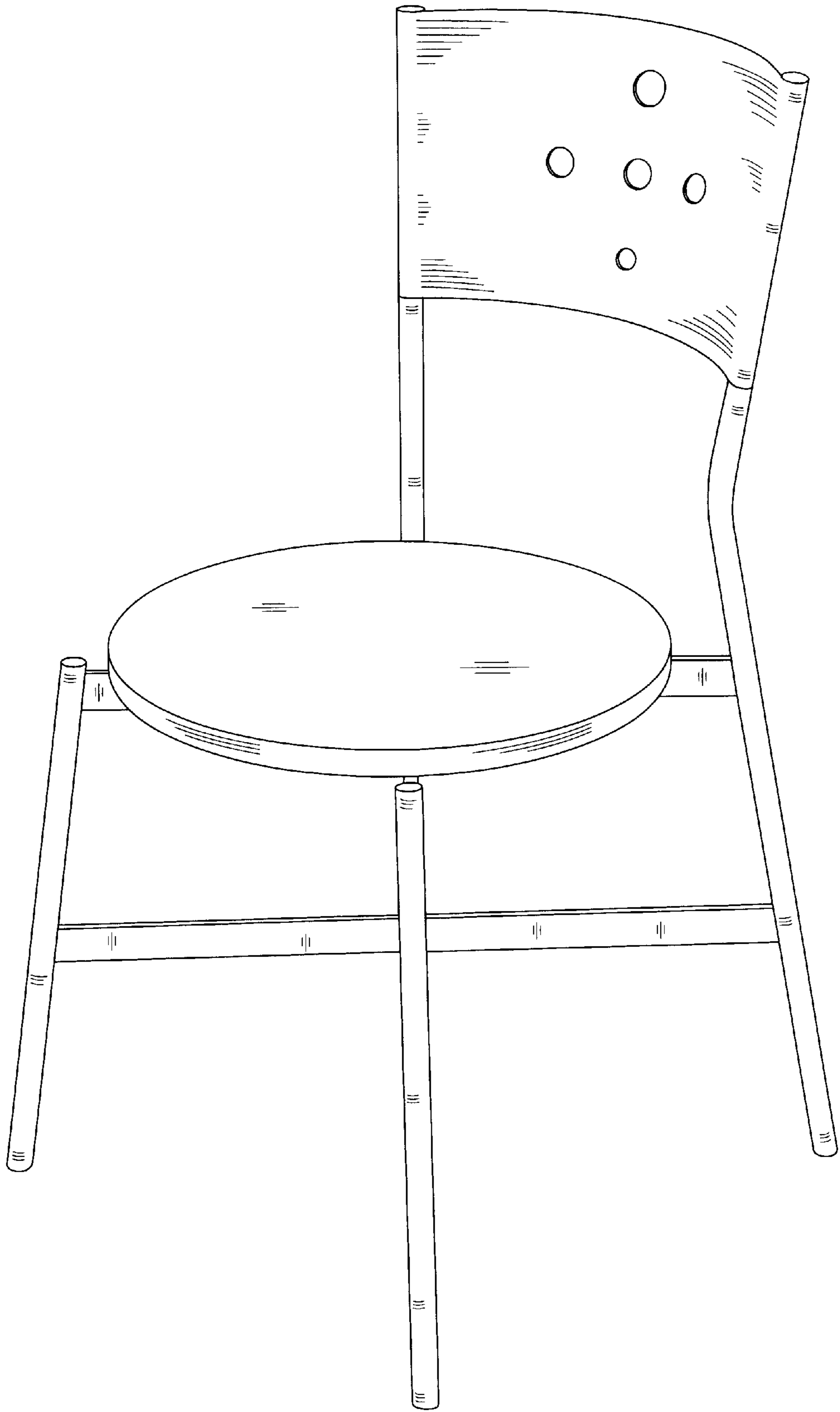


FIG. 6