



US00D485075S

(12) **United States Design Patent**  
**Hutchinson**

(10) **Patent No.:** **US D485,075 S**

(45) **Date of Patent:** **\*\* Jan. 13, 2004**

(54) **PET BRUSH WITH RESERVOIR AND  
HOLLOW BRISTLES FOR DISPENSING  
FLEA AND TICK MEDICATION**

5,509,378 A 4/1996 Kimura  
5,930,862 A \* 8/1999 Garrett ..... 15/142 X  
6,279,582 B1 \* 8/2001 Wang ..... 119/632 X

(76) **Inventor:** **Daniel K. Hutchinson**, 2707 Anderson  
Gibson Rd., Grapevine, TX (US)  
76051-2038

\* cited by examiner

*Primary Examiner*—Alan P. Douglas

*Assistant Examiner*—Lavone D. Tabor

(74) *Attorney, Agent, or Firm*—Donald R. Schoonover

(\*\*) **Term:** **14 Years**

(57) **CLAIM**

(21) **Appl. No.:** **29/178,188**

I claim the ornamental design for a pet brush with reservoir and hollow bristles for dispensing flea and tick medication, as shown and described.

(22) **Filed:** **Mar. 24, 2003**

(51) **LOC (7) Cl.** ..... **30-99**

**DESCRIPTION**

(52) **U.S. Cl.** ..... **D4/114; D4/136; D28/25;**  
D28/31; D30/159

(58) **Field of Search** ..... D4/114, 132, 136,  
D4/138; D8/13; D28/30-31, 25; D30/158,  
159; 15/142; 56/400.01, 400.17, 400.21;  
119/606, 602, 603, 605, 611-613, 615,  
625, 632, 633, 664; 132/219, 112-115

FIG. 1 is a perspective view of a pet brush with reservoir and hollow bristles for dispensing flea and tick medication showing my new design;

FIG. 2 is a front elevational view thereof;

FIG. 3 is a top plan view thereof;

FIG. 4 is a right side elevational view thereof, the left side elevational view being a mirror image thereof;

FIG. 5 is a rear elevational view thereof;

FIG. 6 is a bottom plan view thereof; and,

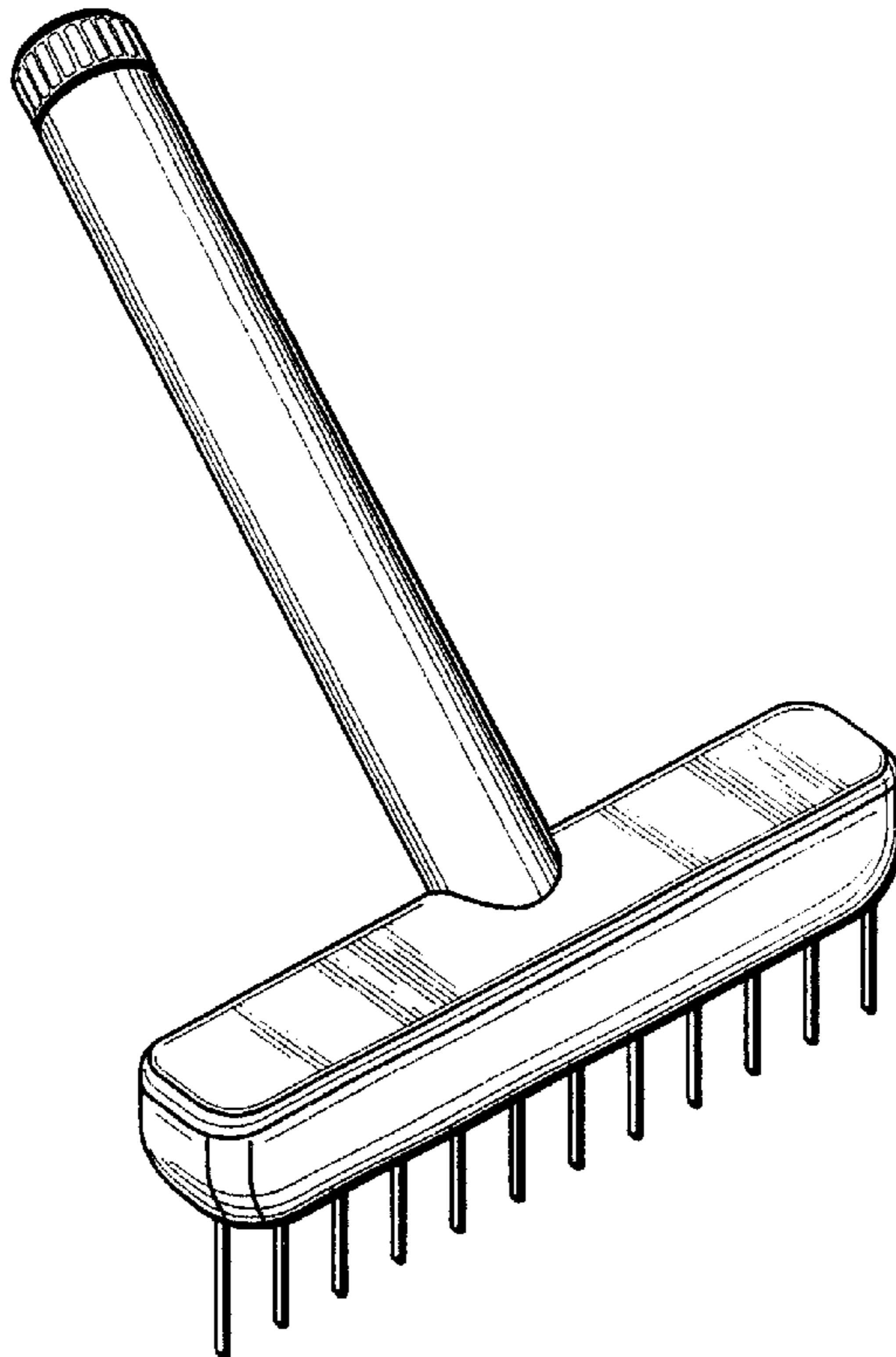
FIG. 7 is a perspective view showing the pet brush with reservoir and hollow bristles for dispensing flea and tick medication in use; the broken lines depict environmental structure for illustrative purposes only and form no part of the claimed design.

(56) **References Cited**

**U.S. PATENT DOCUMENTS**

1,629,389 A \* 5/1927 Johnson ..... 132/114  
D165,109 S 11/1951 Petrosky  
3,538,533 A \* 11/1970 Woods ..... 15/142 X  
D240,172 S \* 6/1976 Roettgen ..... D4/138  
4,254,738 A 3/1981 Stanley  
5,348,409 A 9/1994 Newman, Sr. et al.  
5,365,880 A 11/1994 South

**1 Claim, 4 Drawing Sheets**



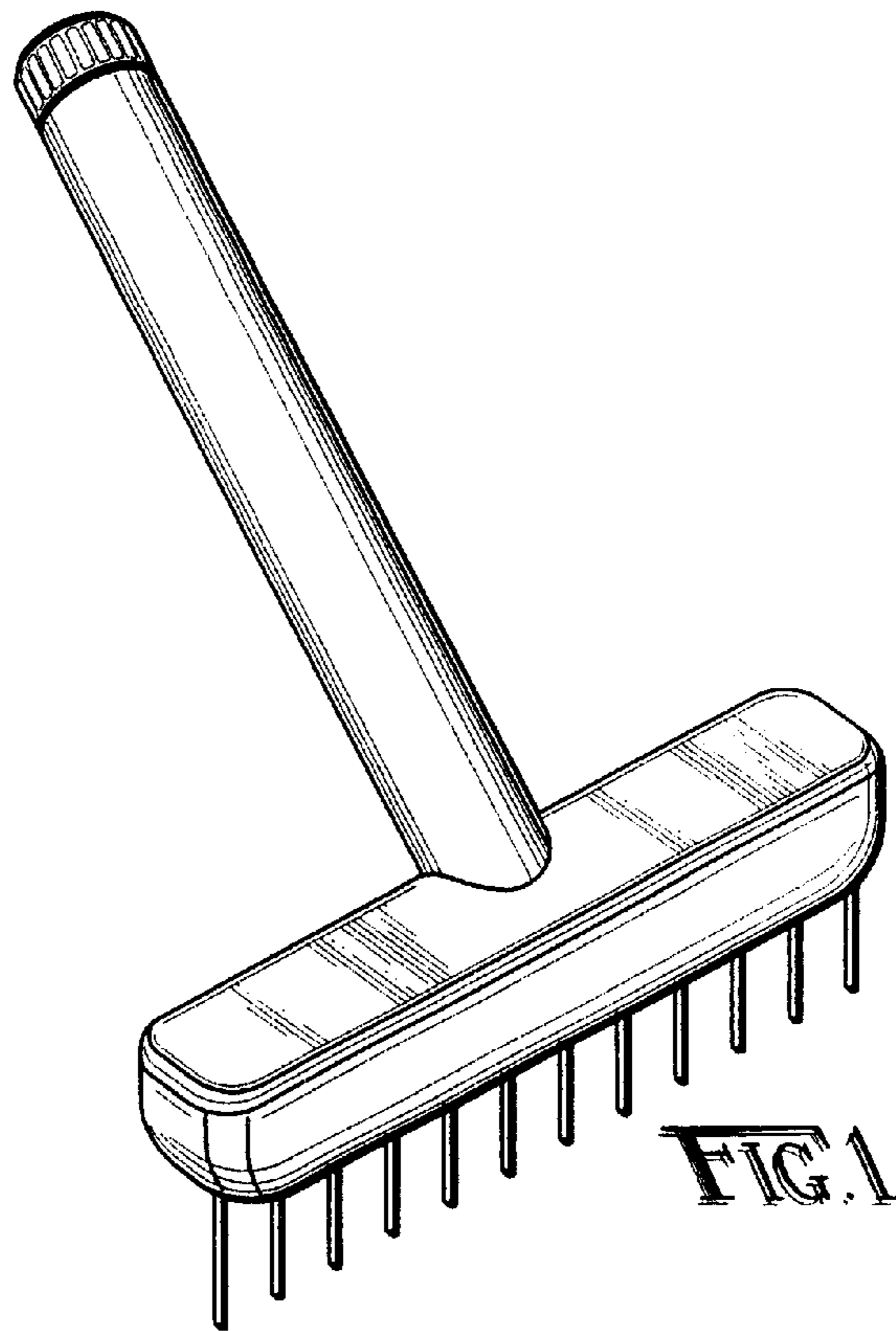


FIG. 1

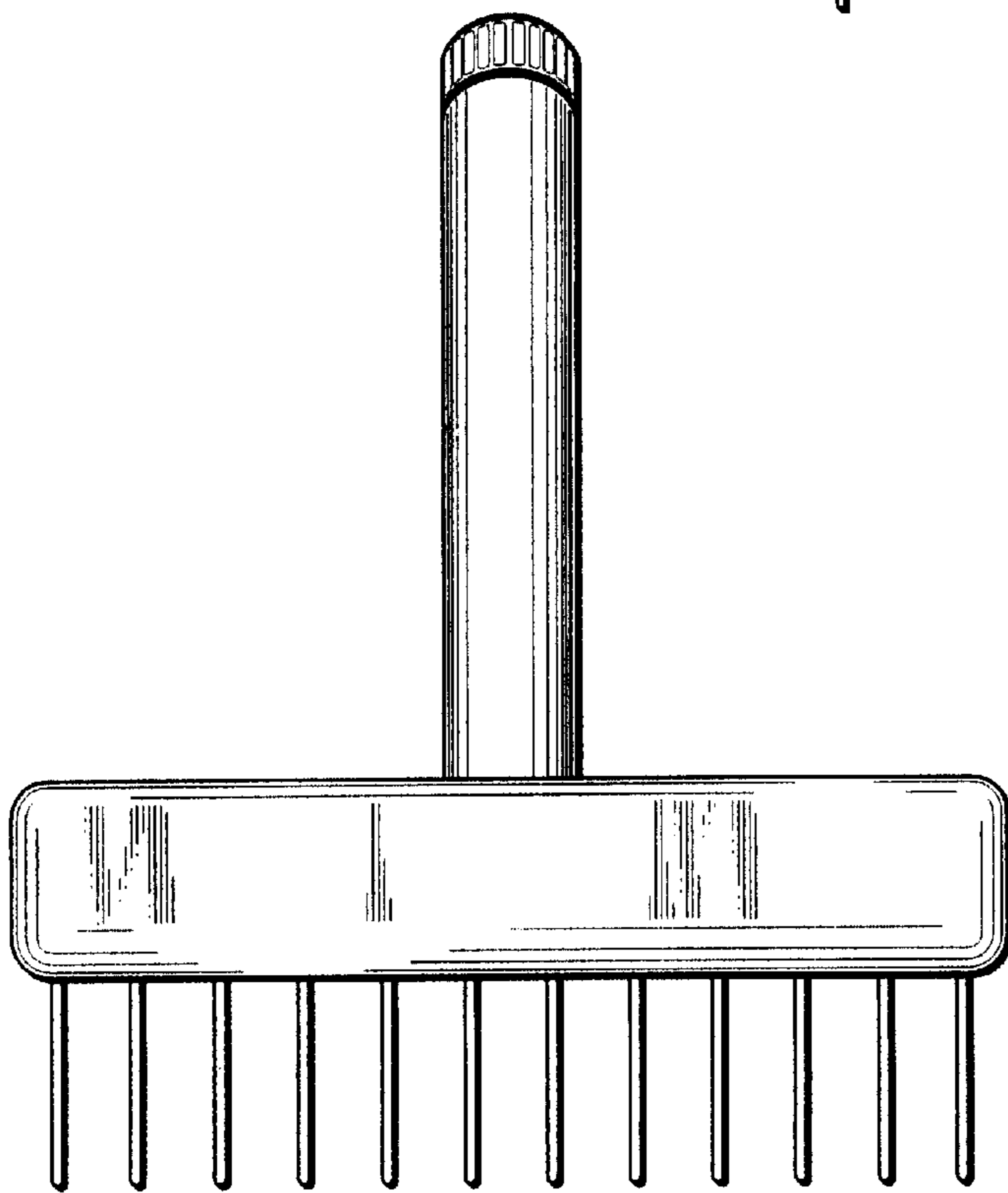


FIG. 2

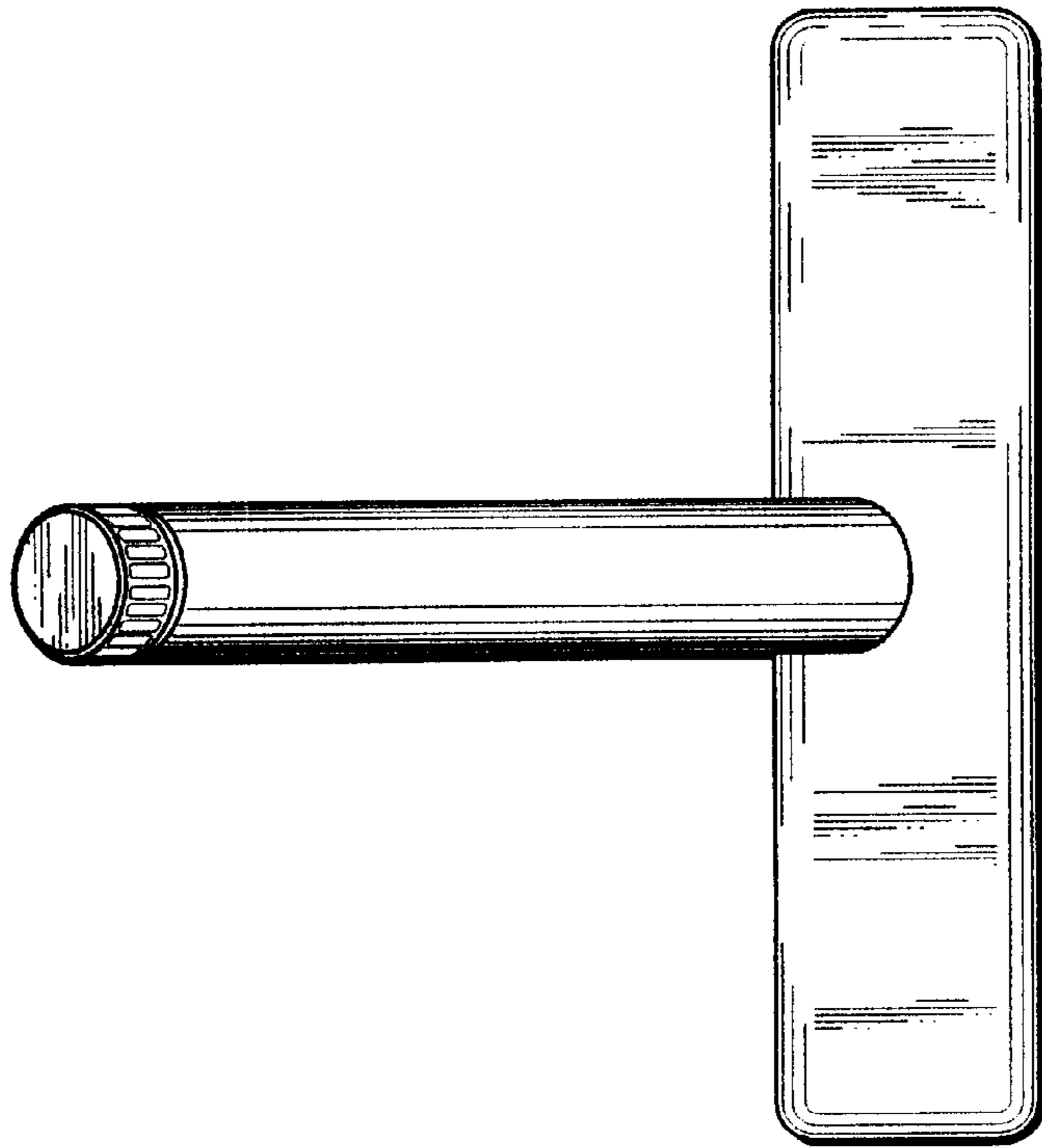


FIG. 3

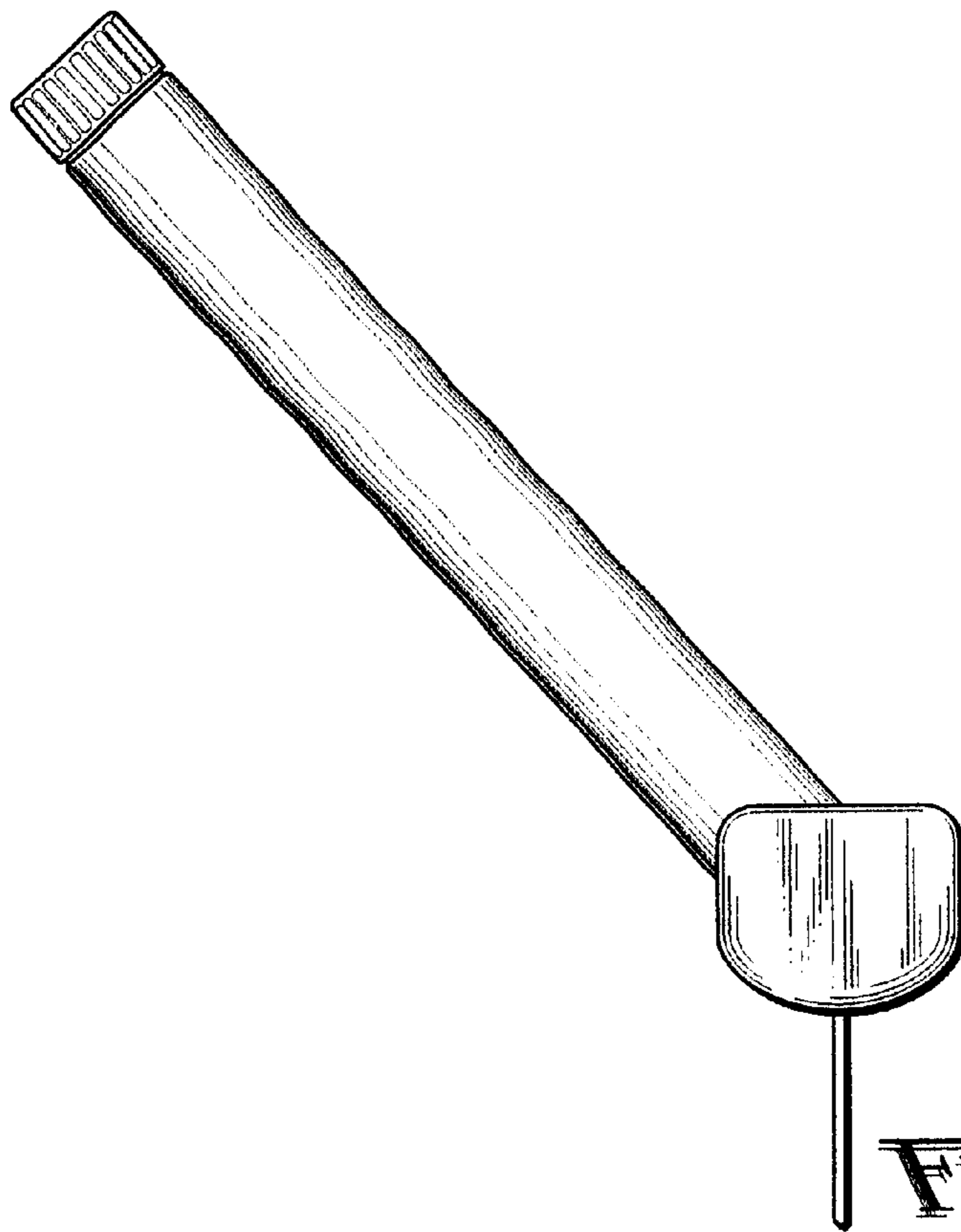


FIG. 4

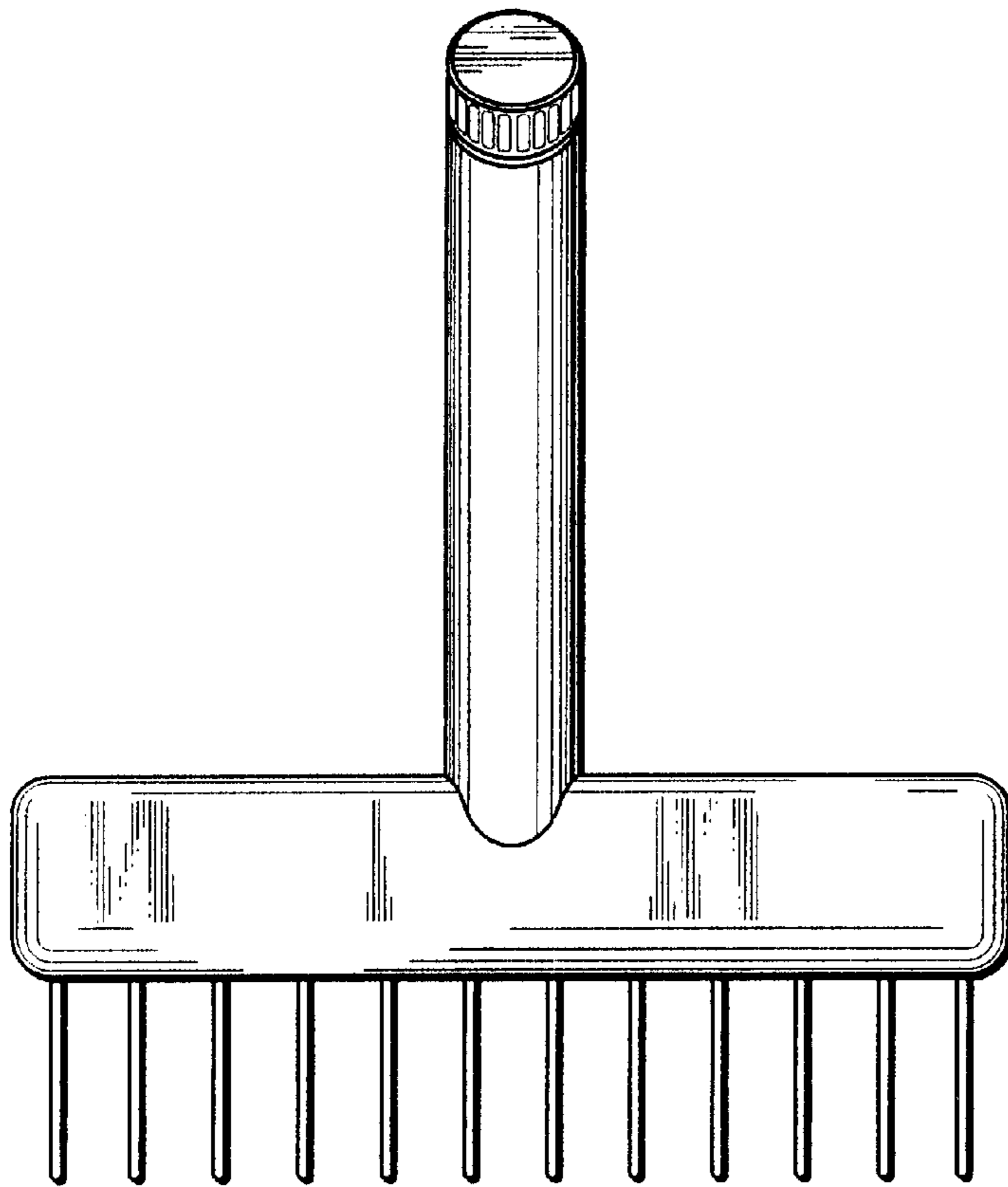


FIG. 5

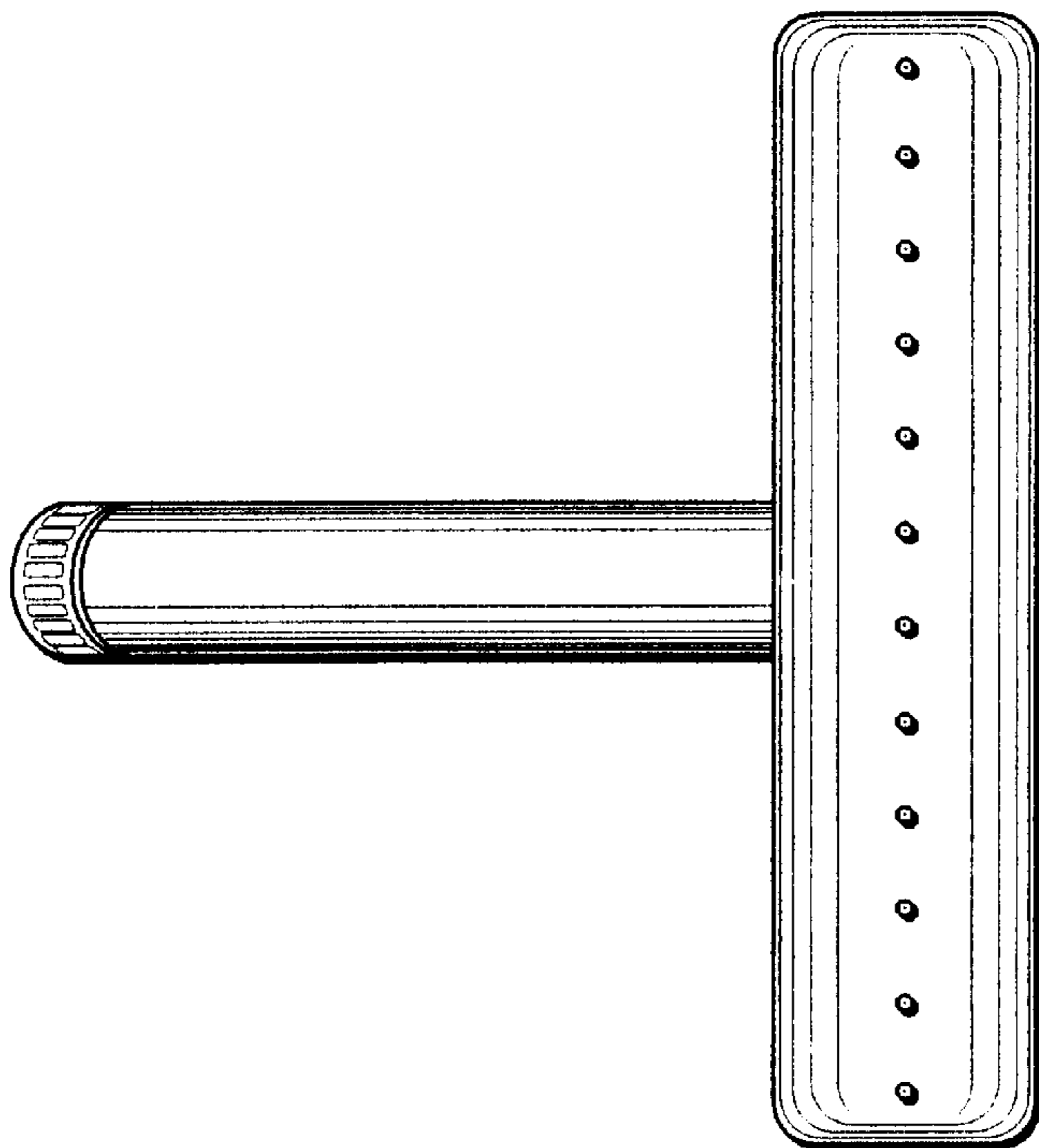


FIG. 6

