



US00D485072S

(12) **United States Design Patent**
Brown-Paschal

(10) **Patent No.:** **US D485,072 S**

(45) **Date of Patent:** **** Jan. 13, 2004**

(54) **FINGER-MOUNTED DENTAL CLOTH AND FLOSS**

(76) **Inventor:** **Patricia Brown-Paschal**, 451 Church St., New Britain, CT (US) 06051

(**) **Term:** **14 Years**

(21) **Appl. No.:** **29/174,162**

(22) **Filed:** **Jan. 13, 2003**

(51) **LOC (7) Cl.** **04-02**

(52) **U.S. Cl.** **D4/103; D28/65; D28/66**

(58) **Field of Search** **D28/65, 66; D4/103, D4/108, 116; 15/227, 167.1, 106, 110, 188; 132/321, 323, 329**

(56) **References Cited**

U.S. PATENT DOCUMENTS

1,200,596	A	10/1916	Daly	
1,894,413	A	*	1/1933	Nenning et al. 15/227
2,077,540	A	*	4/1937	Welker 401/7
3,696,821	A	*	10/1972	Adams, IV 132/324
3,897,796	A	*	8/1975	Erickson 132/321
4,134,172	A	*	1/1979	Arce 15/167.1
4,617,694	A	*	10/1986	Bori 15/167.1
4,941,487	A	*	7/1990	VanBeneden 132/323
D313,317	S	*	1/1991	Brunner et al. D4/103
5,068,941	A		12/1991	Dunn
5,107,562	A		4/1992	Dunn
5,213,428	A	*	5/1993	Salman 401/7

5,392,482	A	*	2/1995	Drulias et al. 15/104.94
D362,118	S	*	9/1995	Nelson D4/103
D363,606	S		10/1995	Abrahamson
5,636,405	A		6/1997	Stone et al.
5,765,252	A		6/1998	Carr
5,826,599	A		10/1998	Adams
5,875,513	A		3/1999	Reinold
6,116,252	A		9/2000	Stelmach

FOREIGN PATENT DOCUMENTS

FR 2571601 * 11/1984 15/227

* cited by examiner

Primary Examiner—Lucy Lieberman

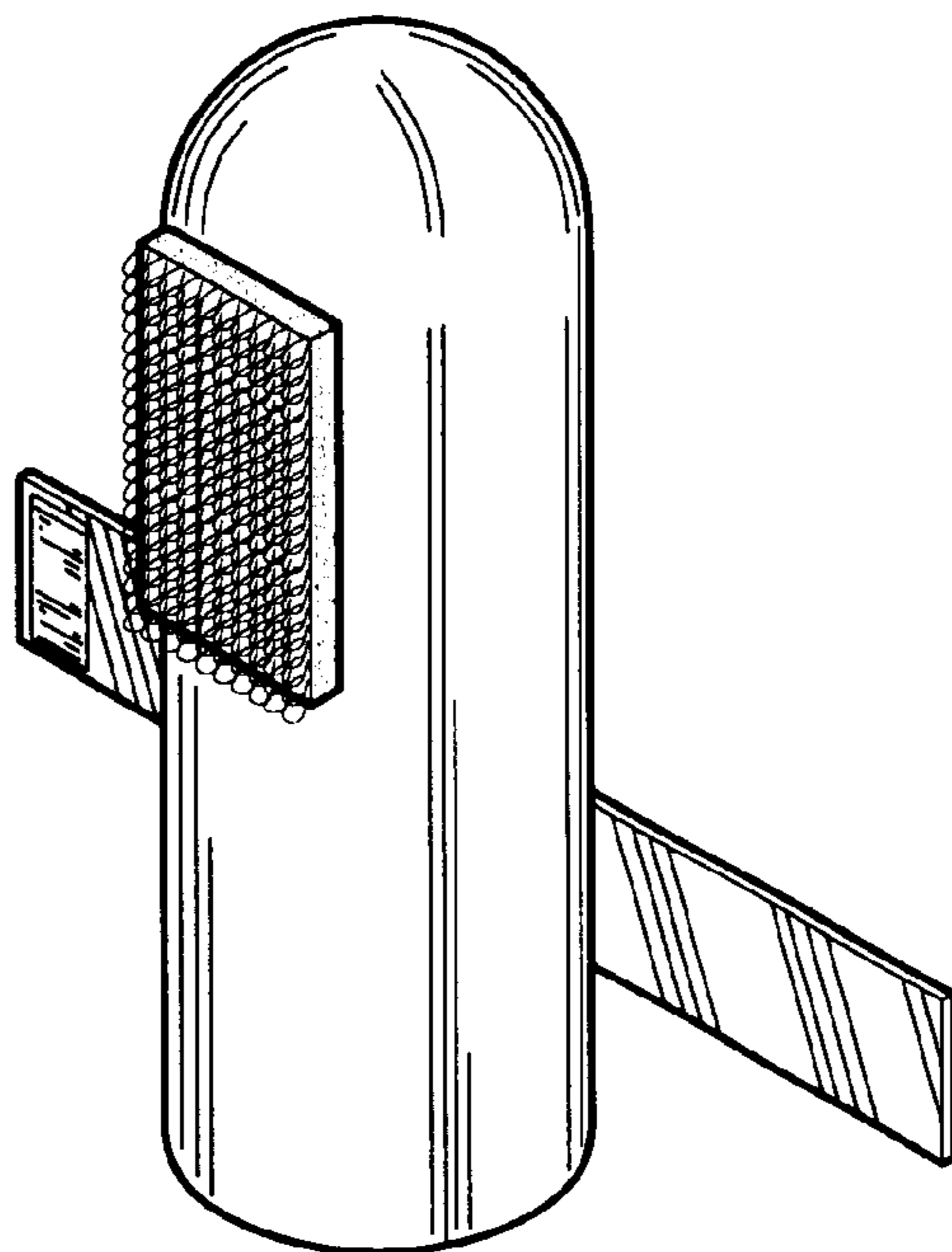
(57) **CLAIM**

The ornamental design for a finger-mounted dental cloth and floss, as shown and described.

DESCRIPTION

FIG. 1 is a perspective view of a finger-mounted dental cloth and floss showing my new design; FIG. 2 is a front elevational view thereof; FIG. 3 is a side elevation as seen from the right side of FIG. 2; FIG. 4 is a side elevation as seen from the left side of FIG. 2; FIG. 5 is a top plan view thereof; and, FIG. 6 is a bottom plan view thereof.

1 Claim, 2 Drawing Sheets



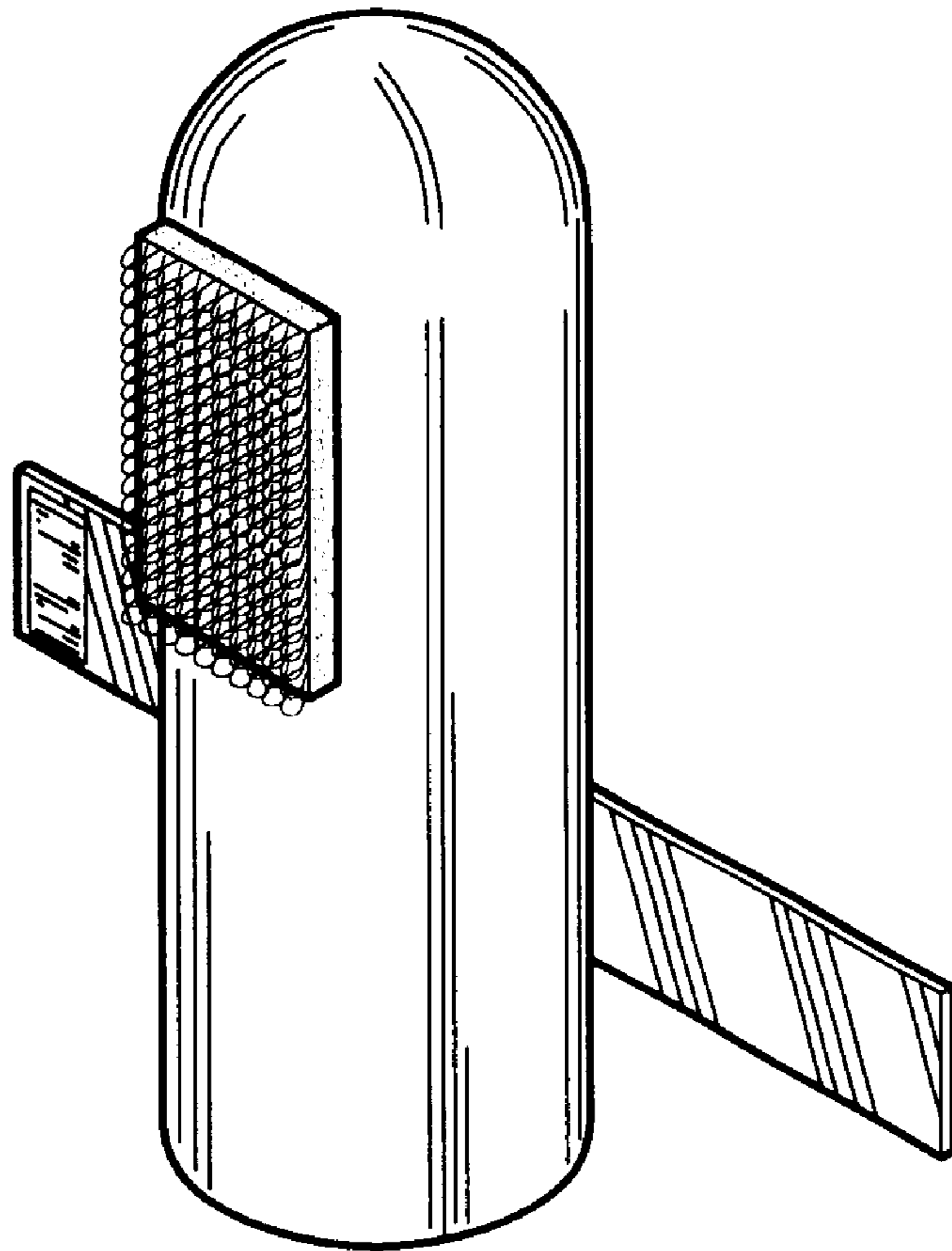


Fig. 1

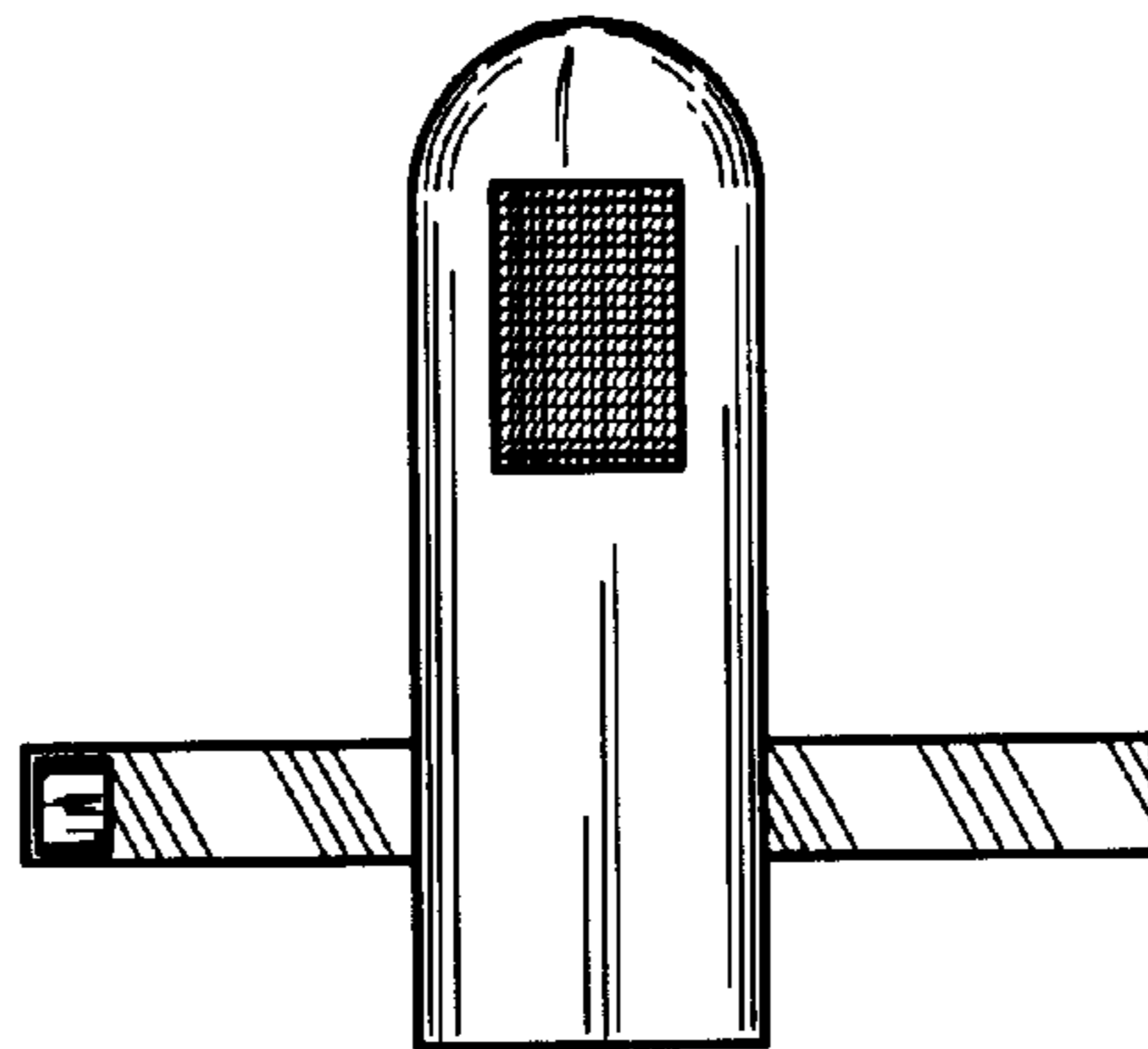


Fig. 2

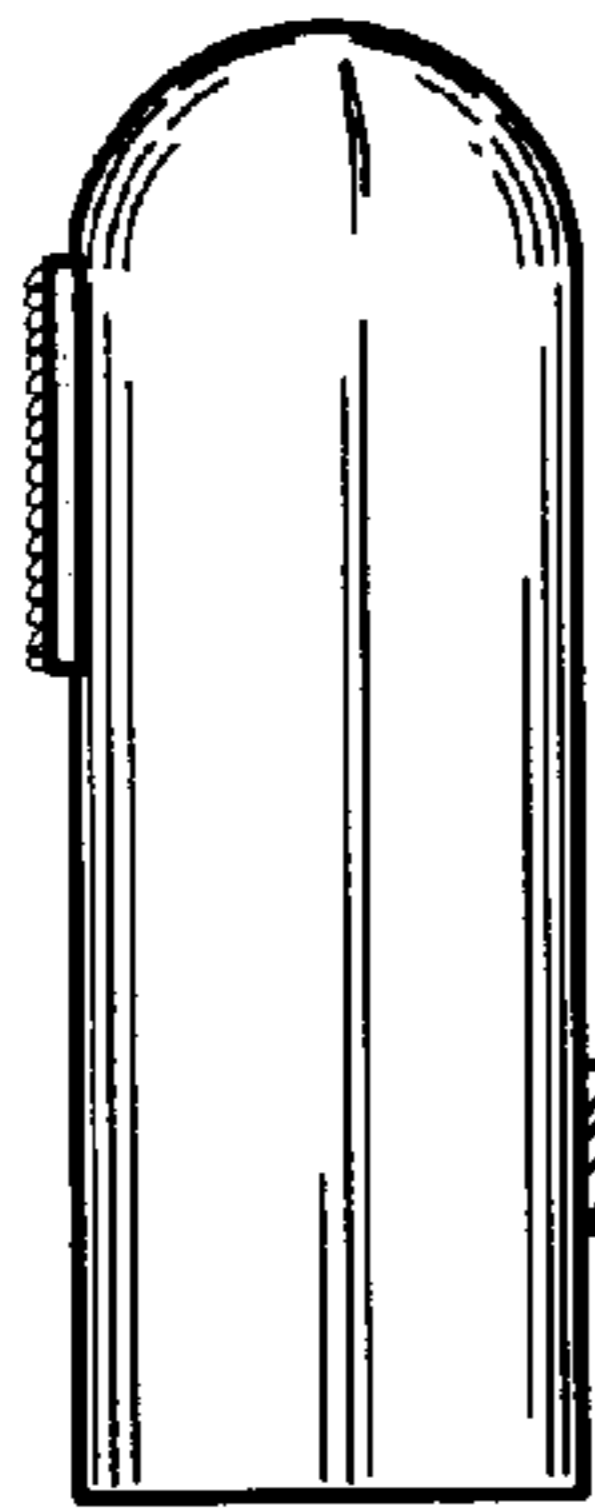


Fig. 3

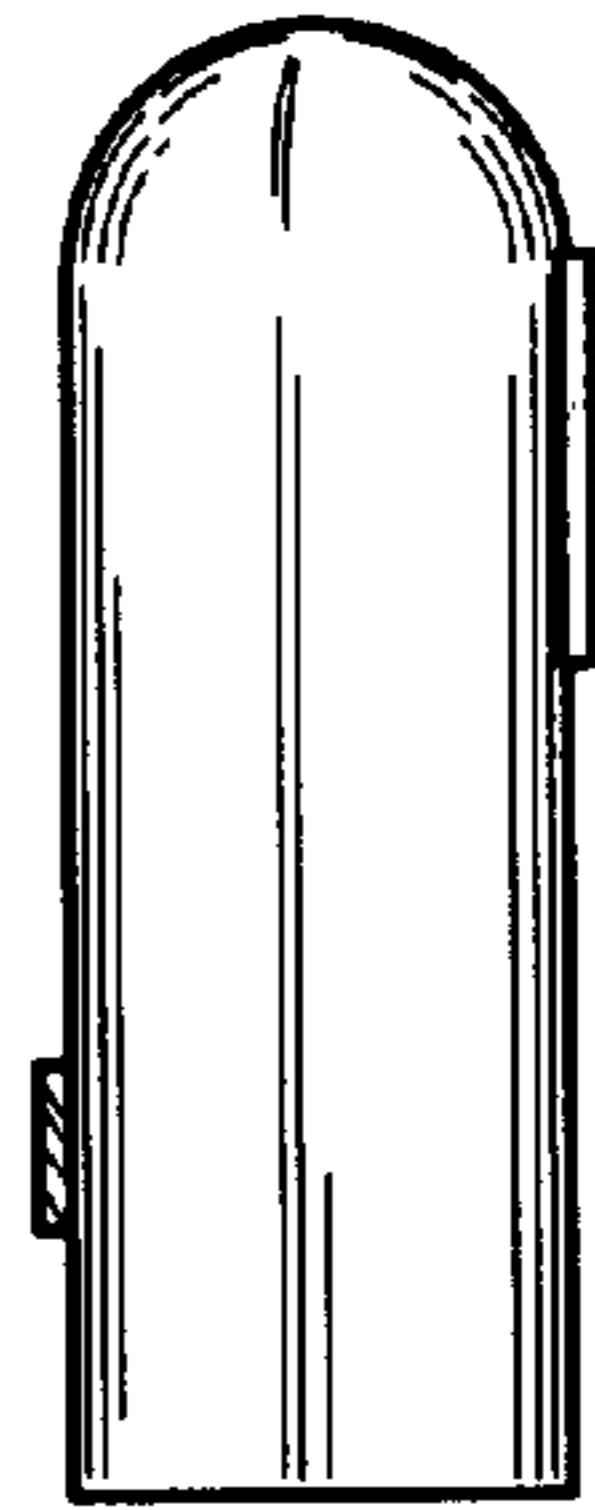


Fig. 4

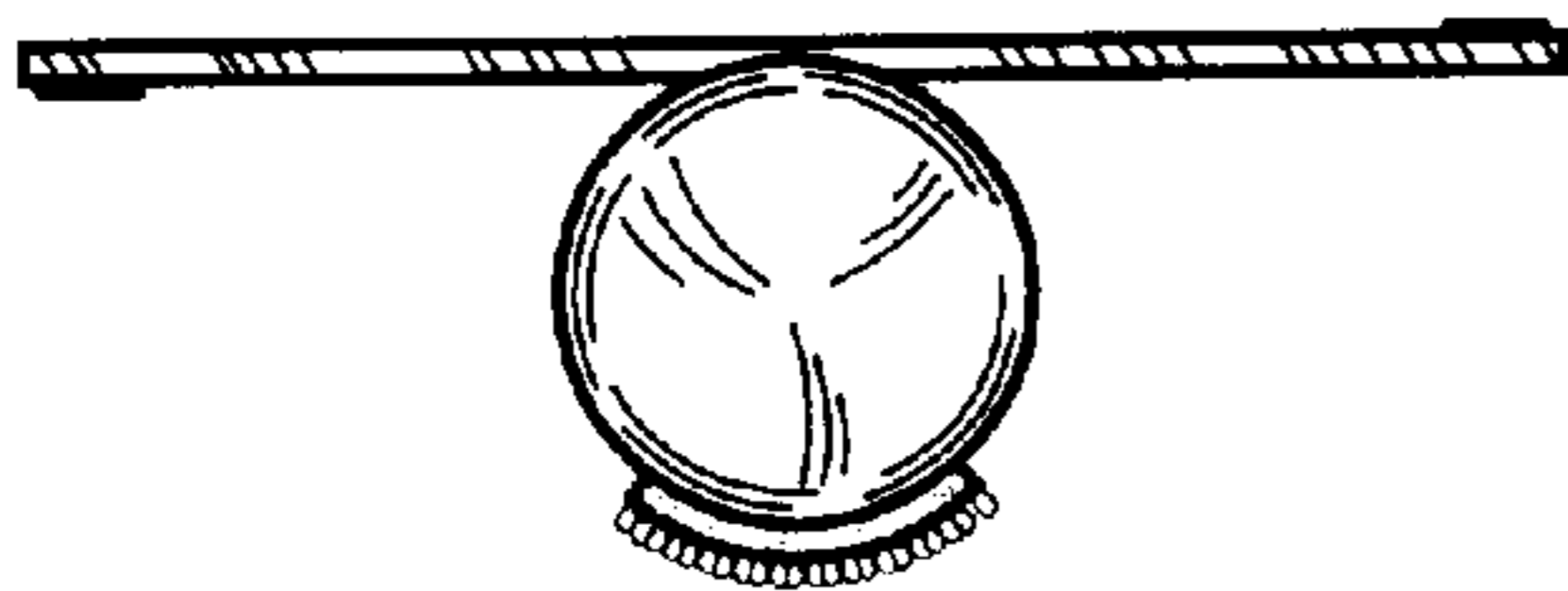


Fig. 5

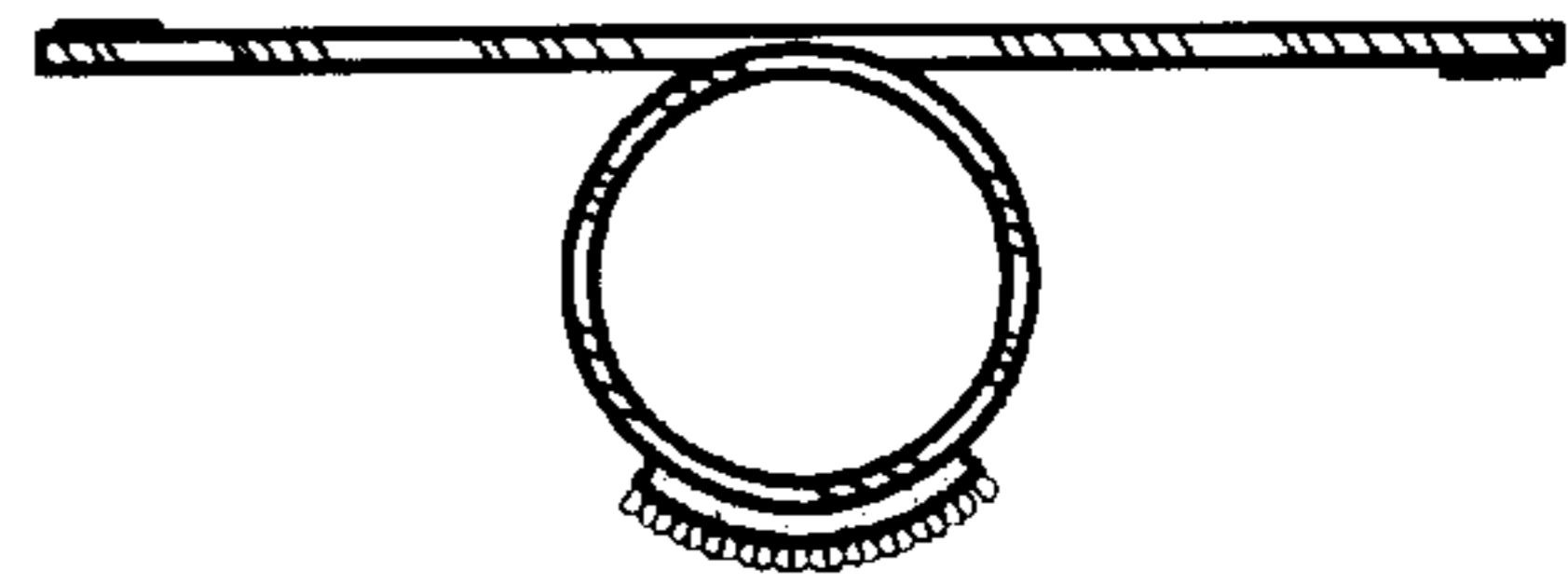


Fig. 6