



US00D485070S

(12) **United States Design Patent**
Jessen et al.

(10) **Patent No.:** **US D485,070 S**

(45) **Date of Patent:** **** Jan. 13, 2004**

(54) **BUCKET COLLAR**

(75) Inventors: **Caroline Abild Jessen, Århus (DK);
Peter Mathiasen, Århus (DK)**

(73) Assignee: **Interlego AG**

(**) Term: **14 Years**

(21) Appl. No.: **29/167,812**

(22) Filed: **Sep. 20, 2002**

(51) **LOC (7) Cl.** **03-99**

(52) **U.S. Cl.** **D3/318**

(58) **Field of Search** D3/315, 318, 323,
D3/325, 326; D21/472, 483, 583; D32/53,
53.1, 54; 206/501, 508, 509, 515, 519;
220/212, 23.4, 755, 782, 792, 795, 642,
643; 446/125, 128; 434/259

(56) **References Cited**

U.S. PATENT DOCUMENTS

1,716,725	A	*	6/1929	Gruber	220/642
D188,396	S	*	7/1960	Bliss	D32/53
3,340,781	A	*	9/1967	See	446/125
D384,204	S	*	9/1997	Lippisch	D3/318
D398,664	S	*	9/1998	Freelander	D32/53 X
D420,221	S	*	2/2000	Williams et al.	D3/315

* cited by examiner

Primary Examiner—Louis S. Zarfaz
Assistant Examiner—Monica A. Weingart
(74) *Attorney, Agent, or Firm*—Pitney, Hardin, Kipp & Szuch LLP

(57) **CLAIM**

The ornamental design for a bucket collar, as shown and described.

DESCRIPTION

FIG. 1 is a perspective view of the bucket collar of the present design from the top thereof, the remainder of the bucket is shown in phantom;

FIG. 2 is a perspective view thereof from the bottom thereof, the remainder of the bucket is shown in phantom;

FIG. 3 is a right side elevational view thereof, the remainder of the bucket is shown in phantom;

FIG. 4 is a left side elevational view thereof, the remainder of the bucket is shown in phantom;

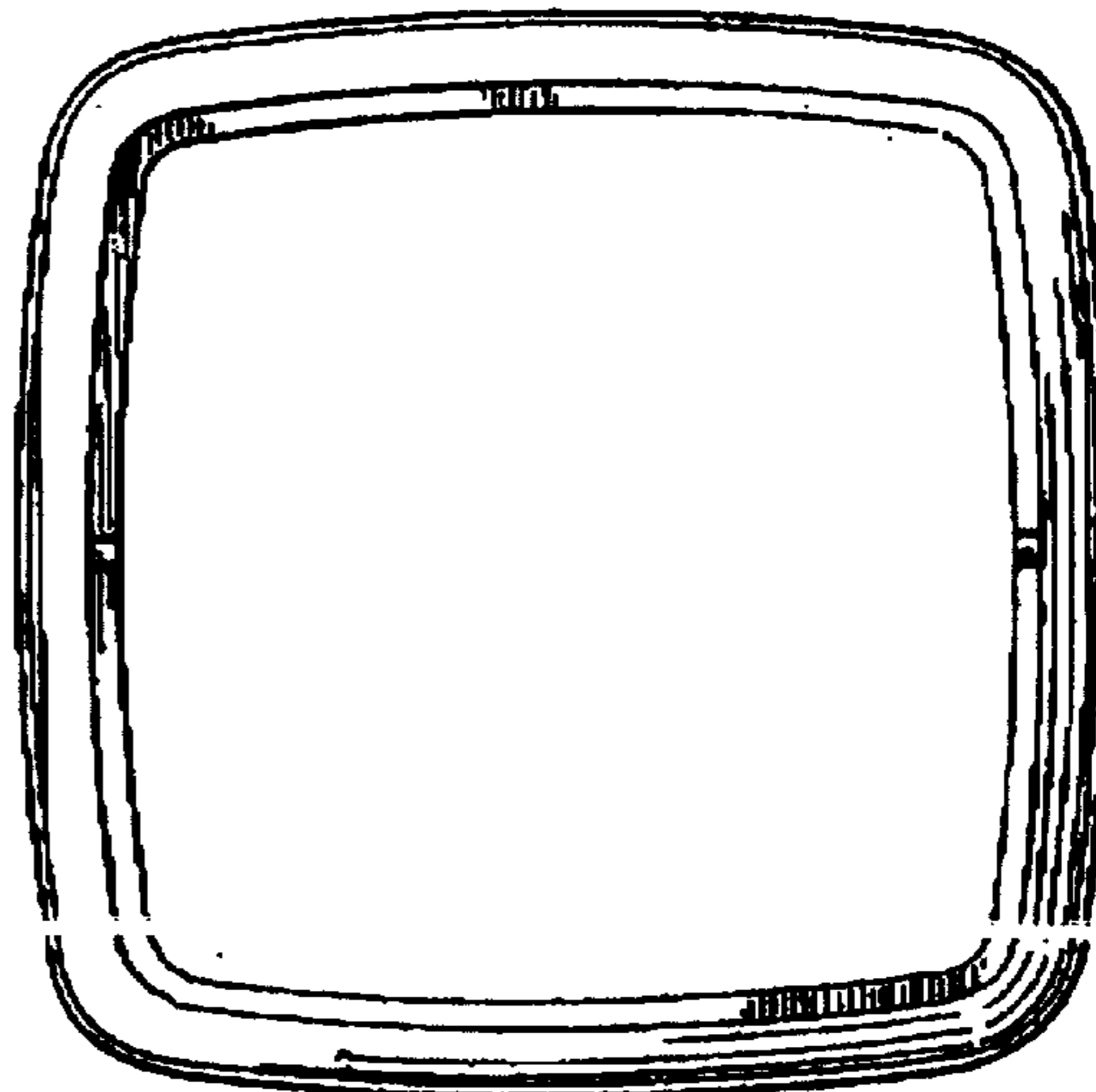
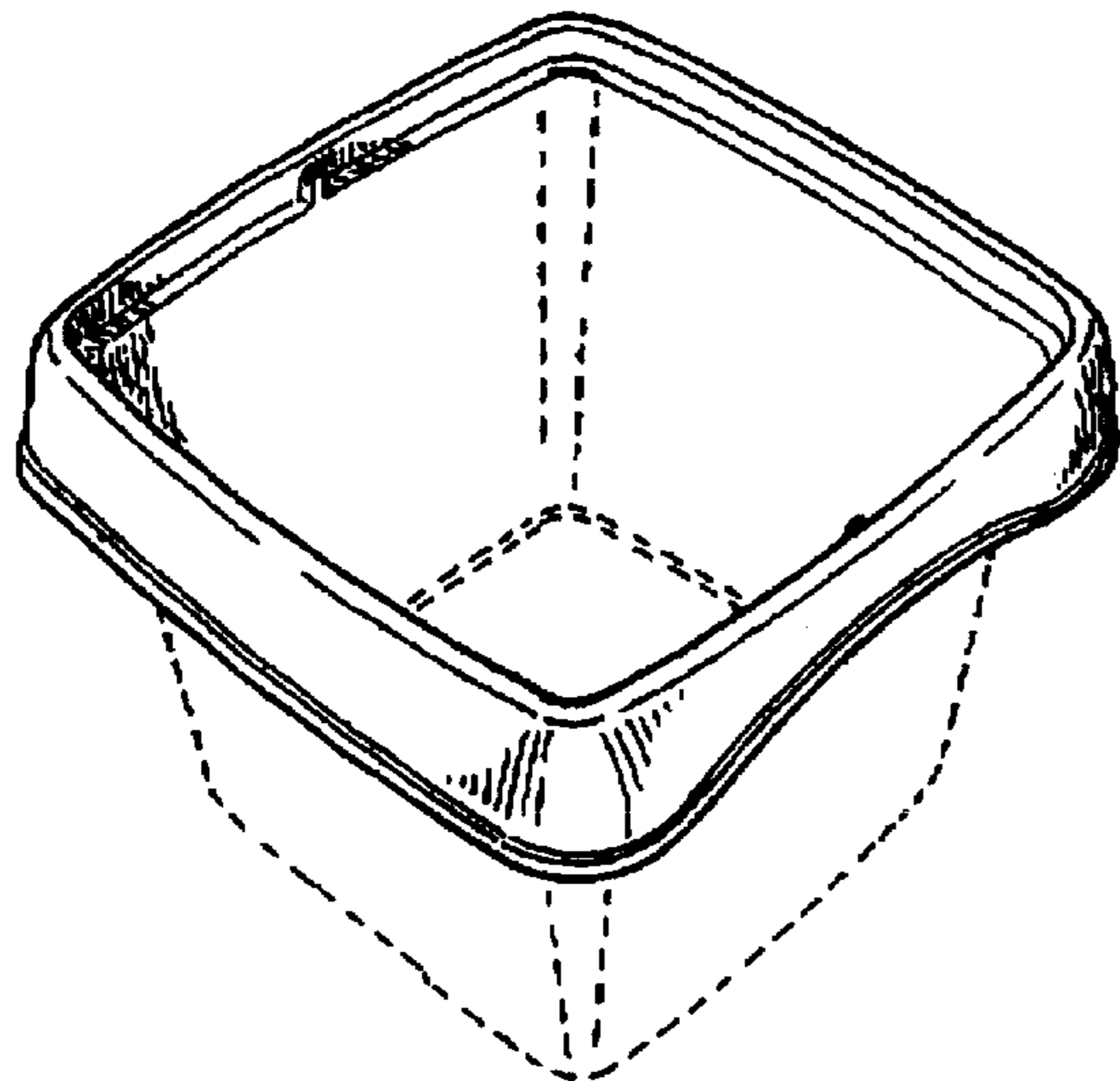
FIG. 5 is a front elevational view thereof, the remainder of the bucket is shown in phantom;

FIG. 6 is a rear elevational view thereof, the remainder of the bucket is shown in phantom;

FIG. 7 is a top plan view thereof; and,

FIG. 8 is a bottom view thereof.

1 Claim, 2 Drawing Sheets



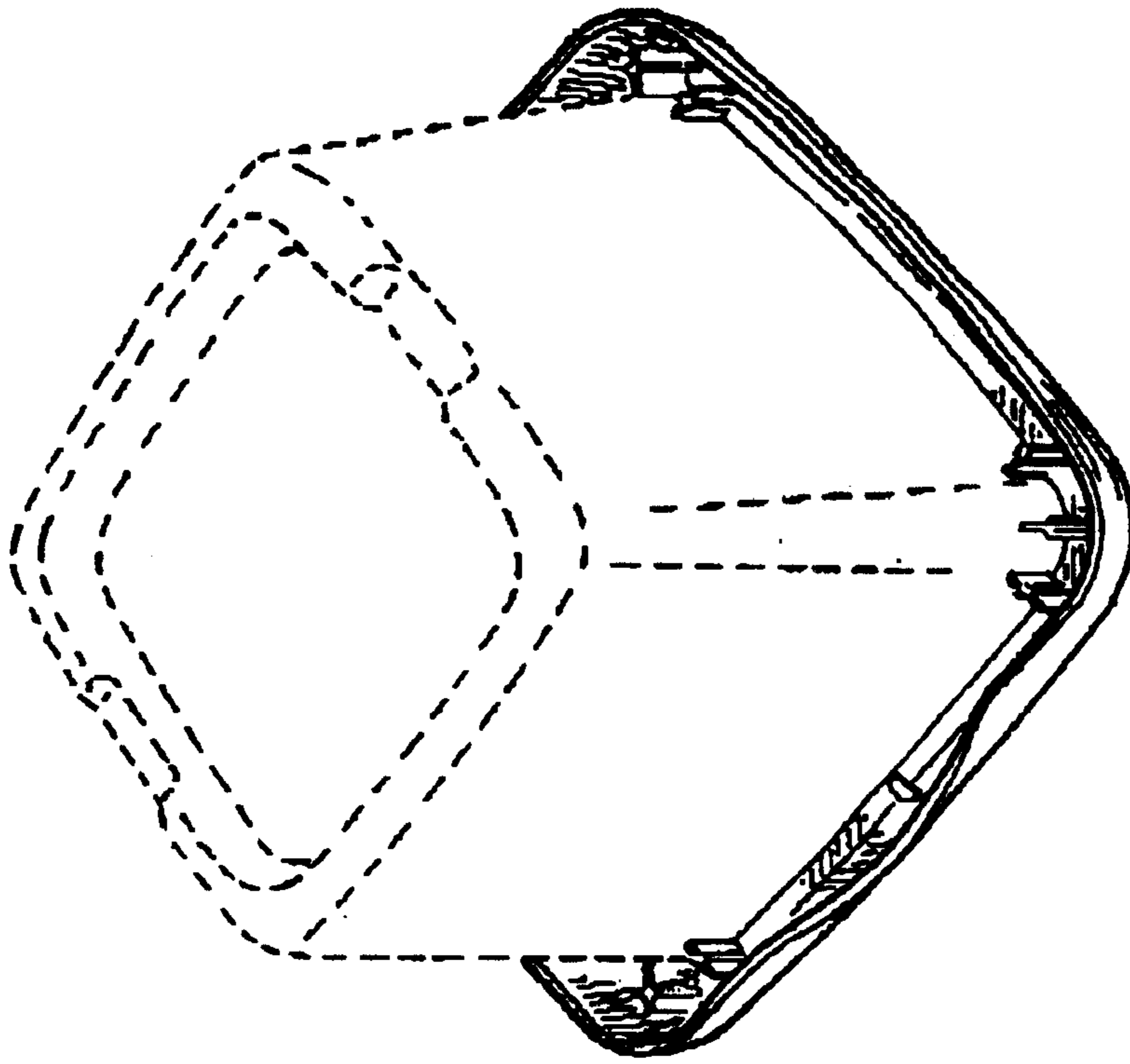


Fig. 2

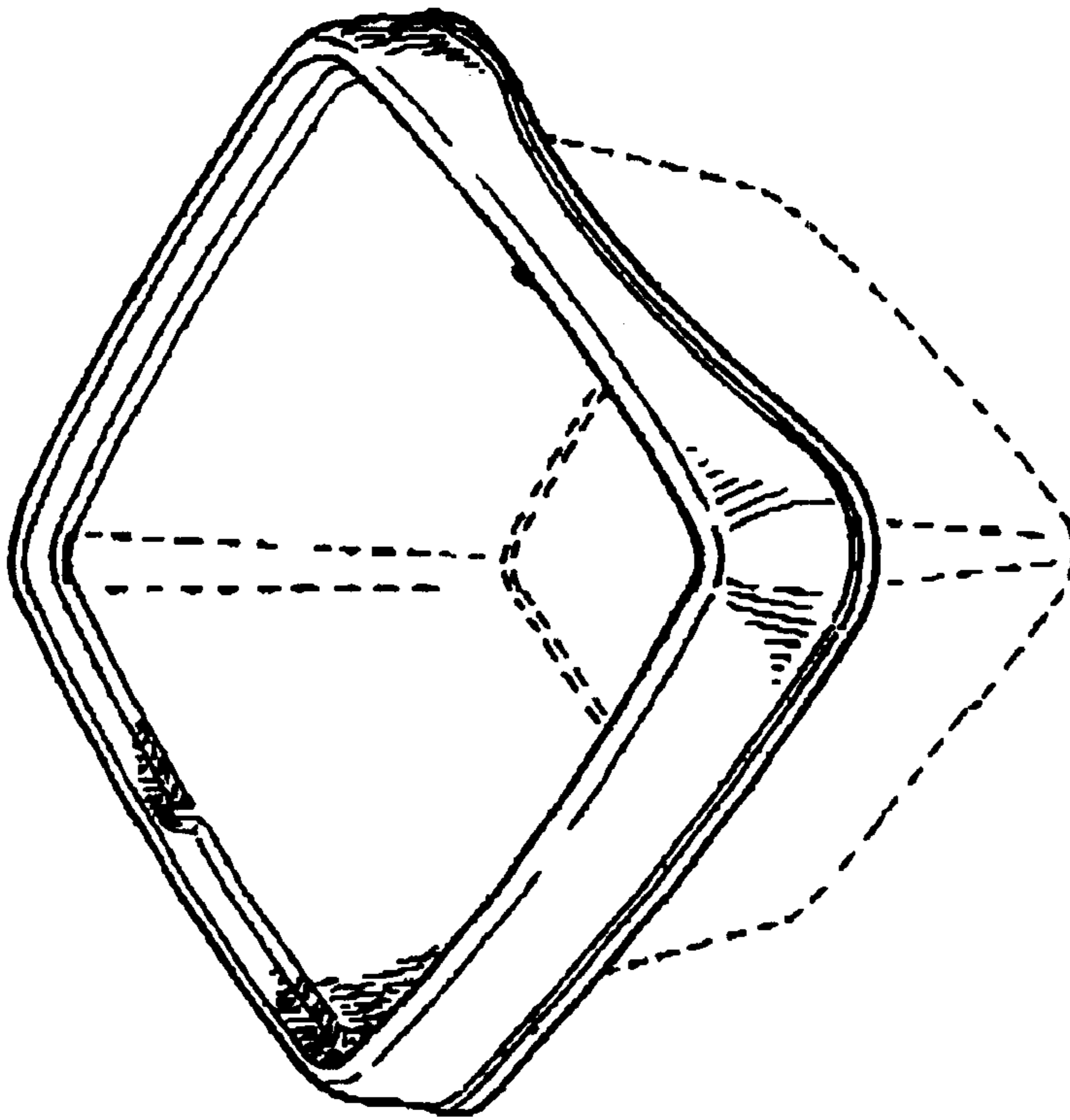


Fig. 1

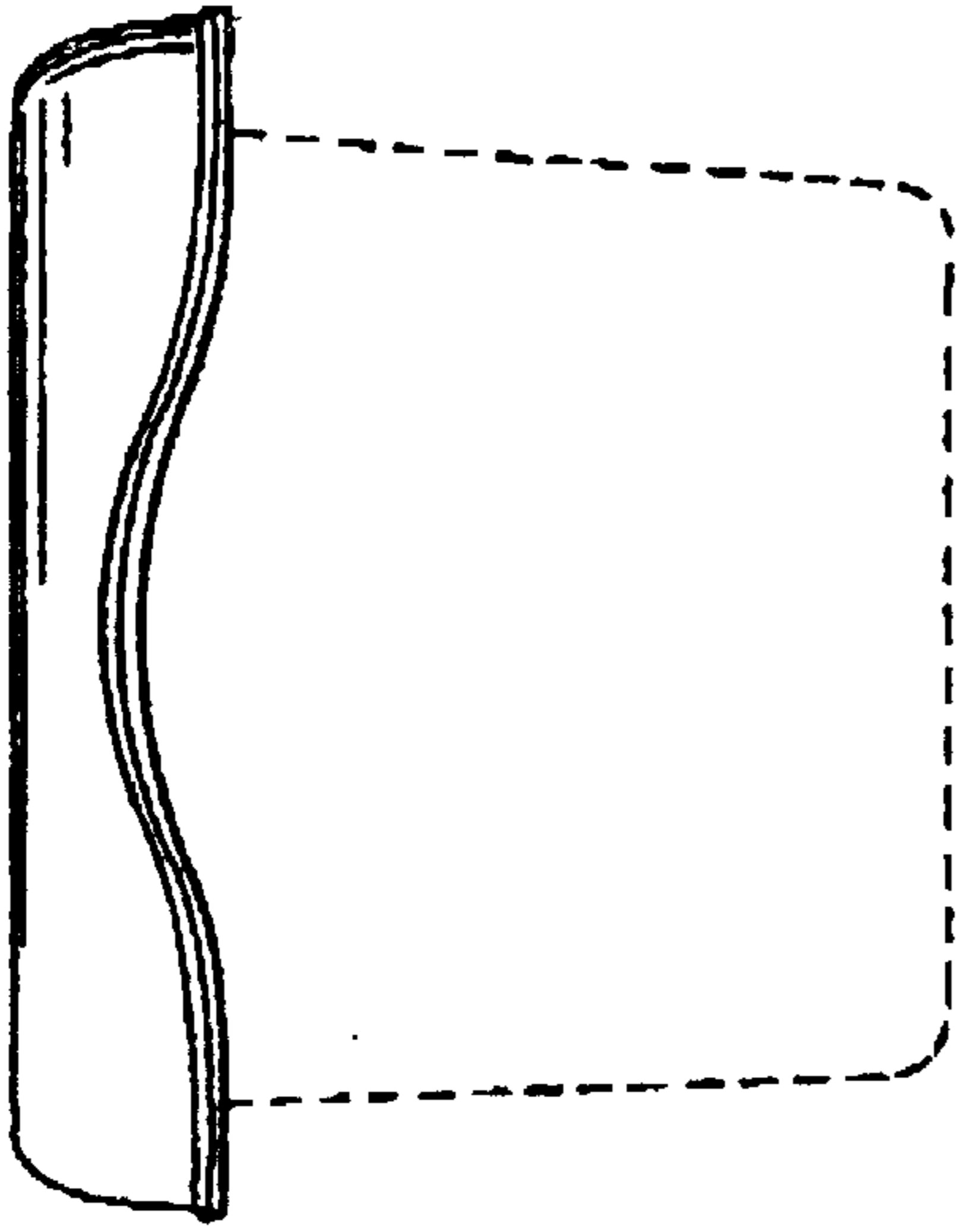


Fig. 4

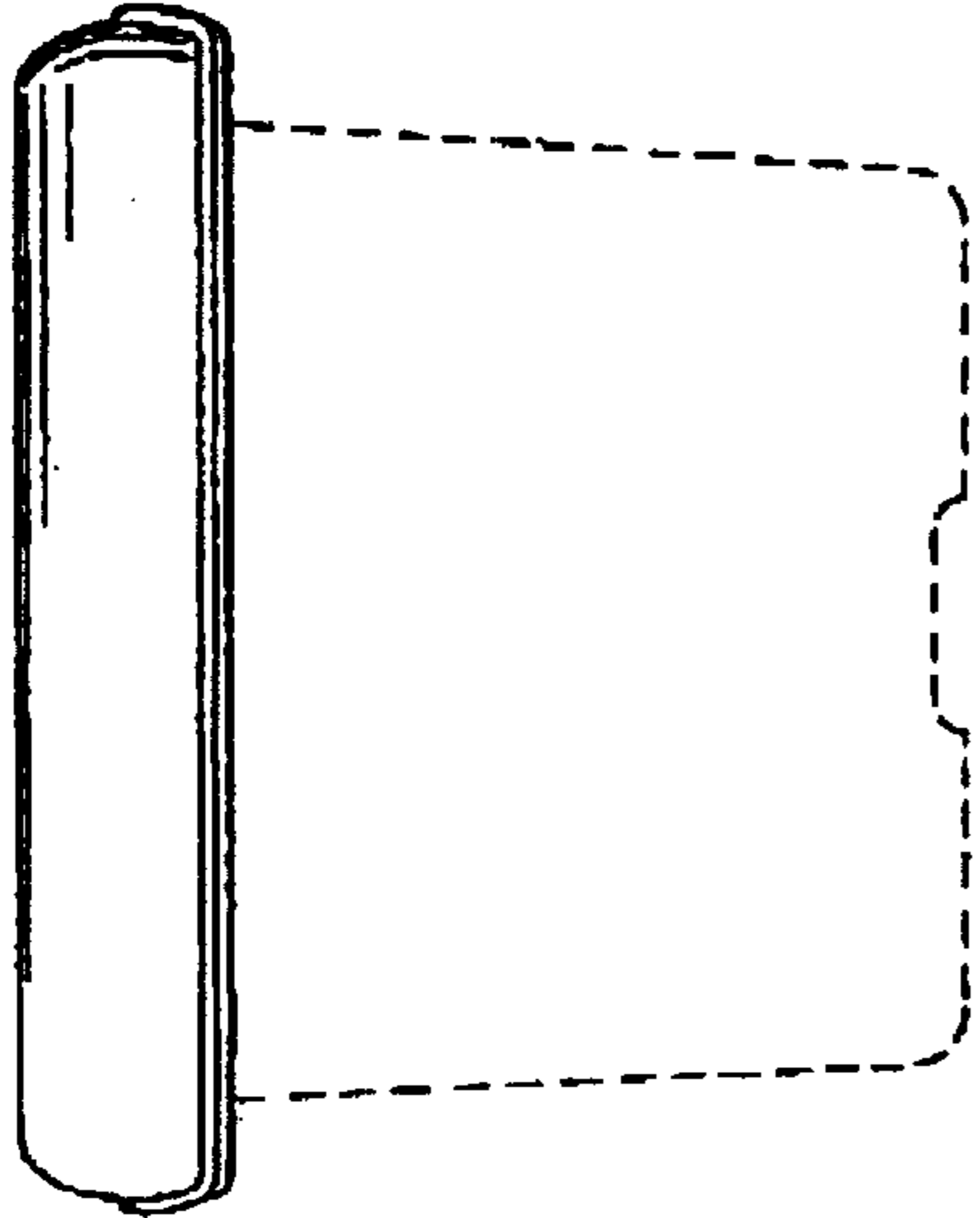


Fig. 5

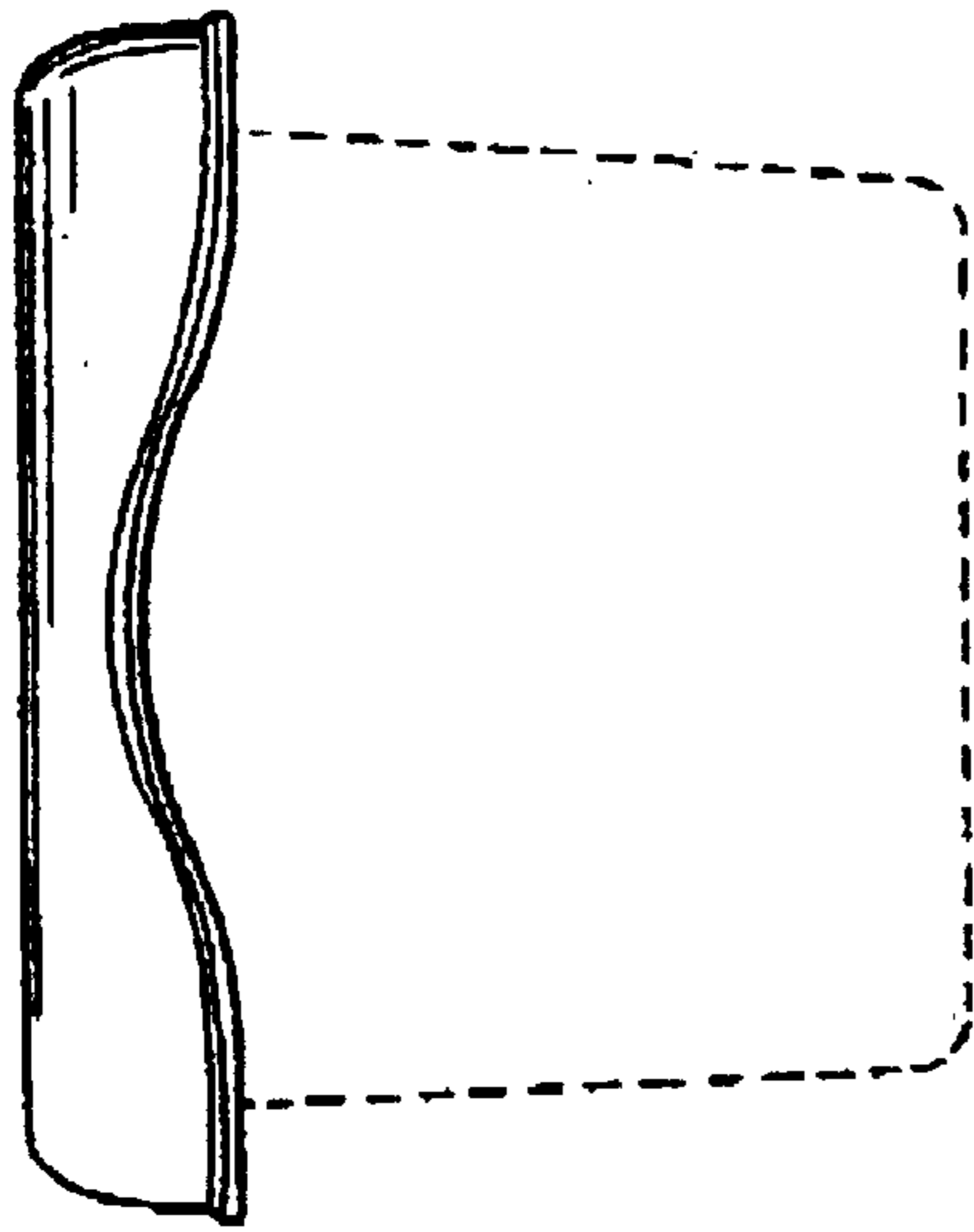


Fig. 3

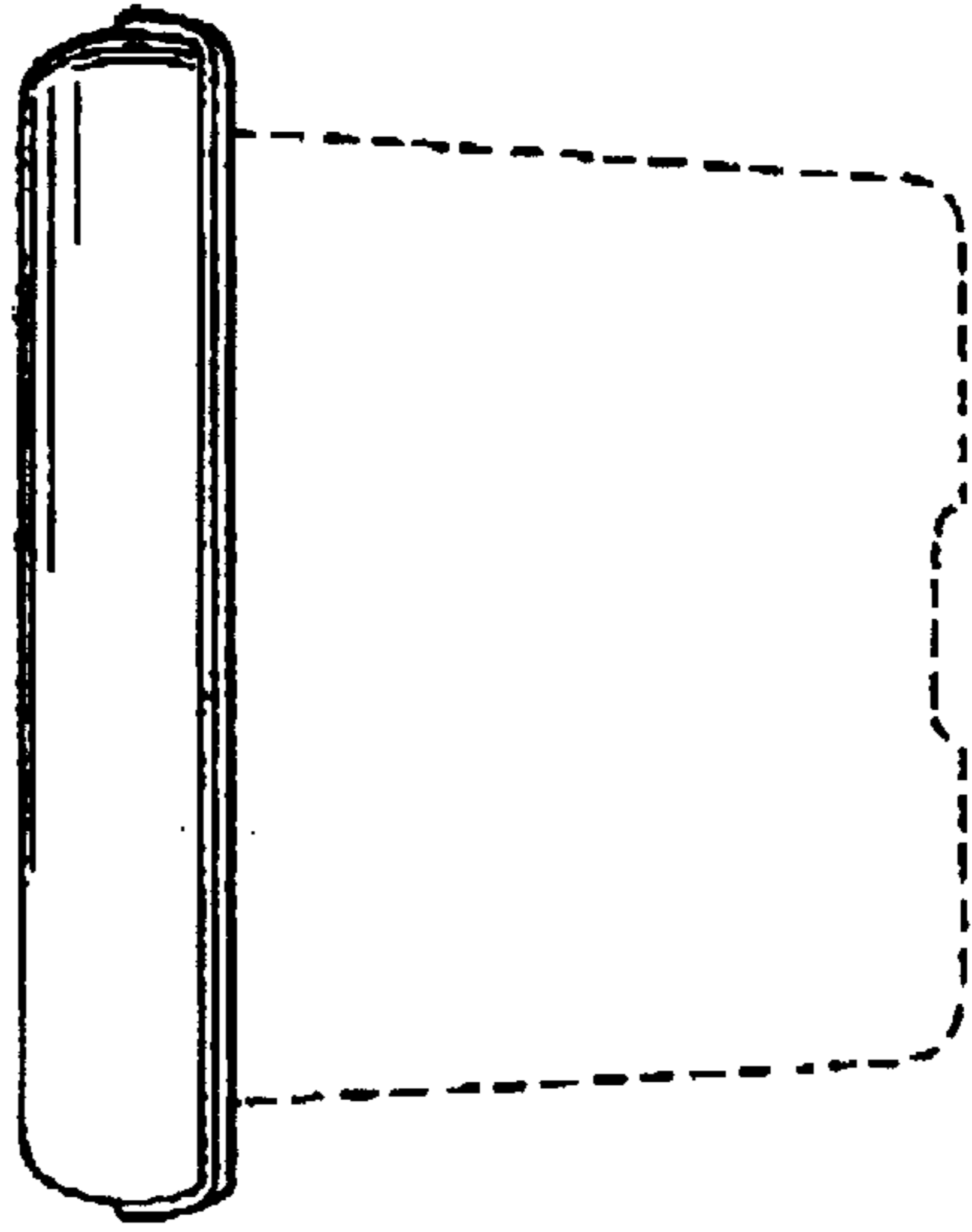


Fig. 6

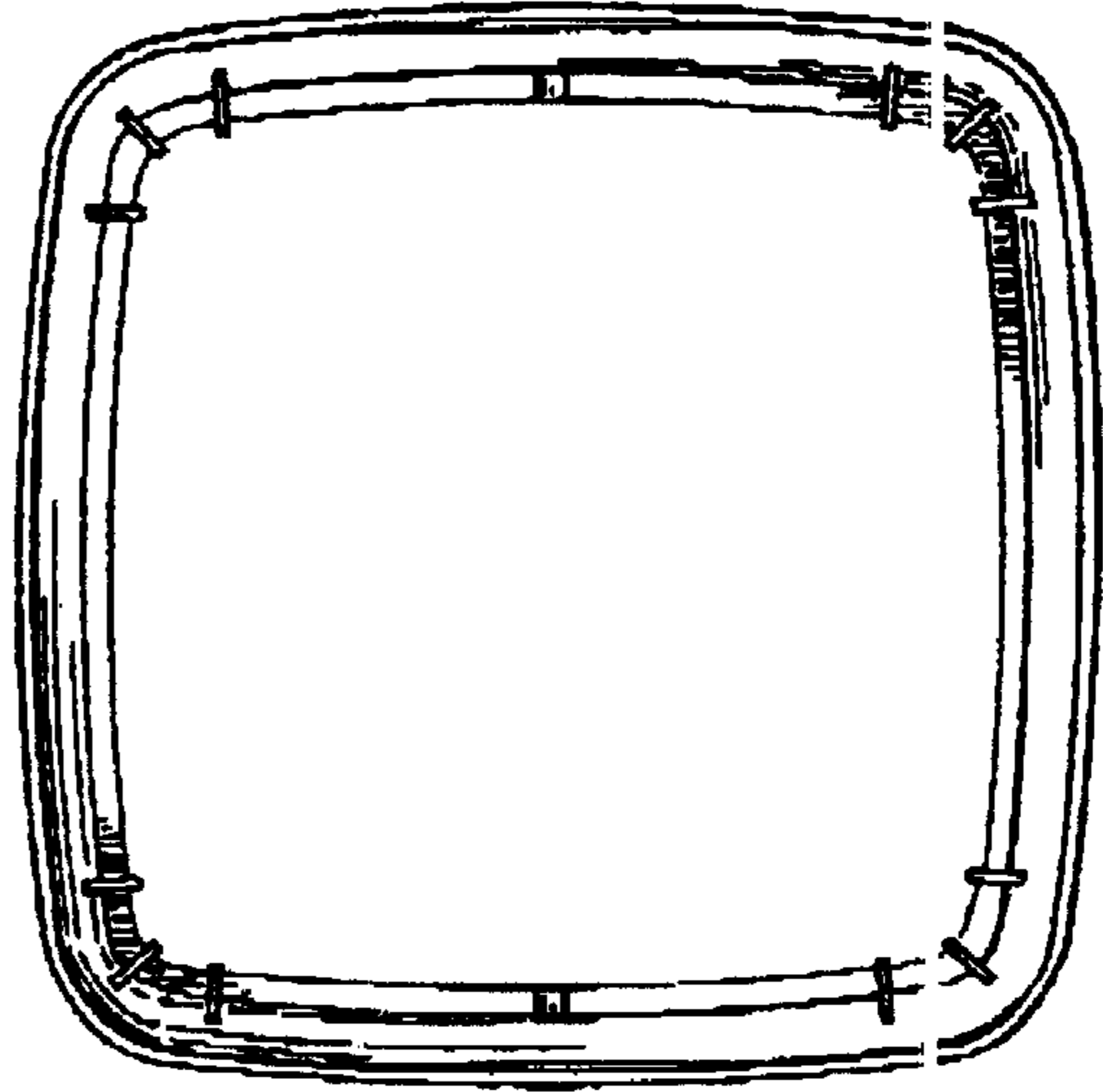


Fig. 8

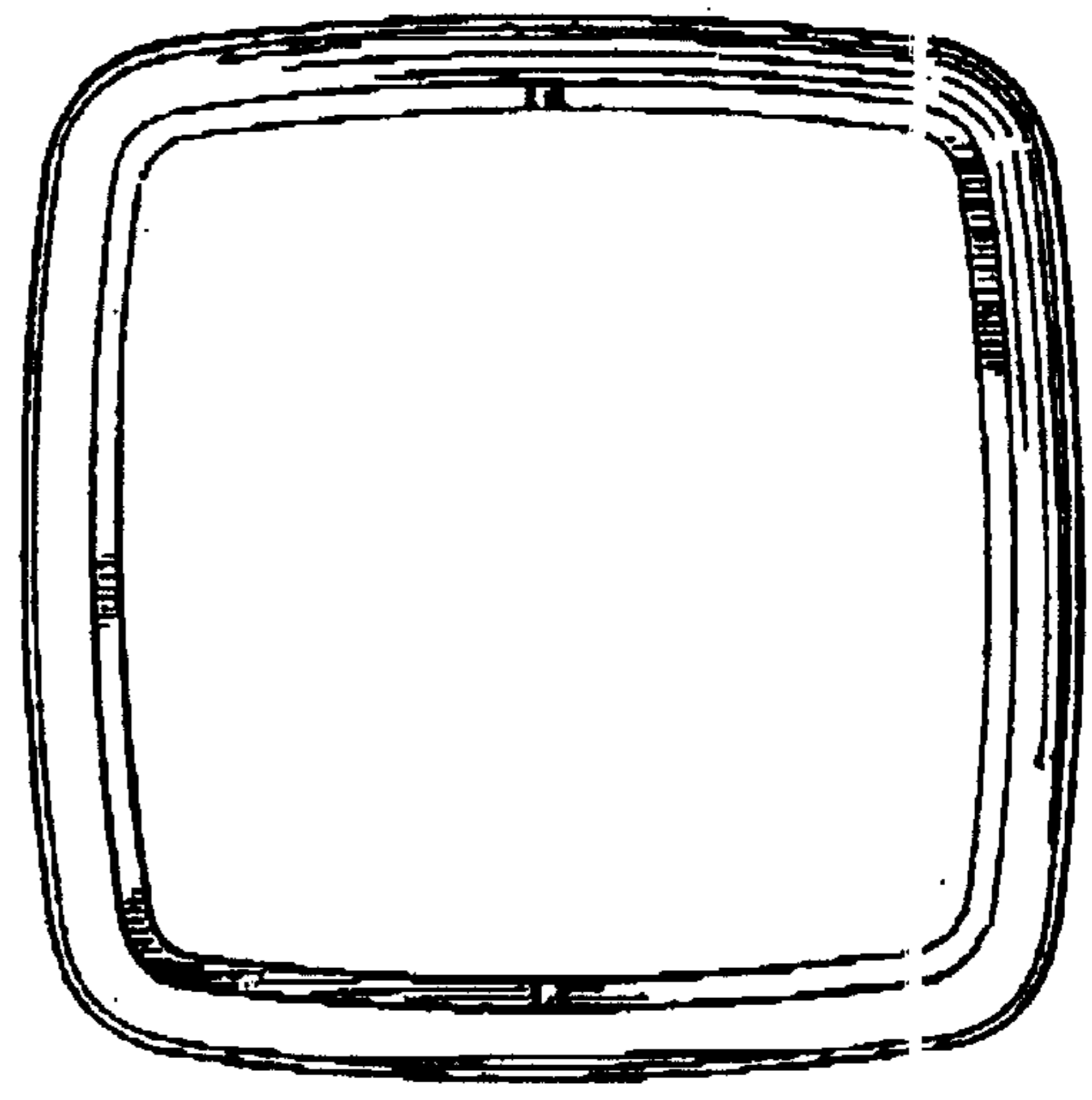


Fig. 7