



US00D485064S

(12) **United States Design Patent**
Abrams et al.

(10) **Patent No.: US D485,064 S**

(45) **Date of Patent: ** Jan. 13, 2004**

(54) **CONTACT LENS PACKAGE**

(75) Inventors: **Richard W. Abrams**, Jacksonville, FL (US); **Russell J. Edwards**, Jacksonville, FL (US); **James A. Ebel**, Jacksonville, FL (US); **Darren S. Keene**, Jacksonville, FL (US); **John E. Studer**, Morris Plains, NJ (US)

(73) Assignee: **Johnson & Johnson Vision Care, Inc.**, Jacksonville, FL (US)

(**) Term: **14 Years**

(21) Appl. No.: **29/039,791**

(22) Filed: **Jan. 25, 1994**

Related U.S. Application Data

(63) Continuation of application No. 29/002,798, filed on Dec. 21, 1992, now abandoned.

(51) **LOC (7) Cl.** **03-01**

(52) **U.S. Cl.** **D3/264; D3/263**

(58) **Field of Search** D9/415, 418, 424, D9/425, 432, 337, 456, 455; D3/263, 264; 206/461-471, 557, 564, 806, 820, 5, 5.1

(56) **References Cited**

U.S. PATENT DOCUMENTS

D208,166 S * 7/1967 Hueber et al. D3/34
D210,248 S * 2/1968 Nissel D3/264

4,328,890 A * 5/1982 Thomas et al. 206/5.1
4,691,820 A * 9/1987 Martinez 206/5.1
D292,600 S * 11/1987 Wagner D21/48
D299,085 S 12/1988 Martinez
4,823,944 A * 4/1989 Ryder 206/5.1
D304,629 S * 11/1989 Alvarado D3/39 X
D305,478 S 1/1990 Lahm et al.
D317,527 S * 6/1991 Bonelli D3/34
5,054,610 A * 10/1991 Ajello 206/5.1

FOREIGN PATENT DOCUMENTS

RU 41414 6/1995
WO DM009847 12/1987

* cited by examiner

Primary Examiner—Prabhakar Deshmukh

(57) **CLAIM**

The ornamental design for a contact lens package, as shown and described.

DESCRIPTION

FIG. 1 is a perspective view of a contact lens package showing our new design.
FIG. 2 is a top plan view thereof;
FIG. 3 is a rear elevational view thereof;
FIG. 4 is a left side elevational view thereof; the right side elevational view being a mirror image thereof;
FIG. 5 is a front elevational view thereof; and,
FIG. 6 is a bottom plan view thereof.

1 Claim, 2 Drawing Sheets

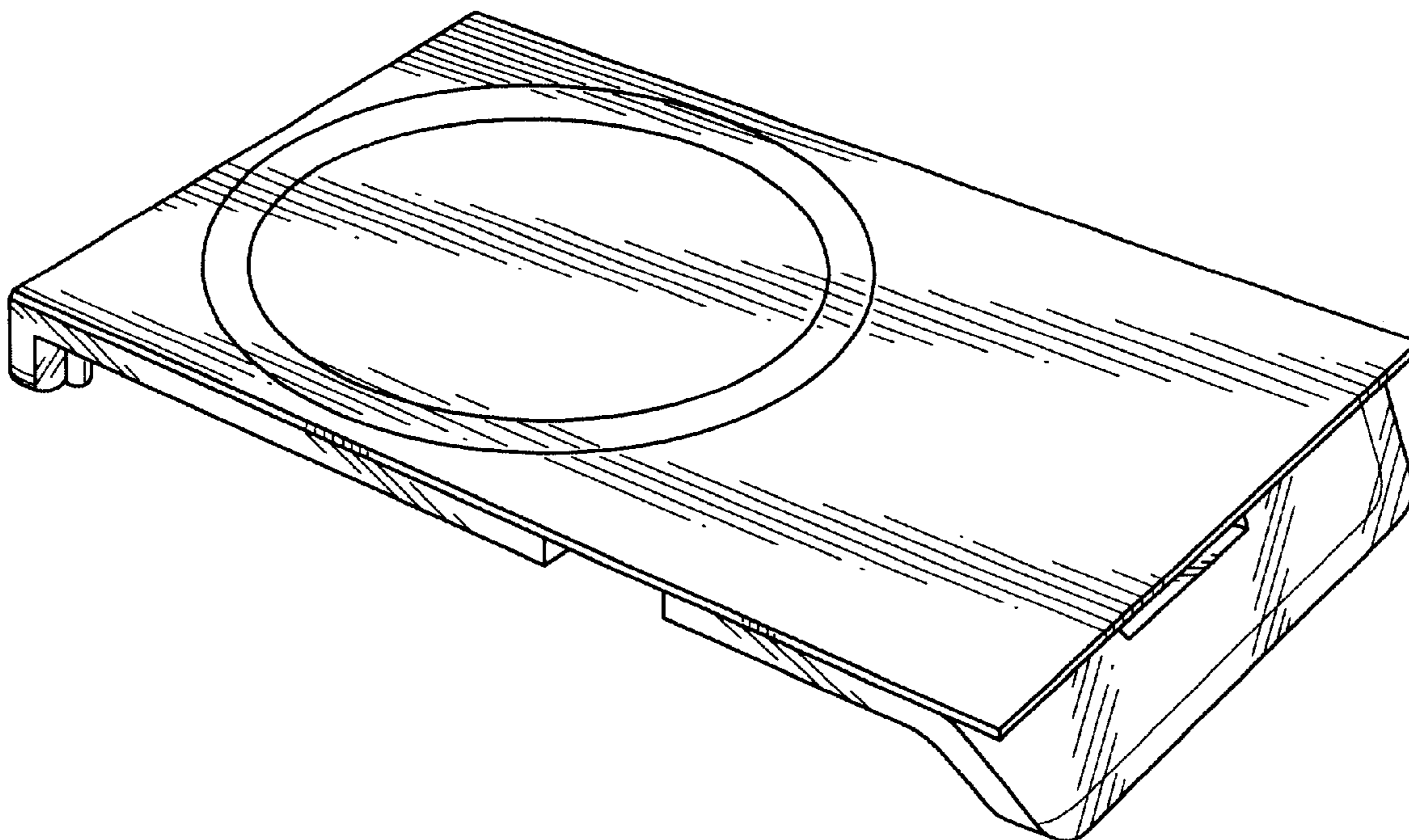
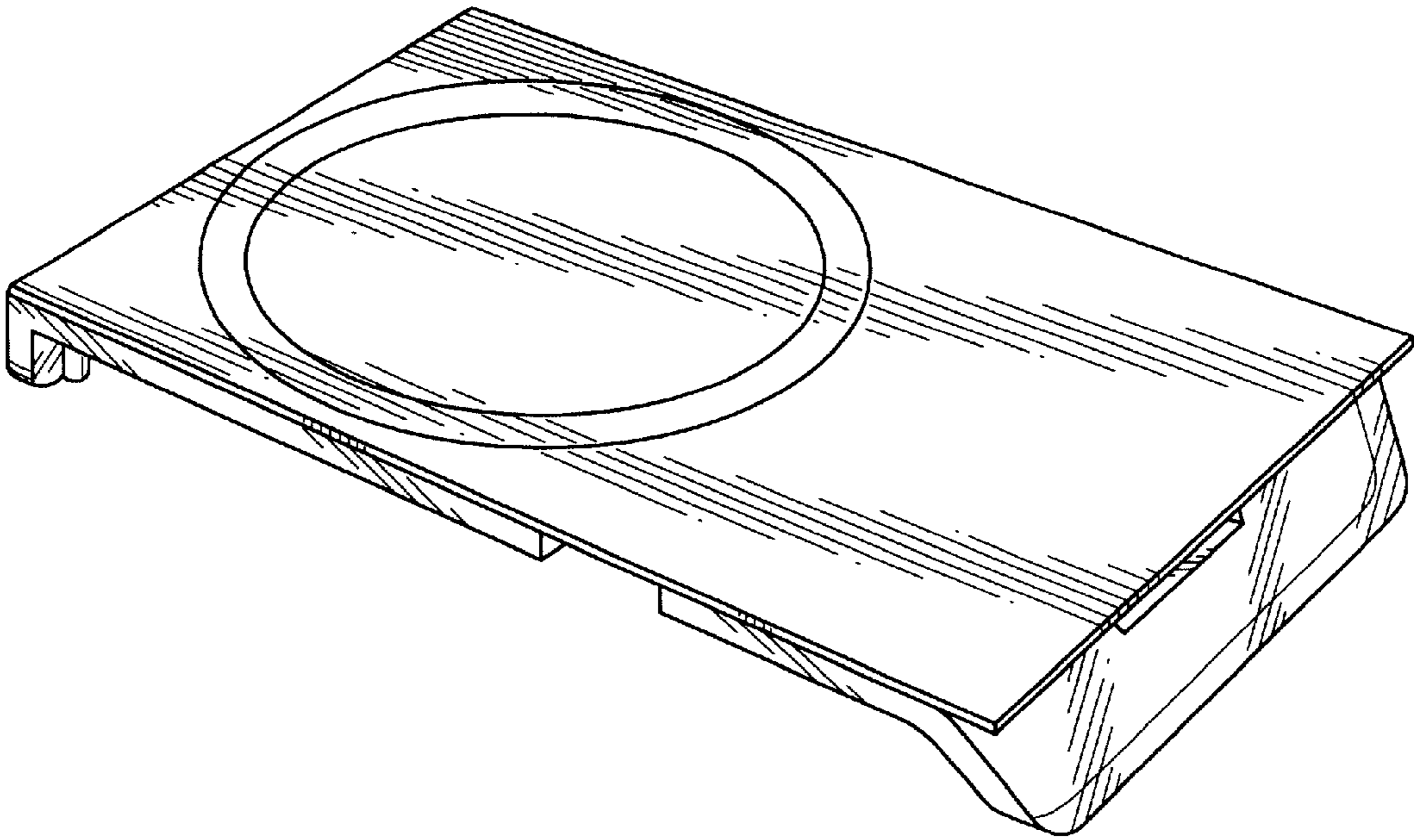


FIG. 1



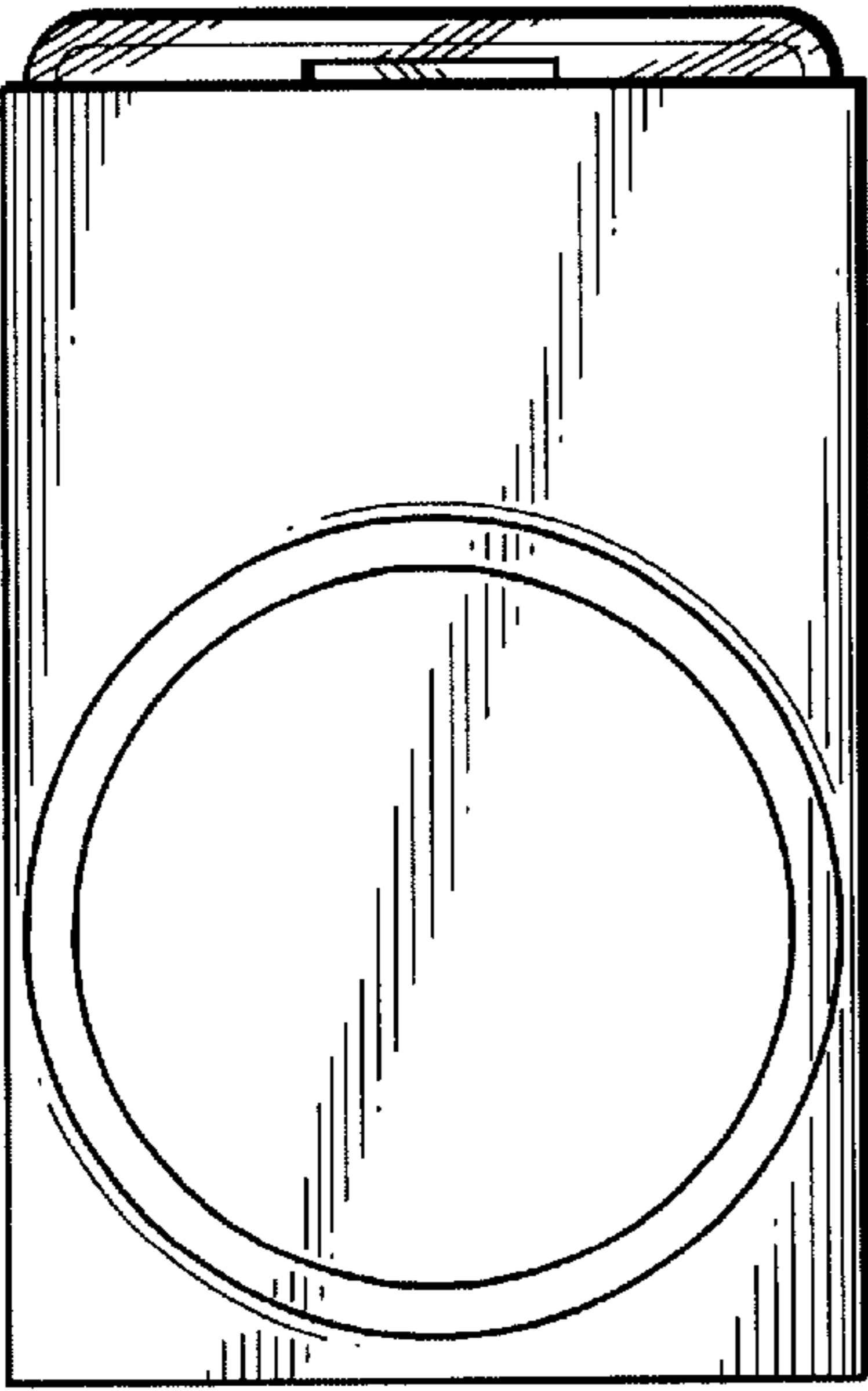


FIG. 2



FIG. 4

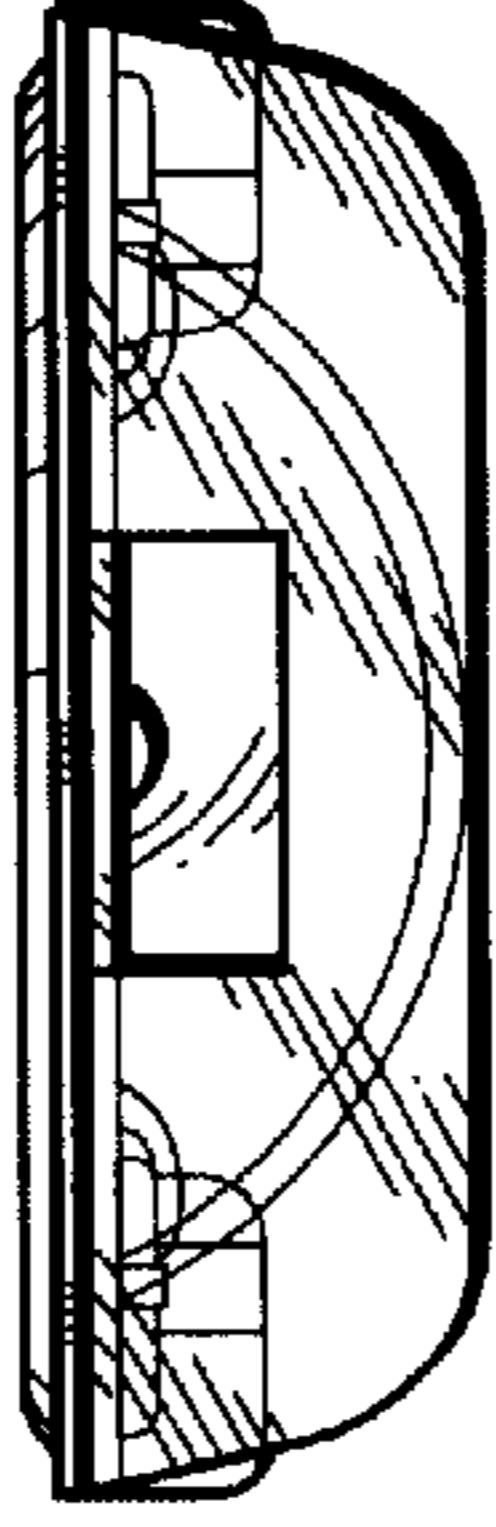


FIG. 5

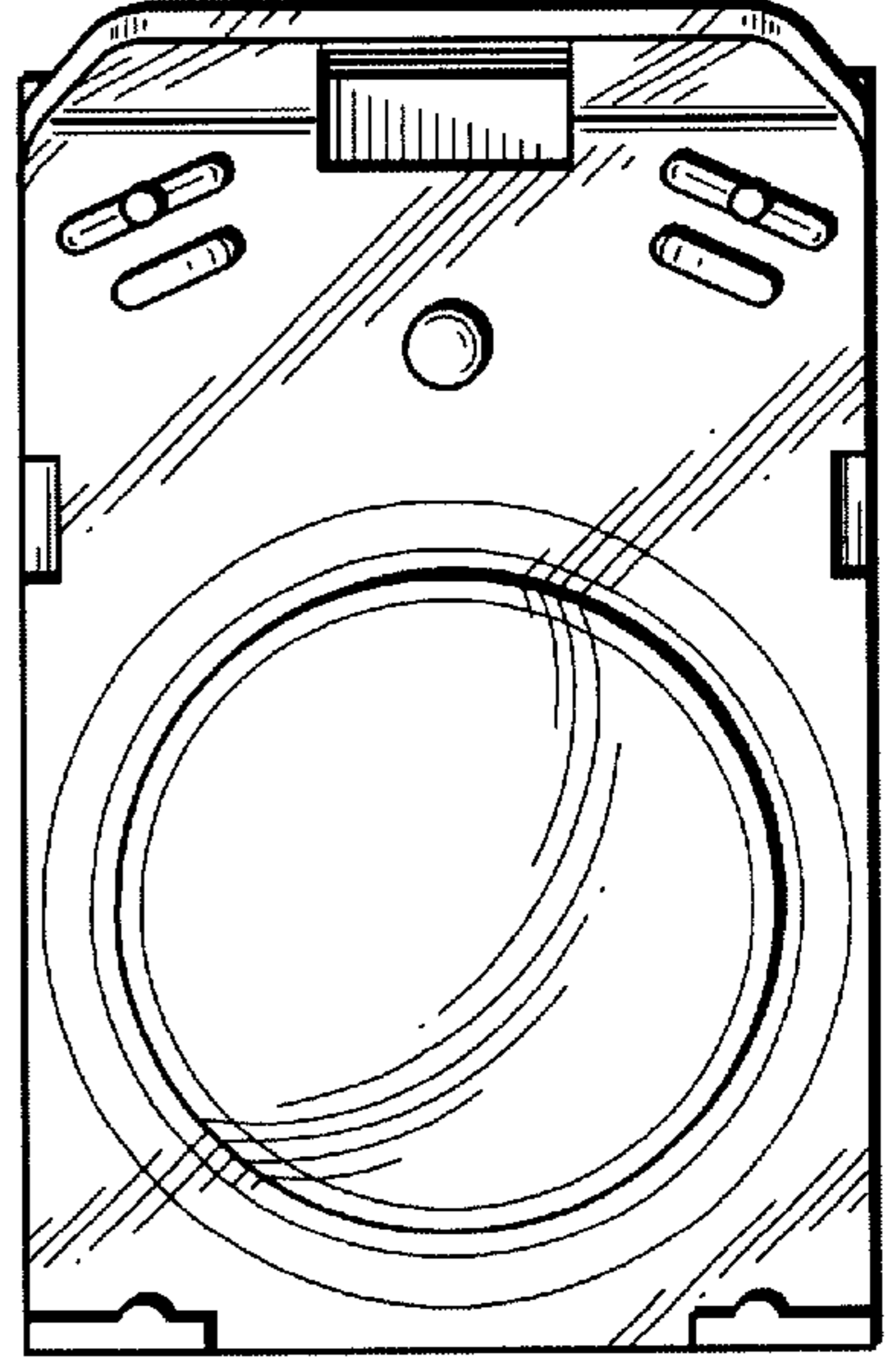


FIG. 6



FIG. 3