



US00D485060S

(12) **United States Design Patent**  
**DeCotis**

(10) **Patent No.:** **US D485,060 S**

(45) **Date of Patent:** **\*\* Jan. 13, 2004**

(54) **CARRIER FOR ARTICLES**

(76) Inventor: **Frank DeCotis**, 2415 S. 17th St.,  
Philadelphia, PA (US) 19145

(\*\*) Term: **14 Years**

(21) Appl. No.: **29/174,759**

(22) Filed: **Jan. 23, 2003**

(51) **LOC (7) Cl.** ..... **03-01**

(52) **U.S. Cl.** ..... **D3/215; D3/218**

(58) **Field of Search** ..... **D3/215, 218, 225,**  
**D3/230, 228, 224, 201; D27/185, 186;**  
**224/901, 904, 236, 240, 914; 206/305**

(56) **References Cited**

**U.S. PATENT DOCUMENTS**

D168,131	*	11/1952	Touart, Jr.	.....	D27/186
4,479,596 A	*	10/1984	Swanson	.....	224/236
D296,267	*	6/1988	Sakai	.....	D3/218
D382,396	*	8/1997	Campman	.....	D3/215
D400,006	*	10/1998	Girvetz	.....	D3/215
D404,197	*	1/1999	Dobbins	.....	D3/230
D418,119	*	12/1999	Rowell	.....	D3/218

\* cited by examiner

*Primary Examiner*—Catherine R. Oliver

(74) *Attorney, Agent, or Firm*—Schnader Harrison Segal &  
Lewis LLP

(57) **CLAIM**

The ornamental design for a carrier for articles, as shown  
and described.

**DESCRIPTION**

FIG. 1 is an perspective view of a carrier for articles showing  
my new design.

FIG. 2 is a rear elevation of a carrier for articles showing my  
new design.

FIG. 3 is a left side elevation of a carrier for articles showing  
my new design.

FIG. 4 is a right side elevation of a carrier for articles  
showing my new design.

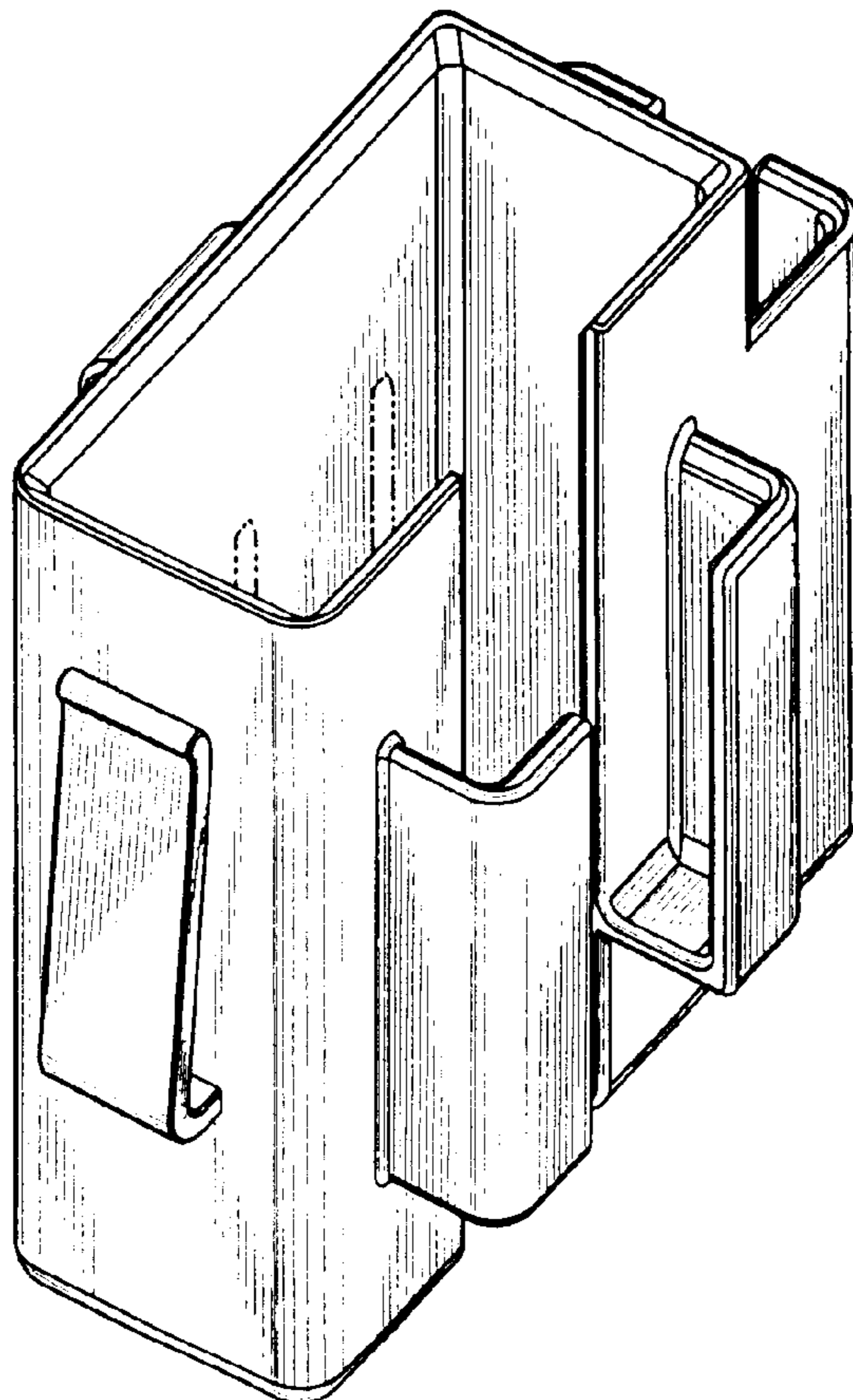
FIG. 5 is a top plan view of a carrier for articles showing my  
new design.

FIG. 6 is a front elevation of a carrier for articles showing  
my new design; and,

FIG. 7 is a bottom plan view of a carrier for articles showing  
my new design.

Any broken-line illustration appearing in the drawings is for  
illustrative purposes only and forms no part of the claimed  
design.

**1 Claim, 3 Drawing Sheets**



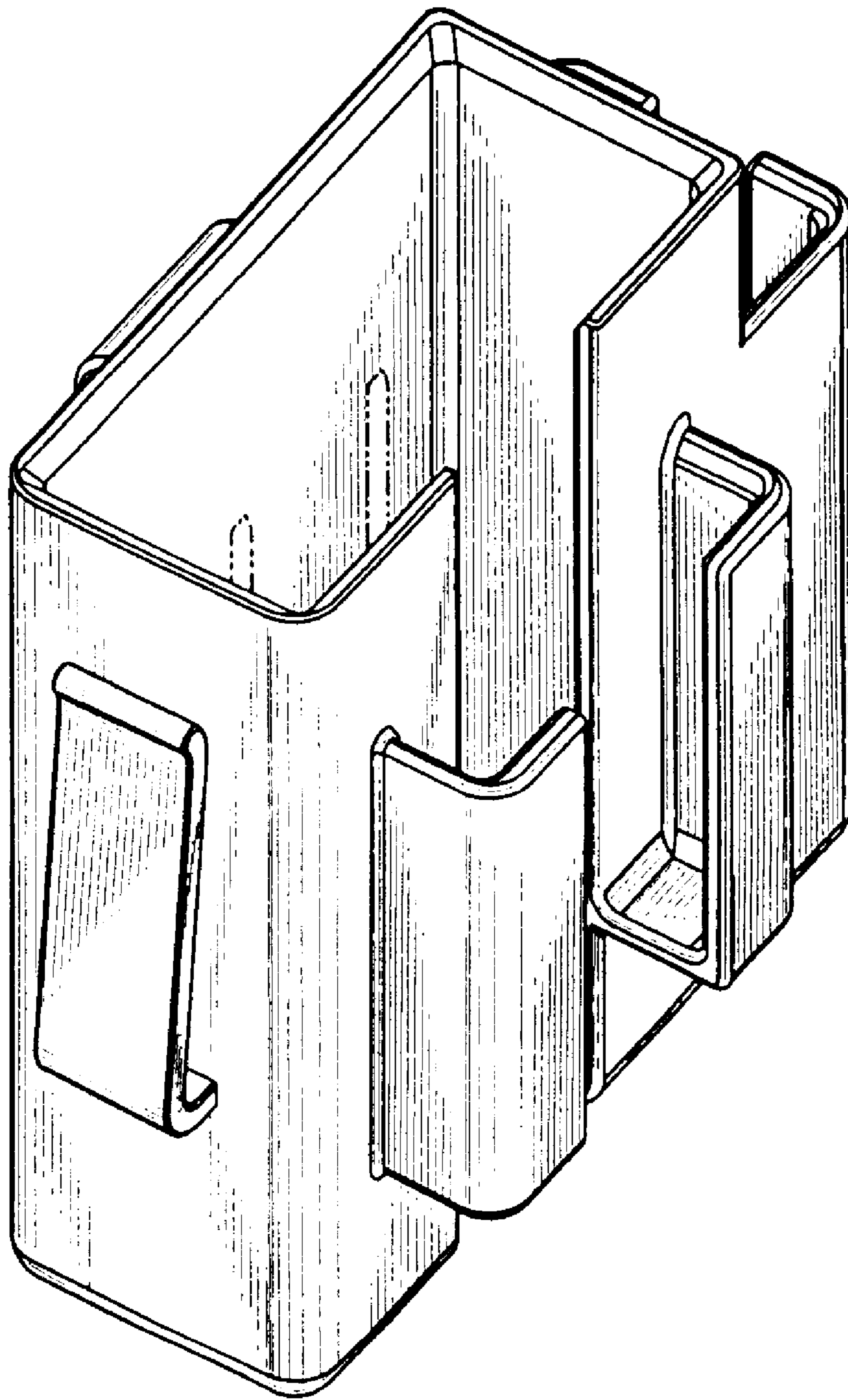


FIG. 1

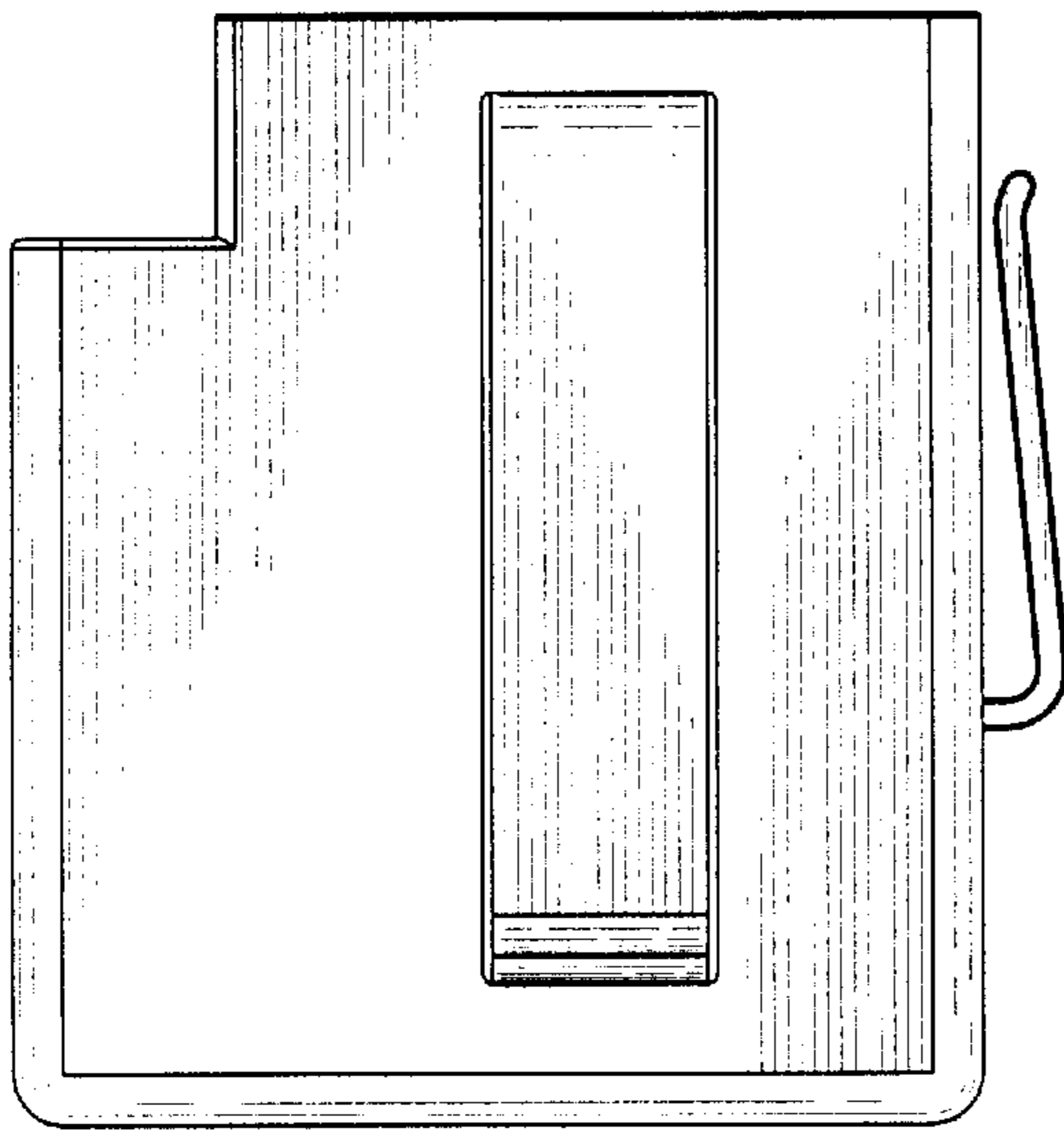


FIG. 2

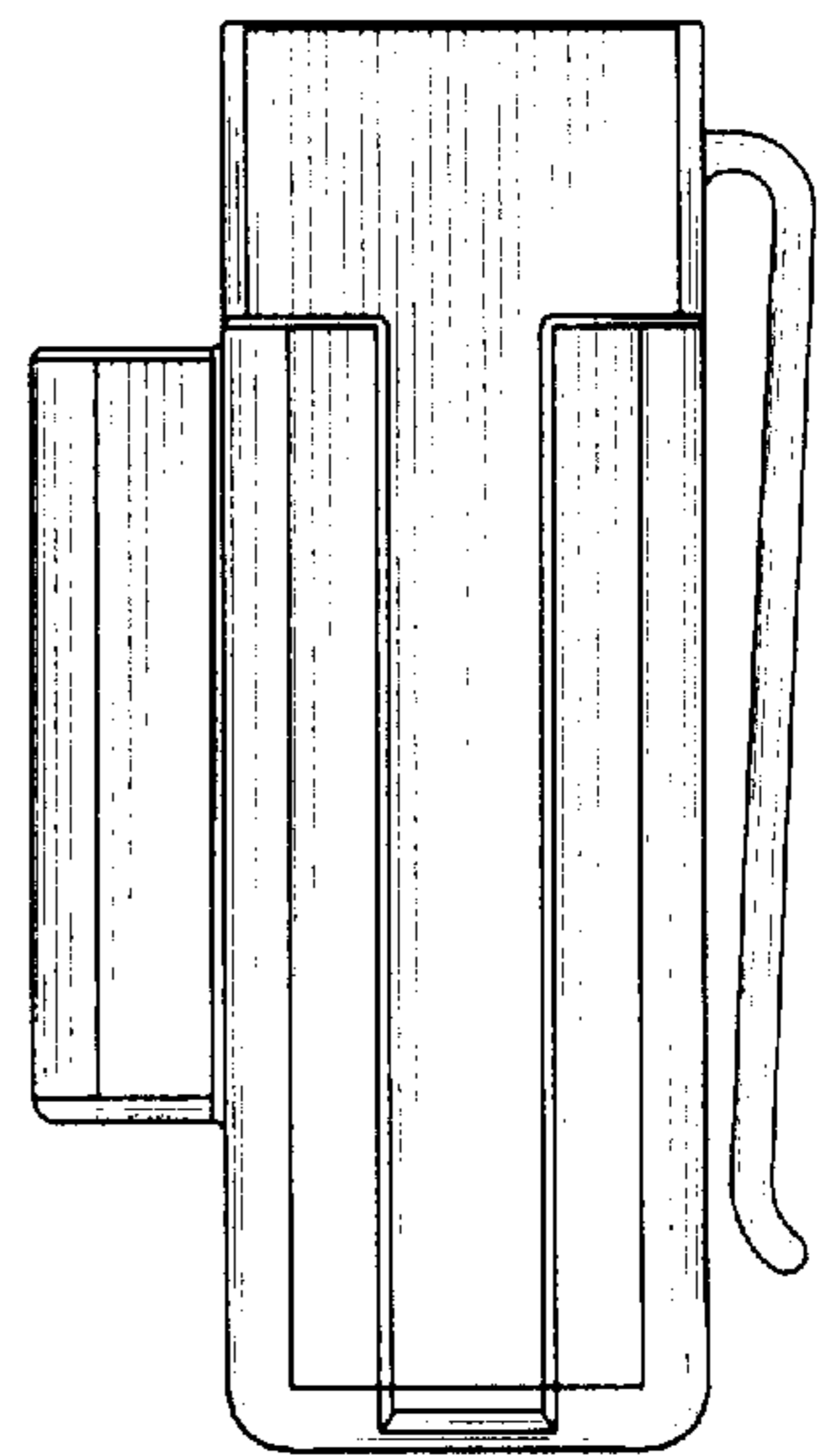


FIG. 3

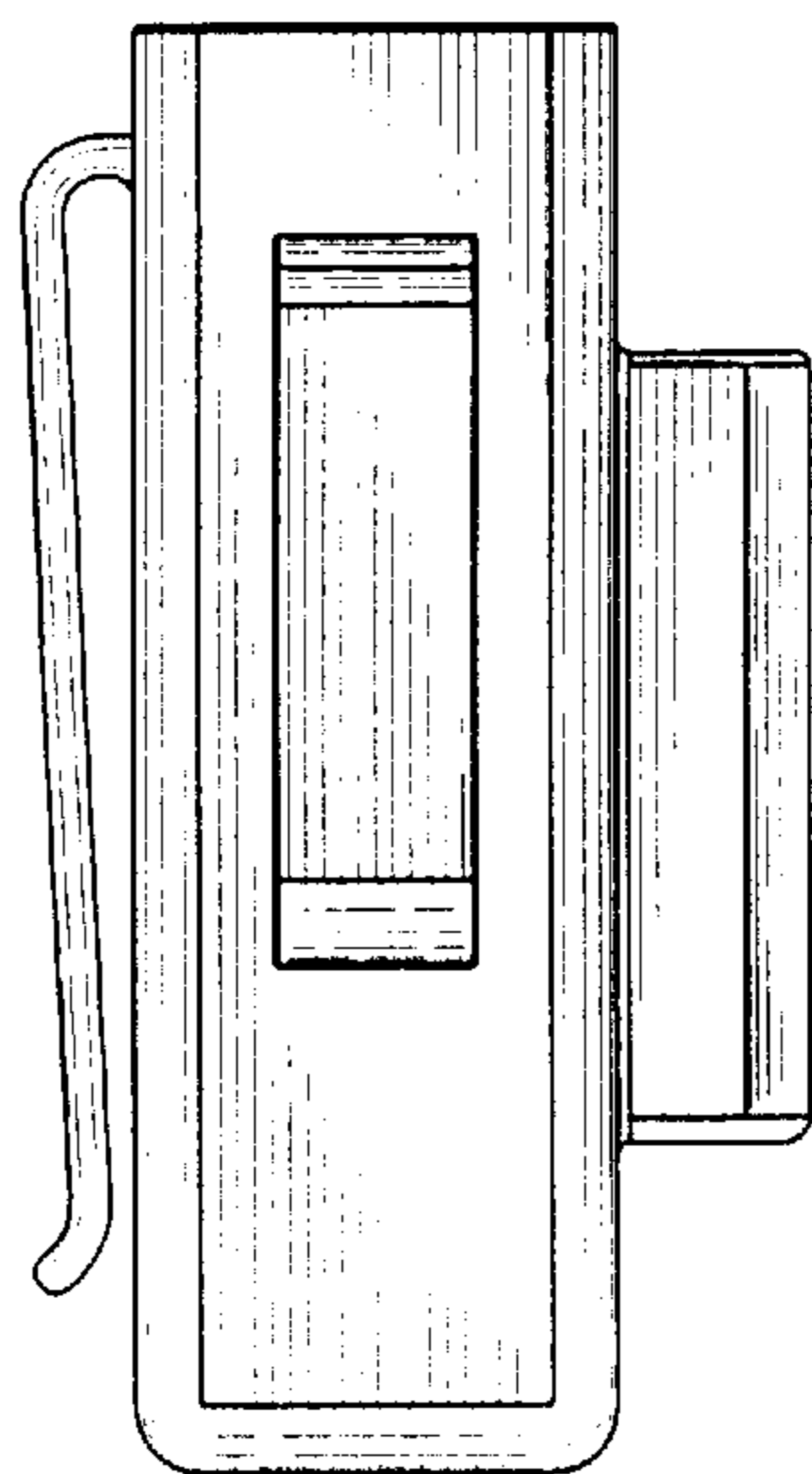


FIG. 4

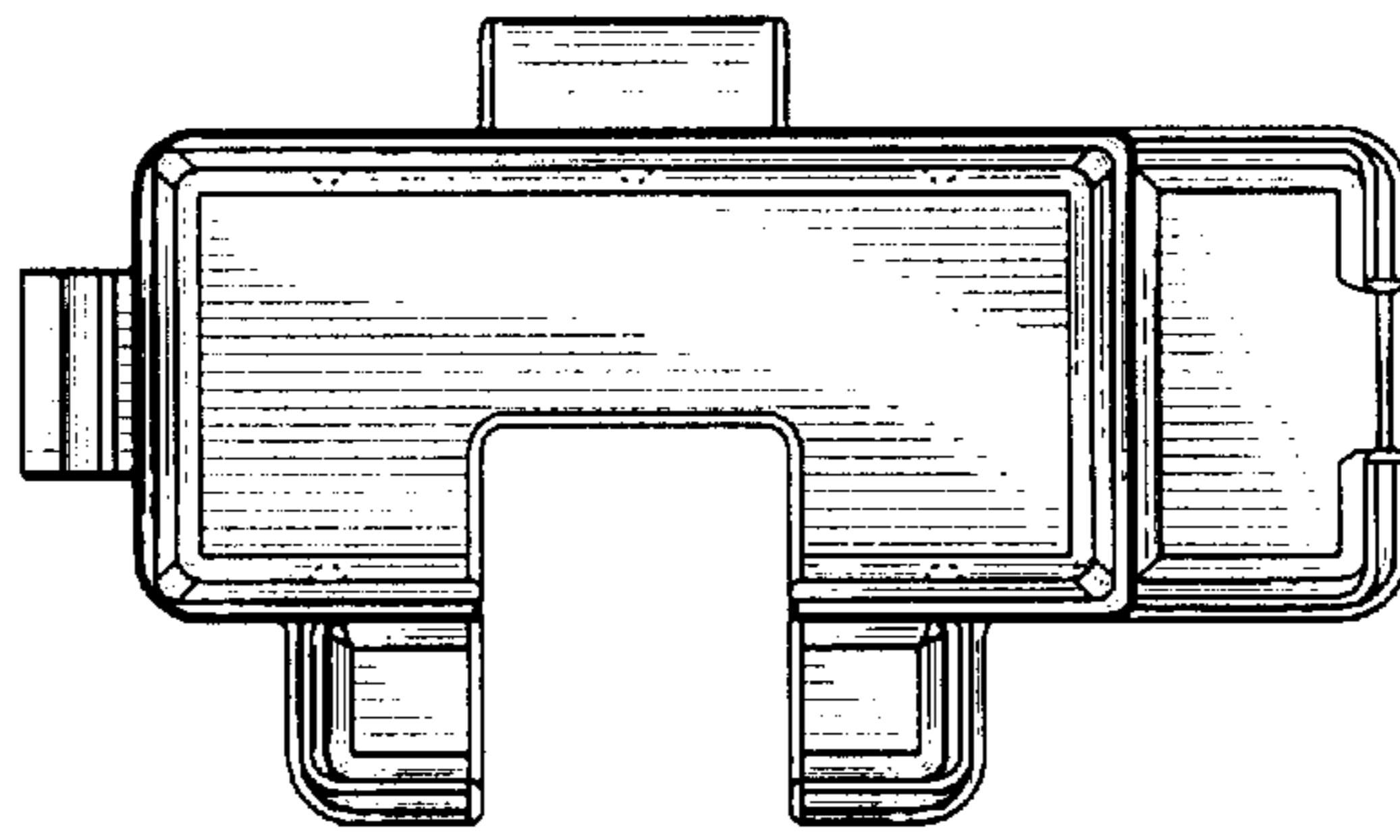


FIG. 5

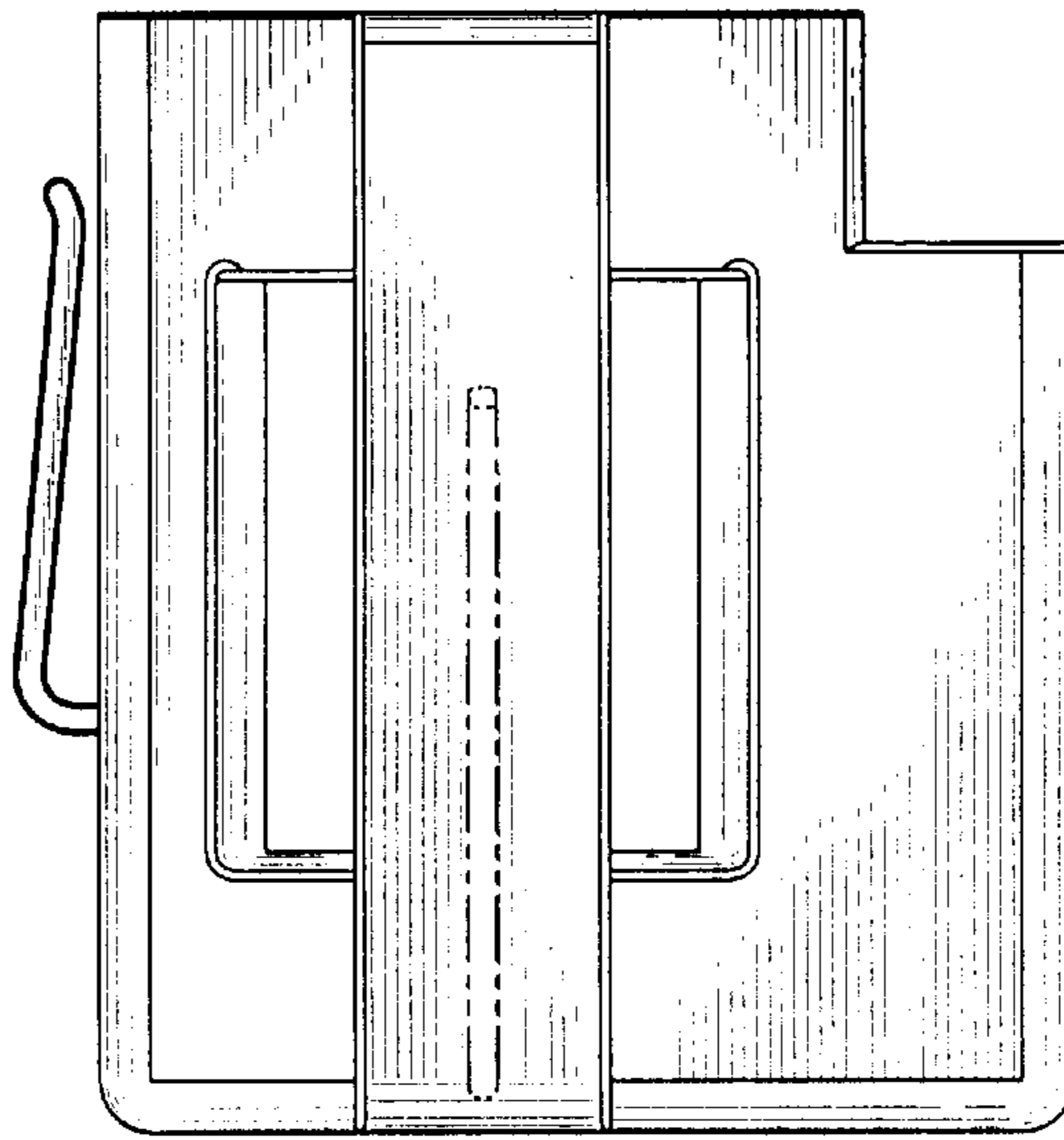


FIG. 6

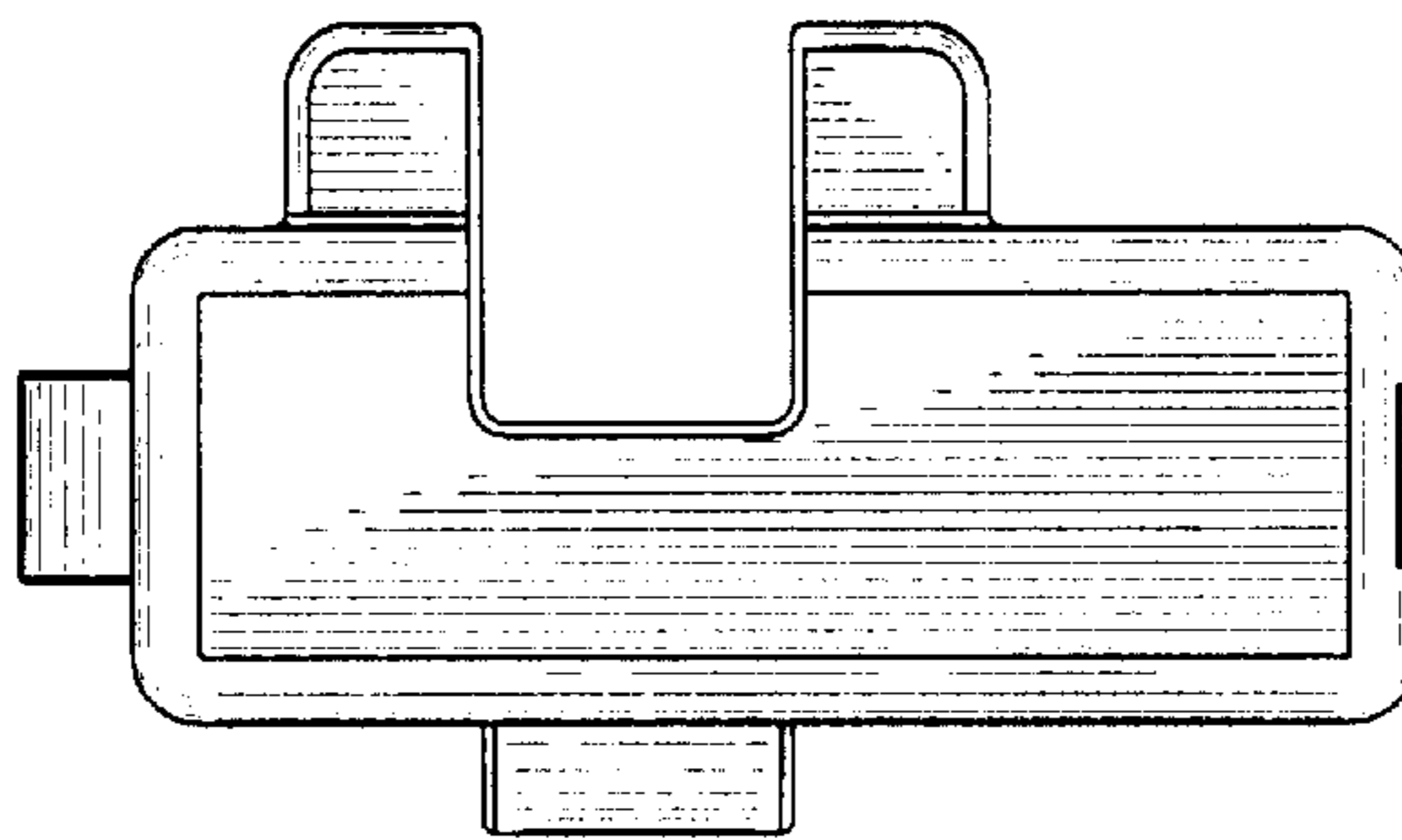


FIG. 7