



US00D485055S

(12) **United States Design Patent**
Taylor

(10) **Patent No.:** **US D485,055 S**

(45) **Date of Patent:** **** Jan. 13, 2004**

(54) **UMBRELLA STAND BASE**

(76) Inventor: **David J. Taylor**, 129 Sugar Creek La.,
Alamo, CA (US) 94507

(**) Term: **14 Years**

(21) Appl. No.: **29/170,401**

(22) Filed: **Nov. 5, 2002**

(51) **LOC (7) Cl.** **03-03**

(52) **U.S. Cl.** **D3/10**

(58) **Field of Search** D3/5-6, 10; 135/98,
135/15.1, 19.5, 99; 248/519, 523

(56) **References Cited**

U.S. PATENT DOCUMENTS

4,148,455	A	4/1979	Oliver	
4,834,126	A *	5/1989	Sweet, Jr.	135/15.1
5,354,031	A	10/1994	Bilotti	
5,499,644	A	3/1996	Geniele	
6,113,054	A	9/2000	Ma	
6,367,494	B1	4/2002	Tungl	
6,446,930	B1	9/2002	Li	
6,511,033	B2 *	1/2003	Li	248/519
6,530,487	B1 *	3/2003	Berry	248/519 X
2001/0040208	A1	11/2001	Li	

OTHER PUBLICATIONS

Catalog page from unknown source showing an umbrella stand (undated).

* cited by examiner

Primary Examiner—Louis S. Zarfaz

Assistant Examiner—Robert A. Delehanty

(74) *Attorney, Agent, or Firm*—Donald L. Beeson

(57) **CLAIM**

The ornamental design for an umbrella stand base, as shown and described.

DESCRIPTION

FIG. 1 is a top perspective view of an umbrella stand base showing my new design;

FIG. 2 is a front elevational view thereof;

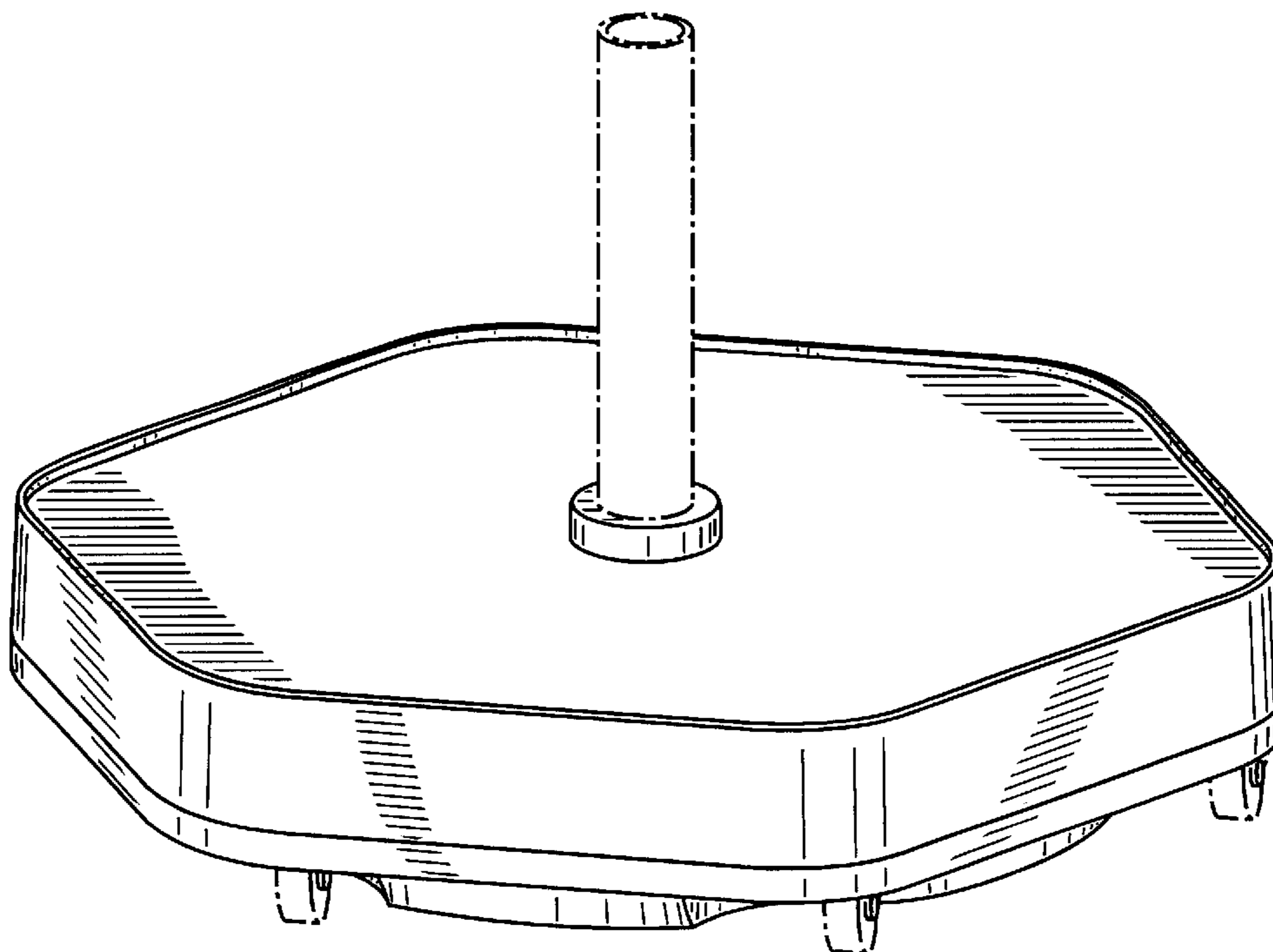
FIG. 3 is a right side elevational view, the left side being a mirror image;

FIG. 4 is a top plan view thereof; and,

FIG. 5 is a bottom plan view thereof.

The broken lines shown in FIGS. 1-5 are for illustrative purposes only and indicate the nature and use of my new design. The bottom surfaces of the umbrella stand base of my new design to the inside of the broken line circle shown in FIG. 5 are unornamented and are not considered part of my new design.

1 Claim, 4 Drawing Sheets



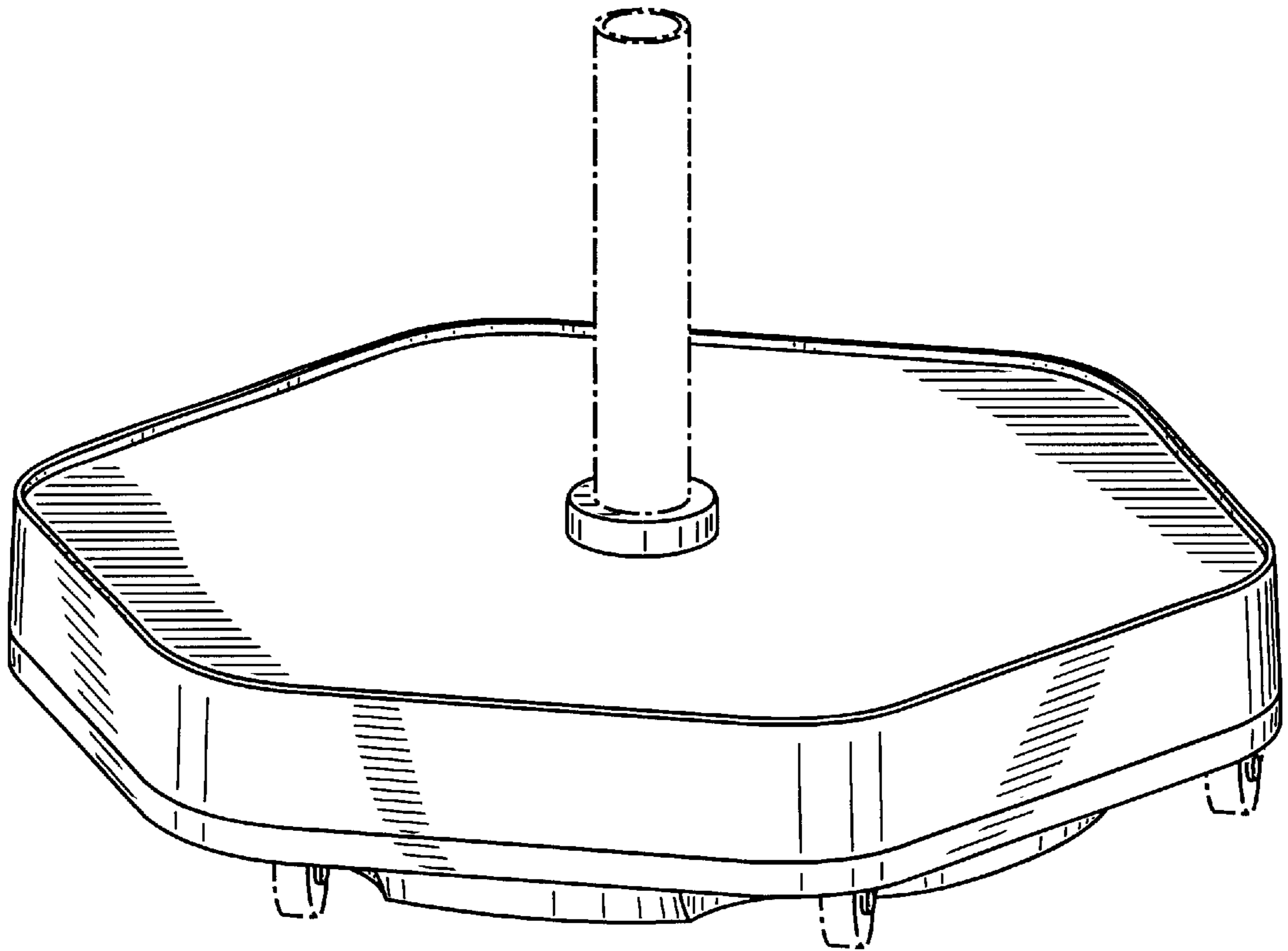


FIG. 1

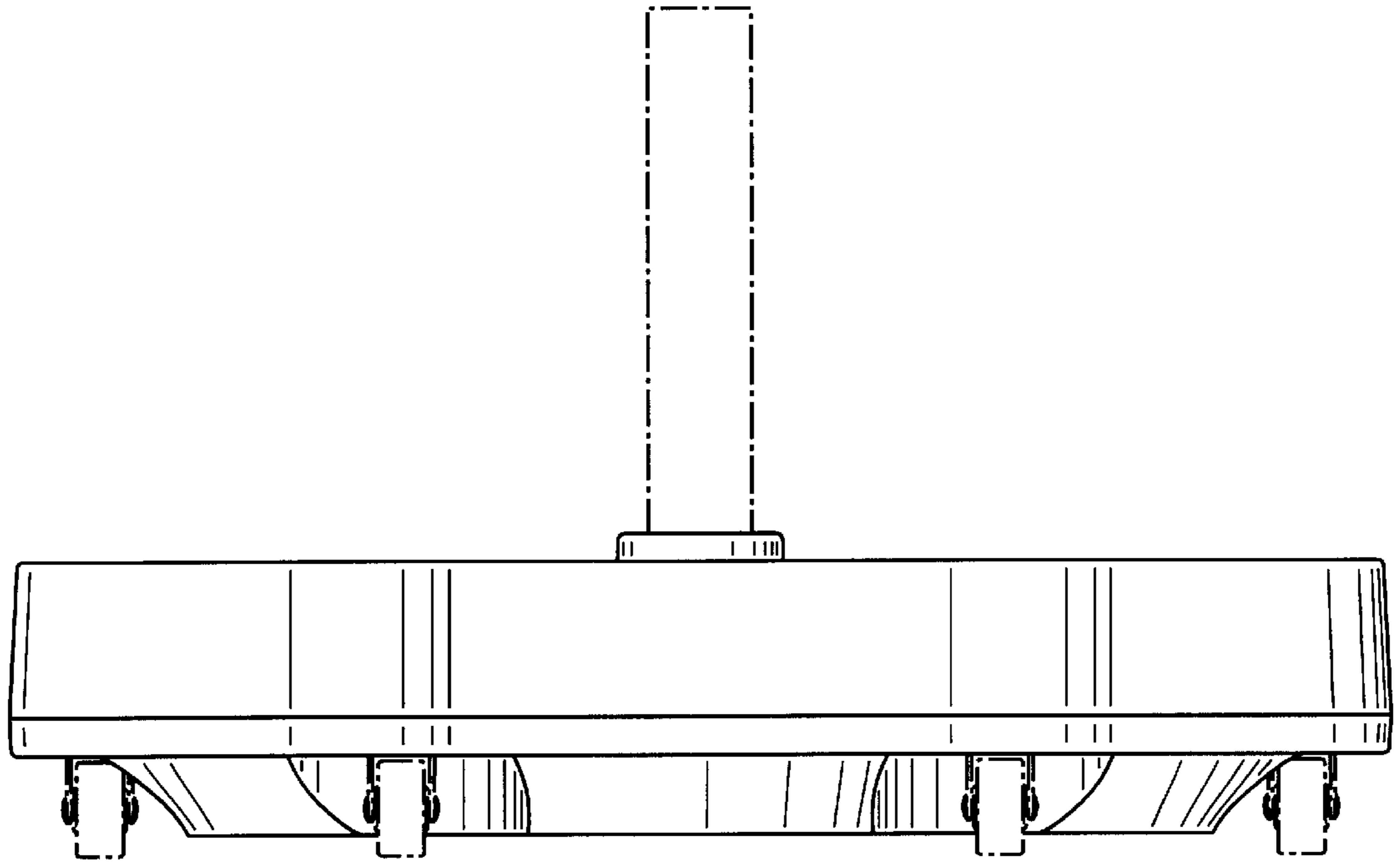


FIG._2

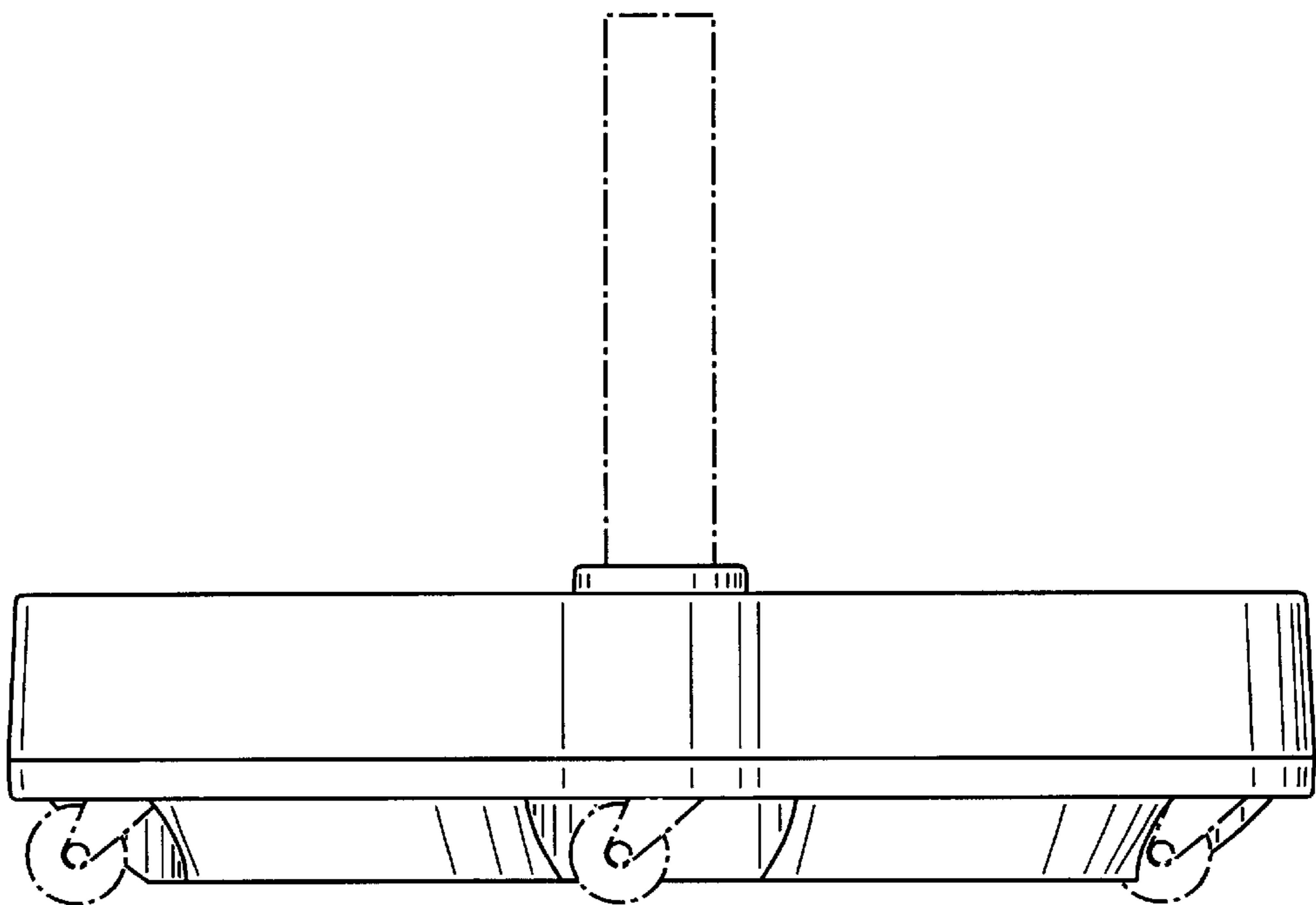


FIG._3

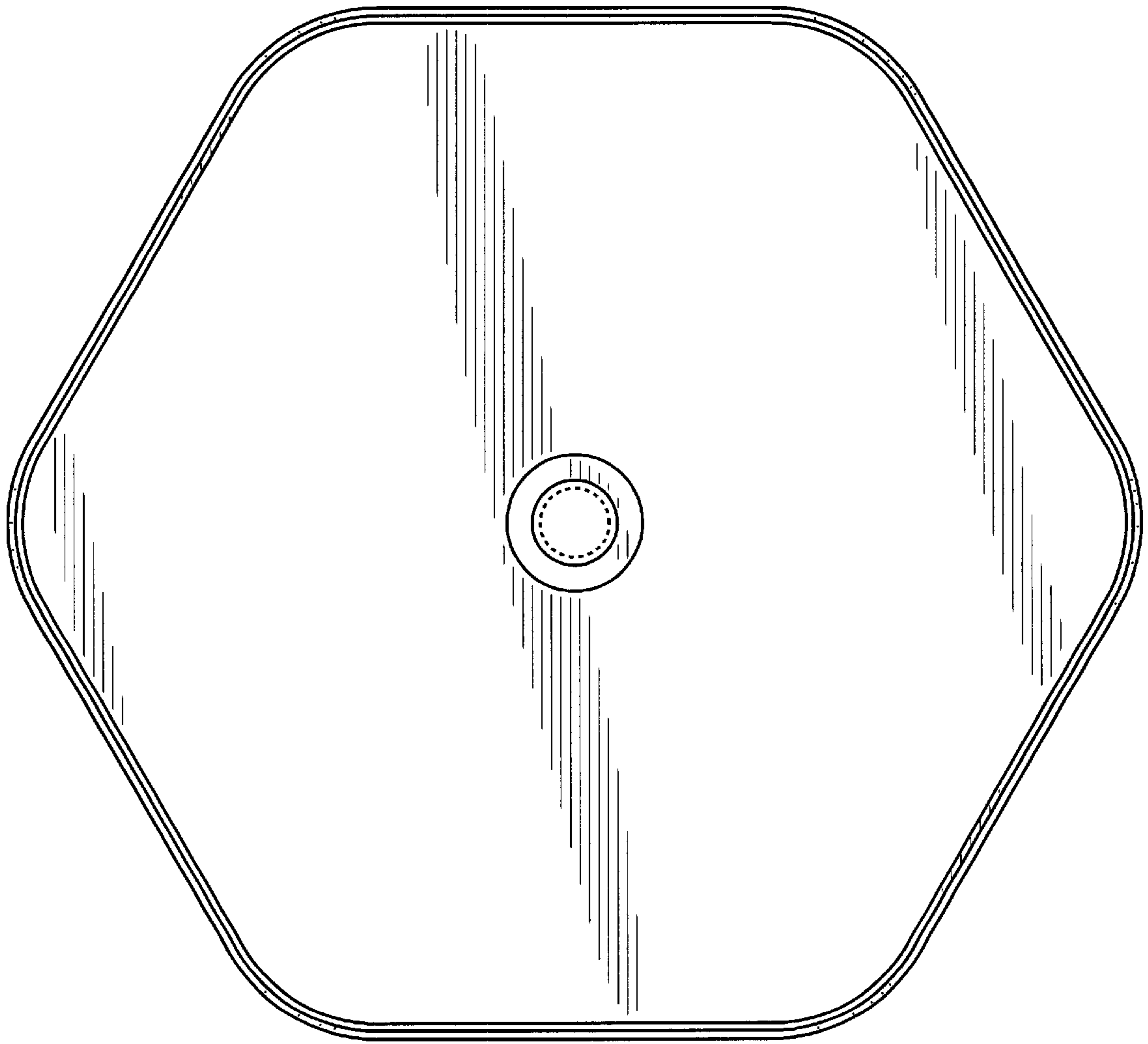


FIG. 4

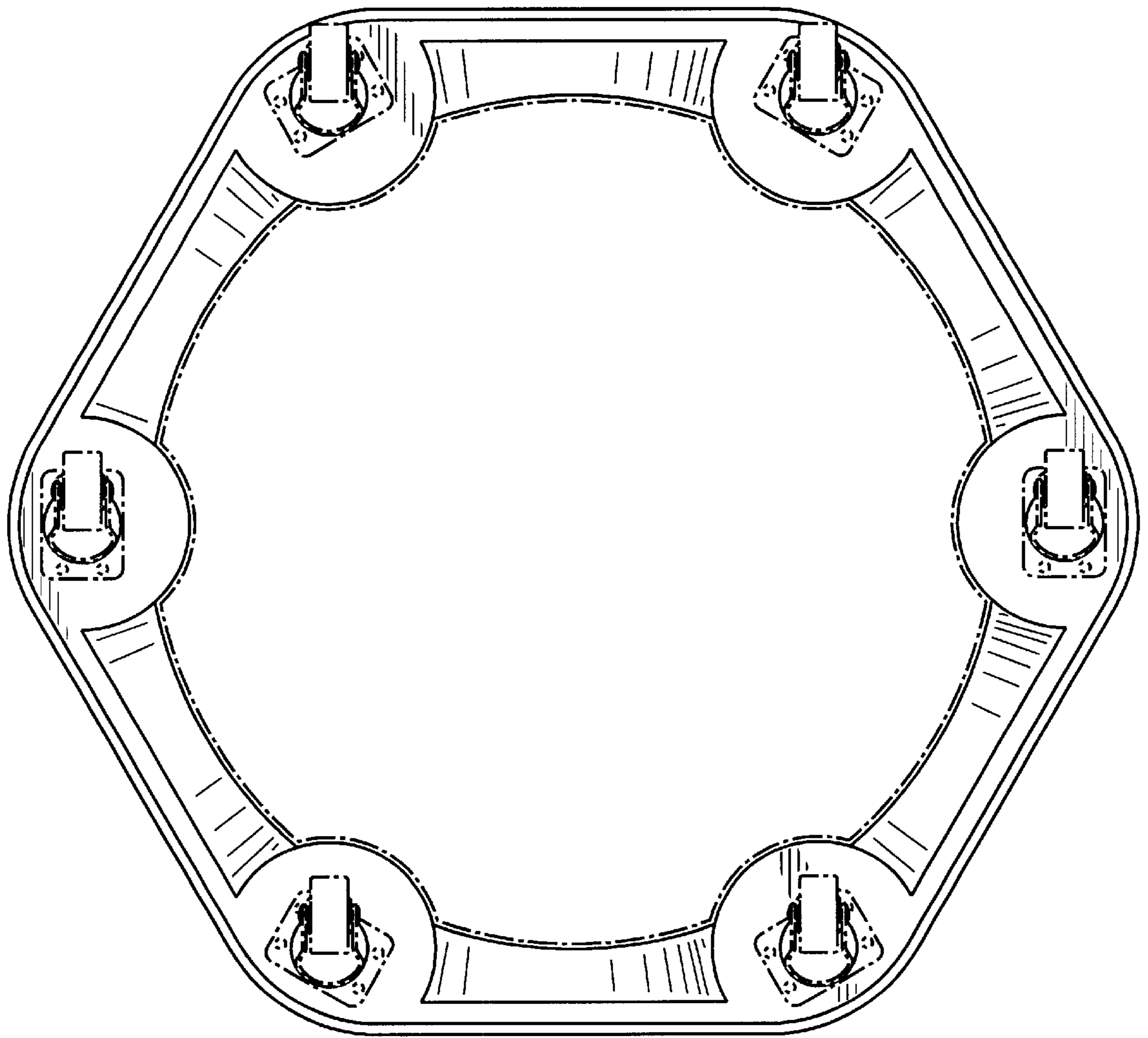


FIG._5