



US00D485039S

(12) **United States Design Patent**
Hussaini et al.

(10) **Patent No.:** **US D485,039 S**

(45) **Date of Patent:** **** Jan. 6, 2004**

(54) **FLOOR JACK**

(75) Inventors: **Saied Hussaini**, Miami, FL (US); **Marc Iacovelli**, Miami, FL (US)

(73) Assignee: **Rally Manufacturing, Inc.**, Miami, FL (US)

(**) Term: **14 Years**

(21) Appl. No.: **29/172,103**

(22) Filed: **Dec. 6, 2002**

(51) **LOC (7) Cl.** **12-05**

(52) **U.S. Cl.** **D34/31**

(58) **Field of Search** D34/28, 31; 254/813, 254/93 H, 2 B, DIG. 3, 11, 45, DIG. 8

(56) **References Cited**

U.S. PATENT DOCUMENTS

4,241,900	A	*	12/1980	Okuda	254/8 B
D295,799	S	*	5/1988	Hung	D34/31
D296,598	S	*	7/1988	Hung	D34/31
4,850,568	A	*	7/1989	Hung	254/8 B
D358,923	S	*	5/1995	Hawkins	D34/31
D364,026	S	*	11/1995	Hung	D34/31
D416,370	S	*	11/1999	Hung	D34/31
D423,750	S	*	4/2000	Hung	D34/31

D442,354 S * 5/2001 Travis D2/882

D452,597 S * 12/2001 Hung D34/31

D454,419 S * 3/2002 Lee et al. D34/31

6,357,724 B1 * 3/2002 Hung 254/8 B

6,505,816 B1 * 1/2003 Hung 254/8 B

* cited by examiner

Primary Examiner—Cynthia E. Ramirez

(74) *Attorney, Agent, or Firm*—Liniak, Berenato & White

(57) **CLAIM**

The ornamental design for a floor jack, as shown and described.

DESCRIPTION

FIG. 1 is a right side View of the floor jack according to the present invention;

FIG. 2 is a left side view of the floor jack of FIG. 1;

FIG. 3 is a front view of the floor jack of FIG. 1;

FIG. 4 is a rear view of the floor jack of FIG. 1;

FIG. 5 is a top view of the floor jack of FIG. 1;

FIG. 6 is a bottom view of the floor jack of FIG. 1; and,

FIG. 7 is a perspective view of the floor jack of FIG. 1.

The broken line showing of a handle in the figures is for illustrative purposes only and forms no part of the claimed design.

1 Claim, 6 Drawing Sheets

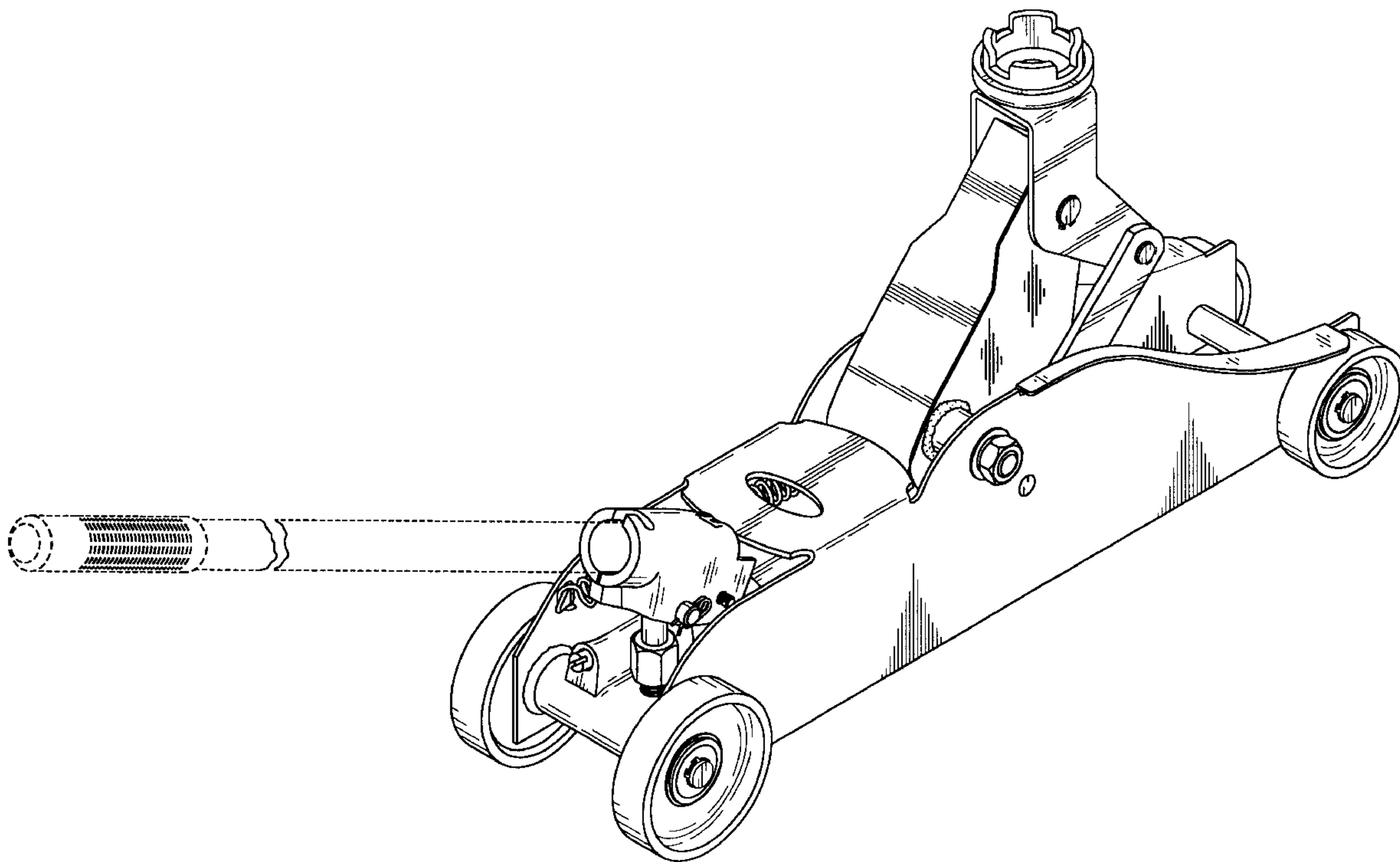


Fig. 1

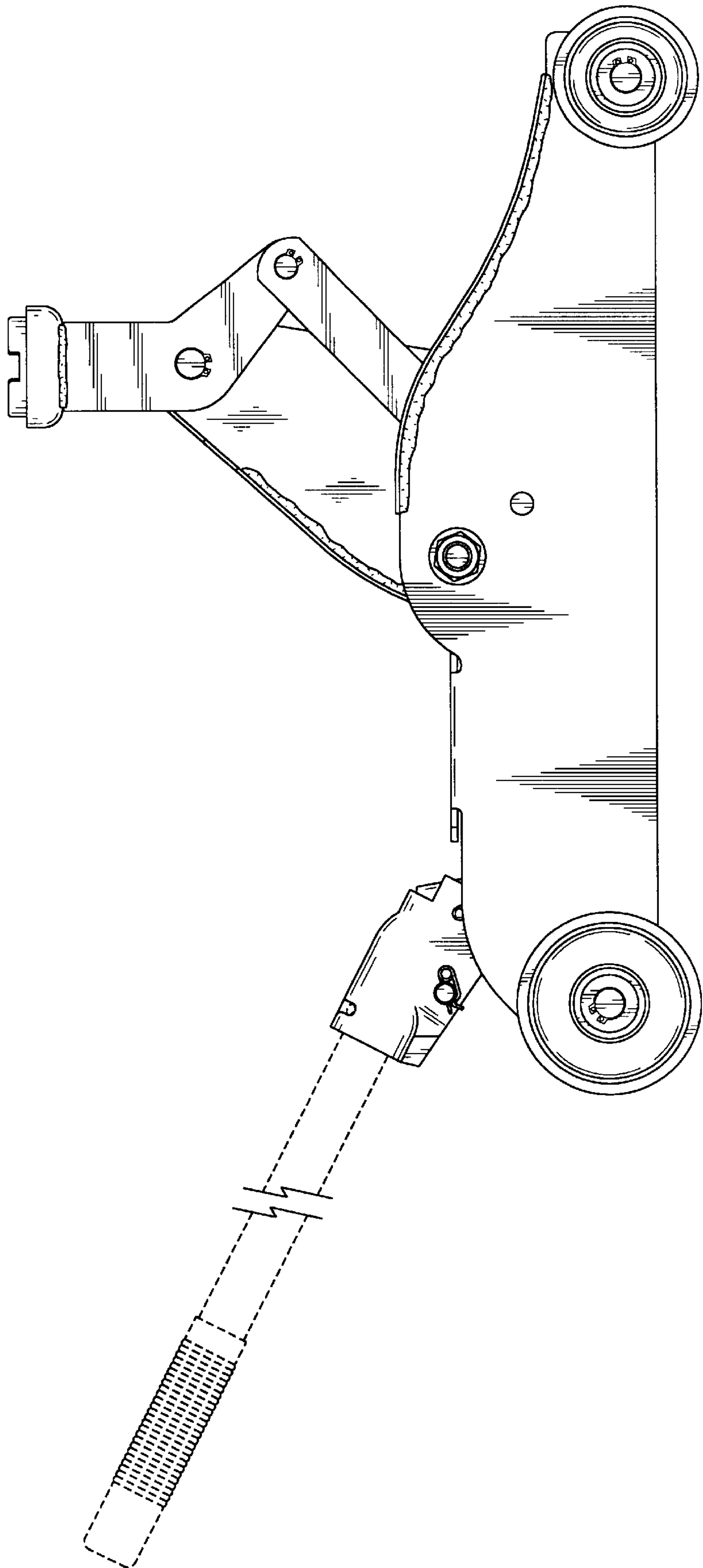


Fig. 2

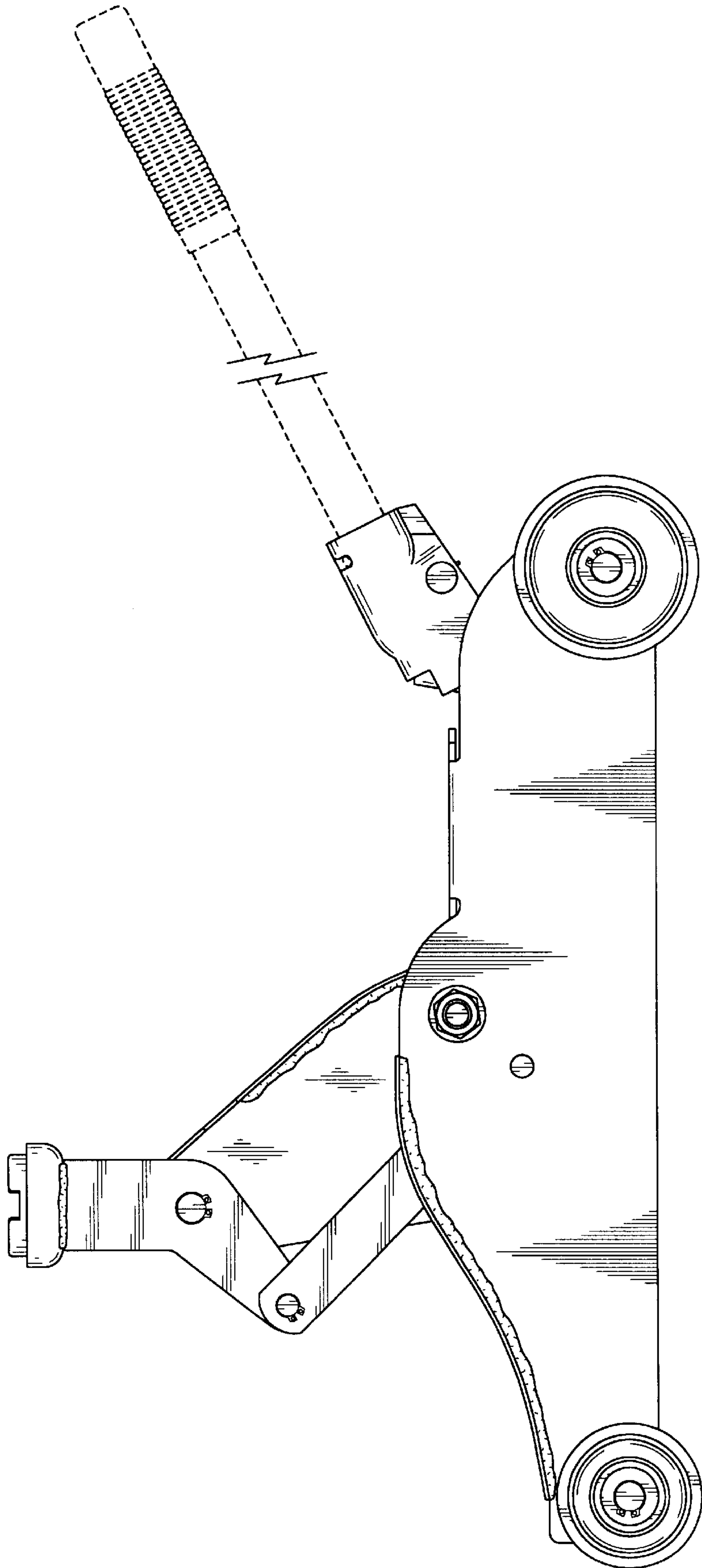


Fig. 4

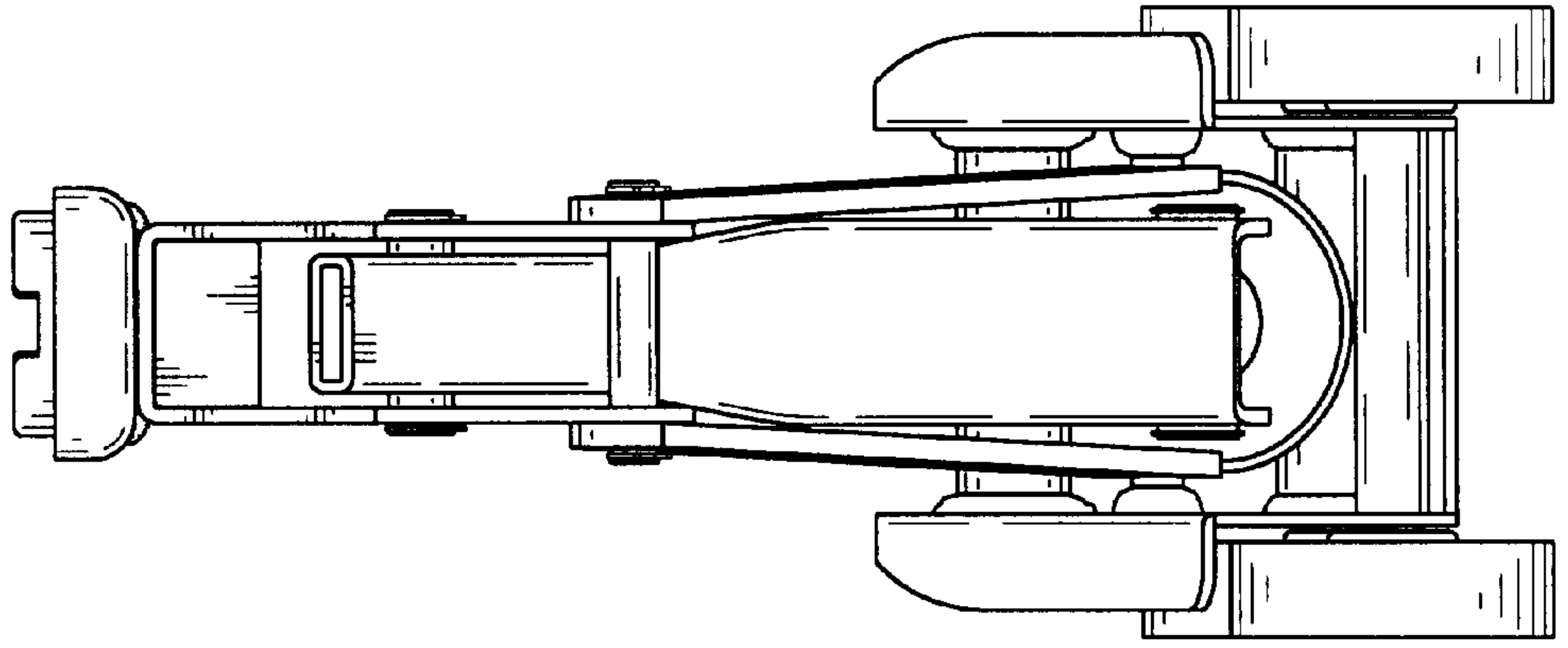


Fig. 3

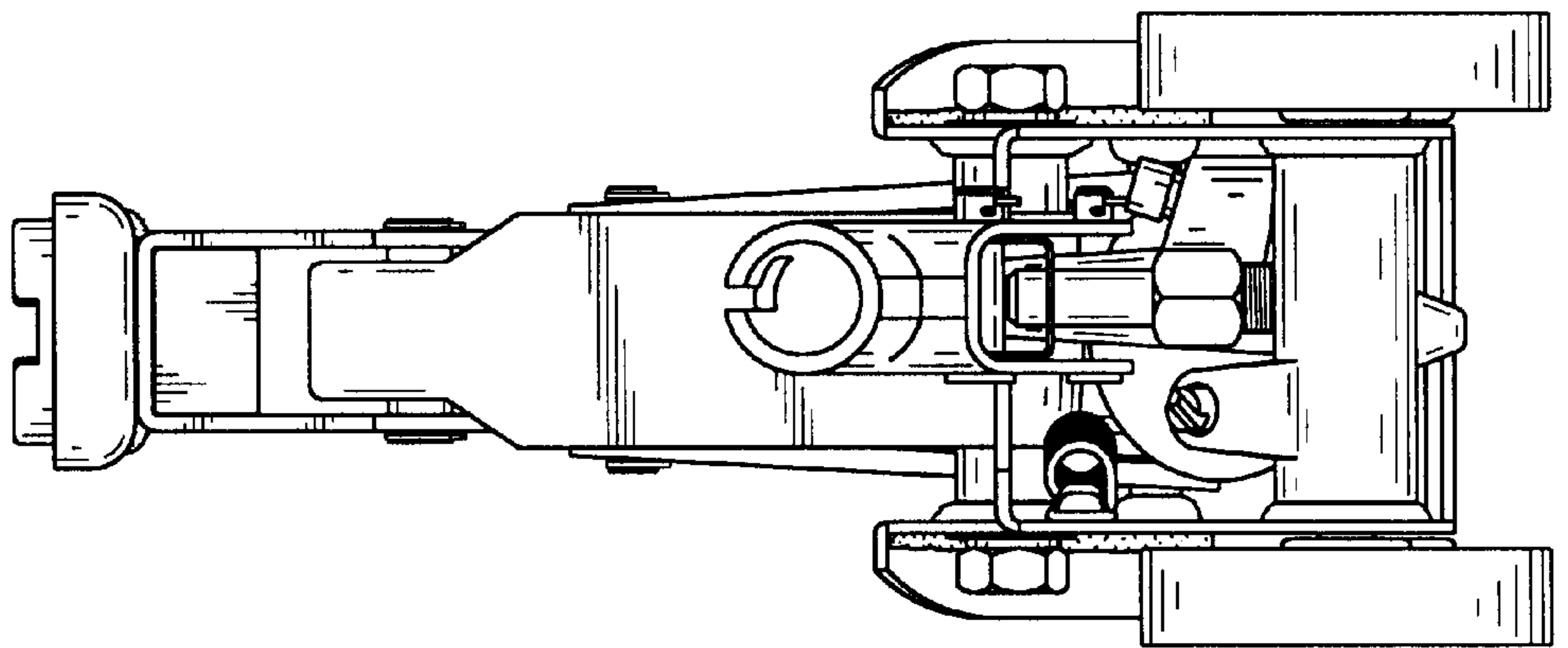


Fig. 5

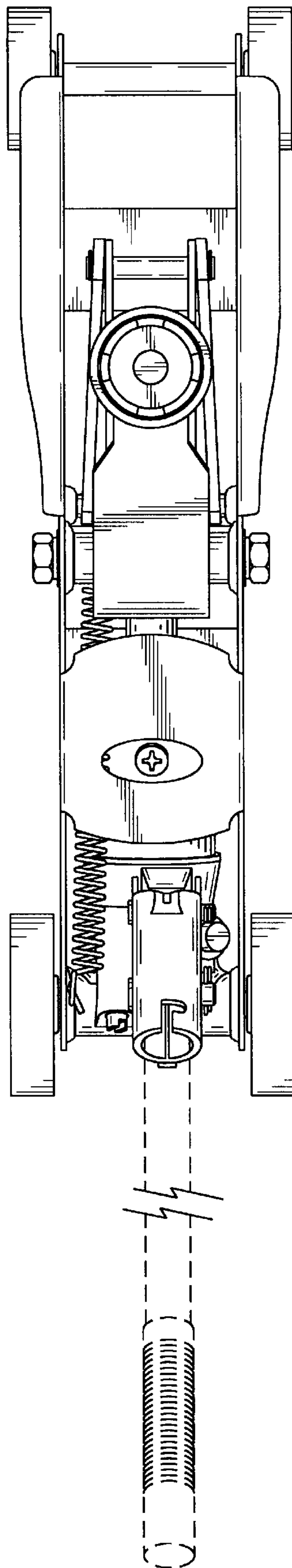
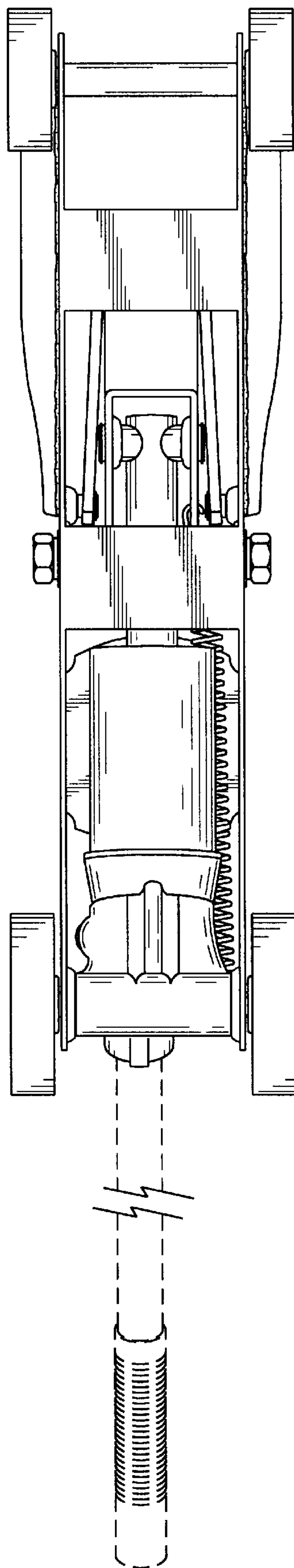


Fig. 6



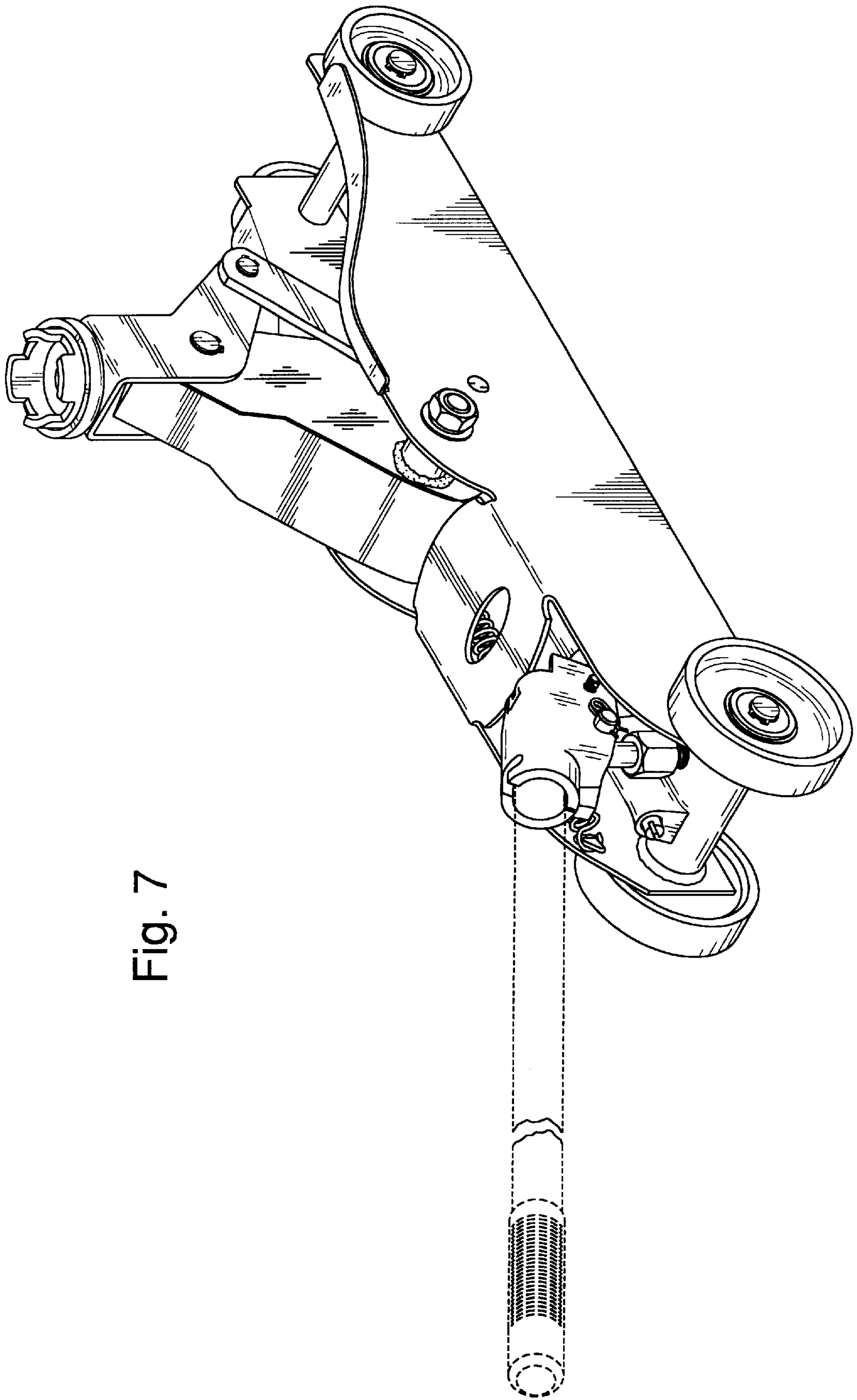


Fig. 7