



US00D485038S

(12) **United States Design Patent**  
**Zimmer**

(10) **Patent No.:** **US D485,038 S**

(45) **Date of Patent:** **\*\* Jan. 6, 2004**

(54) **HANDCART**

(75) Inventor: **Jürgen Zimmer**, Koblenz (DE)

(73) Assignee: **Wolfcraft GmbH**, Kempenich (DE)

(\*\*) Term: **14 Years**

(21) Appl. No.: **29/175,604**

(22) Filed: **Feb. 5, 2003**

(51) **LOC (7) Cl.** ..... **12-02**

(52) **U.S. Cl.** ..... **D34/24**

(58) **Field of Search** ..... D34/12-27; 280/40,  
280/655, 651, 652, 655.1, 47.24, 47.27,  
47.29

(56) **References Cited**

**U.S. PATENT DOCUMENTS**

4,335,895 A	6/1982	Walker	
4,969,660 A	11/1990	Spak	
4,993,727 A	2/1991	vom Braucke et al.	
5,468,005 A	11/1995	Yang	
5,630,601 A	5/1997	vom Braucke et al.	
5,803,471 A	9/1998	DeMars et al.	
D411,679 S *	6/1999	Hsieh et al. ....	D34/24
5,984,327 A	11/1999	Hsieh et al.	
6,053,514 A	4/2000	Su	
D453,602 S *	2/2002	Chang .....	D34/24
D466,267 S *	11/2002	Lee .....	D34/24
D468,882 S *	1/2003	Hsieh et al. ....	D34/24

\* cited by examiner

*Primary Examiner*—Kay H. Chin

(74) *Attorney, Agent, or Firm*—Bell, Boyd & Lloyd LLC

(57) **CLAIM**

The ornamental design for a handcart, as shown and described.

**DESCRIPTION**

FIG. 1 is a front elevation view of a handcart showing my new design;

FIG. 2 is a right side elevation view thereof;

FIG. 3 is a rear elevation view thereof;

FIG. 4 is a left side elevation view thereof;

FIG. 5 is a bottom plan view thereof;

FIG. 6 is a top plan view thereof;

FIG. 7 is a front perspective view thereof;

FIG. 8 is a rear perspective view thereof;

FIG. 9 is a front perspective view thereof showing a handle in a retracted position;

FIG. 10 is a rear perspective view thereof showing the handle in a retracted position;

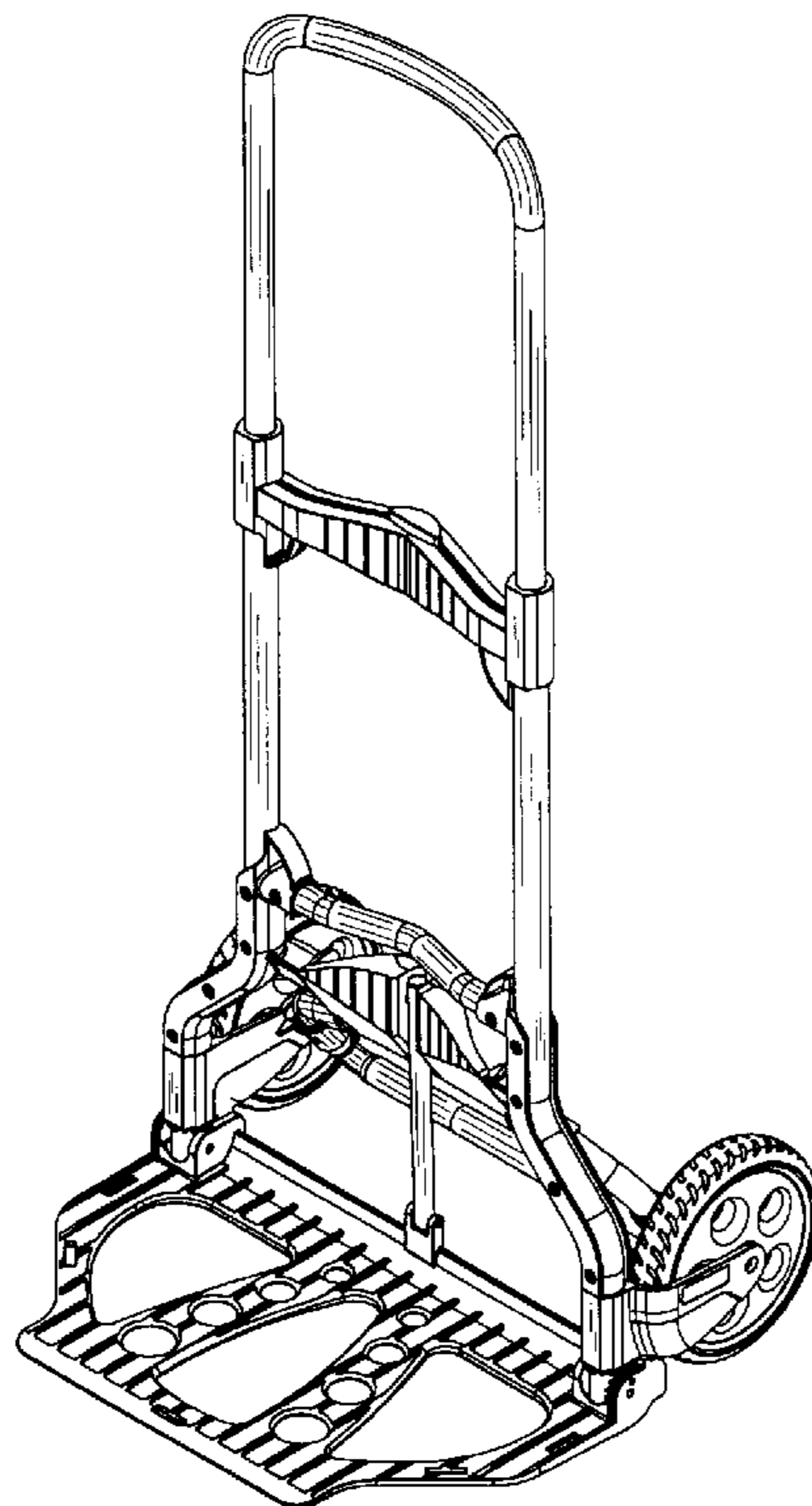
FIG. 11 is a front perspective view thereof showing the handcart in a collapsed position;

FIG. 12 is a rear perspective view thereof showing the handcart in a collapsed position;

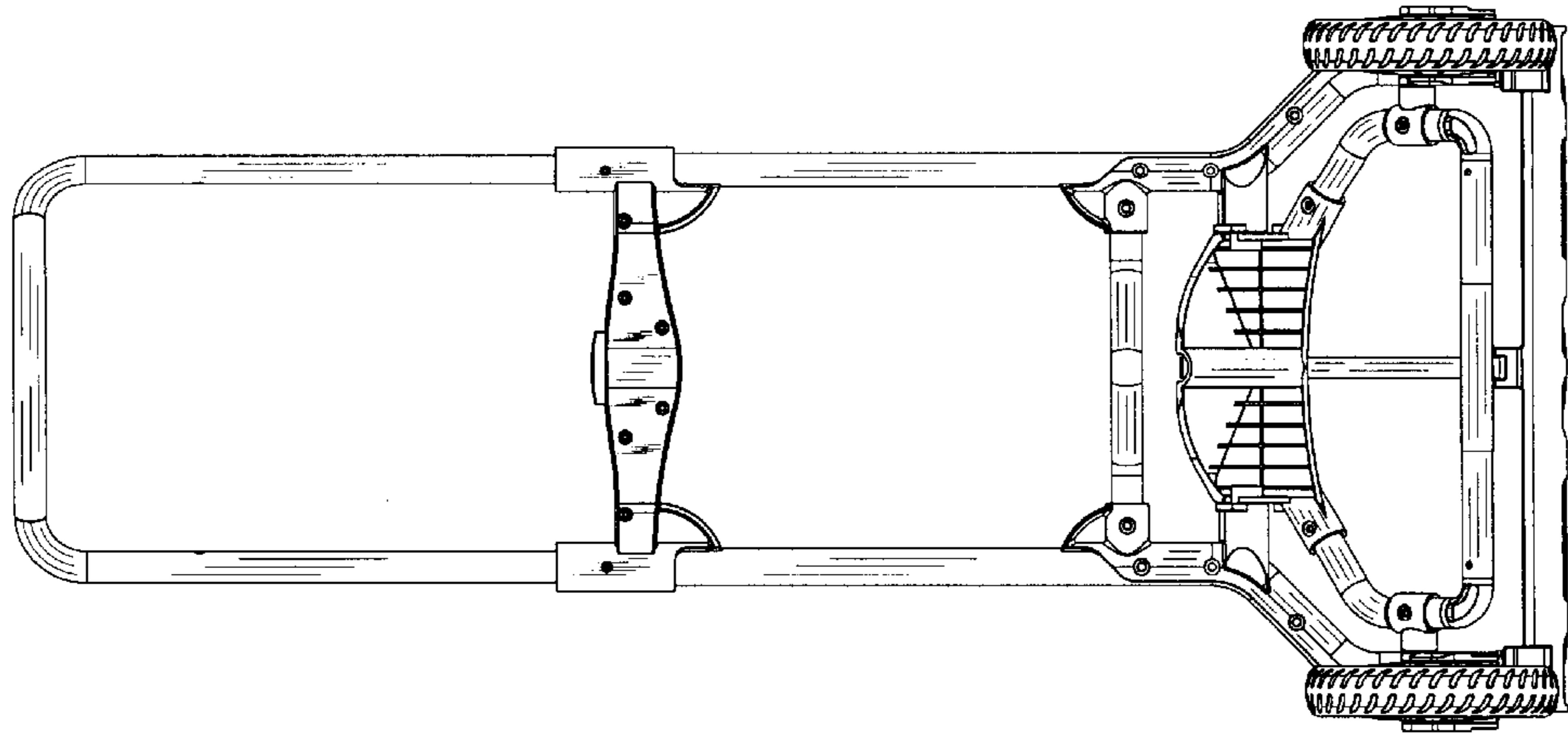
FIG. 13 is a front elevation view of a second embodiment of the handcart having a handle shorter than the handle of the first embodiment; and,

FIG. 14 is a rear elevation view of FIG. 13.

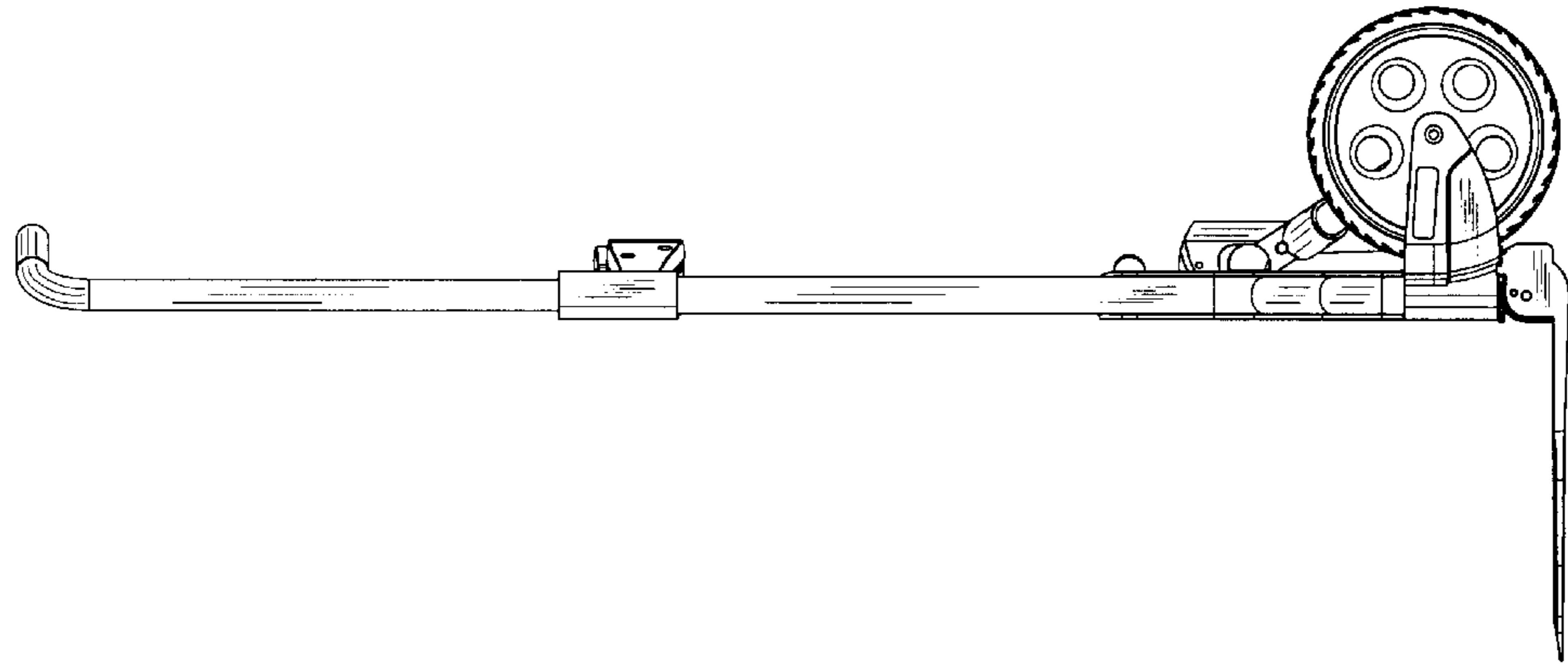
**1 Claim, 5 Drawing Sheets**



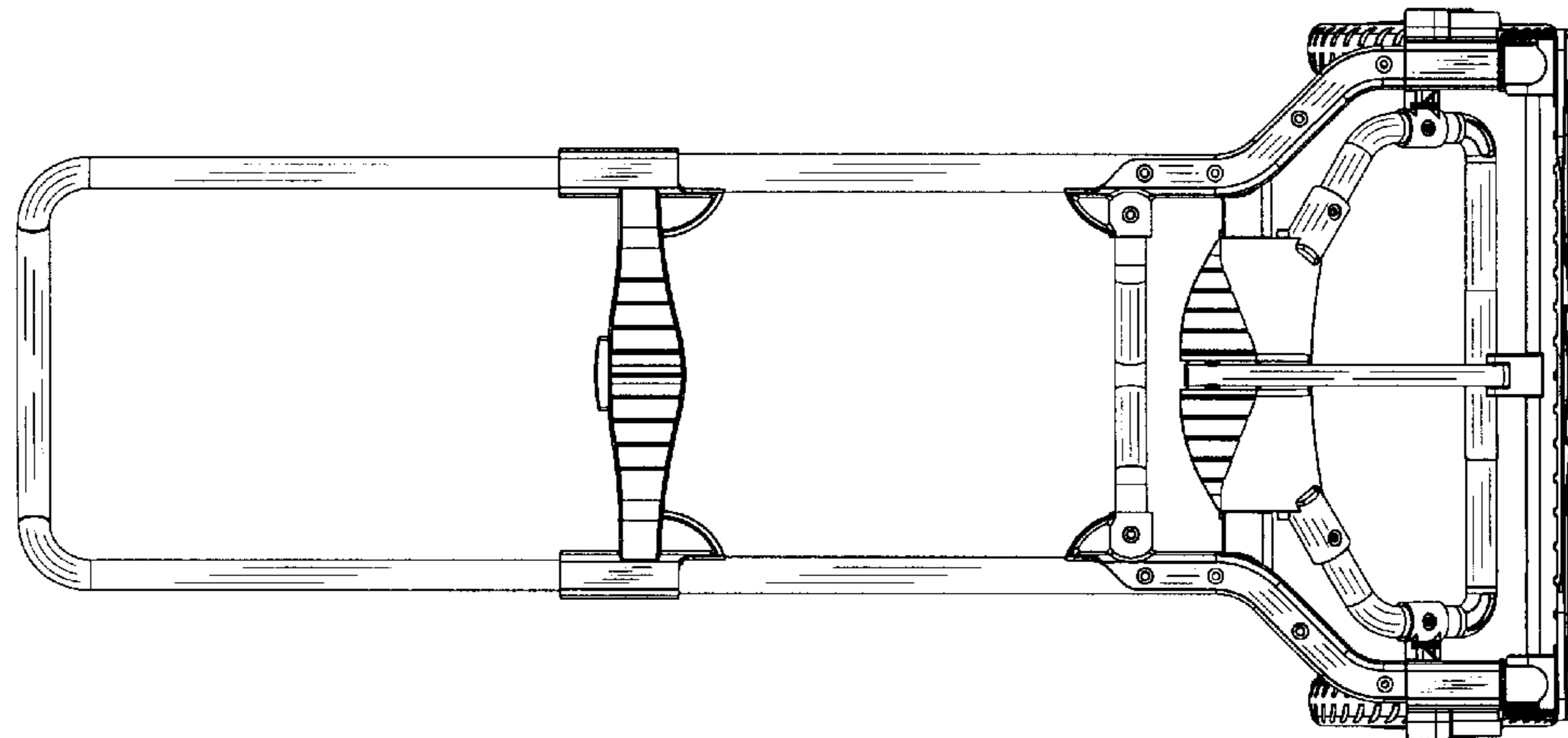
**Fig. 3**



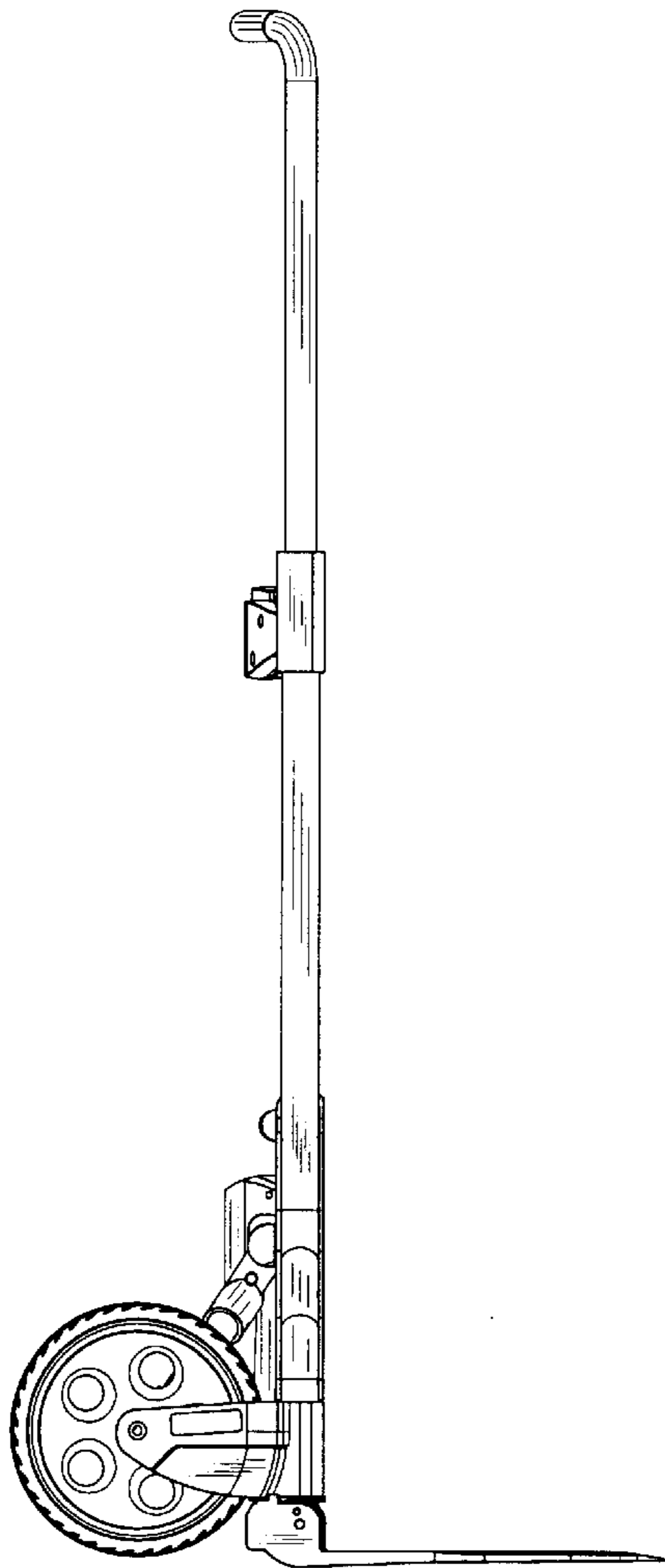
**Fig. 2**



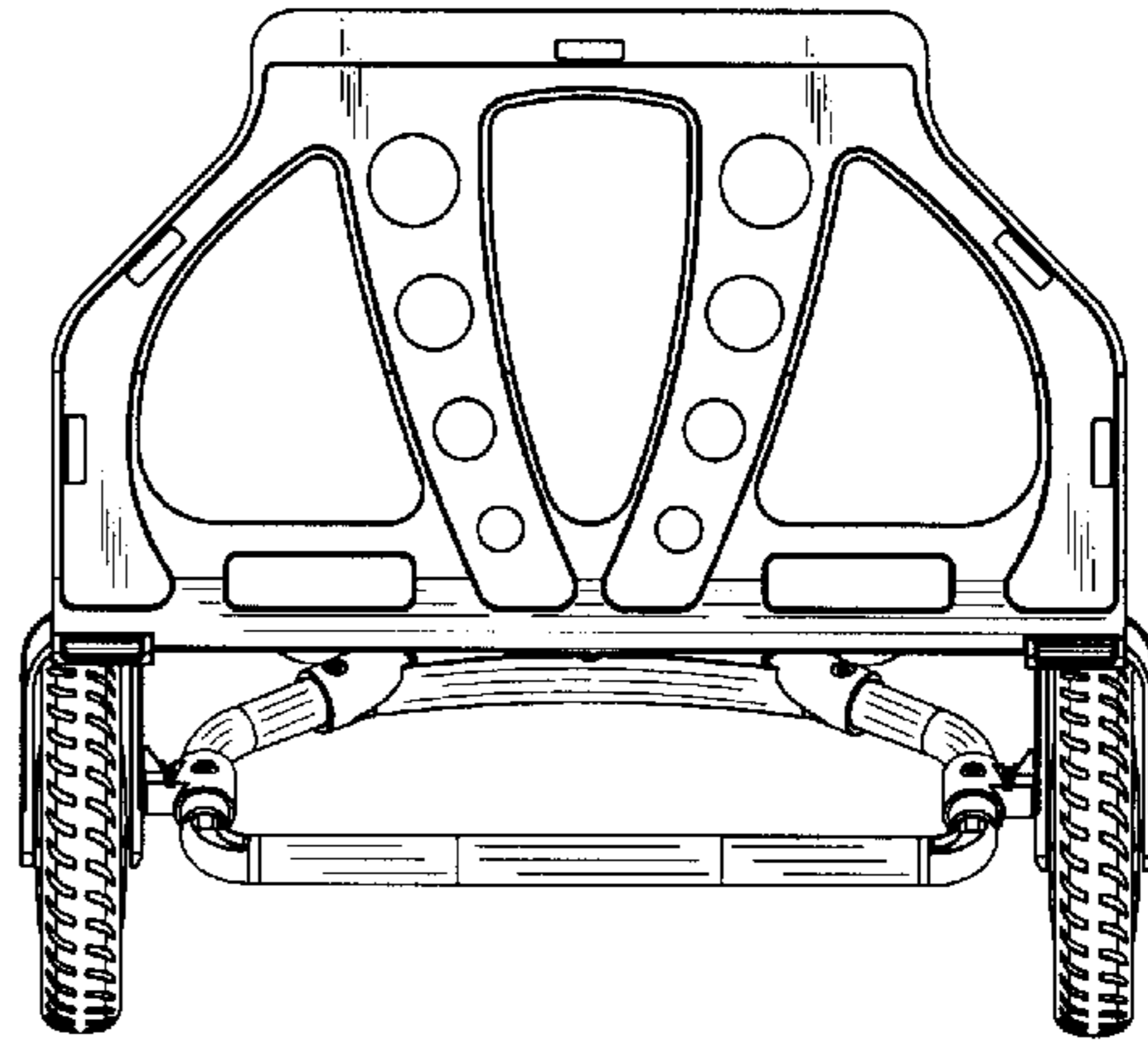
**Fig. 1**



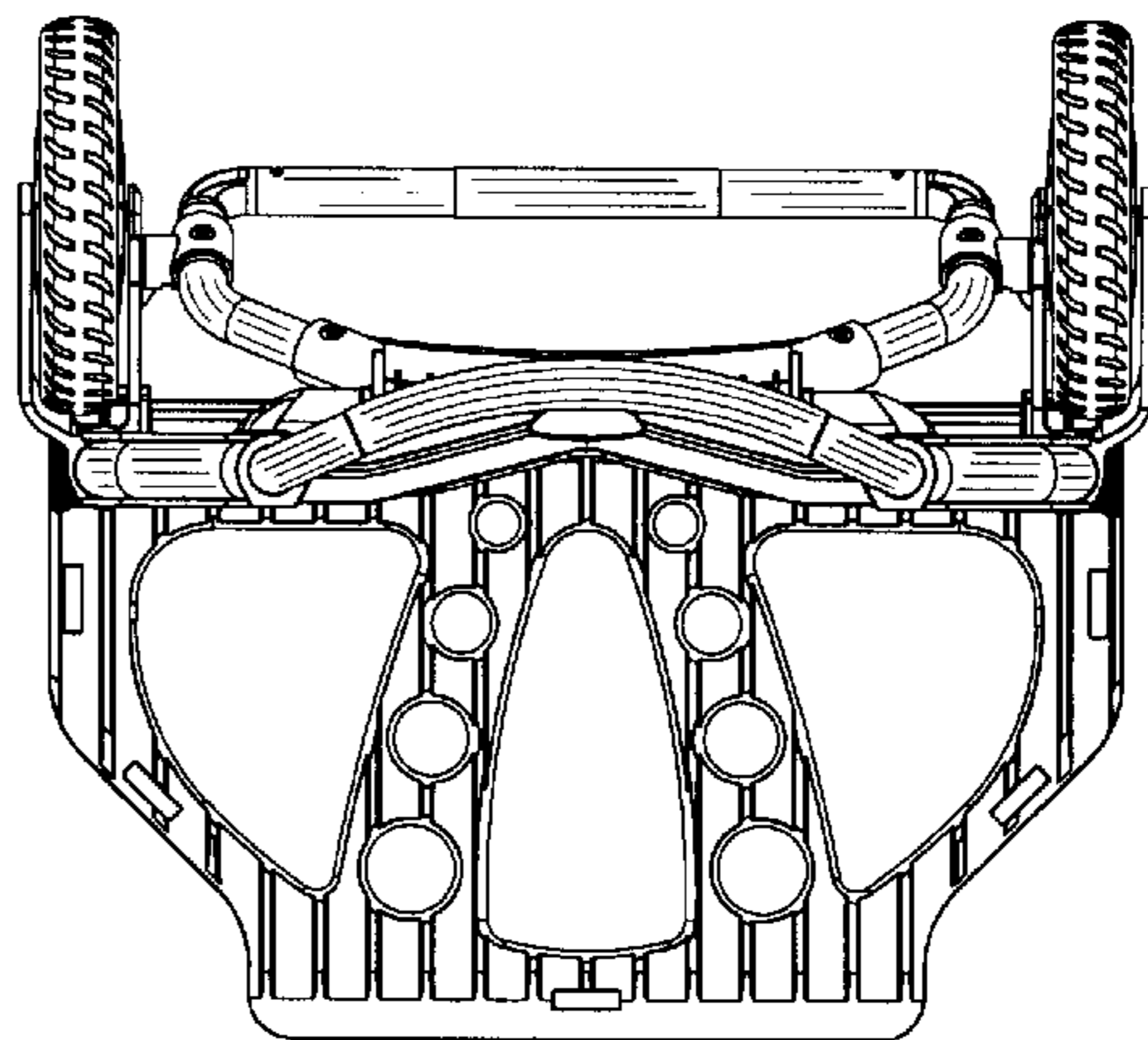
***Fig. 4***



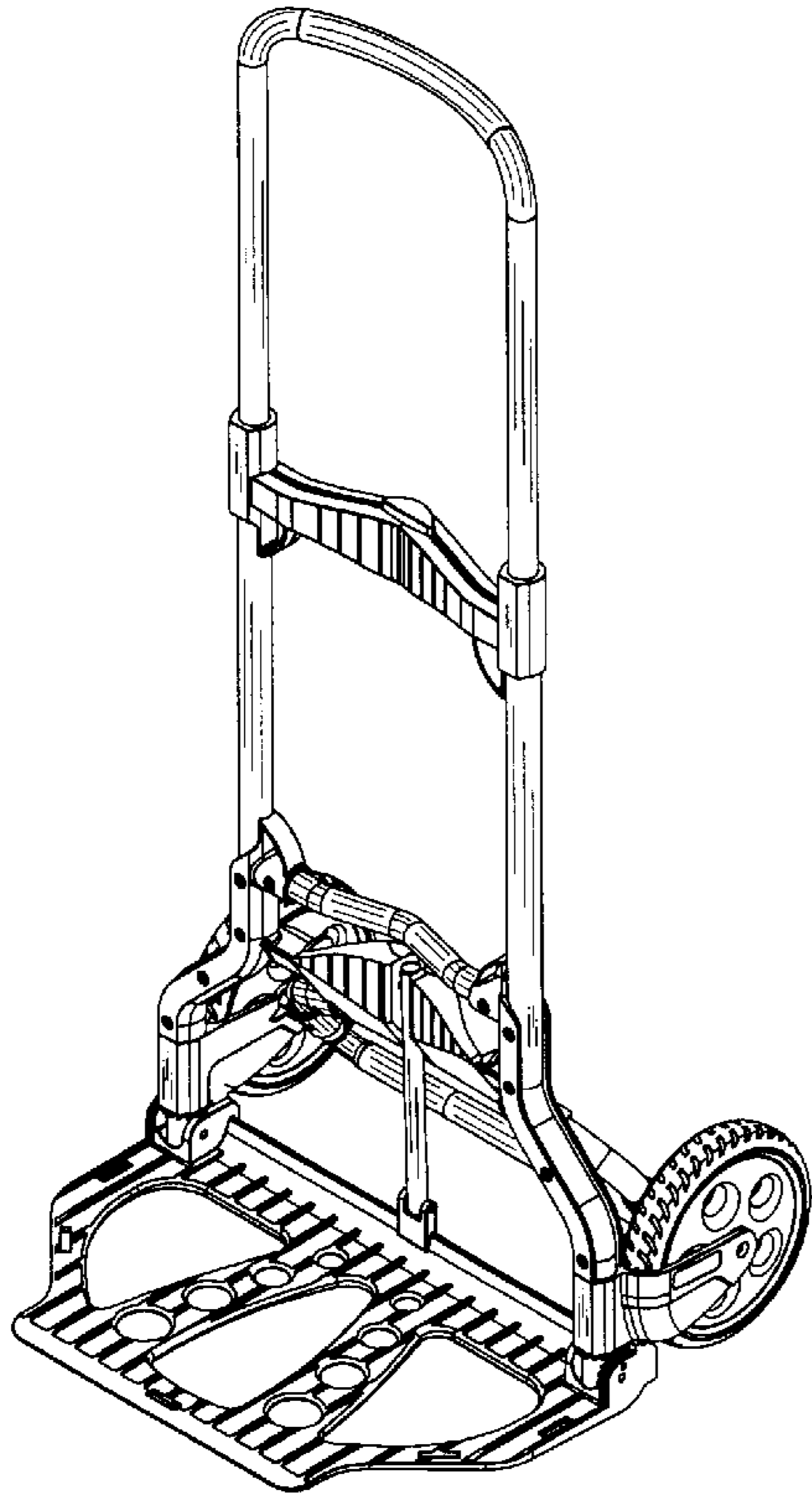
***Fig. 5***



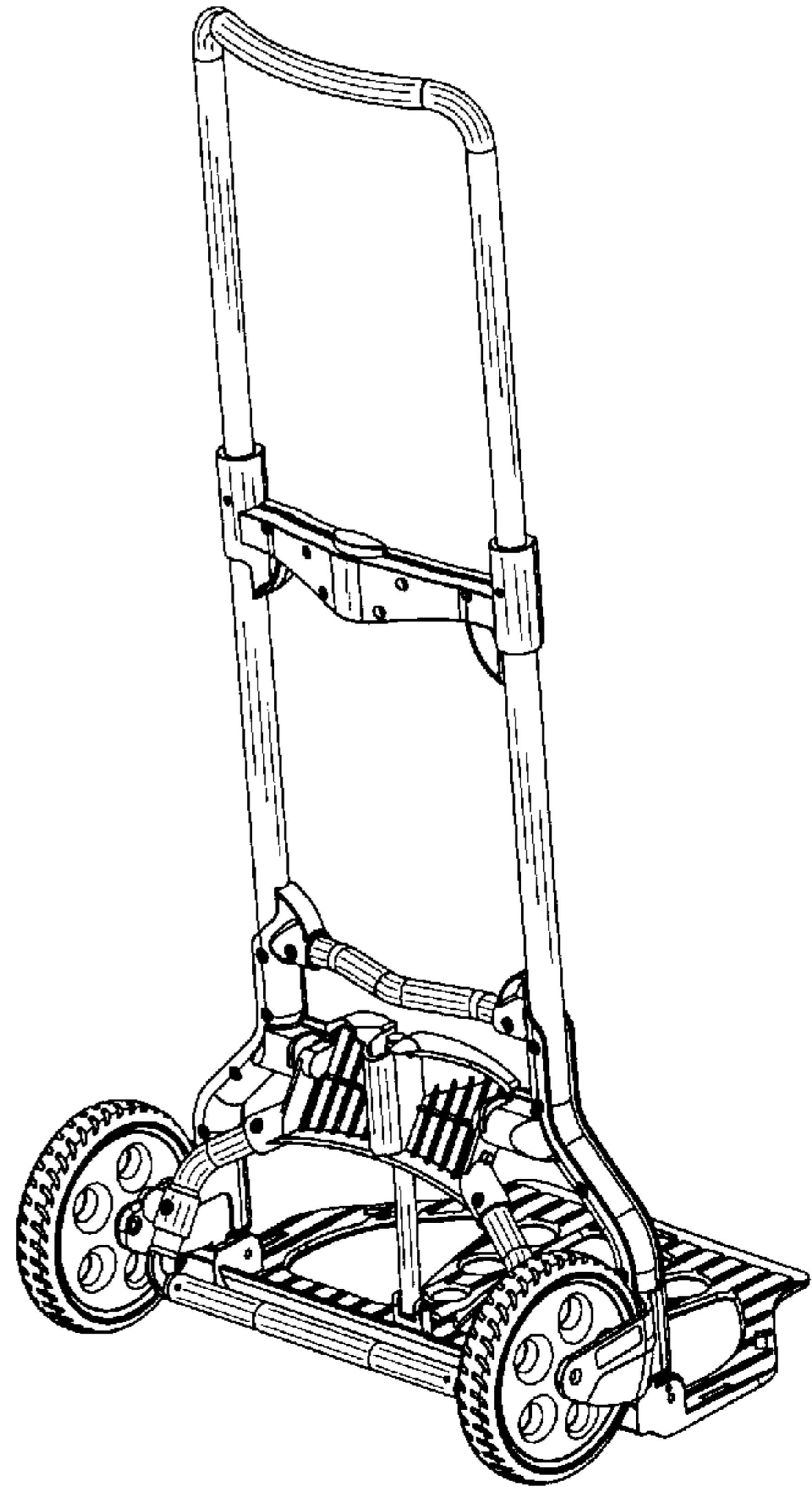
***Fig. 6***



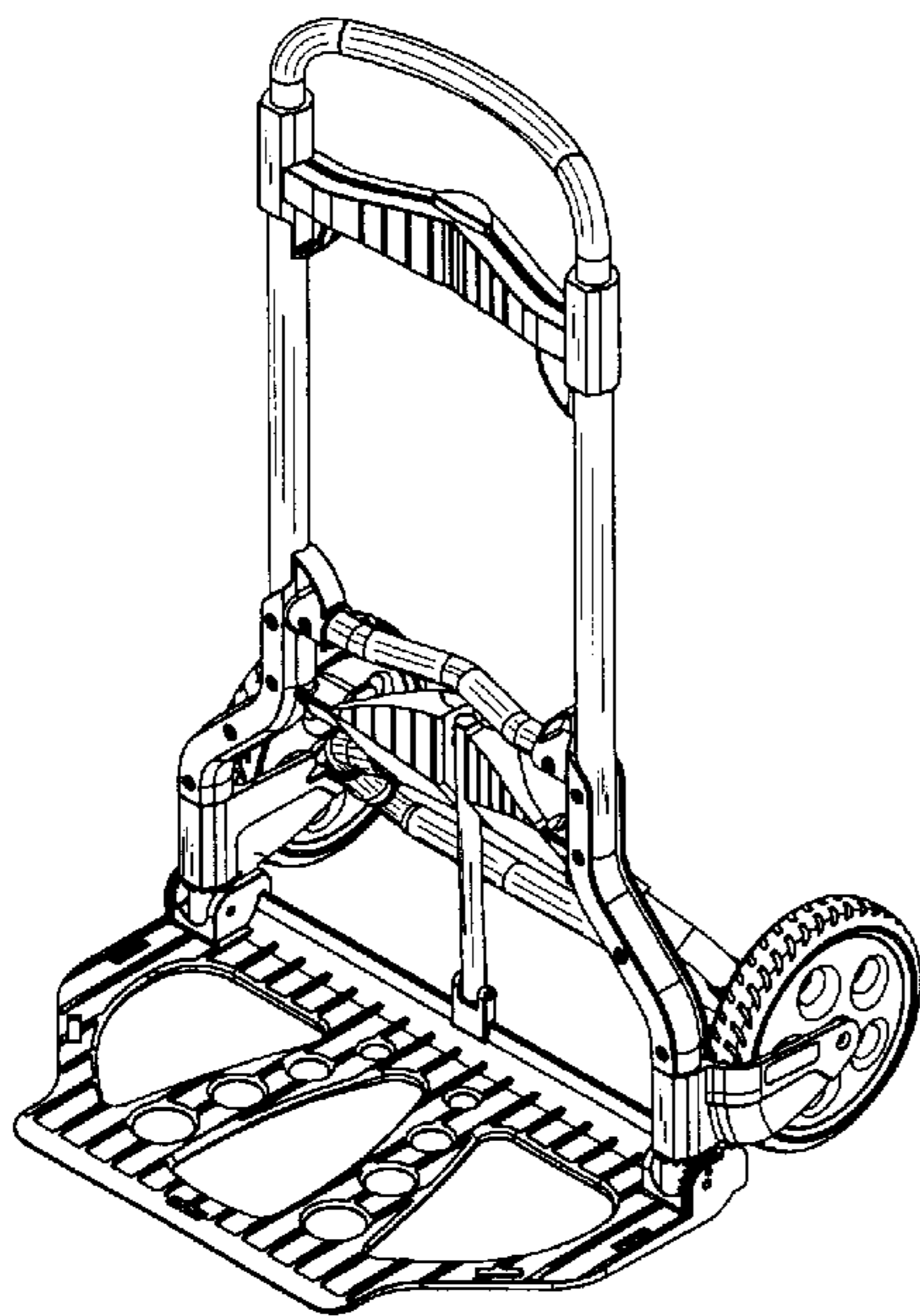
***Fig. 7***



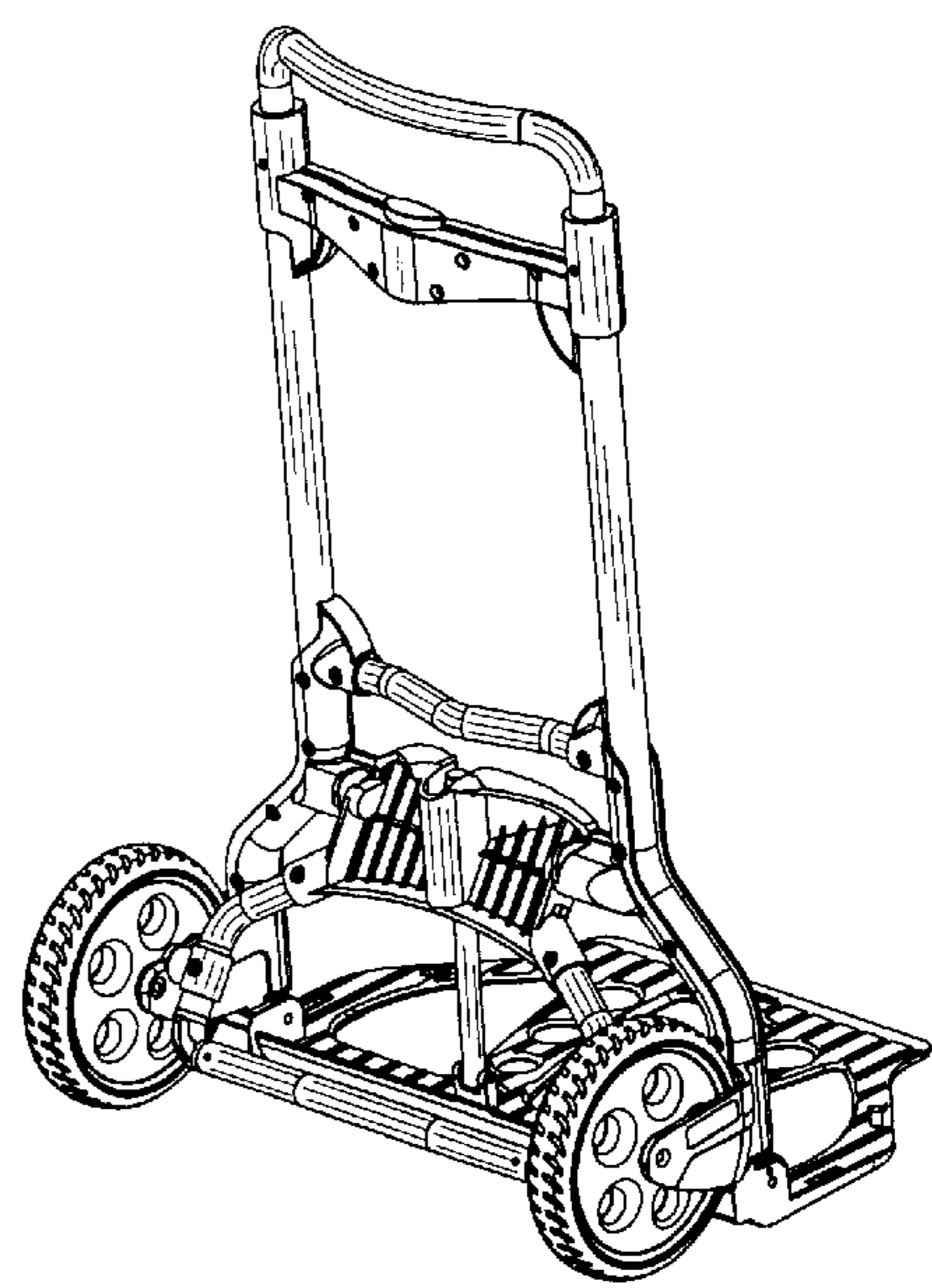
***Fig. 8***



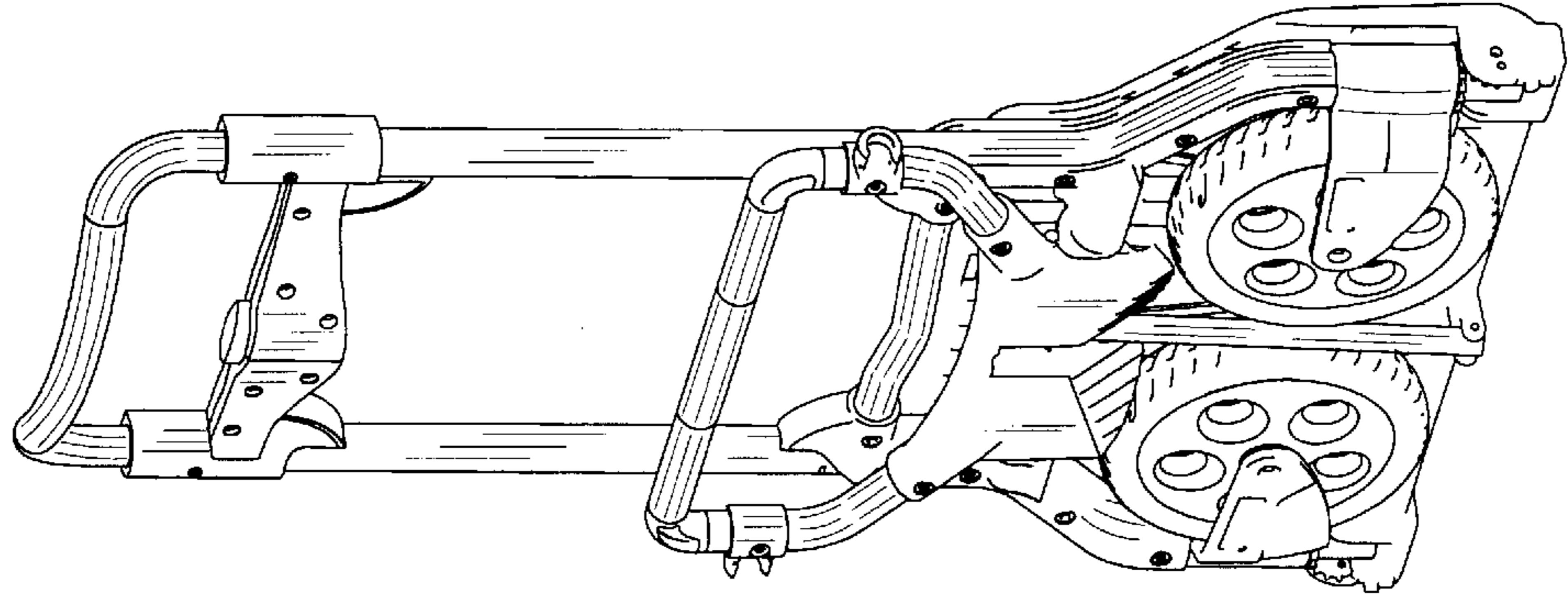
***Fig. 9***



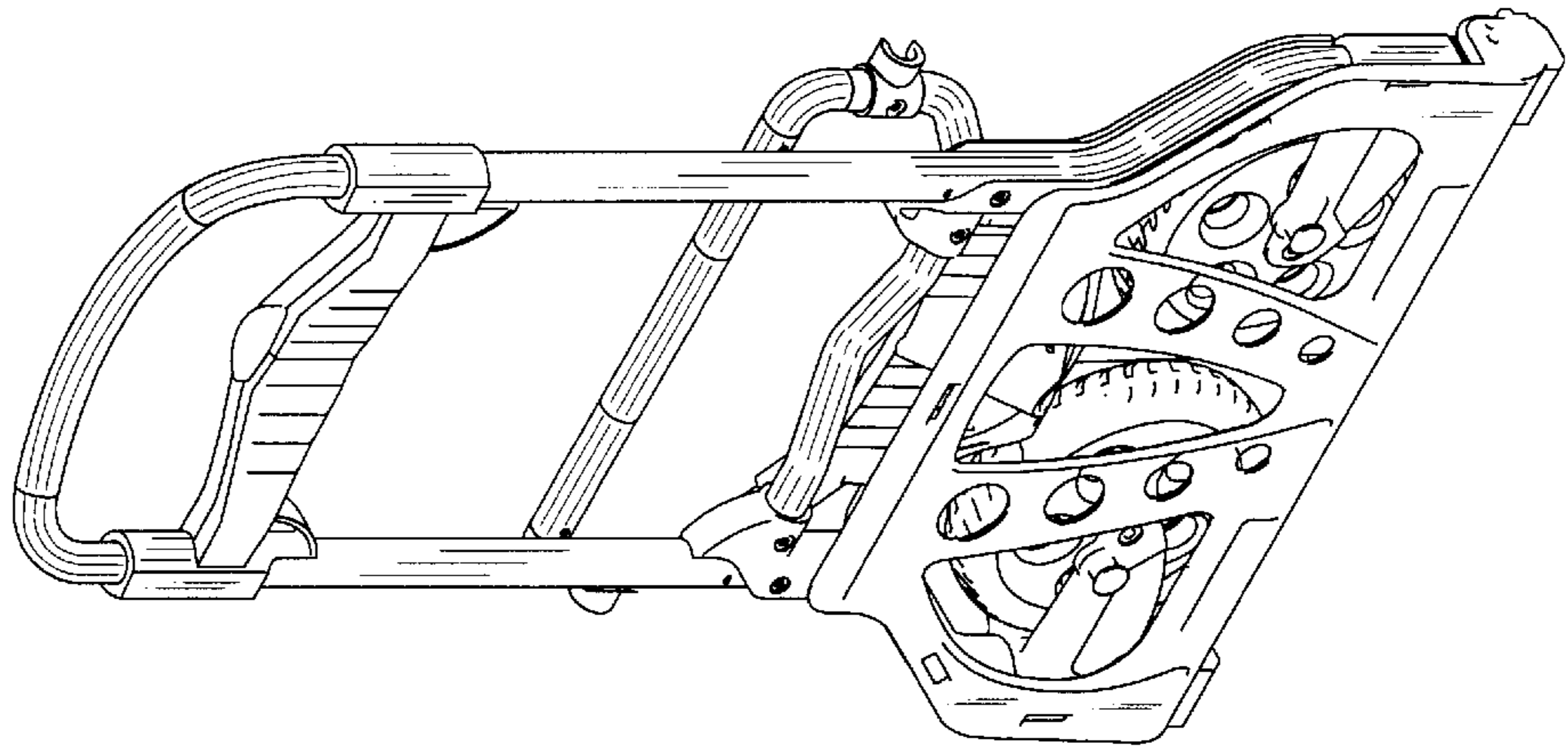
***Fig. 10***



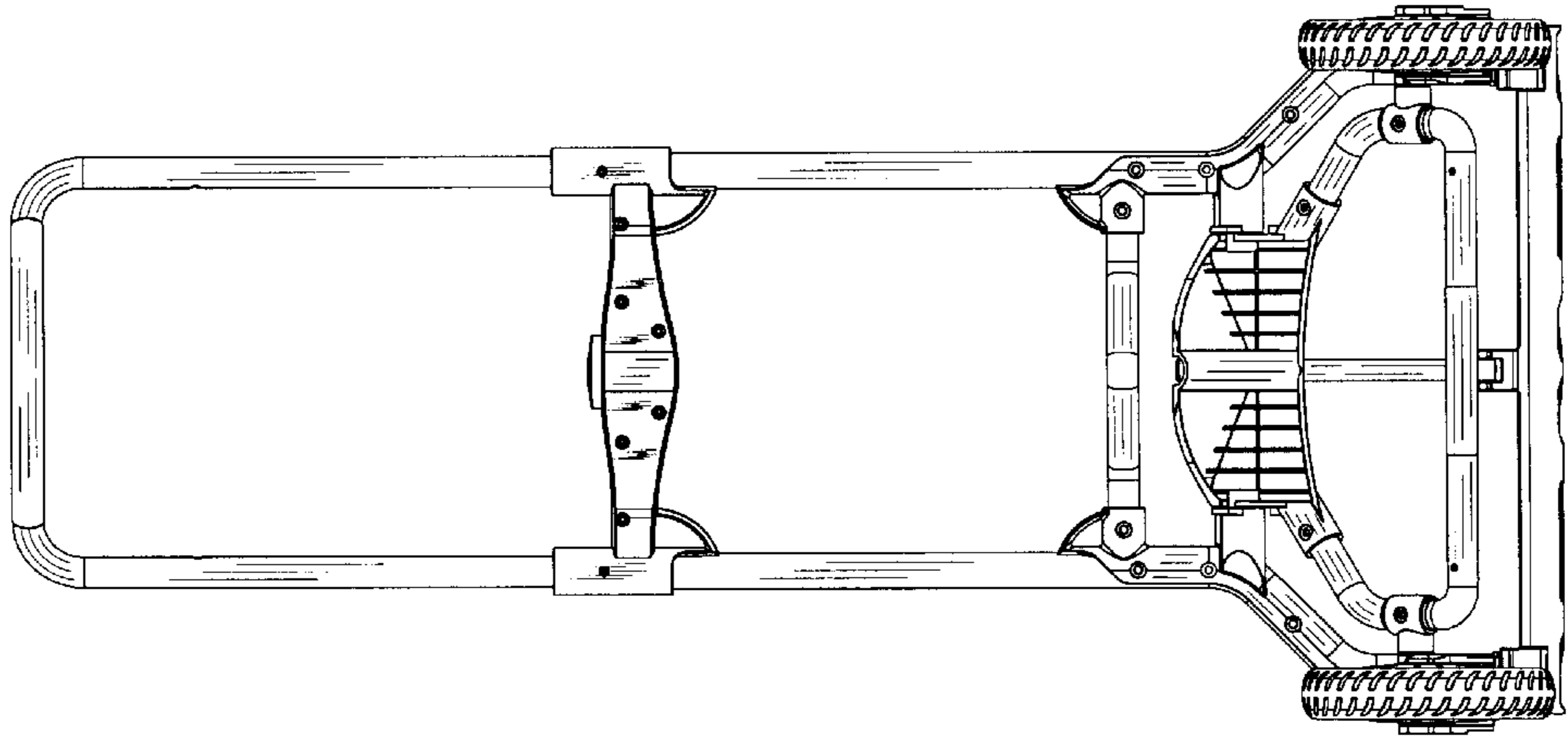
***Fig. 12***



***Fig. 11***



**Fig. 14**



**Fig. 13**

