



US00D485036S

(12) **United States Design Patent**  
**Florkey et al.**

(10) **Patent No.:** **US D485,036 S**

(45) **Date of Patent:** **\*\* Jan. 6, 2004**

(54) **EXTENDED ISLAND MERCHANDISER BASE**

D453,822 S 2/2002 Meeks et al.

(75) Inventors: **Edward J. Florkey**, Vandalia, OH  
(US); **Robert T. Wood**, Tipp City, OH  
(US)

\* cited by examiner

*Primary Examiner*—Kay H. Chin

(74) *Attorney, Agent, or Firm*—Baker Botts L.L.P.

(73) Assignee: **Henny Penny Corporation**, Eaton, OH  
(US)

(57) **CLAIM**

(\*\*) Term: **14 Years**

The ornamental design for an extended island merchandiser base, as shown and described.

(21) Appl. No.: **29/155,637**

**DESCRIPTION**

(22) Filed: **Feb. 15, 2002**

(51) **LOC (7) Cl.** ..... **12-02**

(52) **U.S. Cl.** ..... **D34/12**

(58) **Field of Search** ..... D34/12-27; D6/471;  
280/79.2, 47.34, 651, 655, 79.11, 79.3;  
211/133.1, 126.2, 181.1, 128.1

FIG. 1 is a top plan view of an extended island merchandiser base showing our new design;

FIG. 2 is a front elevation view thereof;

FIG. 3 is a side elevation view thereof, the opposite side elevation view being a mirror image of that shown;

FIG. 4 is a front elevation view thereof with the shelves offset from each other;

FIG. 5 is a side elevation view of FIG. 4;

FIG. 6 is a top perspective view thereof;

FIG. 7 is a perspective view of a second embodiment of the extended island merchandiser base in which trim is made of wood;

FIG. 8 is another perspective view thereof; and,

FIG. 9 is a bottom plan view thereof.

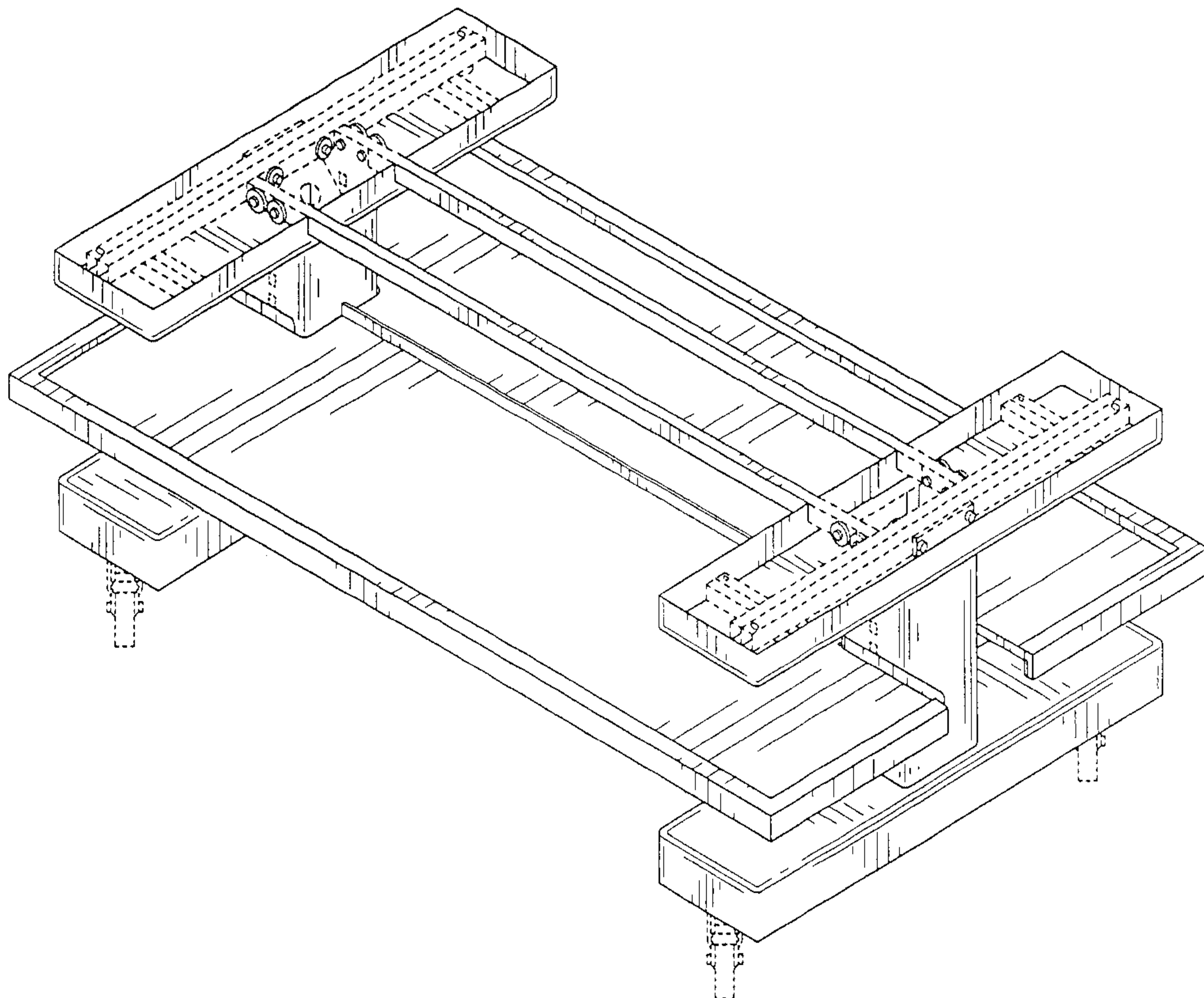
The broken line showing of an extended island merchandiser in FIG. 8 and the broken line showing of other portions of the extended island merchandiser base are for illustrative purposes only and forms no part of the claimed design.

(56) **References Cited**

**U.S. PATENT DOCUMENTS**

4,074,108	A	2/1978	King	
4,605,840	A	8/1986	Koopman	
D335,732	S	5/1993	King	
5,451,744	A	9/1995	Koopman et al.	
5,460,394	A	* 10/1995	Novi	280/79.2
D435,096	S	12/2000	Meeks et al.	
D440,021	S	* 4/2001	Polidoros	D34/17
6,259,065	B1	7/2001	Hohler et al.	

**1 Claim, 7 Drawing Sheets**



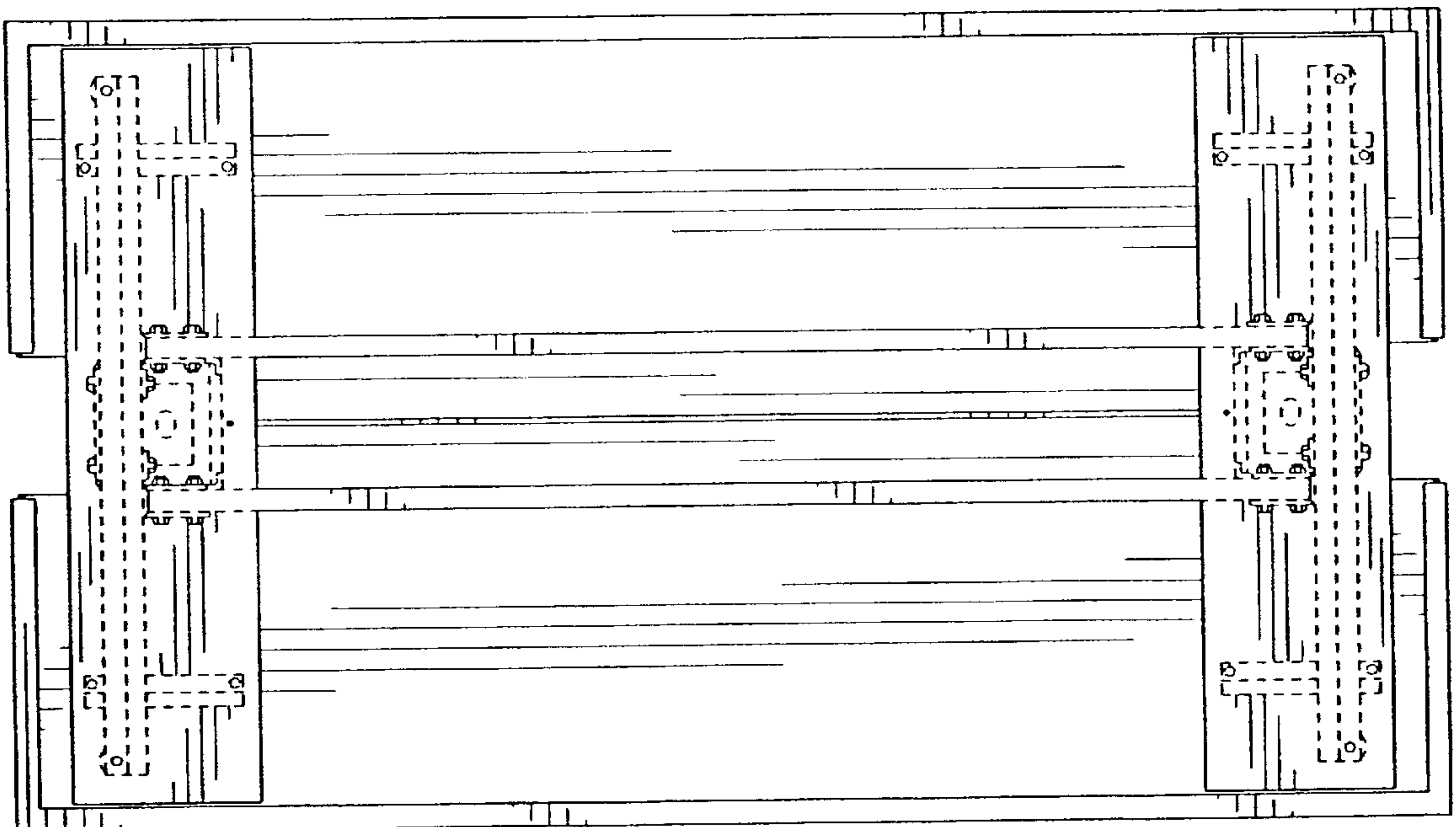


FIG. 1

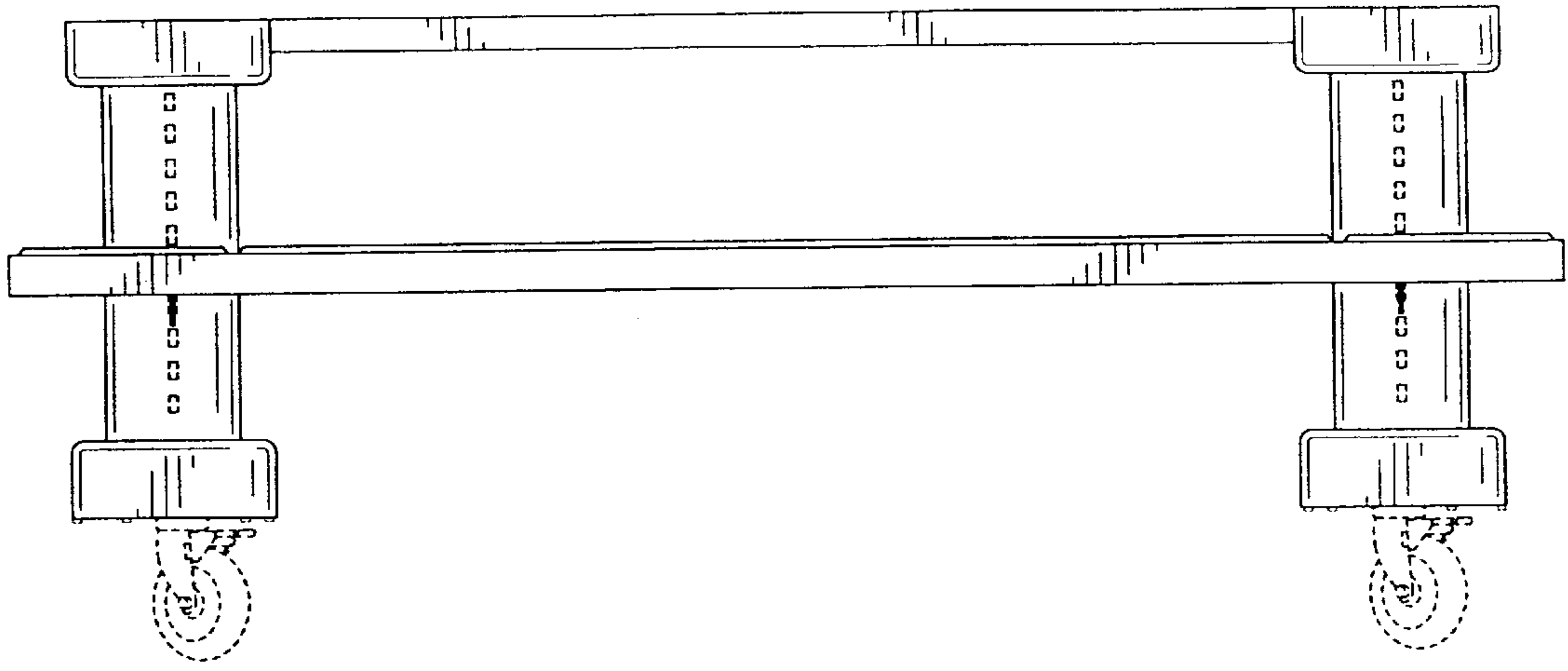


FIG. 2

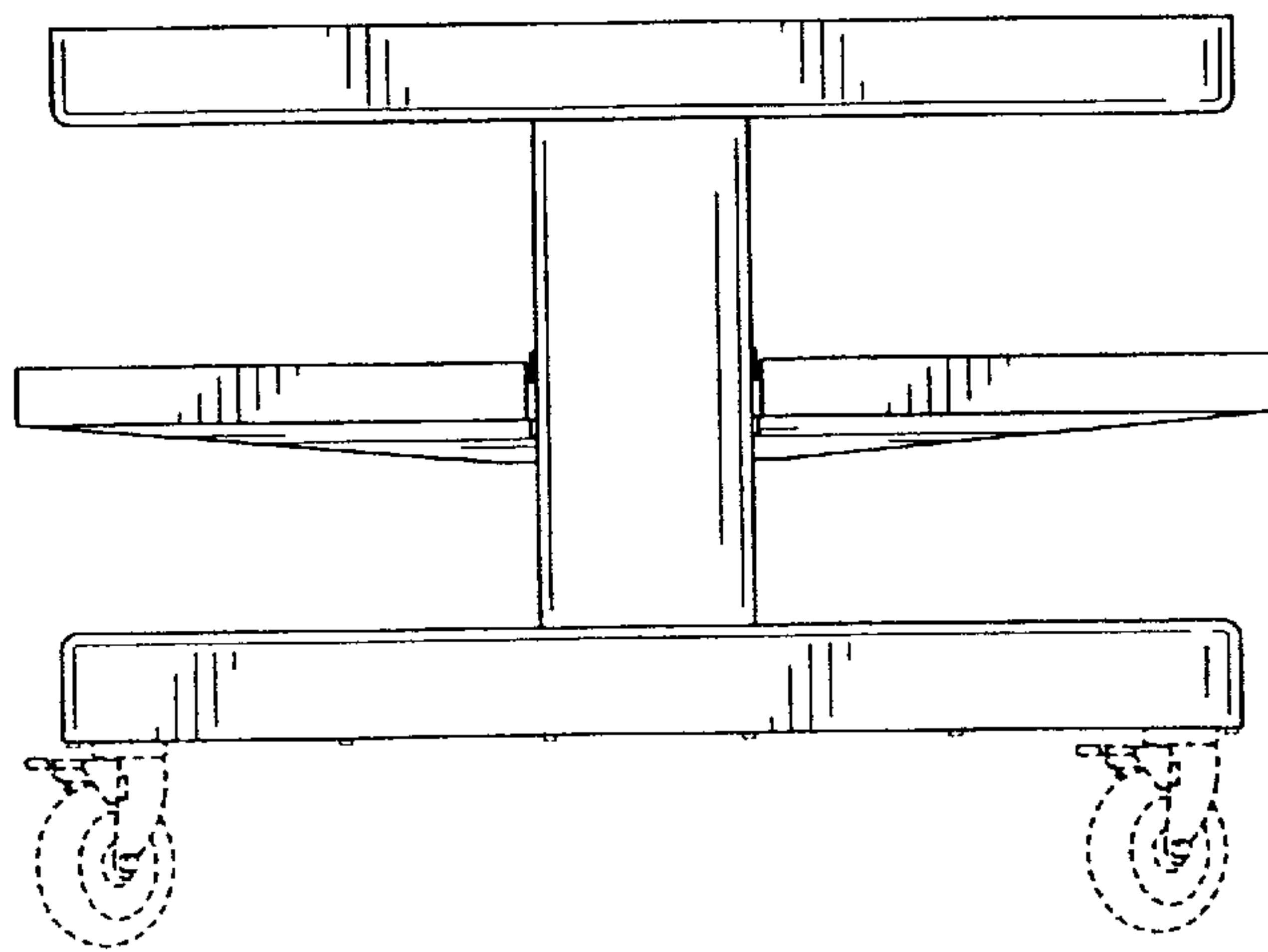


FIG. 3

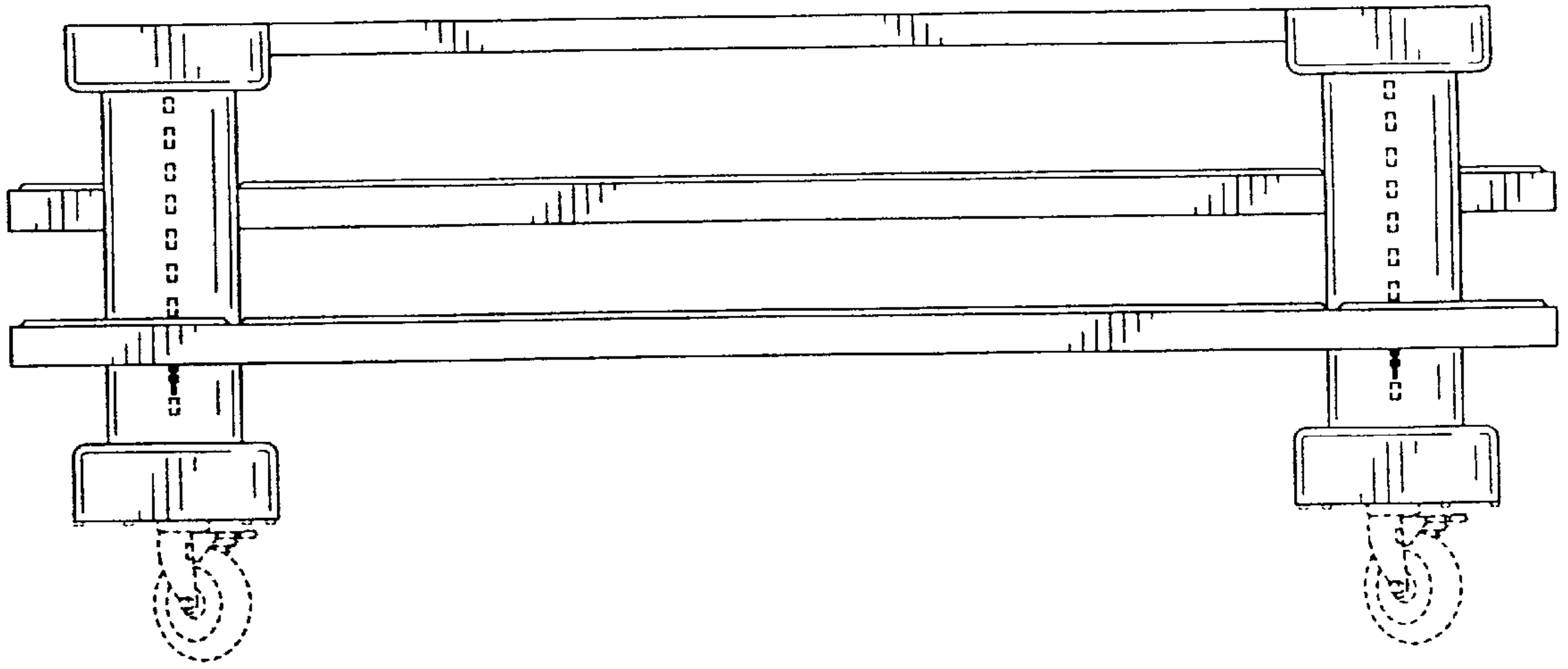


FIG. 4

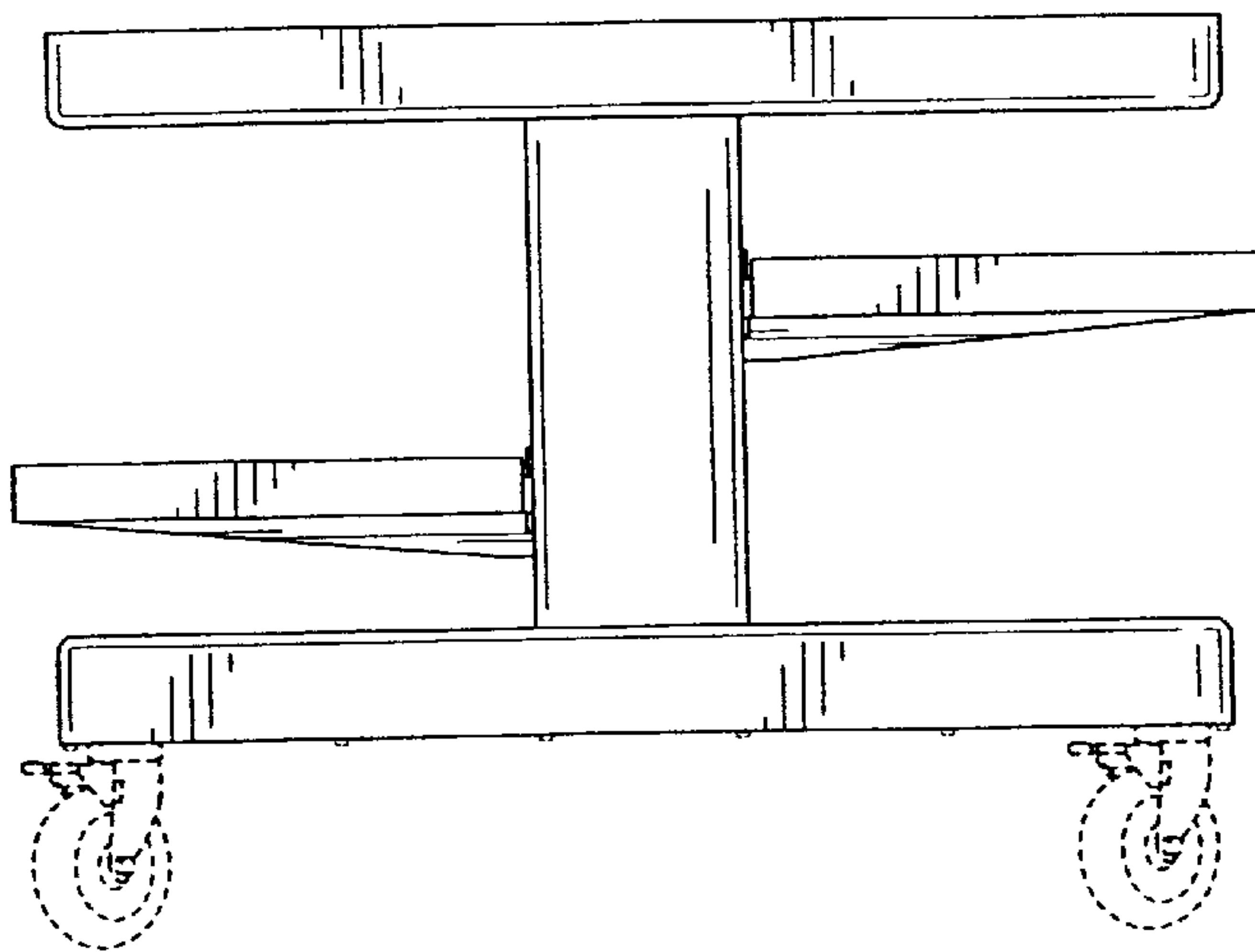


FIG. 5



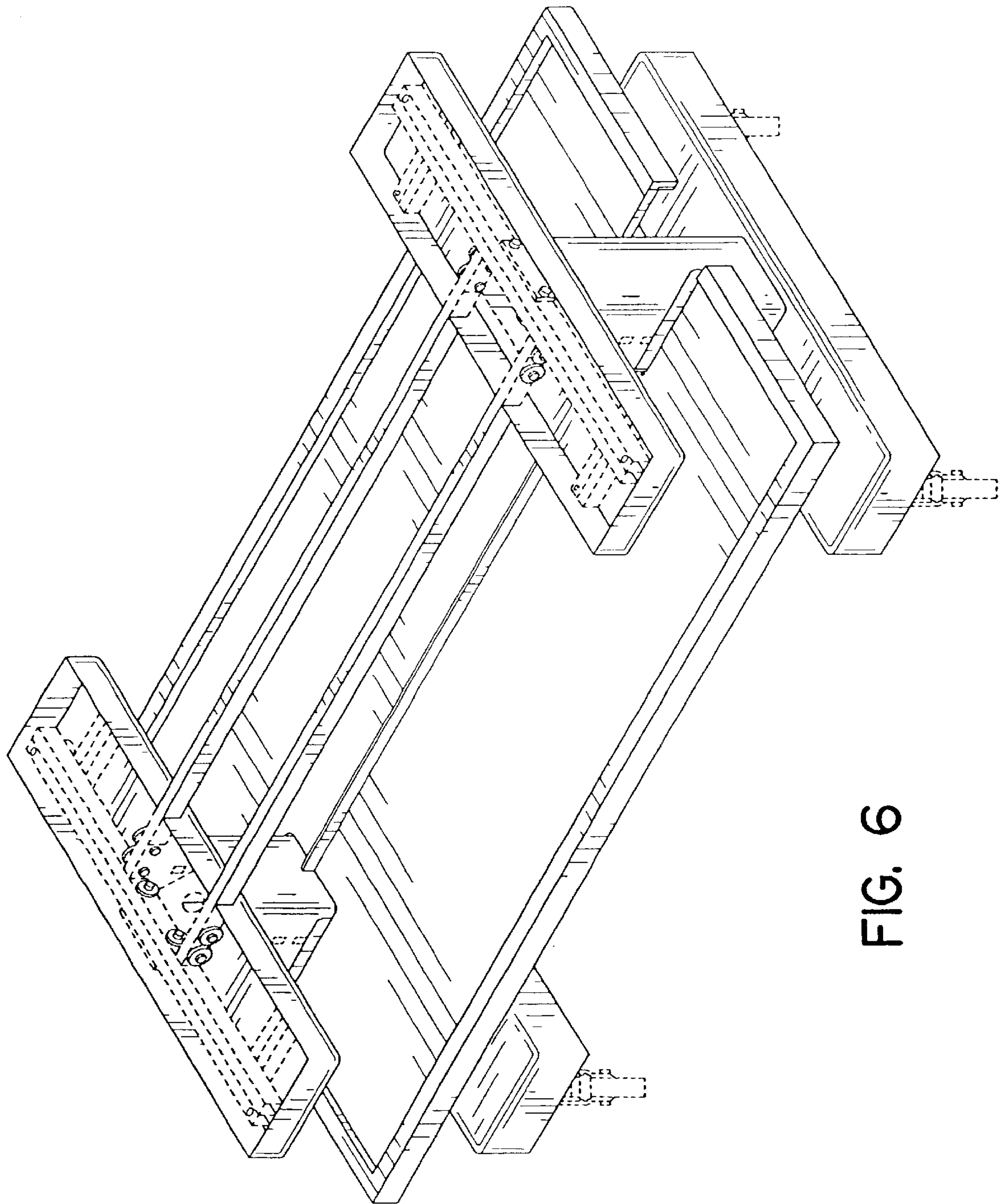


FIG. 6

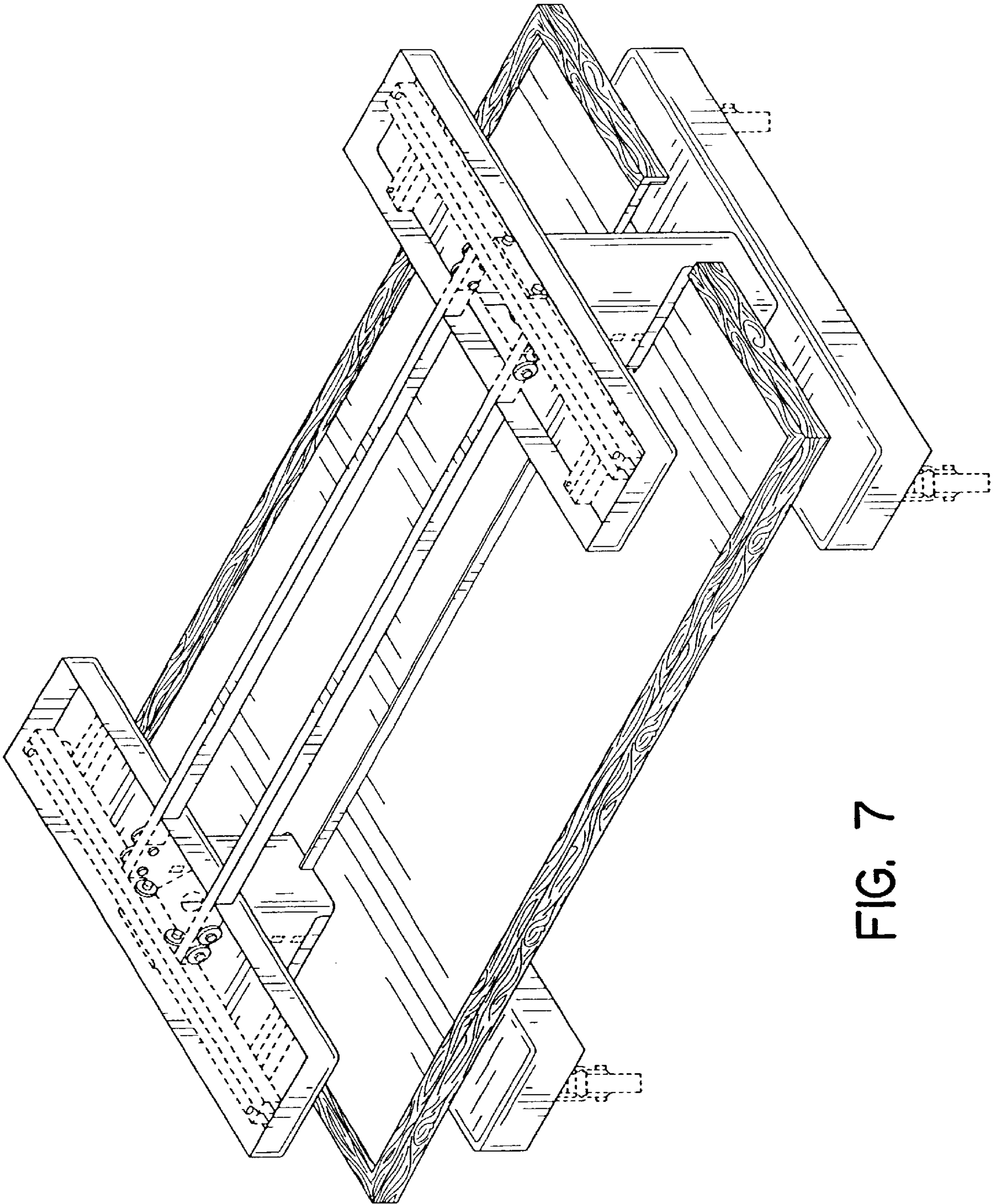


FIG. 7

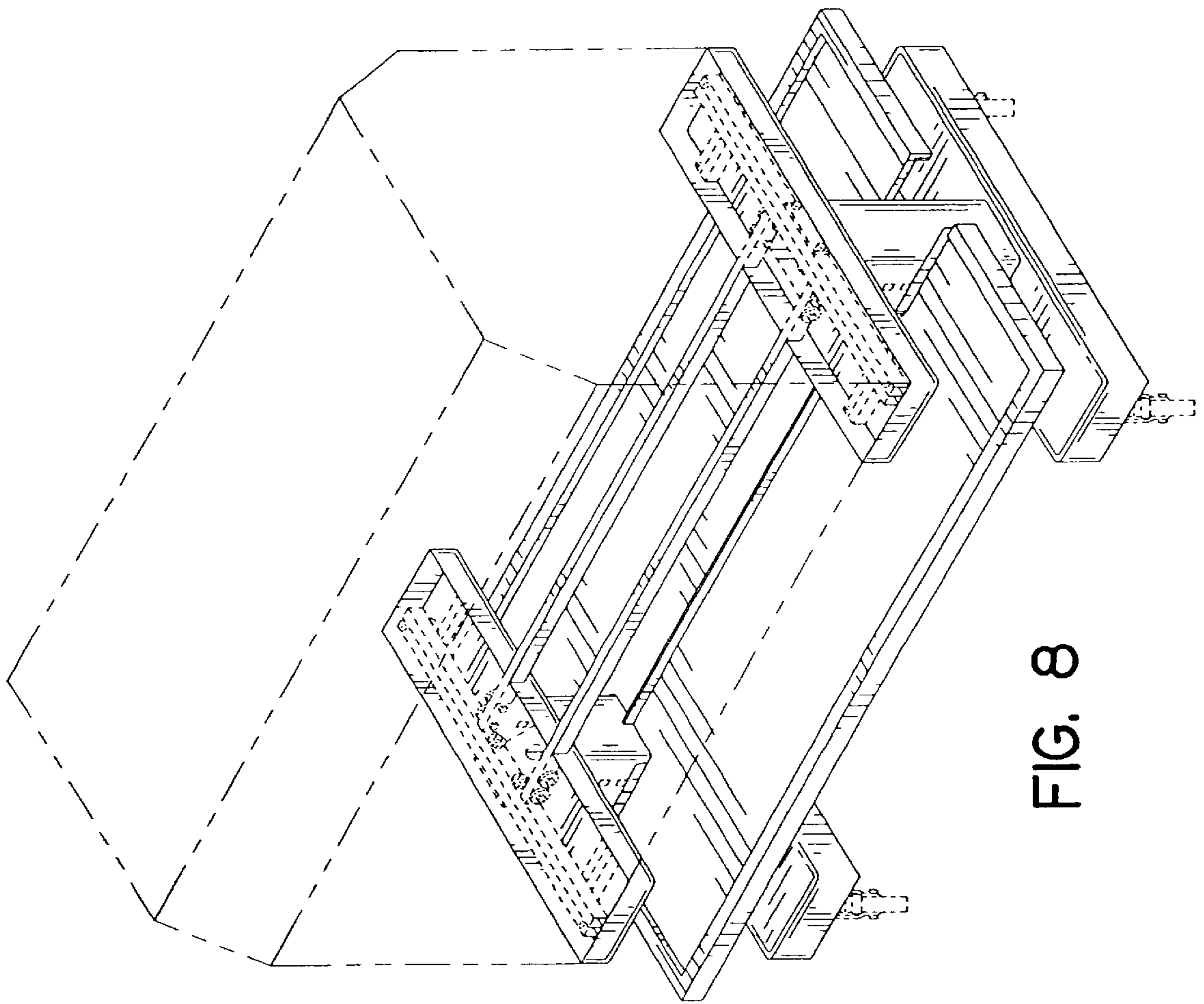


FIG. 8

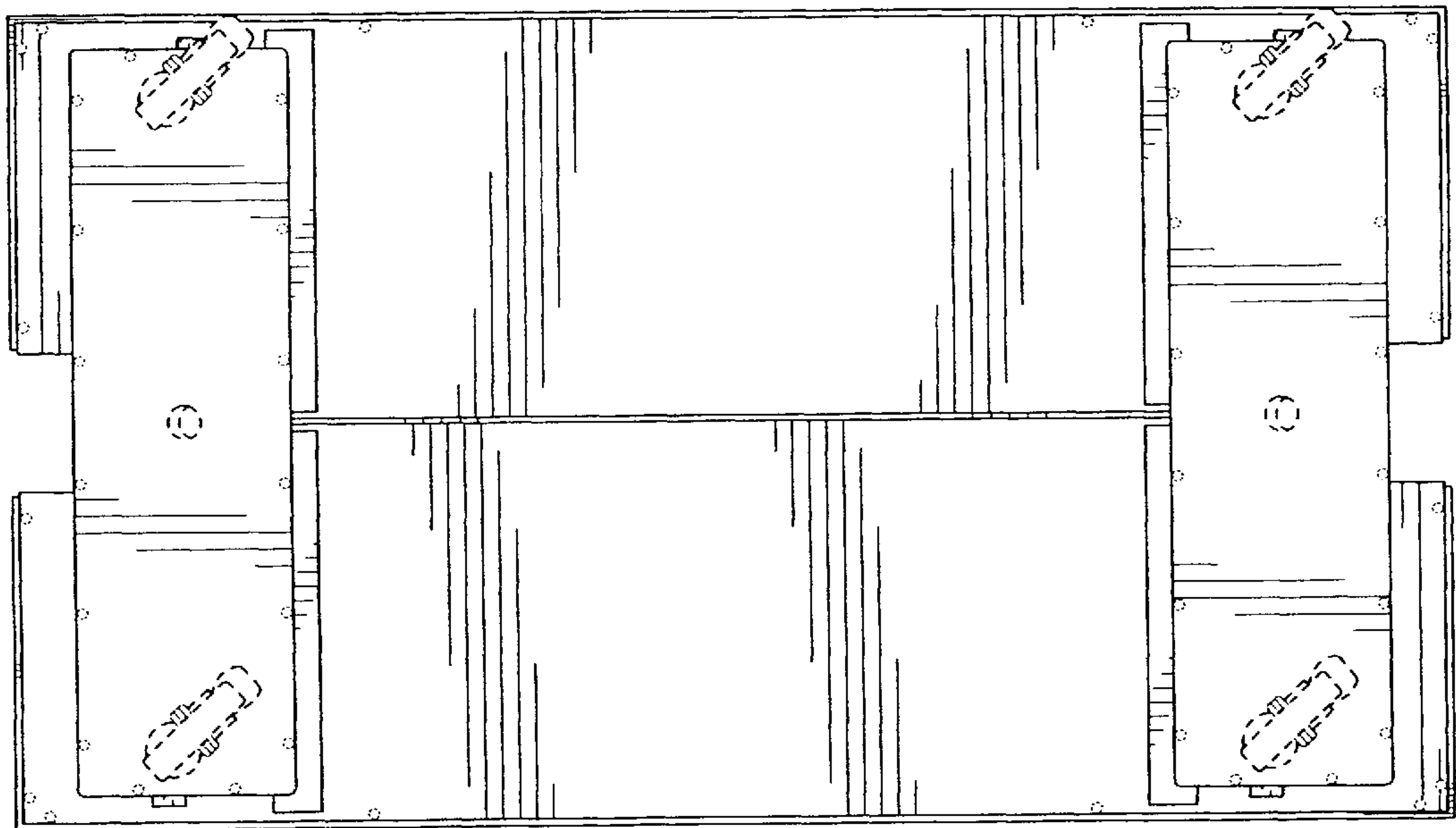


FIG. 9