



US00D485032S

(12) **United States Design Patent**  
**Anderson et al.**

(10) **Patent No.:** **US D485,032 S**

(45) **Date of Patent:** **\*\* Jan. 6, 2004**

(54) **SNOW BRUSH WITH SCRAPER, ICE  
CHISEL AND SQUEEGEE**

(75) **Inventors:** **Torrence Anderson**, Overland Park, KS  
(US); **Lyle Rosine**, Batavia, IL (US)

(73) **Assignee:** **Suncast Corporation**, Batavia, IL (US)

(\*\*) **Term:** **14 Years**

(21) **Appl. No.:** **29/183,847**

(22) **Filed:** **Jun. 16, 2003**

(51) **LOC (7) Cl.** ..... **07-05**

(52) **U.S. Cl.** ..... **D32/42; D32/49**

(58) **Field of Search** ..... D4/118, 137; 15/143.1,  
15/105, 111, 117, 118, 121, 144.3, 144.4,  
236.01, 236.02, 236.05, 236.06, 236.08;  
D32/40, 42, 46, 49

(56) **References Cited**

**U.S. PATENT DOCUMENTS**

- D221,609 S \* 8/1971 Kieves ..... D4/137
- D242,748 S \* 12/1976 Graham et al. .... D4/118
- 4,302,862 A \* 12/1981 Machacek et al. .... 15/117

- 4,908,900 A \* 3/1990 McLaughlin et al. .... 15/111
- D318,158 S \* 7/1991 Ediger et al. .... D32/42
- D441,198 S \* 5/2001 Primeau ..... D4/118
- 6,243,906 B1 \* 6/2001 Holliday et al. .... 15/111
- D451,287 S \* 12/2001 Ingram ..... D4/118

\* cited by examiner

*Primary Examiner*—Alan P. Douglas

*Assistant Examiner*—Lavone D. Tabor

(74) *Attorney, Agent, or Firm*—McHale & Slavin, P.A.

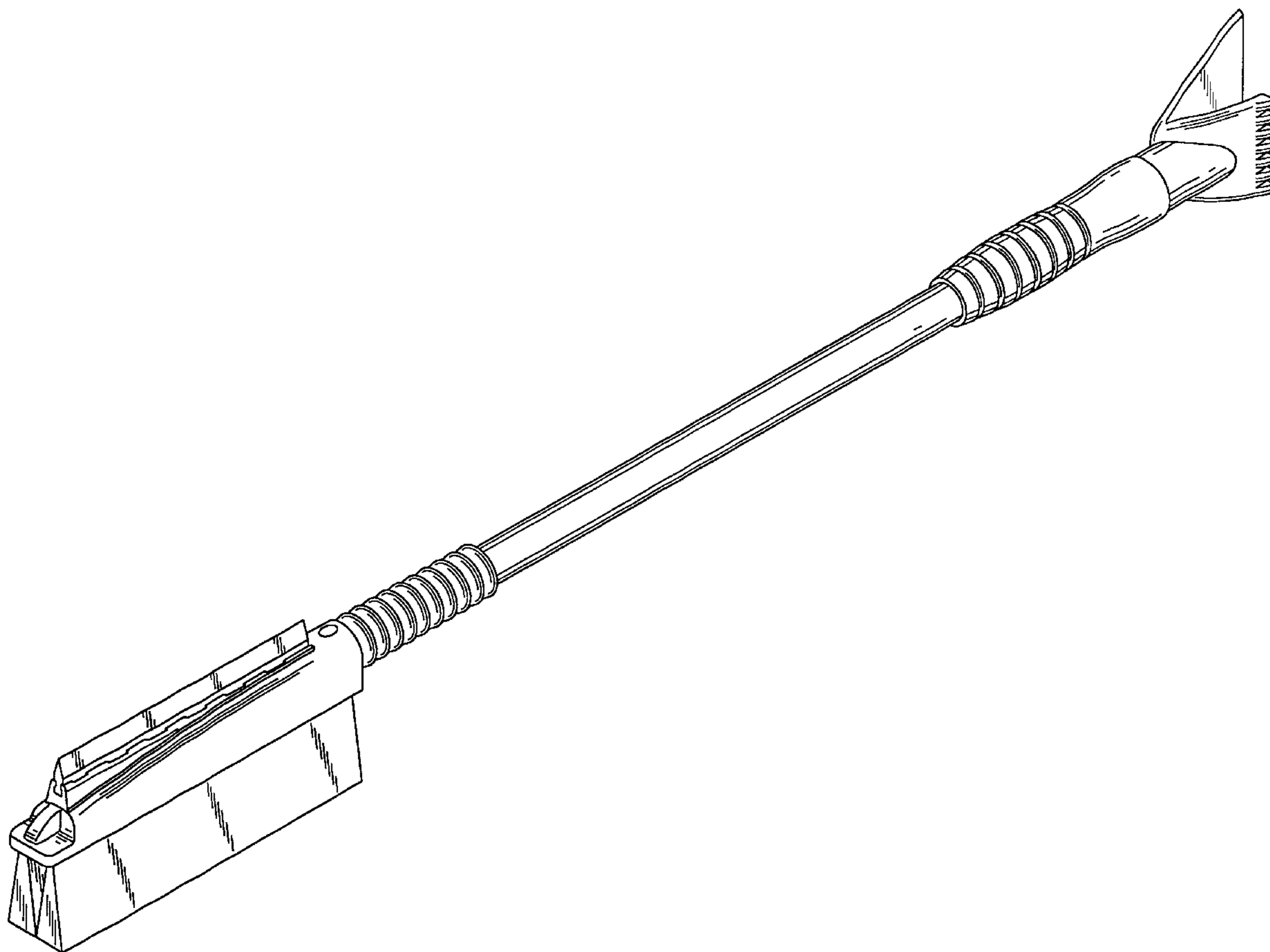
(57) **CLAIM**

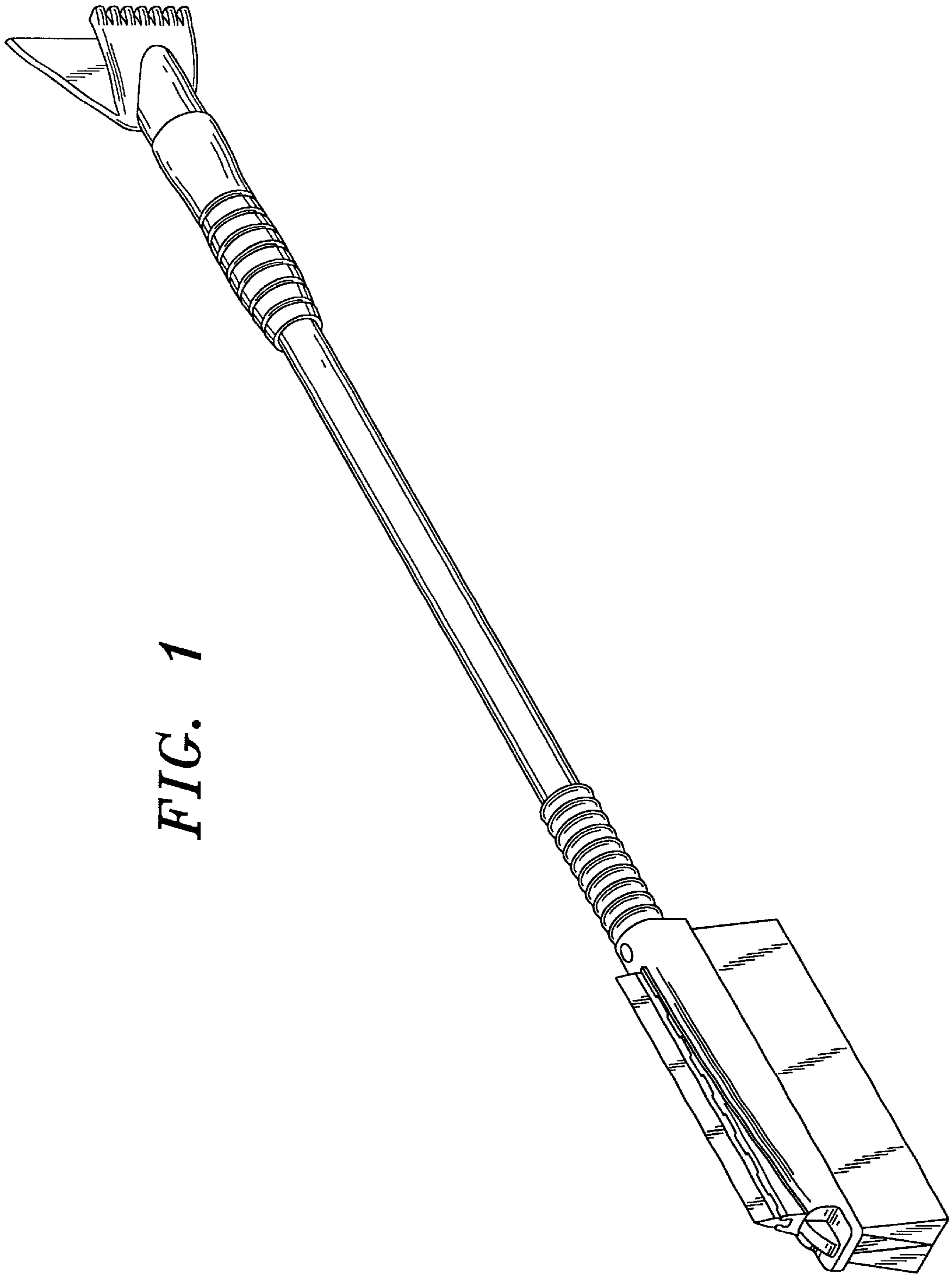
The ornamental design for a snow brush with scraper, ice chisel and squeegee, as shown and described.

**DESCRIPTION**

FIG. 1 is a perspective view of the snow brush with scraper, ice chisel and squeegee of the instant invention;  
 FIG. 2 is a right side view thereof;  
 FIG. 3 is a left side view thereof;  
 FIG. 4 is a top plan view thereof;  
 FIG. 5 is a bottom plan view thereof;  
 FIG. 6 is a front view thereof; and,  
 FIG. 7 is a back view thereof.

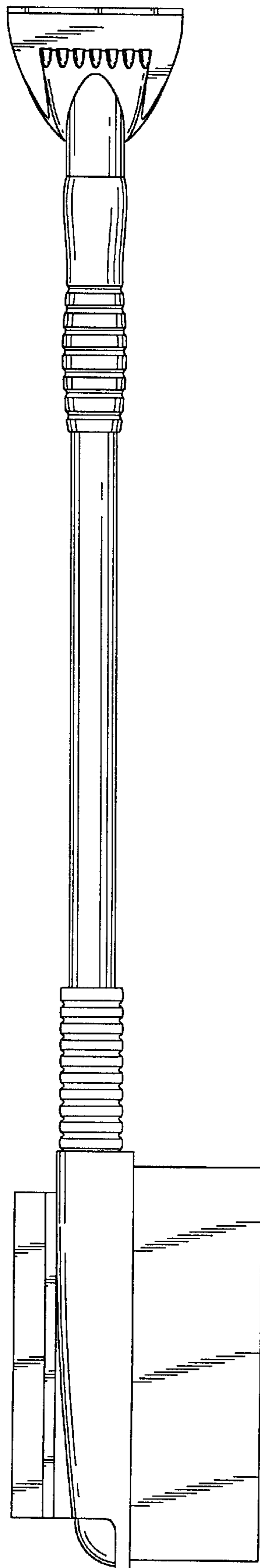
**1 Claim, 4 Drawing Sheets**



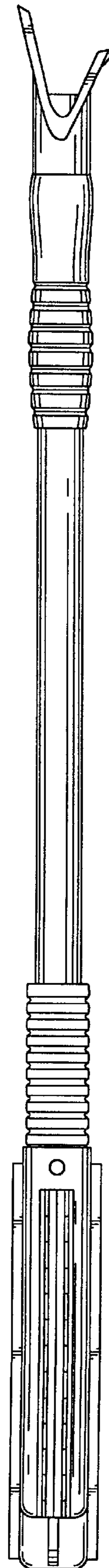


*FIG. 1*

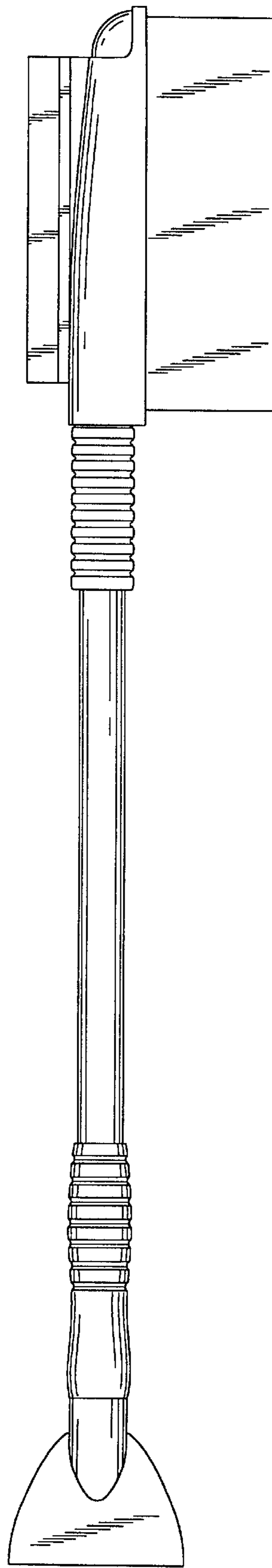
*FIG. 2*



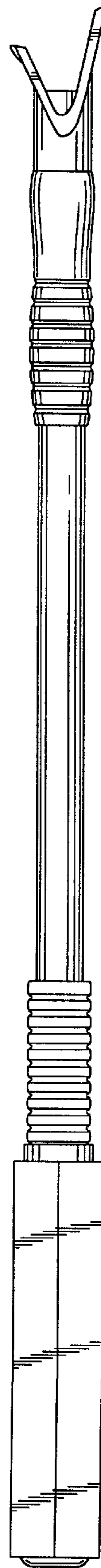
*FIG. 3*



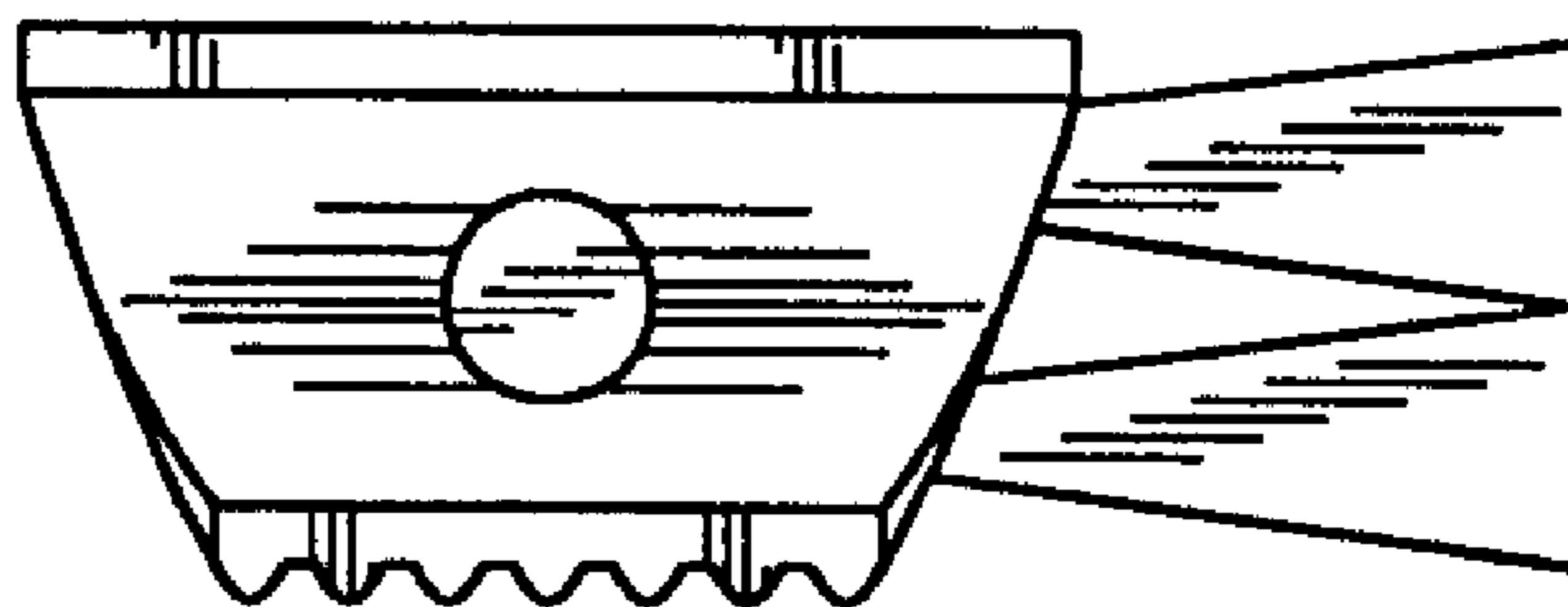
*FIG. 4*



*FIG. 5*



**FIG. 7**



**FIG. 6**

