



US00D485031S

(12) **United States Design Patent**
Anderson et al.

(10) **Patent No.: US D485,031 S**

(45) **Date of Patent: ** Jan. 6, 2004**

(54) **TELESCOPING SNOW BRUSH WITH
SCRAPER, ICE CHISEL AND SQUEEGEE**

D453,075 S * 1/2002 Liu D4/118
6,481,041 B1 * 11/2002 Ingram 15/111

(75) Inventors: **Torrence Anderson**, Overland Park, KS
(US); **Lyle Rosine**, Batavia, IL (US)

FOREIGN PATENT DOCUMENTS

WO WO 89/10721 * 11/1989 A47L/1/05

(73) Assignee: **Suncast Corporation**, Batavia, IL (US)

* cited by examiner

(**) Term: **14 Years**

Primary Examiner—Alan P. Douglas

Assistant Examiner—Lavone D. Tabor

(21) Appl. No.: **29/183,845**

(74) *Attorney, Agent, or Firm*—McHale & Slavin, P.A.

(22) Filed: **Jun. 16, 2003**

(57) **CLAIM**

(51) **LOC (7) Cl. 07-05**

The ornamental design for a telescoping snow brush with
scraper, ice chisel and squeegee, as shown and described.

(52) **U.S. Cl. D32/42; D32/49**

DESCRIPTION

(58) **Field of Search** D4/118, 137; 15/143.1,
15/105, 111, 117, 118, 121, 144.3, 144.4,
236.01, 236.02, 236.05, 236.06, 236.08;
D32/40, 42, 46, 49

FIG. 1 is a perspective view of the telescoping snow brush
with scraper, ice chisel and squeegee of the instant inven-
tion;

(56) **References Cited**

U.S. PATENT DOCUMENTS

3,789,451 A * 2/1974 Laitner 15/118
4,302,862 A * 12/1981 Machacek et al. 15/117
4,908,900 A * 3/1990 McLaughlin et al. 15/111
D318,158 S * 7/1991 Ediger et al. D32/42
D345,639 S * 3/1994 Pollak et al. D32/42

FIG. 2 is a right side view thereof;

FIG. 3 is a left side view thereof;

FIG. 4 is a top plan view thereof;

FIG. 5 is a bottom plan view thereof;

FIG. 6 is a front view thereof; and,

FIG. 7 is a back view thereof.

1 Claim, 4 Drawing Sheets

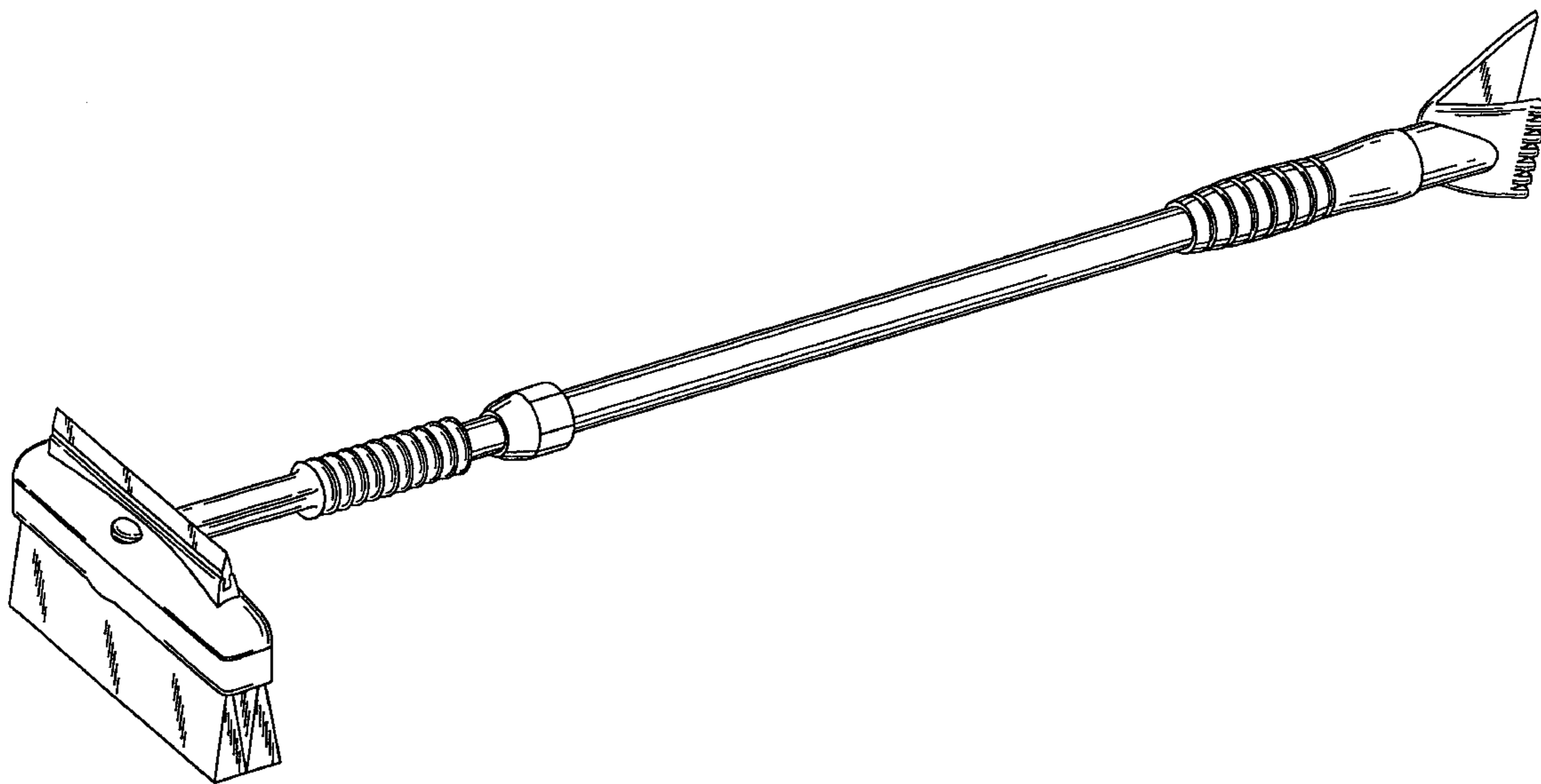


FIG. 1

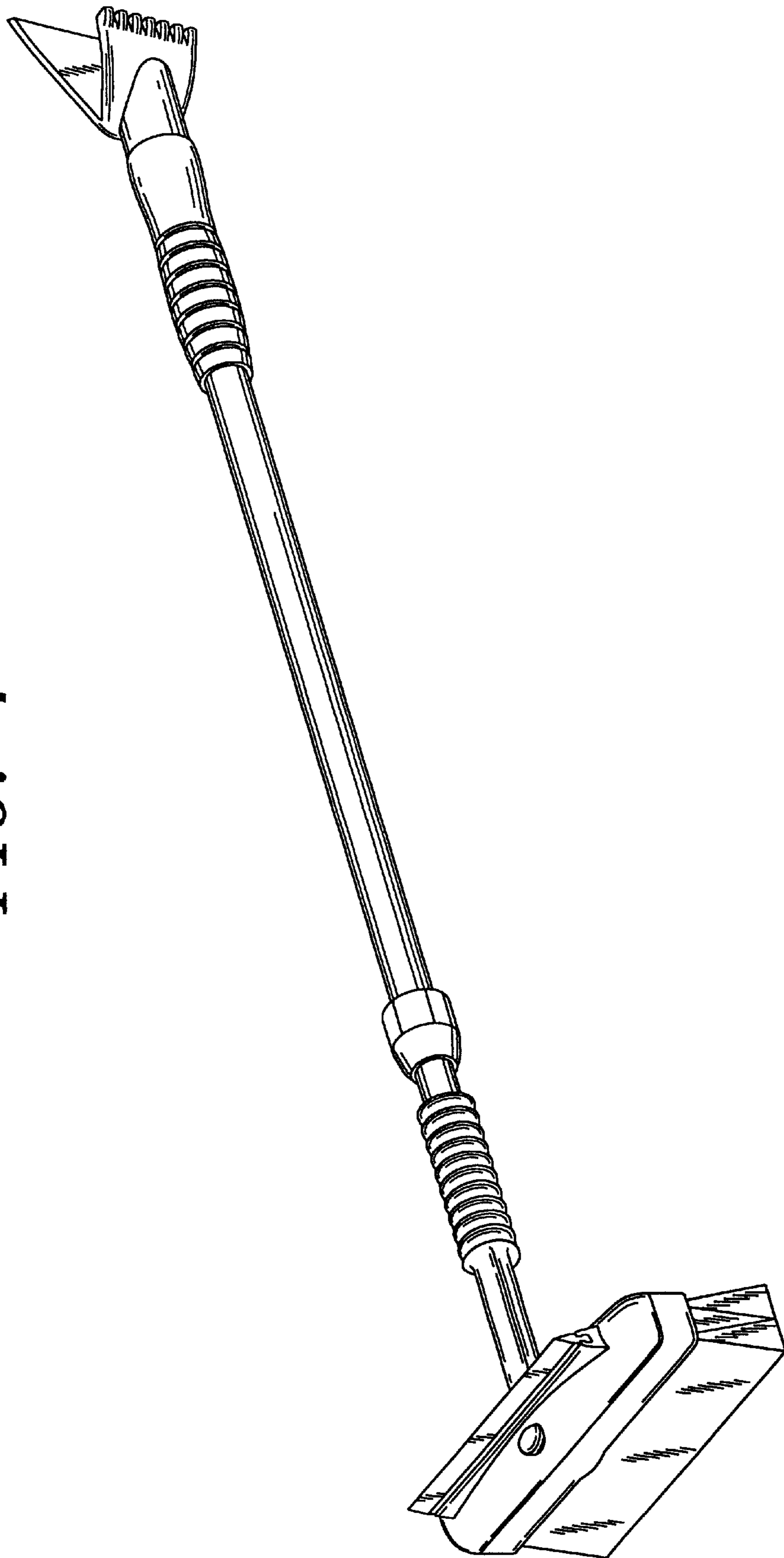


FIG. 2

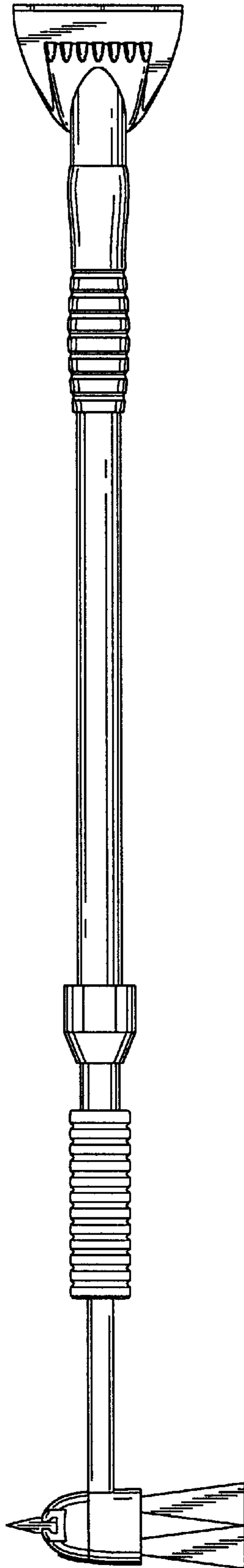


FIG. 3

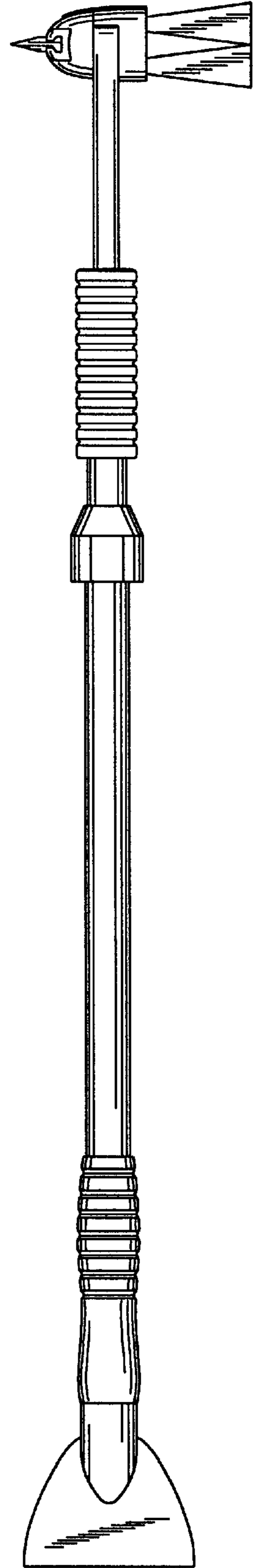


FIG. 4

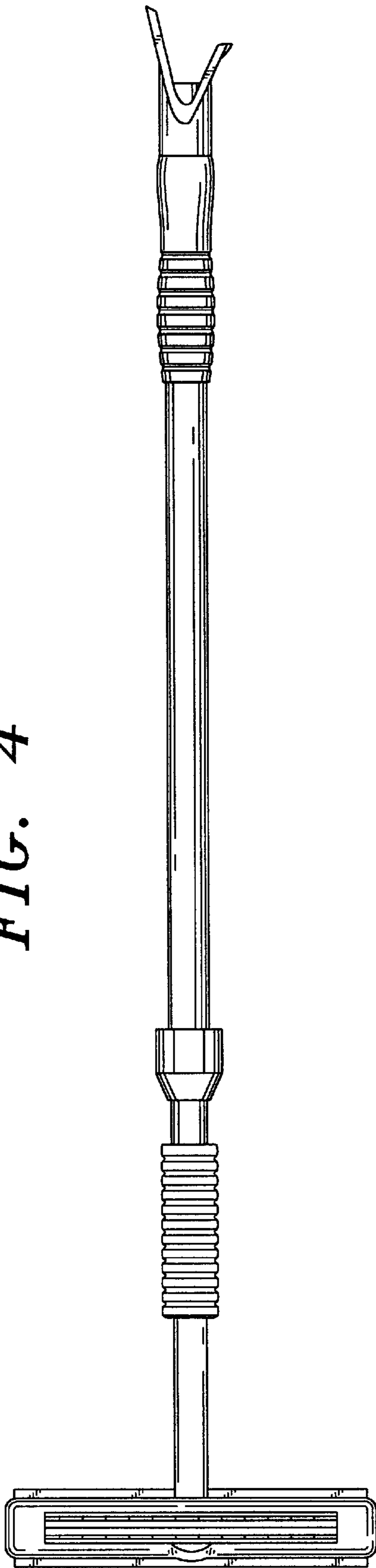


FIG. 5

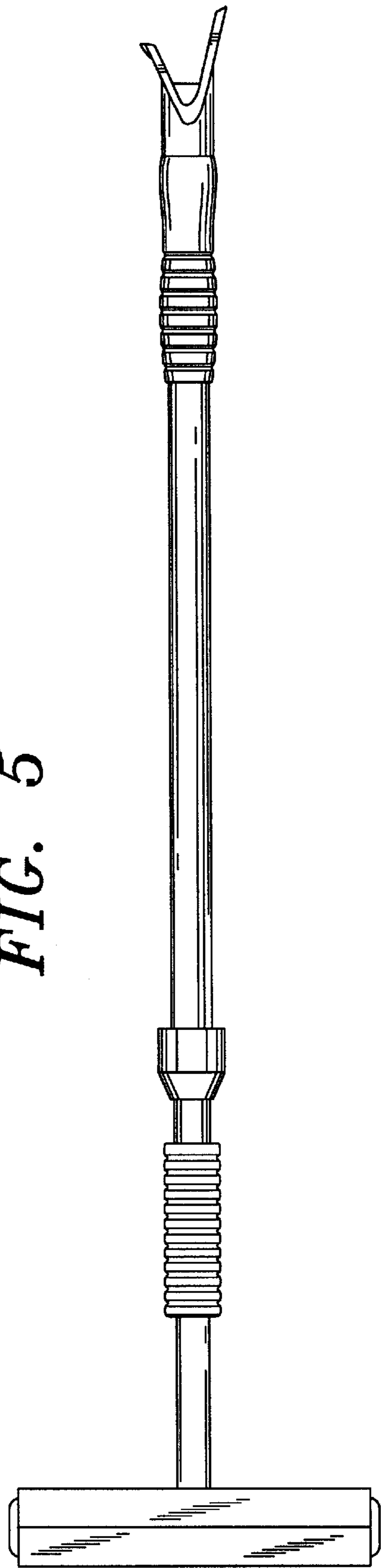


FIG. 7

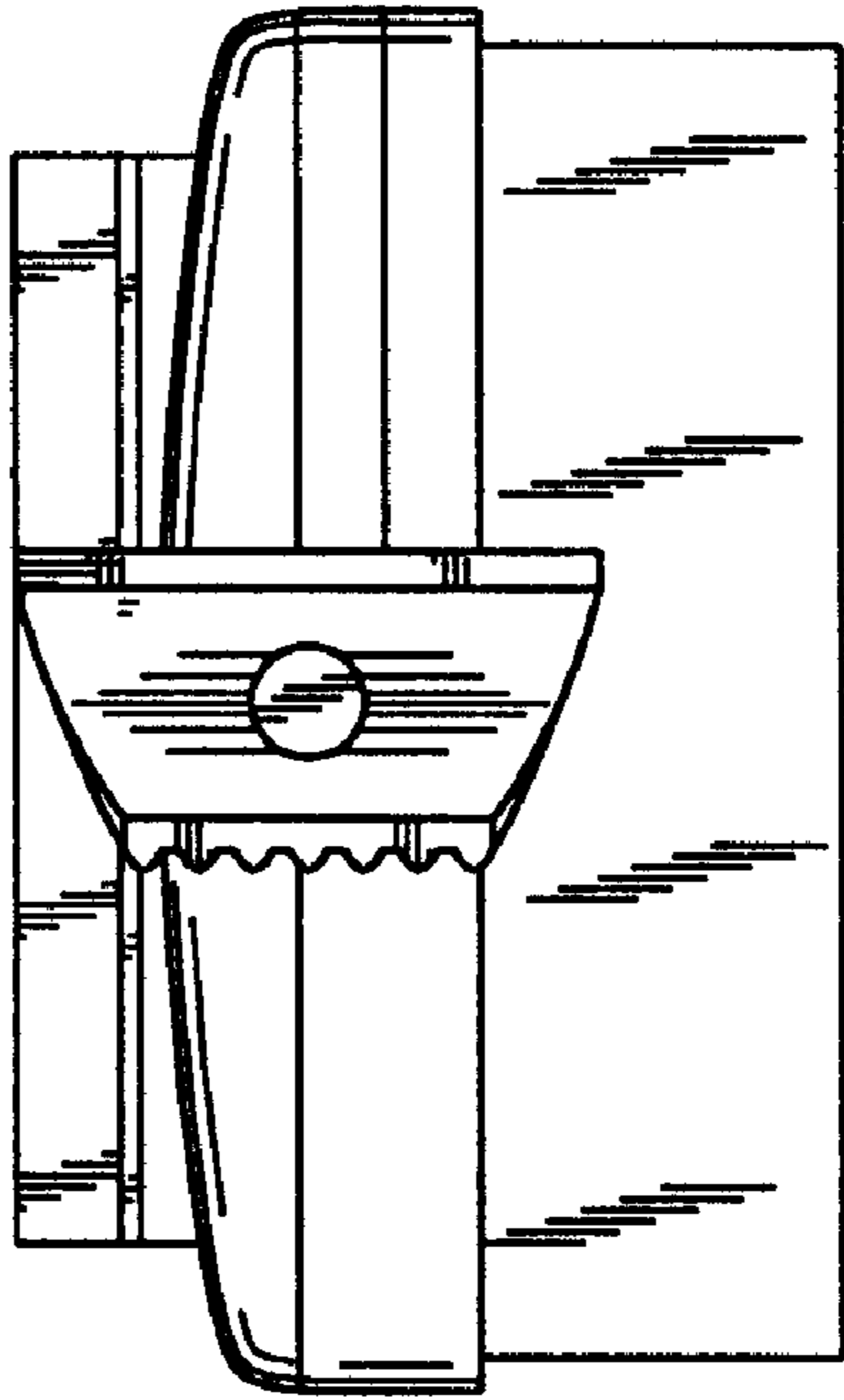


FIG. 6

