



US00D485028S

(12) **United States Design Patent**
Parr et al.

(10) **Patent No.:** **US D485,028 S**

(45) **Date of Patent:** **** Jan. 6, 2004**

(54) **UPPER PORTION OF AN UPRIGHT VACUUM CLEANER**

(75) Inventors: **Richard S. Parr**, Uniontown, OH (US);
William G. Alford, Canton, OH (US);
Darwin T. McKnight, Louisville, OH (US)

(73) Assignee: **The Hoover Company**, North Canton, OH (US)

(**) Term: **14 Years**

(21) Appl. No.: **29/160,359**

(22) Filed: **May 8, 2002**

(51) **LOC (7) Cl.** **15-05**

(52) **U.S. Cl.** **D32/31**

(58) **Field of Search** D32/17-18, 21-24,
D32/31; 15/344, 329, 320-321, 352-353,
327.1-327.7; 55/459.1-459.2, 449, DIG. 3;
95/271

(56) **References Cited**

U.S. PATENT DOCUMENTS

D347,500 S 5/1994 Abe et al. D32/22
D358,913 S 5/1995 Sugiyama et al. D32/22

D416,114 S 11/1999 Mehaffey D32/22
D434,884 S * 12/2000 Hohulin et al. D32/22
D442,344 S 5/2001 Alford et al. D32/22
D452,758 S * 1/2002 Yokoyama et al. D32/22
D462,815 S * 9/2002 Roberts et al. D32/31
D465,075 S * 10/2002 Wright et al. D32/31

* cited by examiner

Primary Examiner—Ruth McInroy

(74) *Attorney, Agent, or Firm*—A. Burgess Lowe; John W. Morrison

(57) **CLAIM**

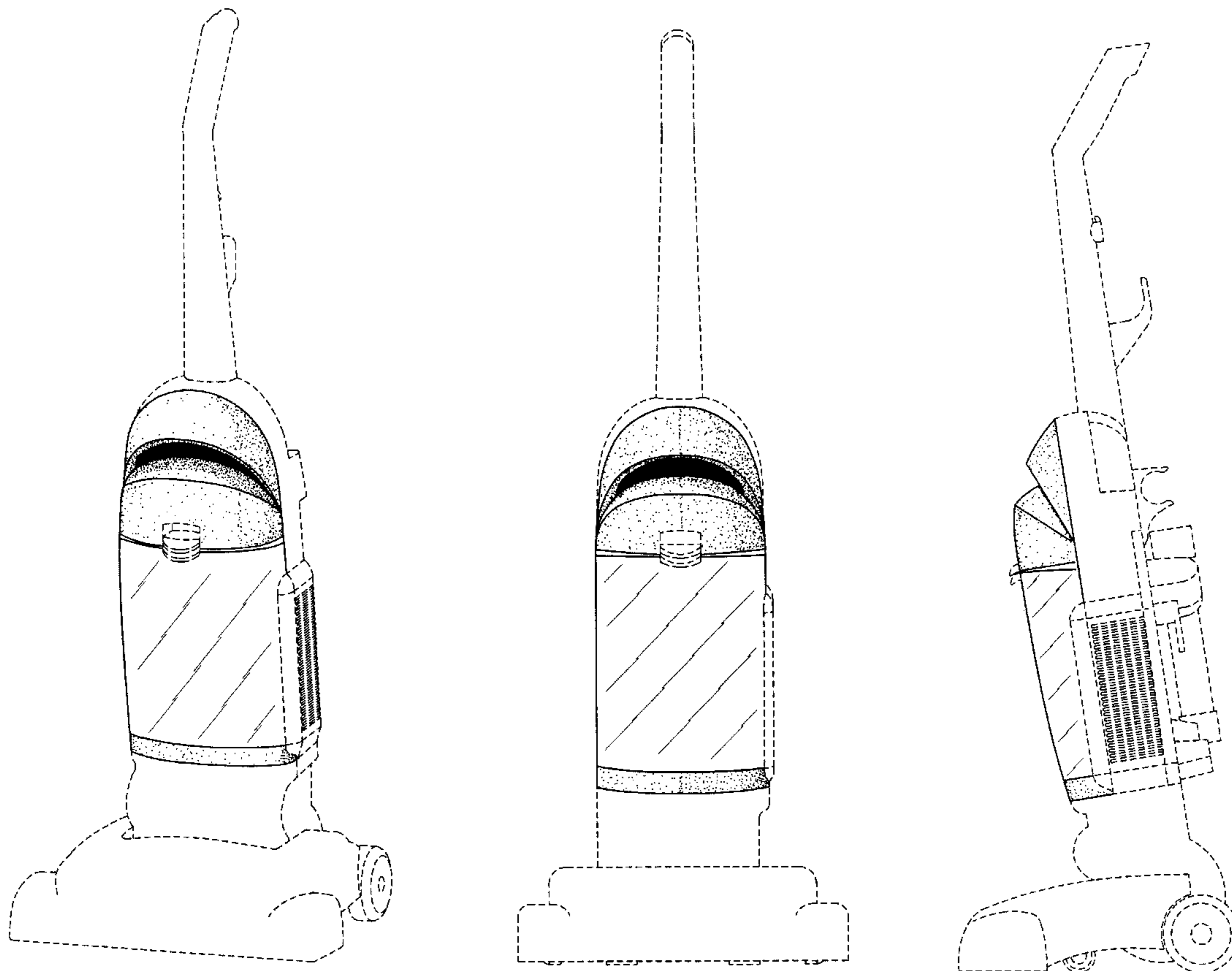
The ornamental design of an upper portion of an upright vacuum cleaner, as shown and described.

DESCRIPTION

FIG. 1 is a top, front perspective view of an upper portion of an upright vacuum cleaner showing our new design; FIG. 2 is a front elevational view thereof; FIG. 3 is a right side elevational view thereof; and, FIG. 4 is a left side elevational view thereof.

In FIGS. 1, 2, 3, and 4 the broken lines showing the upright vacuum and associated details are for illustrative purposes only and form no part of the claimed design.

1 Claim, 4 Drawing Sheets



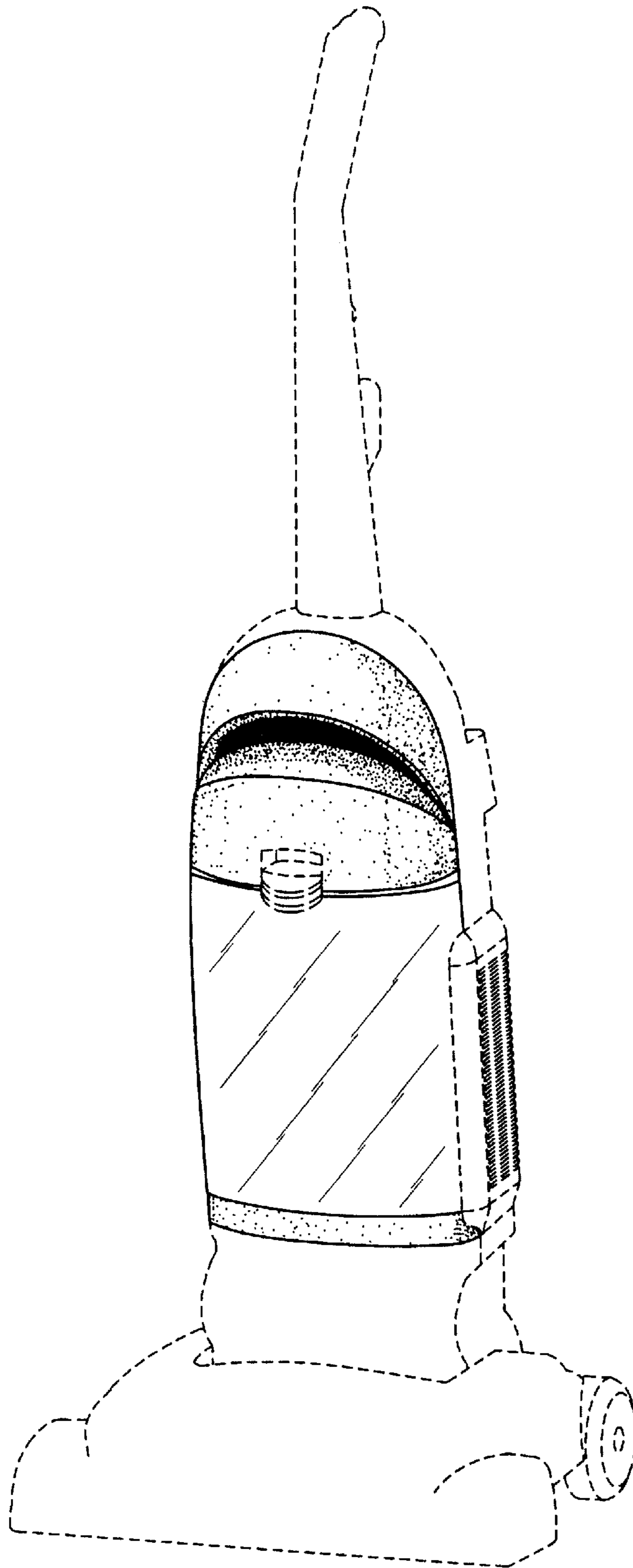


FIG-1

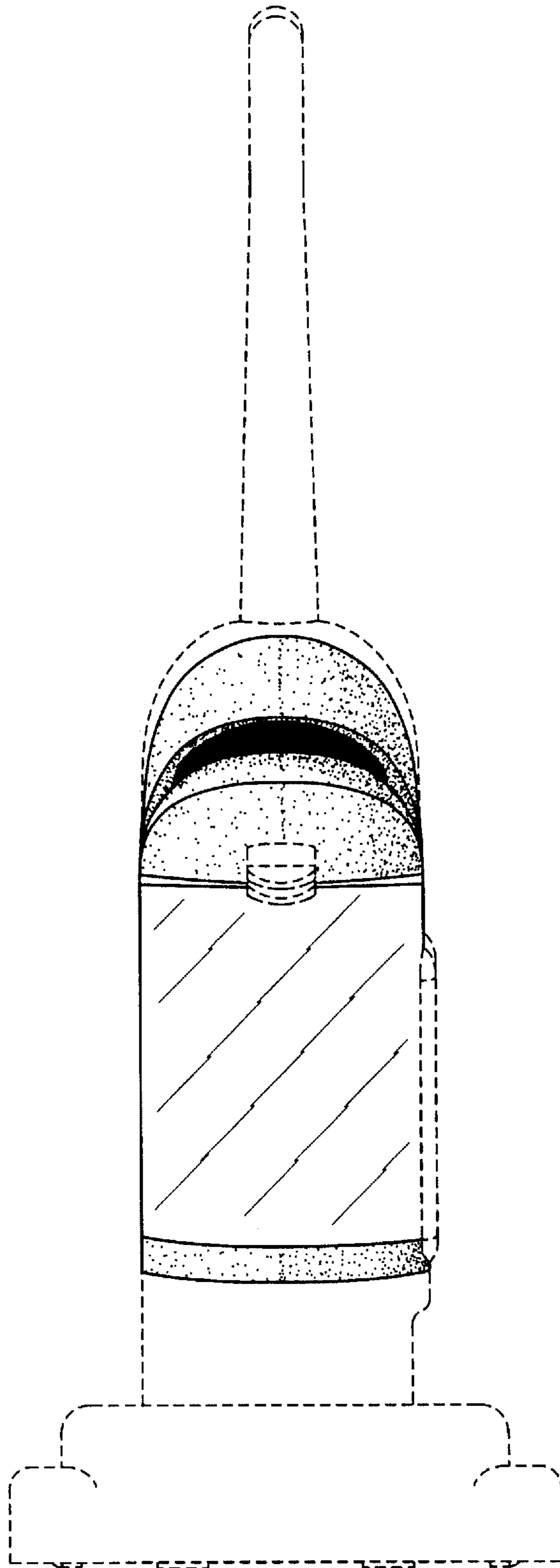


FIG-2

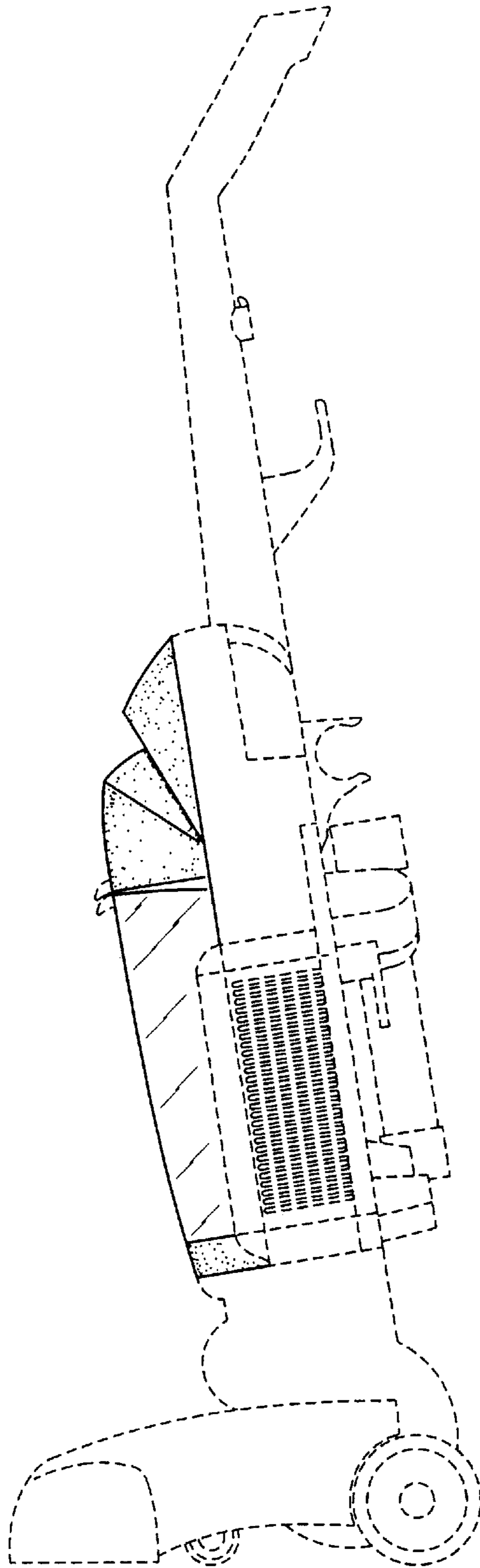


FIG-3

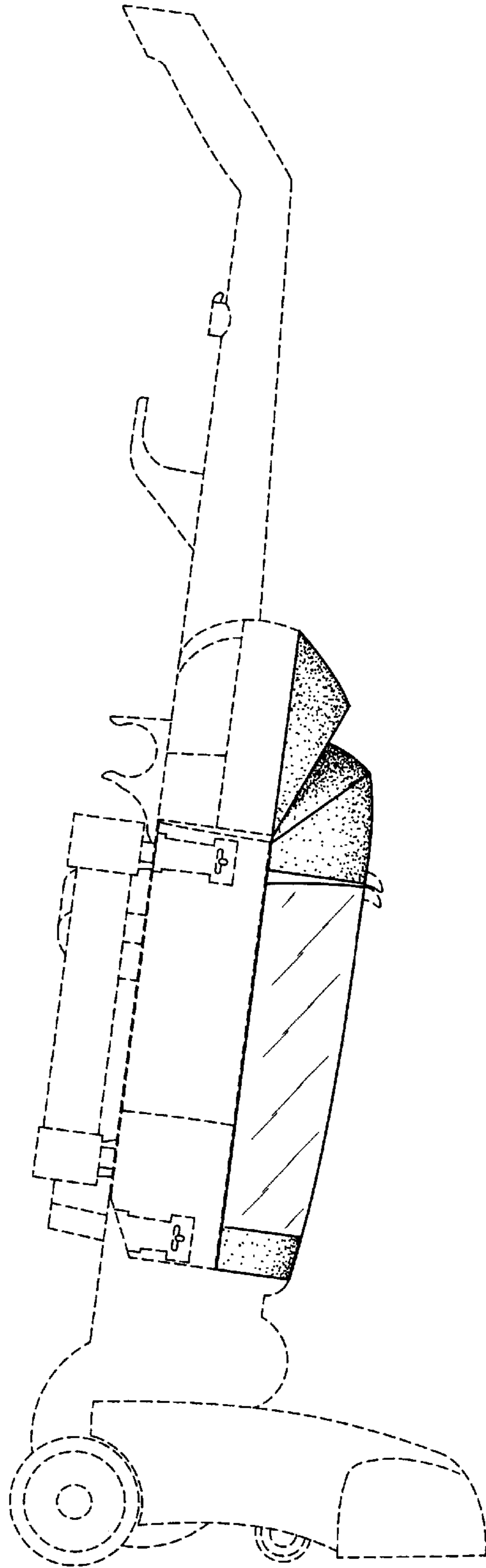


FIG-4