



US00D485027S

(12) **United States Design Patent**
Brown

(10) **Patent No.:** **US D485,027 S**

(45) **Date of Patent:** **** Jan. 6, 2004**

(54) **DUAL SWEEP BAGLESS UPRIGHT VACUUM CLEANER**

(75) **Inventor:** **Morgan S. Brown, Danville, KY (US)**

(73) **Assignee:** **Matsushita Electric Corporation of America, Secaucus, NJ (US)**

(**) **Term:** **14 Years**

(21) **Appl. No.:** **29/168,877**

(22) **Filed:** **Oct. 10, 2002**

(51) **LOC (7) Cl.** **15-05**

(52) **U.S. Cl.** **D32/22**

(58) **Field of Search** D32/21-22, 25,
D32/31-32, 34; 15/350-351, 366, 323,
347, 349, 352-353, 361

(56) **References Cited**

U.S. PATENT DOCUMENTS

D398,098 S	9/1998	Mehaffey et al.	
D406,928 S	3/1999	Rowley et al.	
D416,114 S	11/1999	Mehaffey	
D419,730 S	* 1/2000	Diebel et al.	D32/22
D429,854 S	* 8/2000	Hohulin et al.	D32/22
D434,884 S	* 12/2000	Hohulin et al.	D32/22
D437,666 S	* 2/2001	Park	D32/22

D452,758 S	*	1/2002	Yokoyama et al.	D32/22
D454,995 S		3/2002	Leyden	
6,353,963 B1	*	3/2002	Bair et al.	15/351
D455,530 S	*	4/2002	Fujii	D32/22
D459,561 S		6/2002	Leyden	
D462,814 S	*	9/2002	Sugimoto	D32/22

* cited by examiner

Primary Examiner—Ruth McInroy

(74) *Attorney, Agent, or Firm*—King & Schickli, PLLC

(57) **CLAIM**

The ornamental design for a dual sweep bagless upright vacuum cleaner, as shown and described.

DESCRIPTION

FIG. 1 is a perspective view of a dual sweep bagless upright vacuum cleaner showing my new design; FIG. 2 is a front elevational view thereof; FIG. 3 is a left side elevational view thereof; FIG. 4 is a rear elevational view thereof. FIG. 5 is a right side elevational view thereof; and, FIG. 6 is a top plan view thereof.

The details shown in broken lines in FIGS. 1-6 are for illustrative purposes only and form no part of the claimed design.

1 Claim, 6 Drawing Sheets

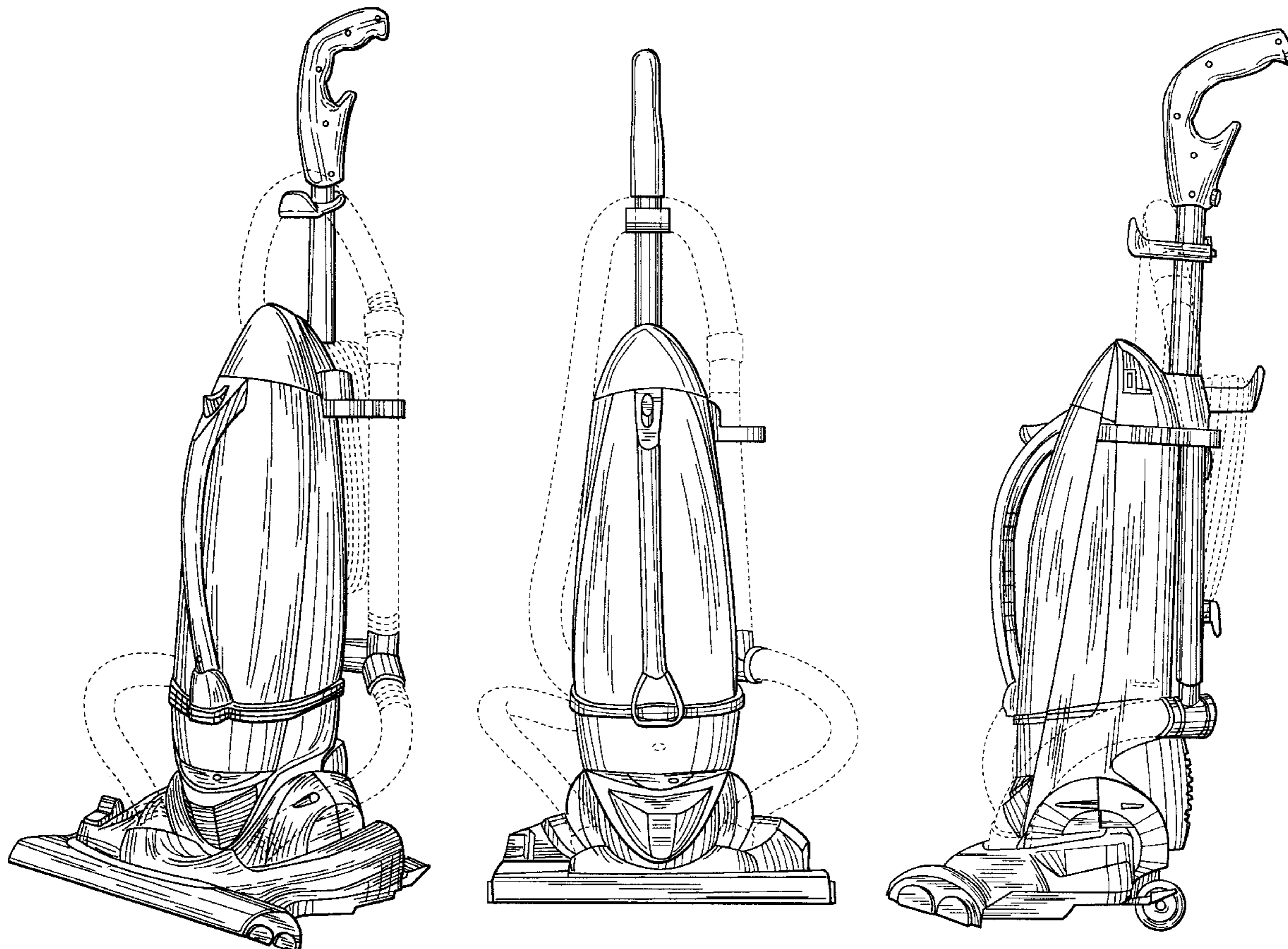


Fig. 1

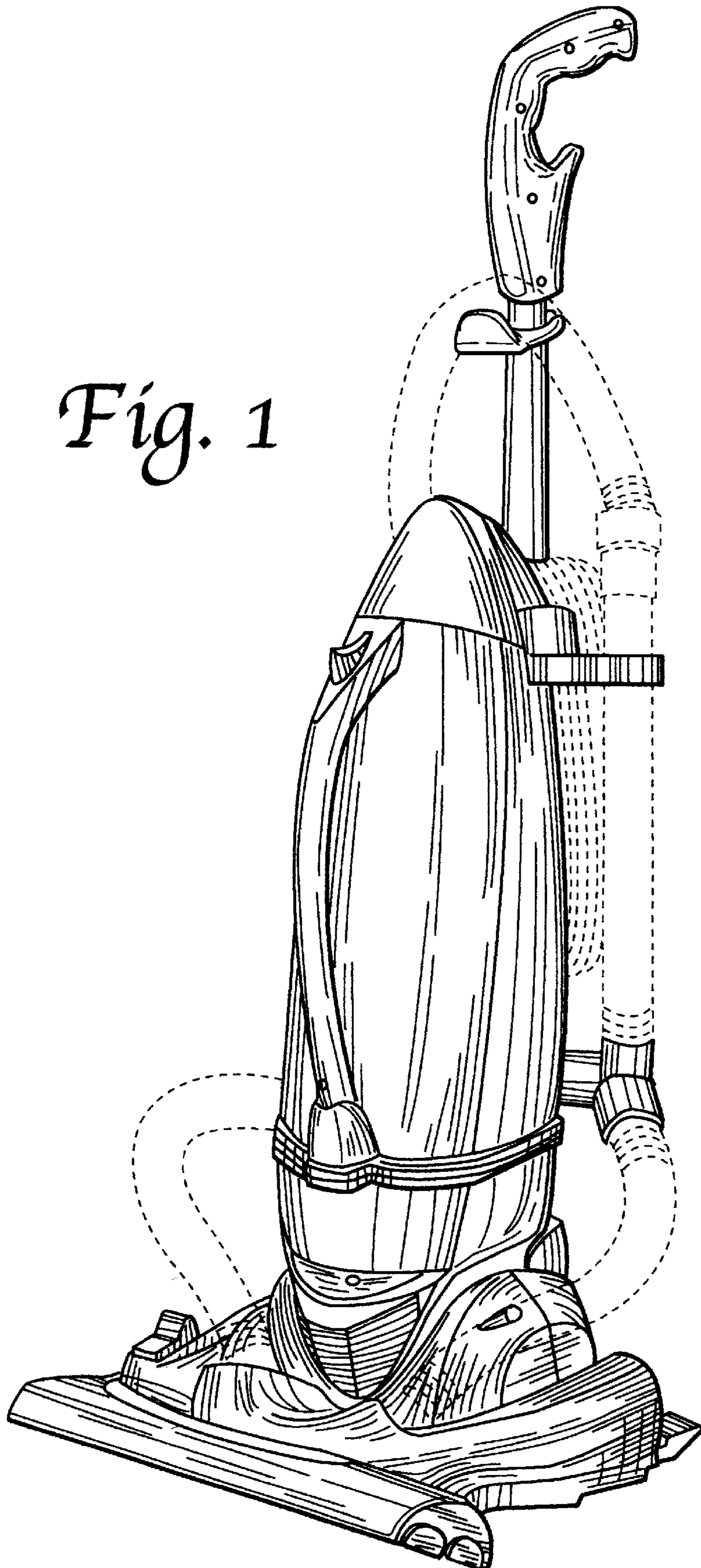


Fig. 2

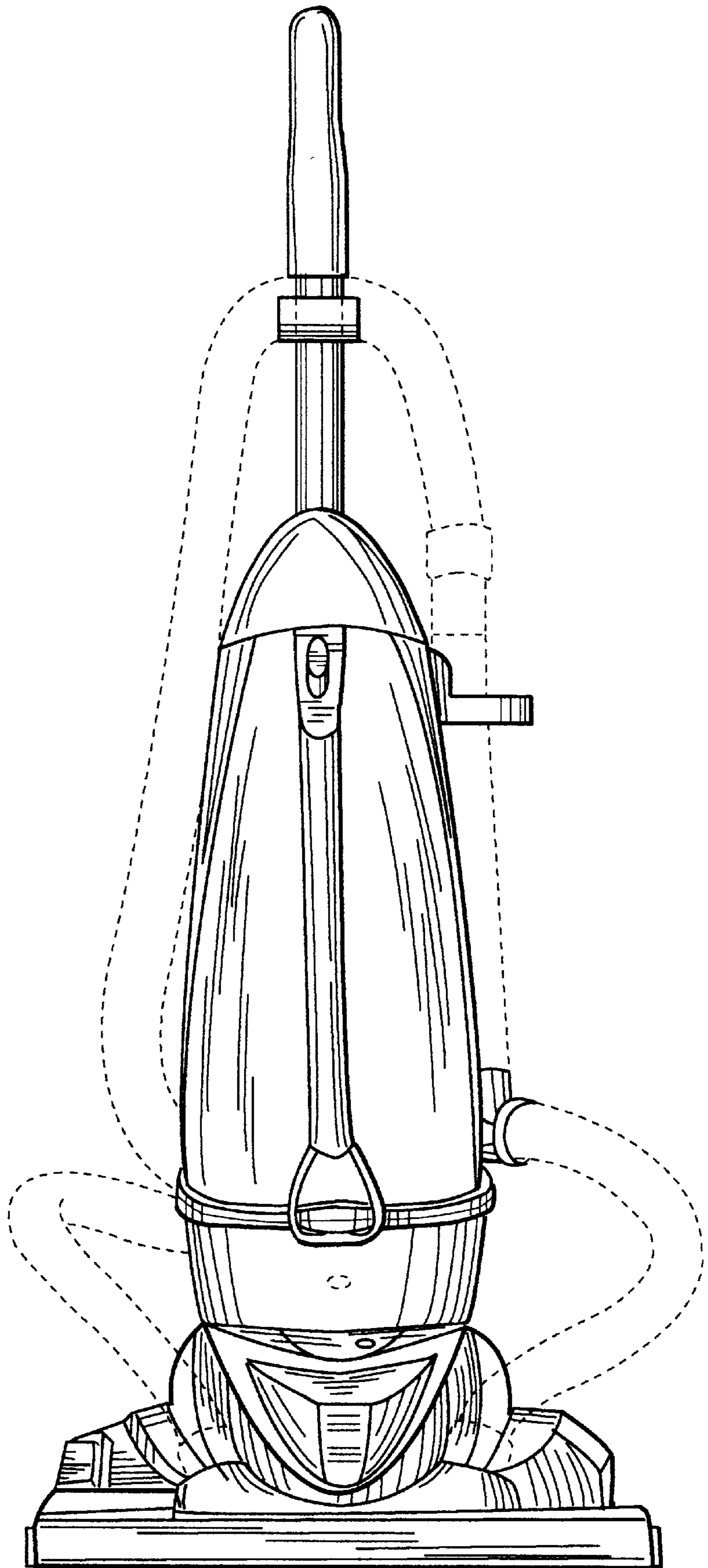


Fig. 3

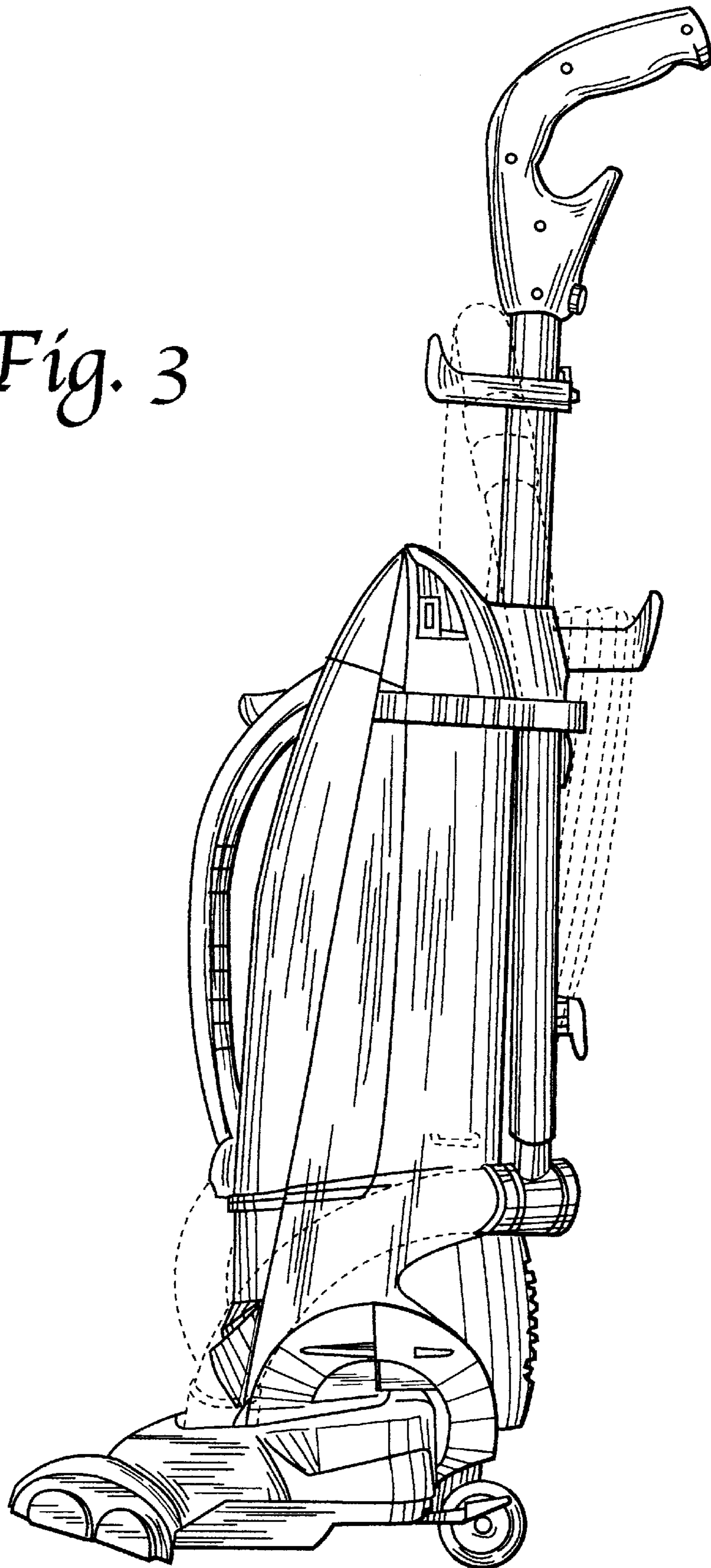
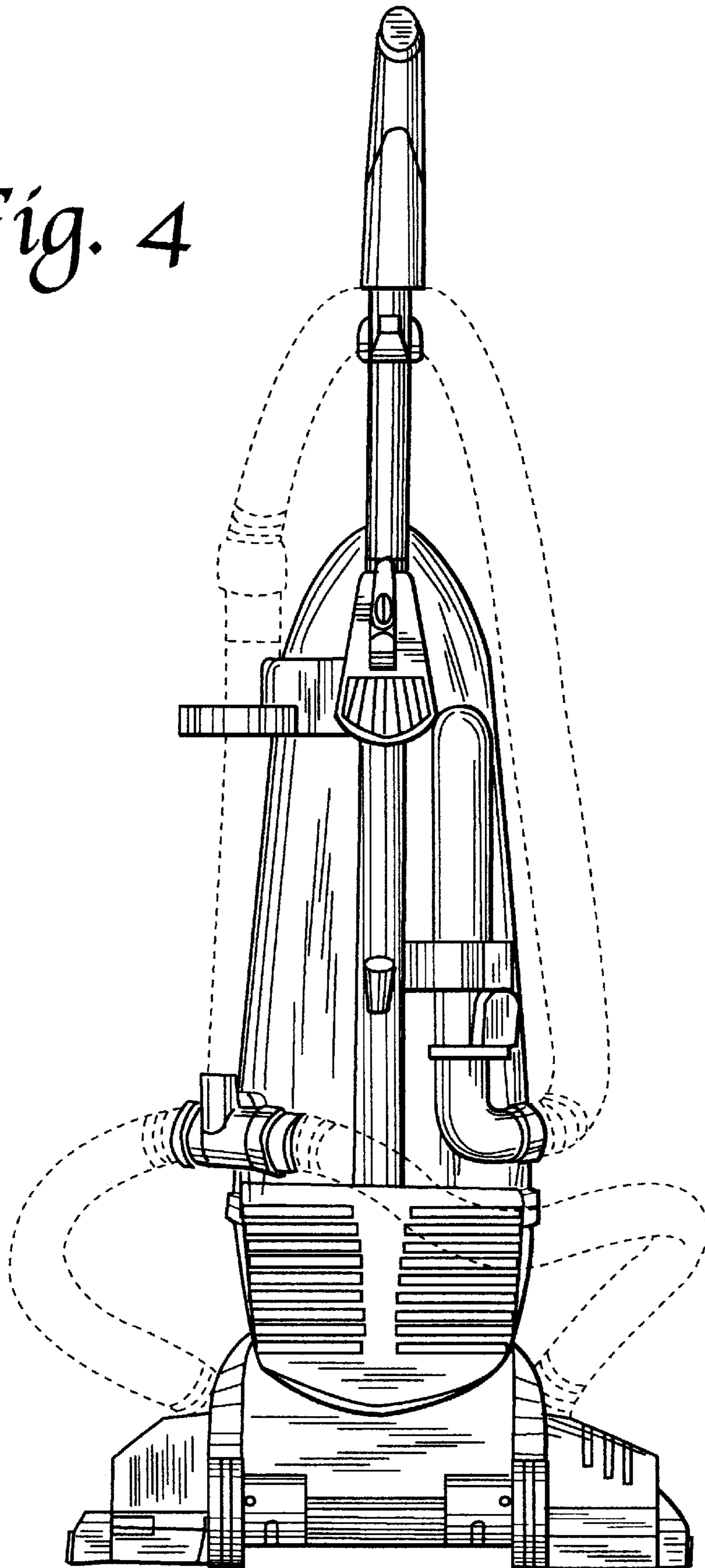


Fig. 4



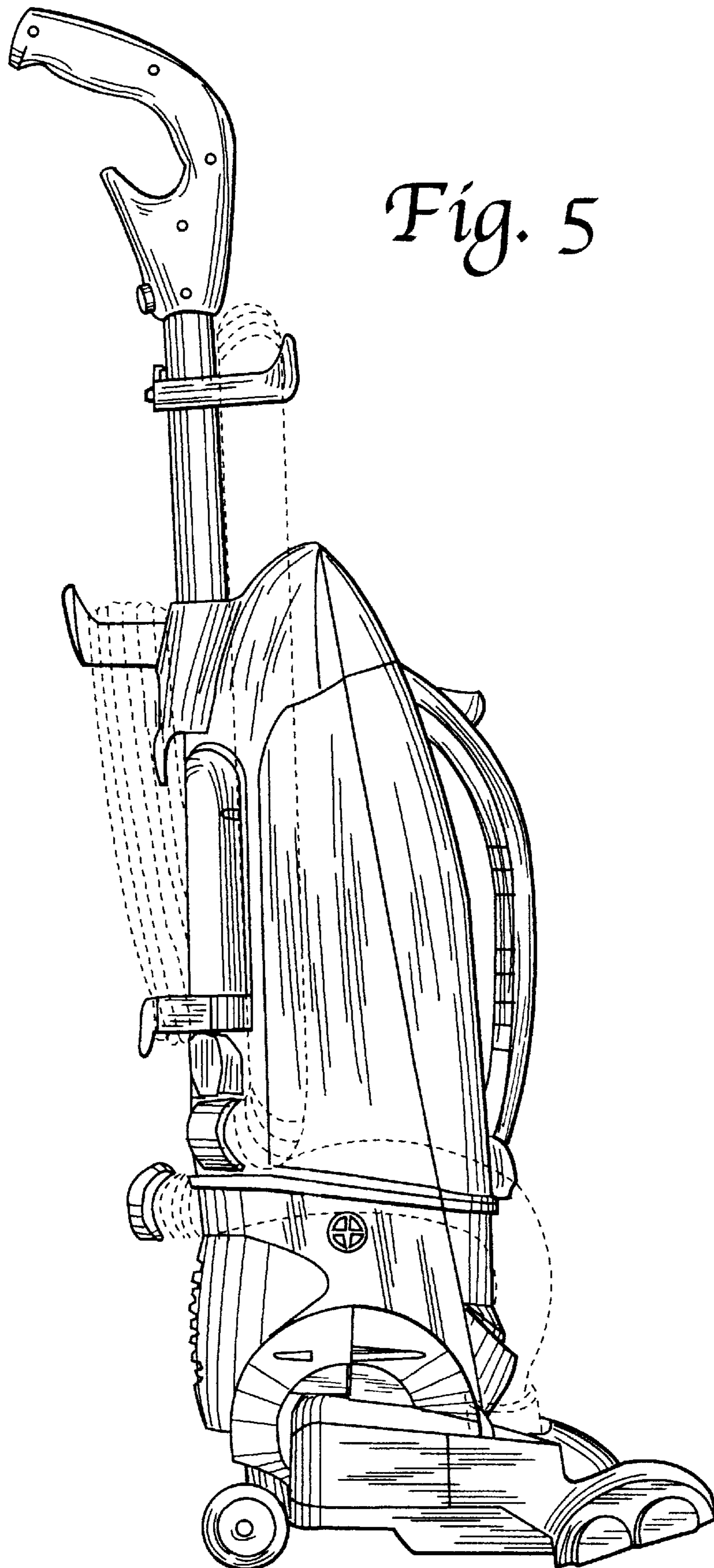


Fig. 5

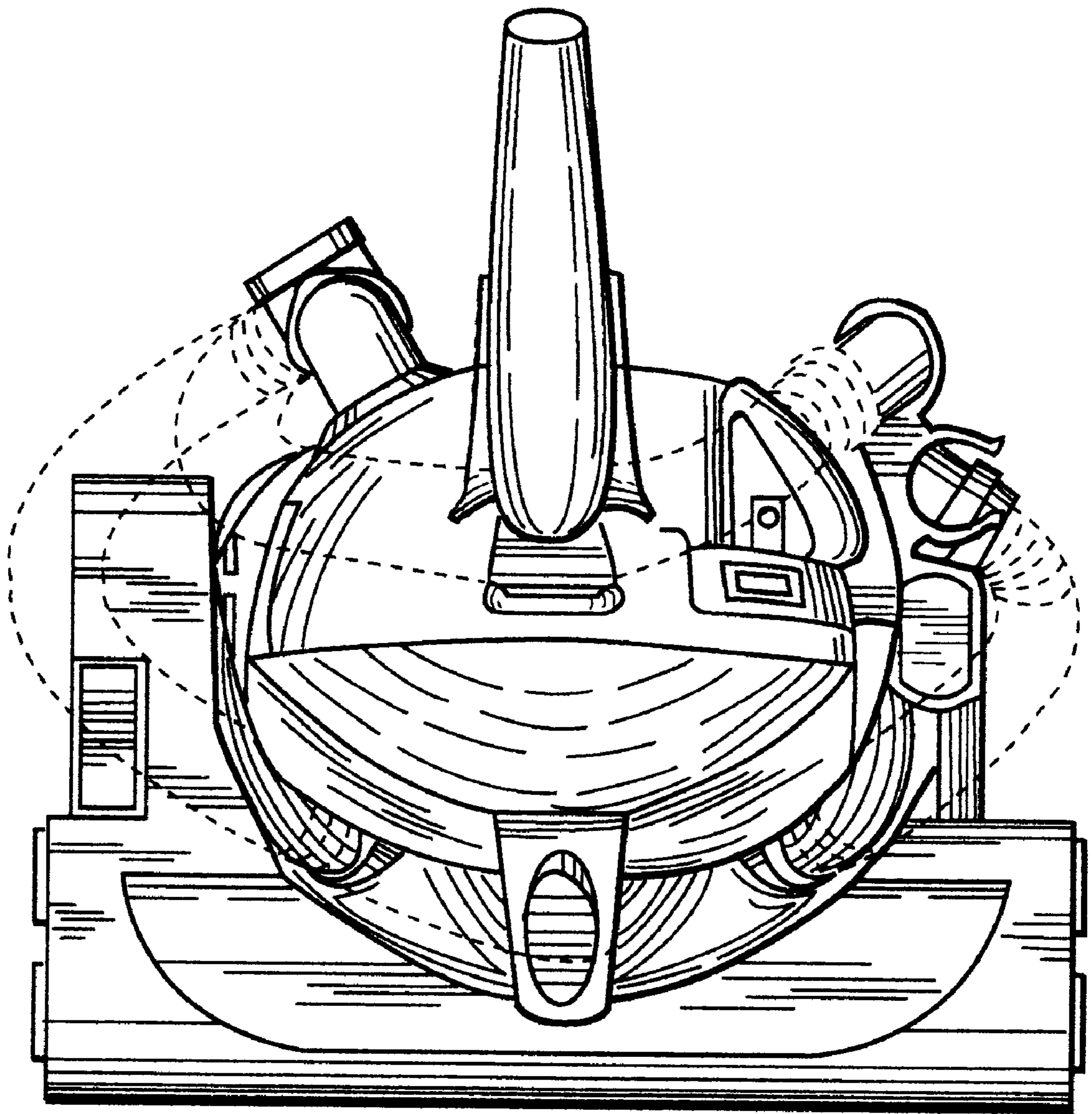


Fig. 6