



US00D485025S

(12) **United States Design Patent**
Edwards et al.

(10) **Patent No.:** **US D485,025 S**
(45) **Date of Patent:** **** Jan. 6, 2004**

(54) **COMBINED PET LITTER SCOOP WITH BAG DISPENSER INTEGRATED INTO HANDLE**

(76) Inventors: **Timothy Edwards**, 601 Hoska Dr., Del Mar, CA (US) 92014; **Mary Edwards**, 601 Hoska Dr., Del Mar, CA (US) 92014

(**) Term: **14 Years**

(21) Appl. No.: **29/170,969**

(22) Filed: **Nov. 13, 2002**

(51) **LOC (7) Cl.** **30-99**

(52) **U.S. Cl.** **D30/162**

(58) **Field of Search** D30/162, 152, D30/153; D8/10; D7/686-688; 294/1.3, 1.4, 55, 55.5, 99.2; 172/380; 119/856, 858

(56) **References Cited**

U.S. PATENT DOCUMENTS

316,623 A	*	4/1885	Hooper	D30/162
D314,254 S	*	1/1991	Gordon	D30/162
D332,675 S	*	1/1993	Simon	D30/162
D347,497 S	*	5/1994	VanSkiver	D30/162
5,441,017 A	*	8/1995	Lindsay	119/858
5,560,321 A	*	10/1996	Hess	119/858

D377,246 S	*	1/1997	Clenney	D30/162
6,022,058 A	*	2/2000	O'Rourke	294/1.3
6,073,590 A	*	6/2000	Polding	294/1.3
D438,349 S	*	2/2001	Keller et al.	D30/162
6,223,695 B1	*	5/2001	Edwards et al.	119/858
D464,179 S	*	10/2002	Petersen et al.	D30/162

* cited by examiner

Primary Examiner—Cathy Anne MacCormac
(74) *Attorney, Agent, or Firm*—Kelly Bauersfeld Lowry & Kelley, LLP

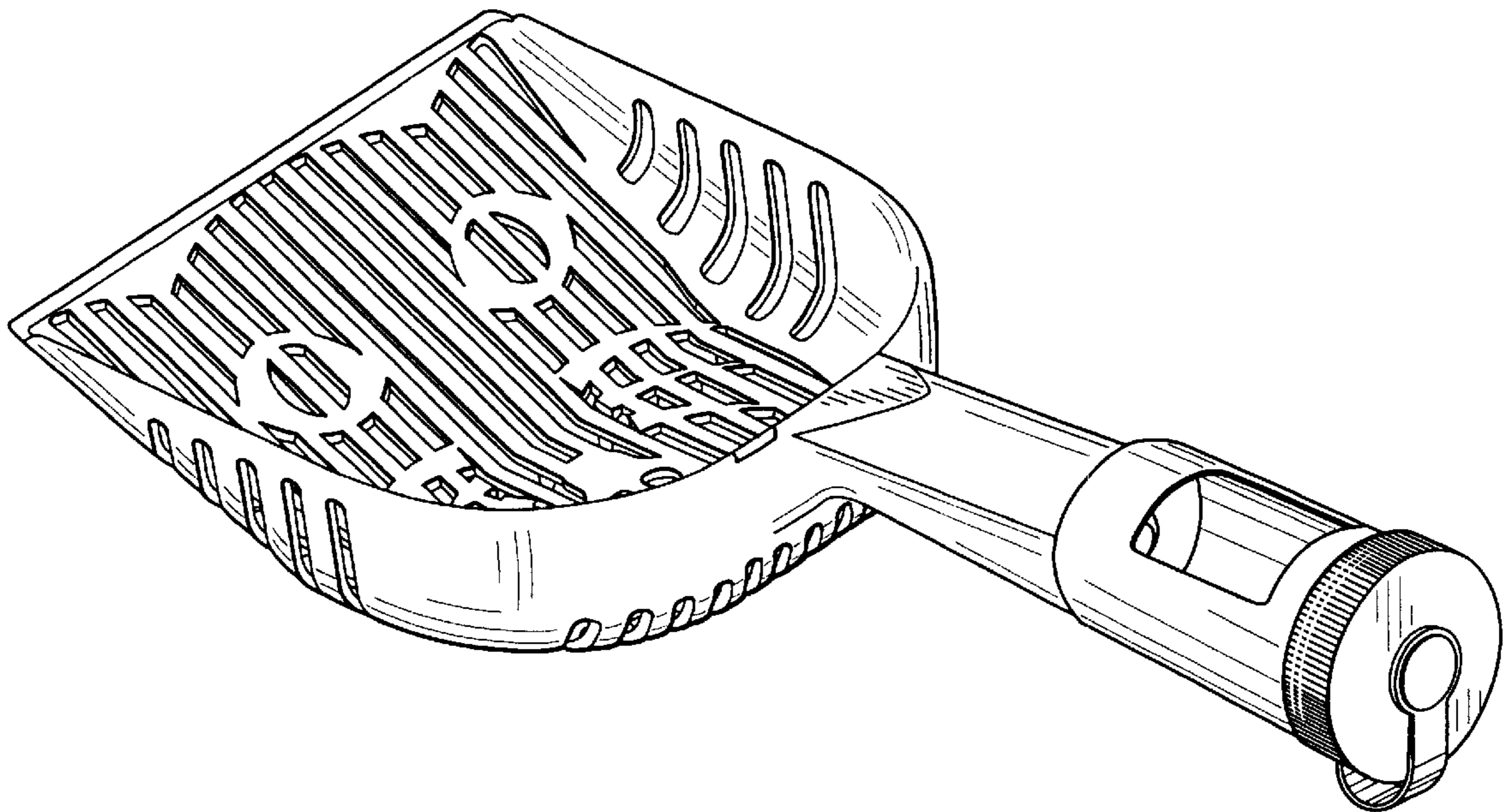
(57) **CLAIM**

The ornamental design for a combined pet litter scoop with bag dispenser integrated into handle, as shown.

DESCRIPTION

FIG. 1 is a top rear and left-side perspective view of a combined pet litter scoop with bag dispenser integrated into handle, embodying our new design; FIG. 2 is a front elevational view thereof; FIG. 3 is a rear elevational view thereof; FIG. 4 is a left-side elevational view thereof; FIG. 5 is a right-side elevational view thereof; FIG. 6 is a top plan view thereof; and, FIG. 7 is a bottom plan view thereof.

1 Claim, 3 Drawing Sheets



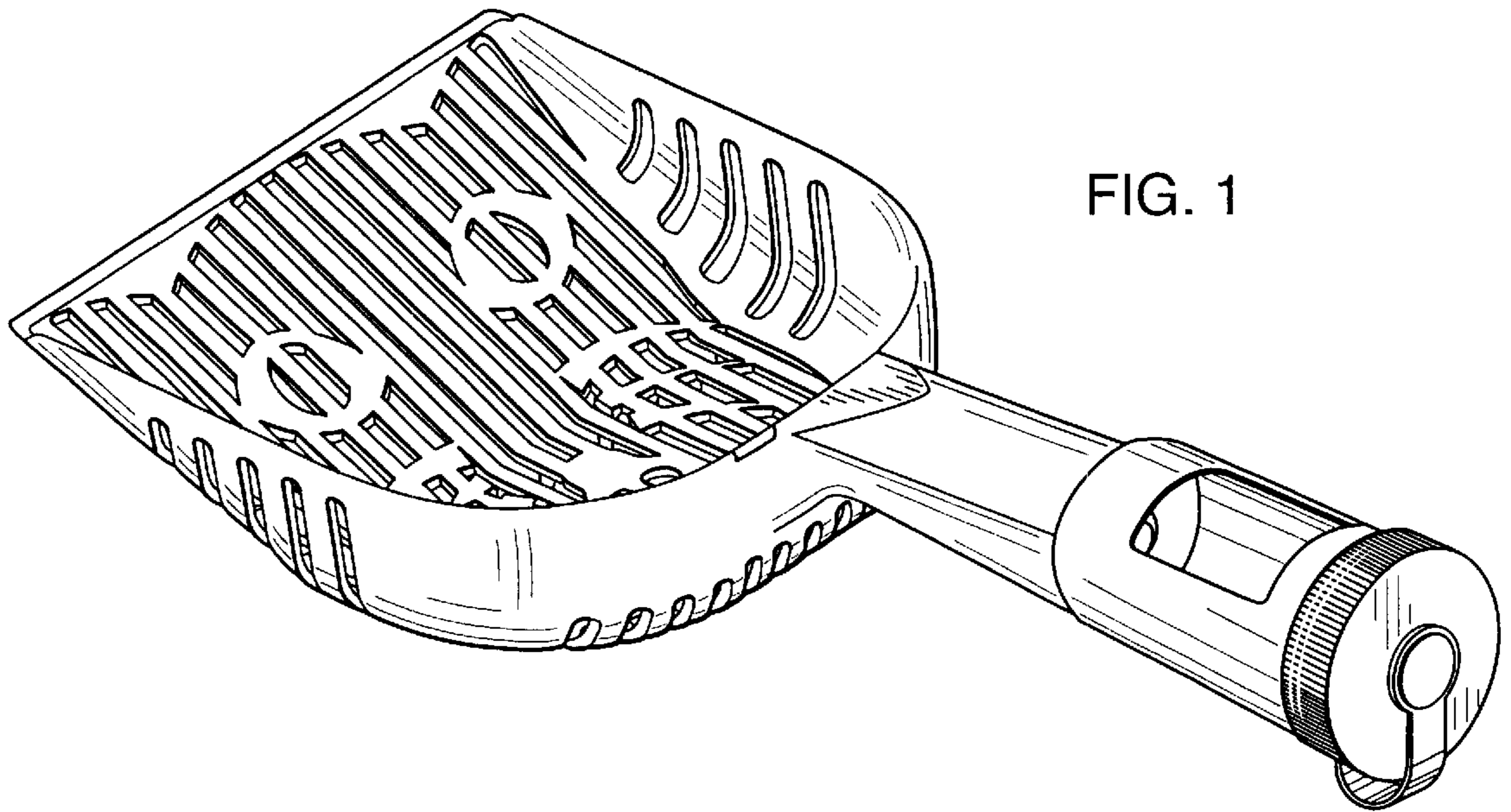


FIG. 1

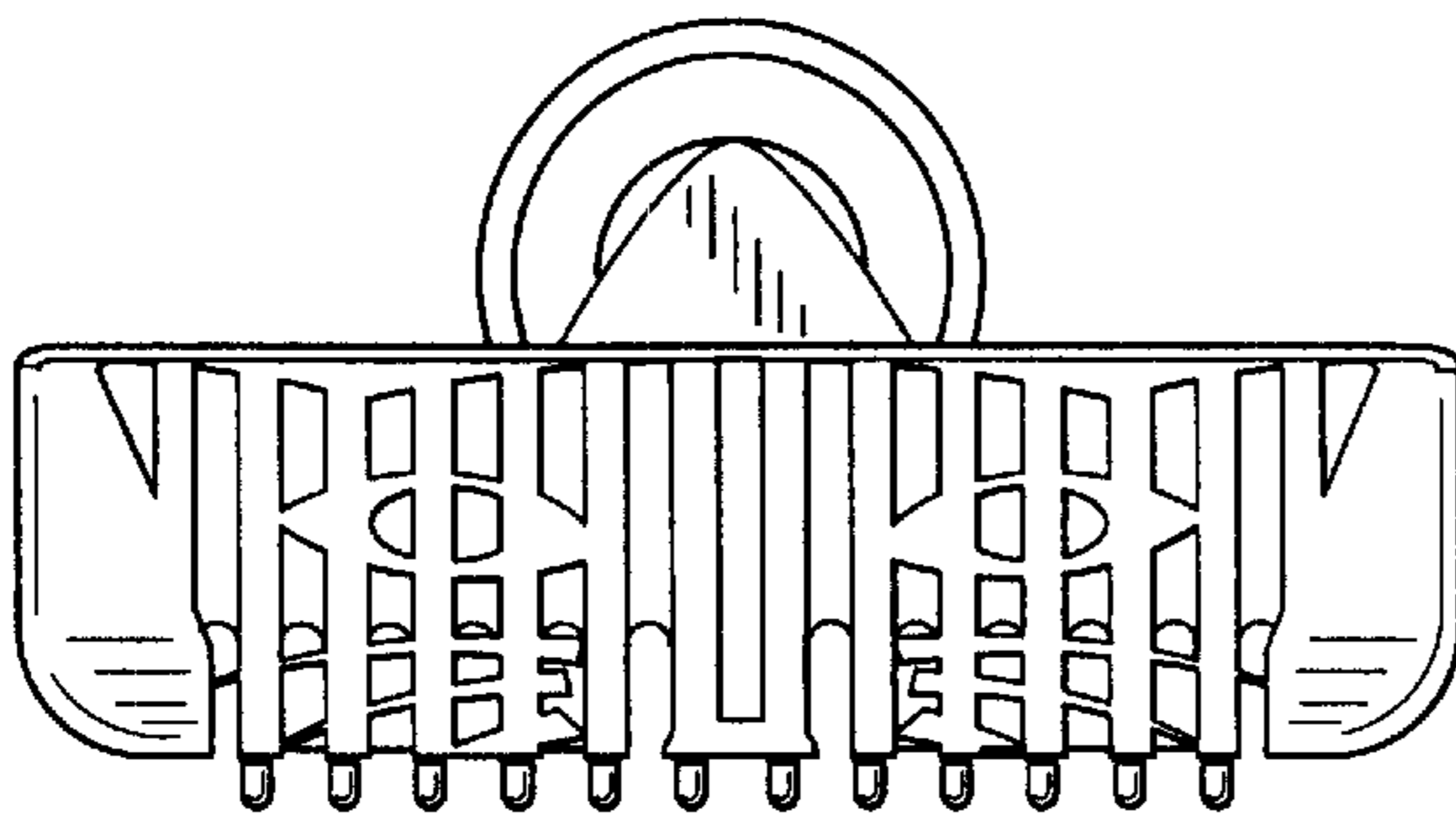


FIG. 2

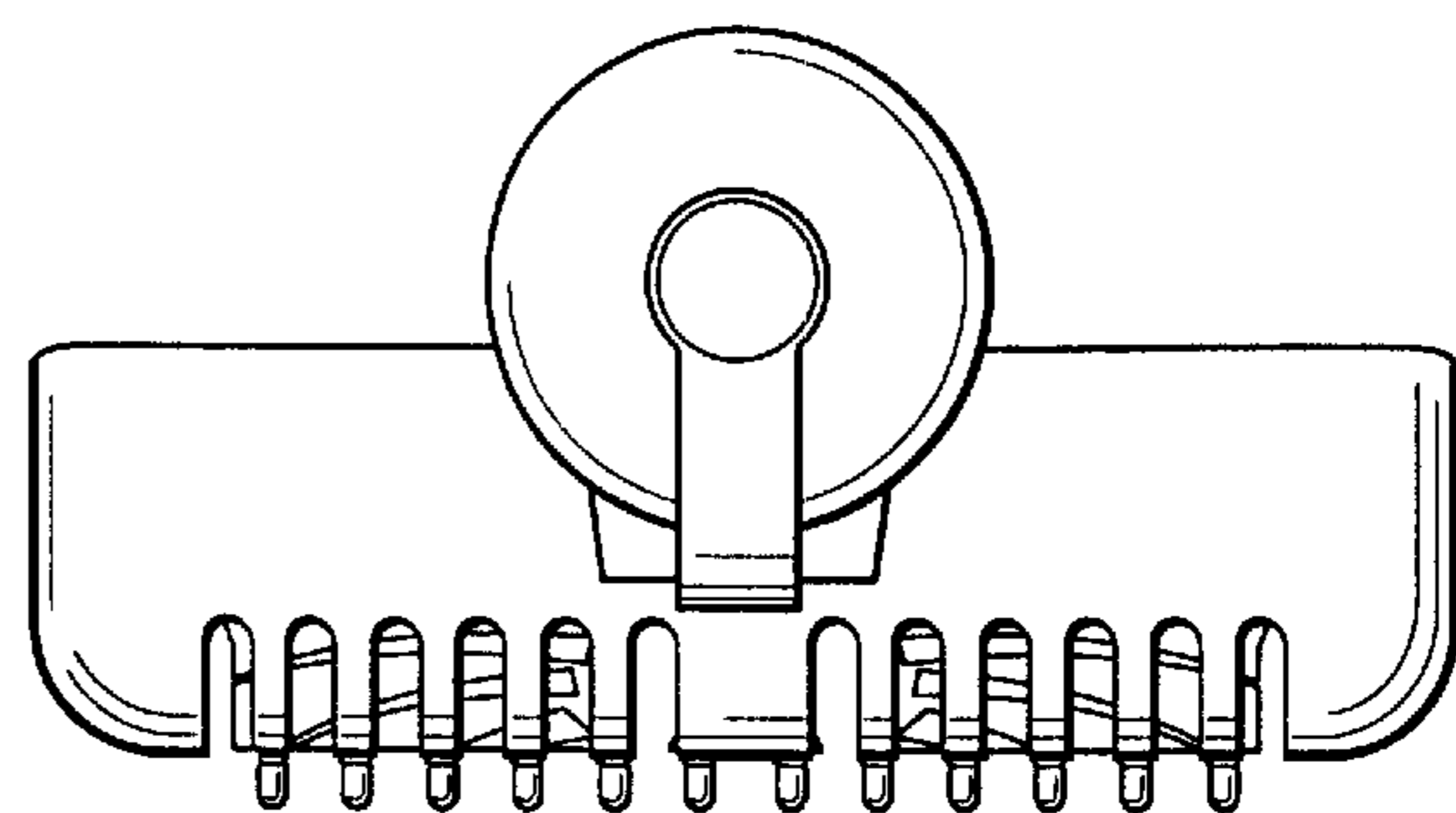


FIG. 3

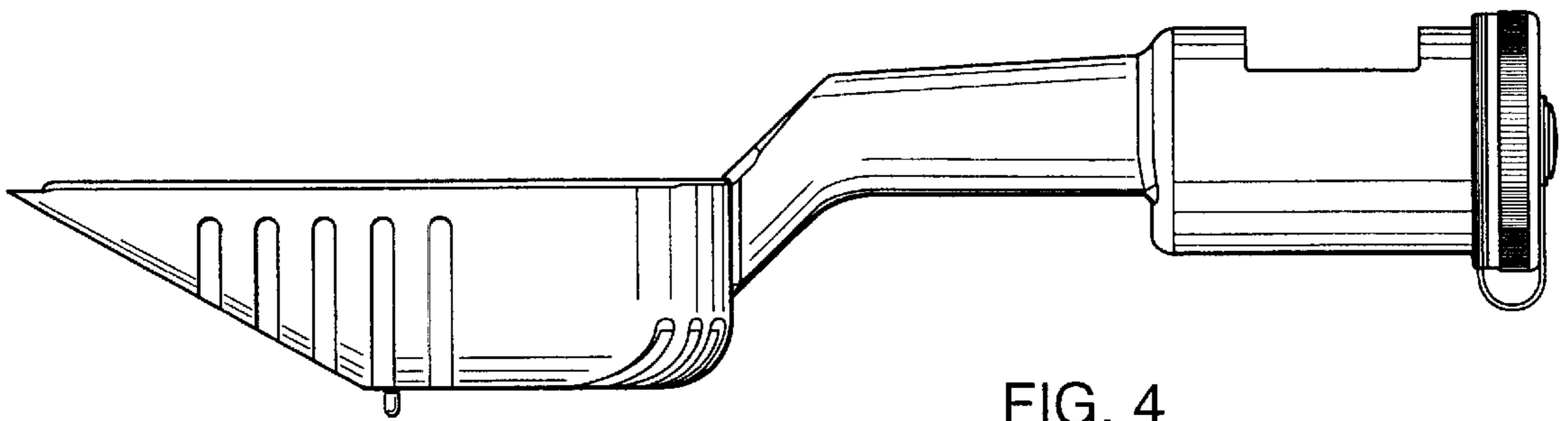


FIG. 4

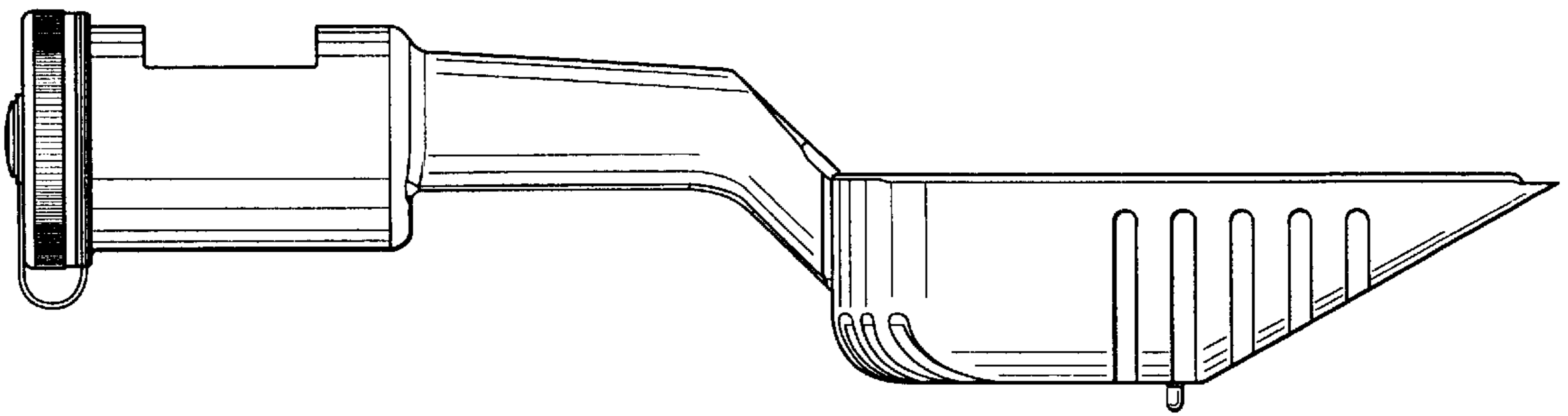


FIG. 5

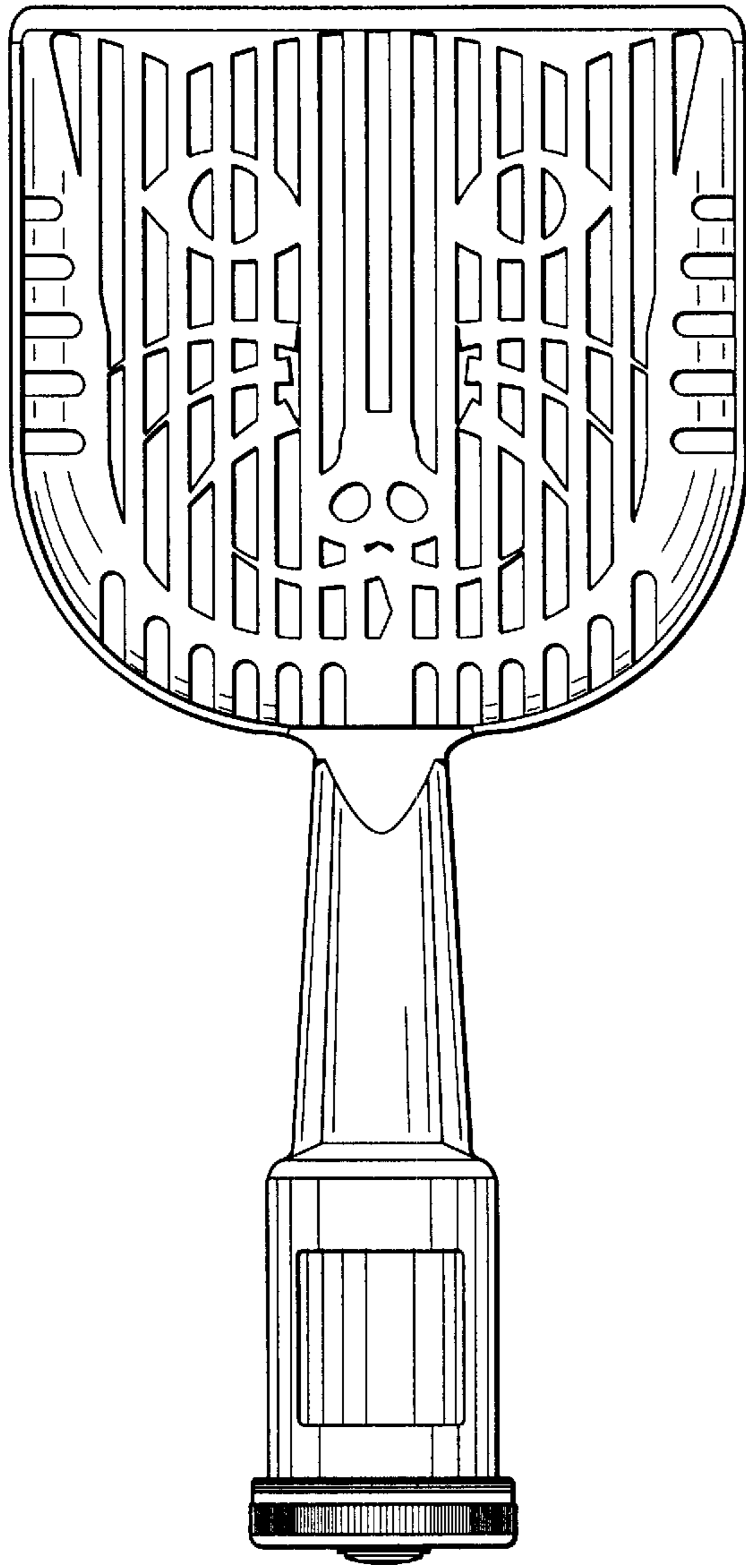


FIG. 6

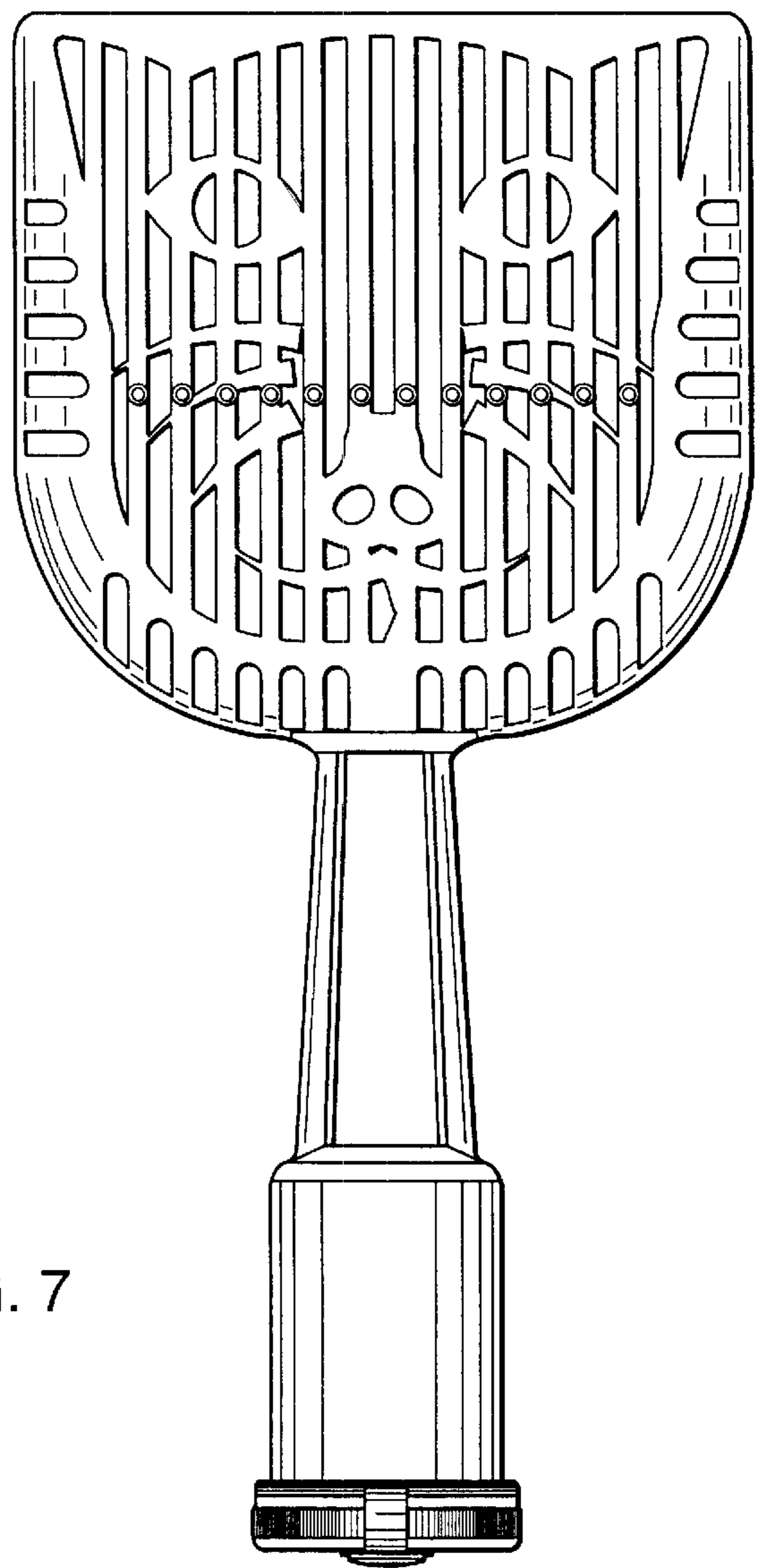


FIG. 7