



US00D485024S

(12) **United States Design Patent**  
**Sulier**

(10) **Patent No.:** **US D485,024 S**

(45) **Date of Patent:** **\*\* Jan. 6, 2004**

(54) **FORK FOR REMOVING PET WASTE**

(76) **Inventor:** **Cornelius W. Sulier**, 111 Conn Ter.,  
Lexington, KY (US) 40503

(\*\*) **Term:** **14 Years**

(21) **Appl. No.:** **29/168,515**

(22) **Filed:** **Oct. 3, 2002**

(51) **LOC (7) Cl.** ..... **30-99**

(52) **U.S. Cl.** ..... **D30/162**

(58) **Field of Search** ..... D30/162; D7/683;  
30/129, 137, 322; 15/257.1-257.3, 236.08,  
257.4; 294/1.3, 1.4, 7-9, 53.5, 55.5

(56) **References Cited**

**U.S. PATENT DOCUMENTS**

512,162 A	*	1/1894	Cuddy	.....	294/7
3,213,779 A	*	10/1965	First	.....	294/7
3,688,483 A	*	9/1972	Hamilton	.....	294/55
4,196,928 A	*	4/1980	Spangler	.....	294/55

4,316,627 A	*	2/1982	Solypa	.....	294/1.4
4,848,816 A	*	7/1989	Anderson	.....	294/7
D310,741 S	*	9/1990	Moses	.....	D30/162
6,068,312 A	*	5/2000	Hills	.....	294/7

\* cited by examiner

*Primary Examiner*—Terry A. Wallace

(74) *Attorney, Agent, or Firm*—Kenneth F. Pearce

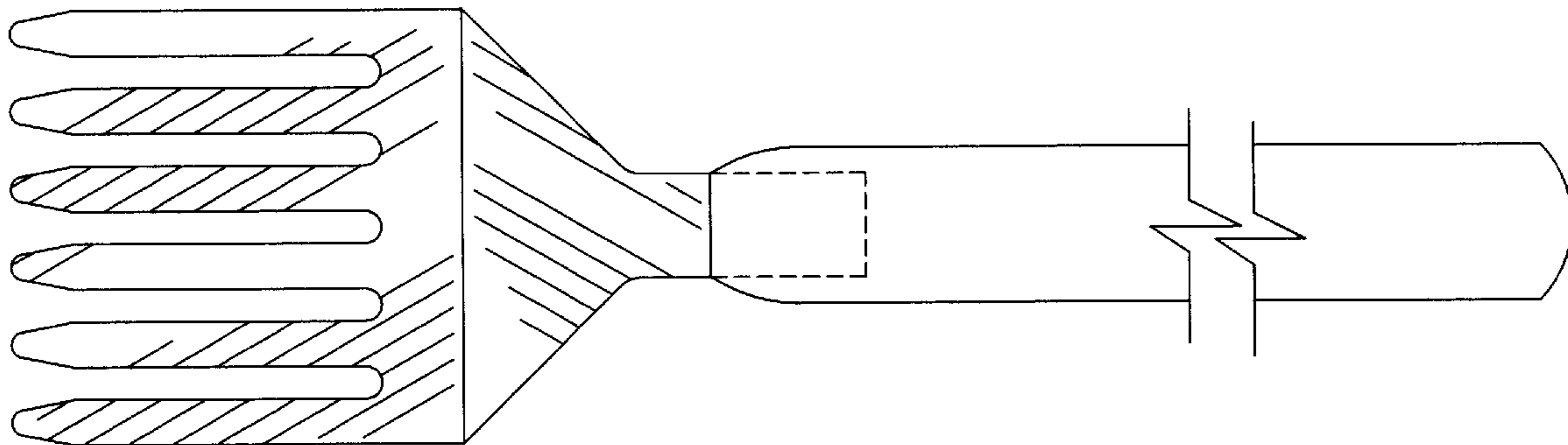
(57) **CLAIM**

The ornamental design for a fork for removing pet waste, as shown and described.

**DESCRIPTION**

FIG. 1 is a top view of the fork for removing pet waste. FIG. 2 is a front view of the fork for removing pet waste. FIG. 3 is a profile side view of the fork for removing pet waste; and, FIG. 4 is a bottom view of the fork for removing pet waste. The broken lines are for illustrative purposes only and form no part of the claimed design.

**1 Claim, 1 Drawing Sheet**



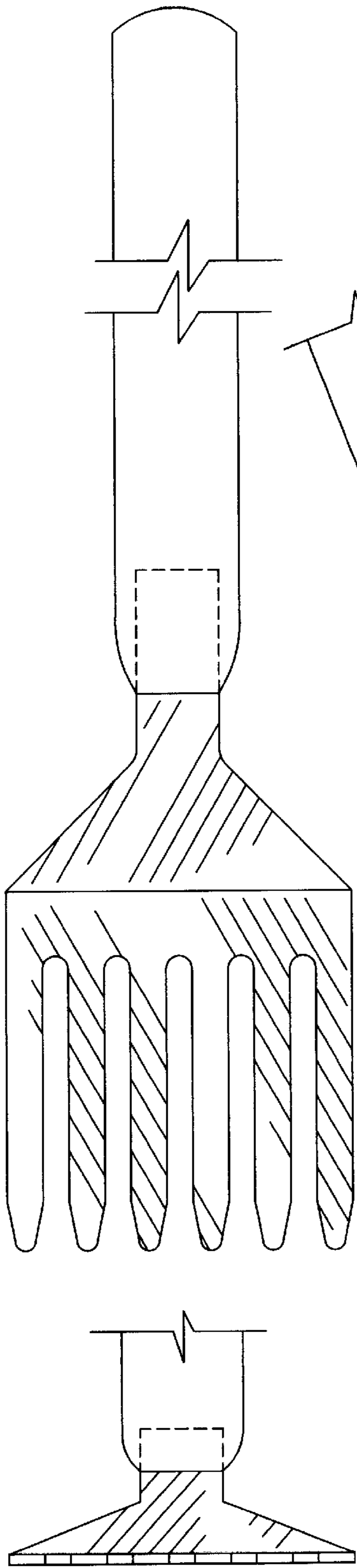


FIGURE 1

FIGURE 2

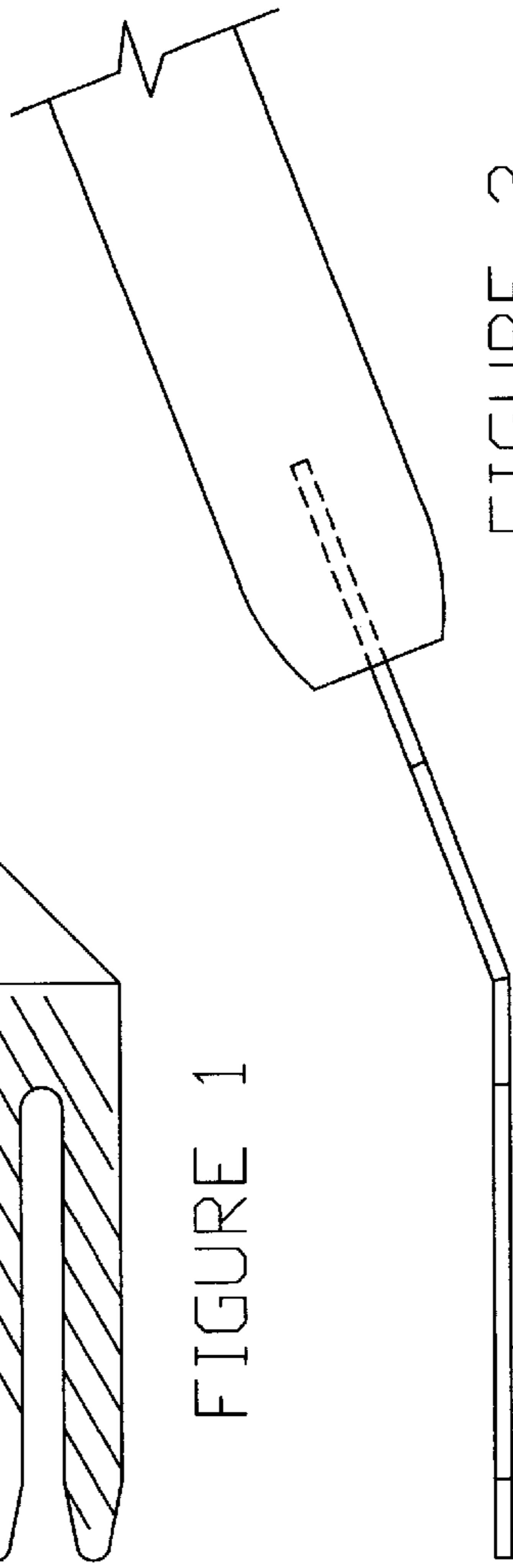


FIGURE 3

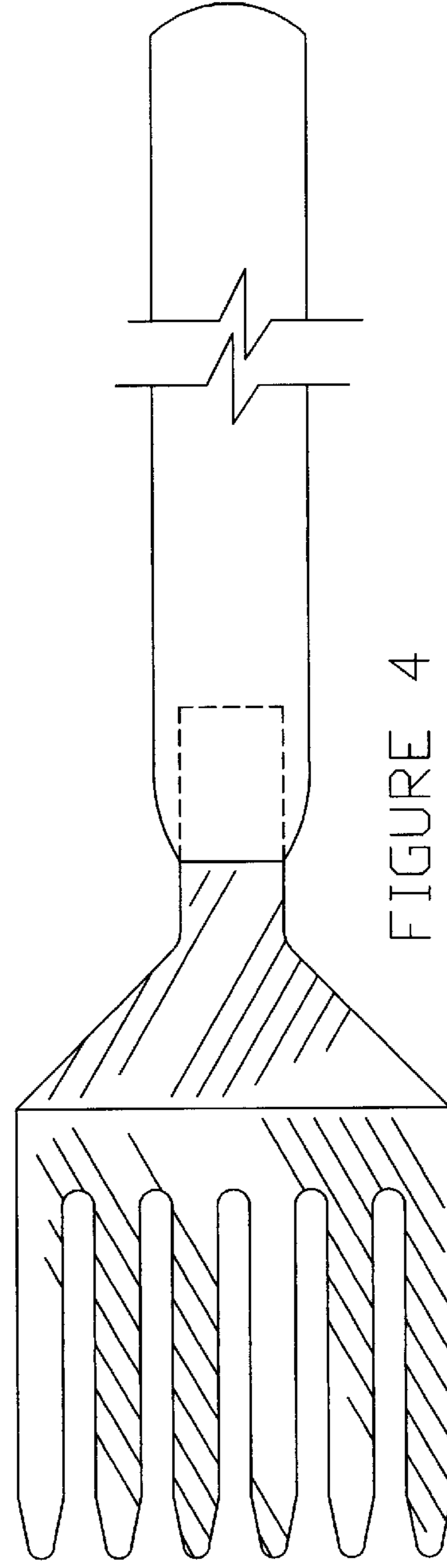


FIGURE 4