



US00D485012S

(12) **United States Design Patent**
Zucker

(10) **Patent No.:** **US D485,012 S**

(45) **Date of Patent:** **** Jan. 6, 2004**

(54) **RAZOR HANDLE**

(75) Inventor: **Shlomo Zucker, Michmoret (IL)**

(73) Assignee: **Wheel Technology Ltd., Kowloon (HK)**

(**) Term: **14 Years**

(21) Appl. No.: **29/163,438**

(22) Filed: **Jul. 8, 2002**

Related U.S. Application Data

(63) Continuation of application No. 29/164,459, filed on Aug. 10, 2001, now abandoned.

(51) **LOC (7) Cl.** **28-03**

(52) **U.S. Cl.** **D28/48**

(58) **Field of Search** D28/44-48; 30/32, 30/34.05-41, 42, 46-52, 57-84, 526-535, 541

(56) **References Cited**

U.S. PATENT DOCUMENTS

- 385,636 A * 7/1888 Leach 30/35
- 935,979 A * 10/1909 Hauser et al. 30/35
- 2,049,574 A * 8/1936 Stein 30/34.2
- 2,342,849 A * 2/1944 Evans 30/36
- 3,139,683 A * 7/1964 Waldman 30/41

- D230,222 S * 1/1974 Glaberson et al. D28/48
- 4,392,303 A * 7/1983 Ciaffone 30/526
- 4,993,154 A * 2/1991 Radcliffe 30/527
- D342,807 S * 12/1993 Smith D28/46
- 5,402,573 A * 4/1995 Laniado 30/41

* cited by examiner

Primary Examiner—Philip S. Hyder

Assistant Examiner—C Tuttle

(74) *Attorney, Agent, or Firm*—G. E. Ehrlich (1995) Ltd.

(57) **CLAIM**

I claim the ornamental design for a razor handle, as shown and described.

DESCRIPTION

FIG. 1 is a perspective view of my new design of a razor handle.

FIG. 2 is a top plan view of my new design of a razor handle.

FIG. 3 is a right view of my new design of a razor handle.

FIG. 4 is a left side view of my new design of a razor handle.

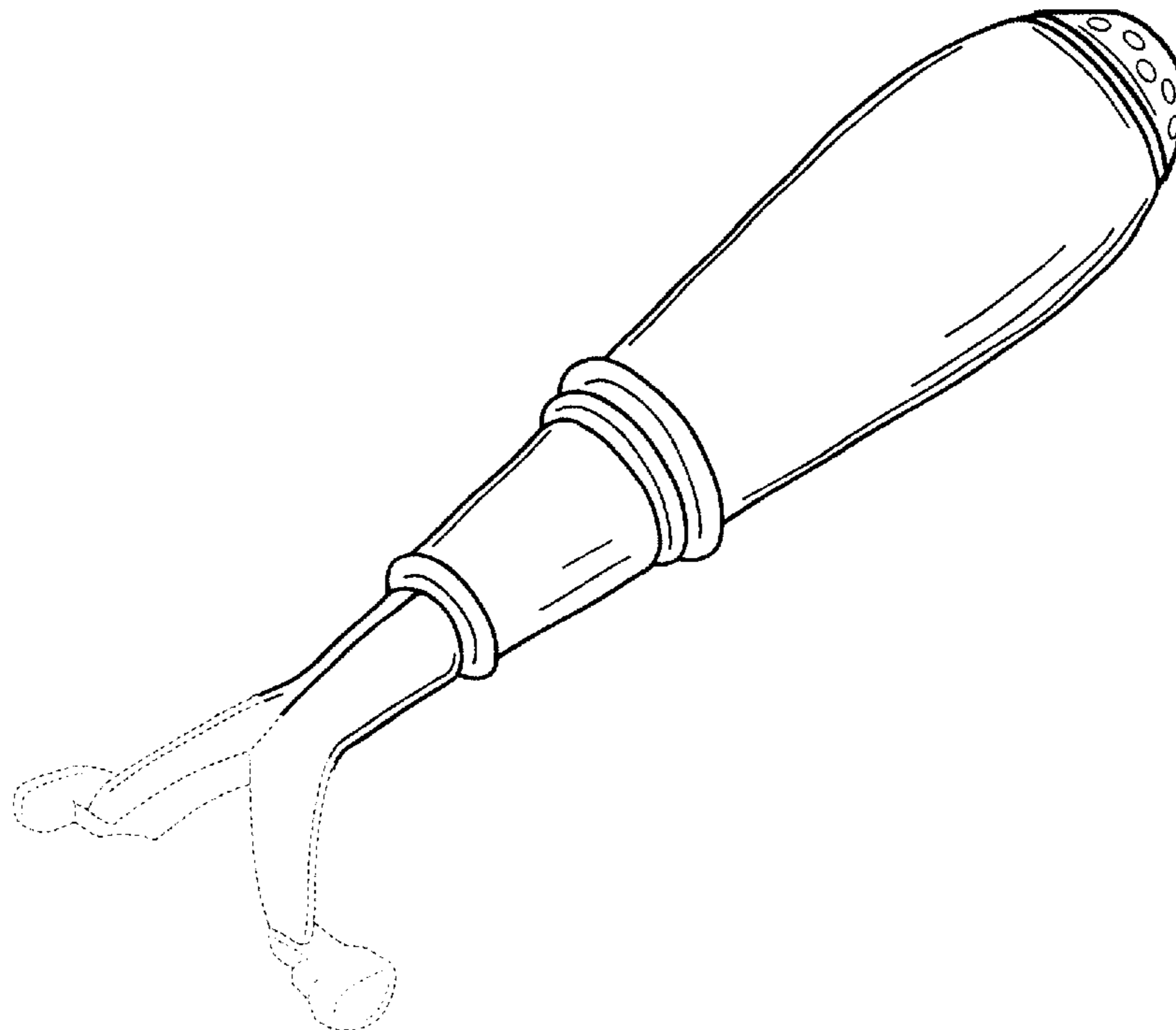
FIG. 5 is a bottom plan view of my new design of a razor handle.

FIG. 6 is a rear view of my new design of a razor handle; and,

FIG. 7 is a front view of my new design of a razor handle.

The structures shown in broken lines for illustrative purposes only and form no part of the claimed design.

1 Claim, 4 Drawing Sheets



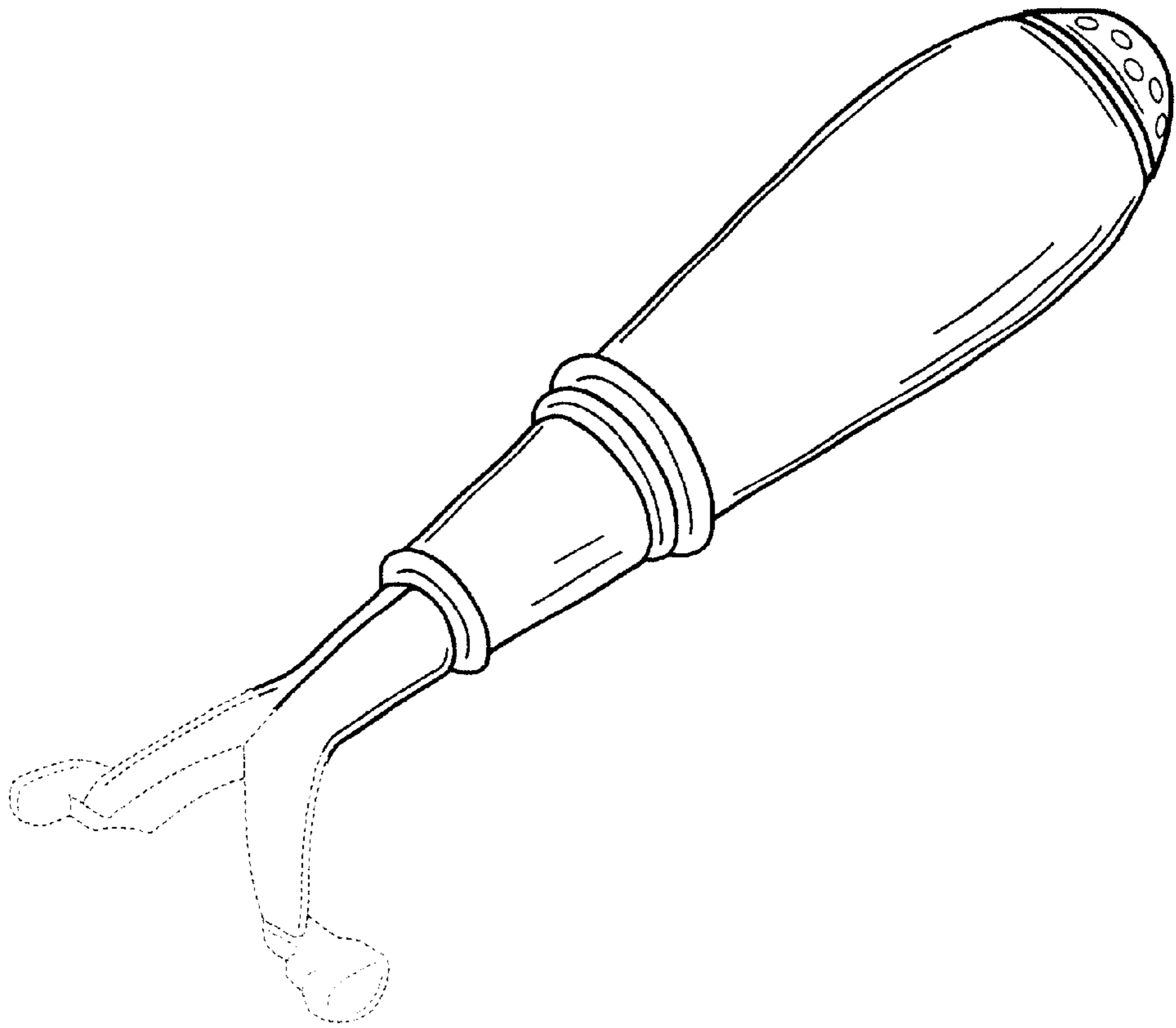


Fig. 1

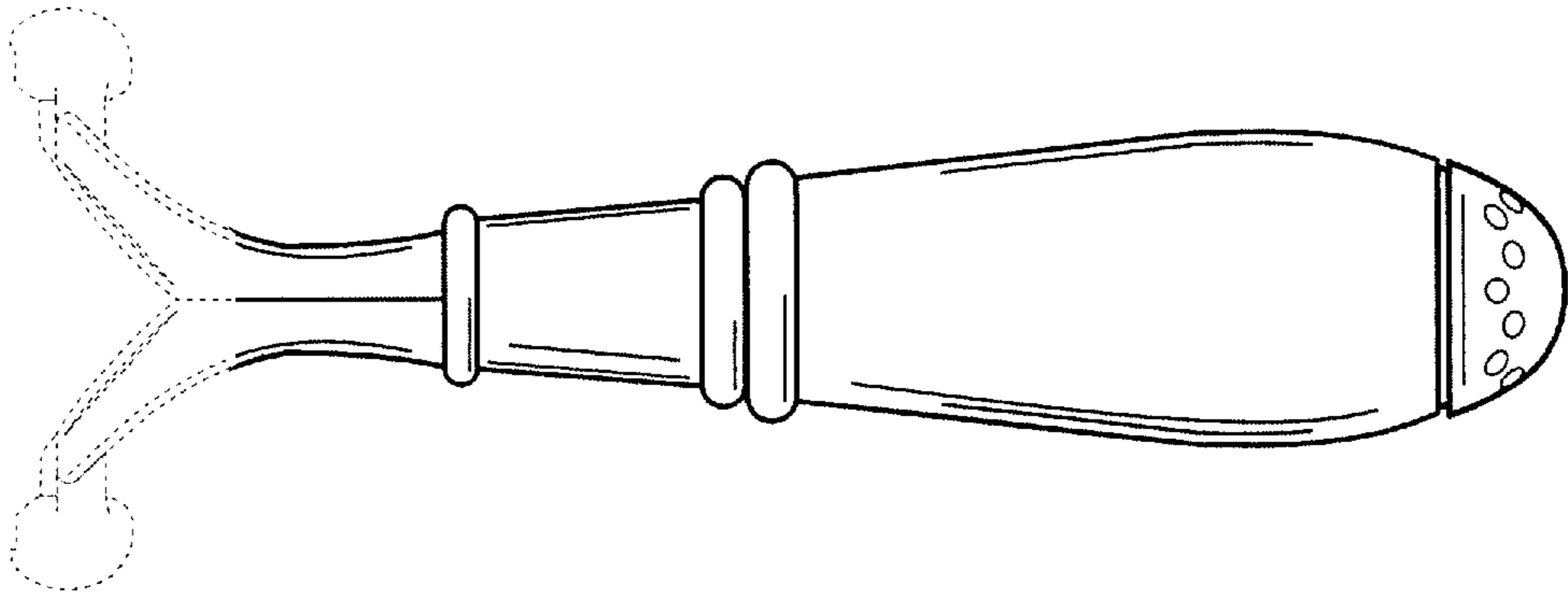


Fig. 2

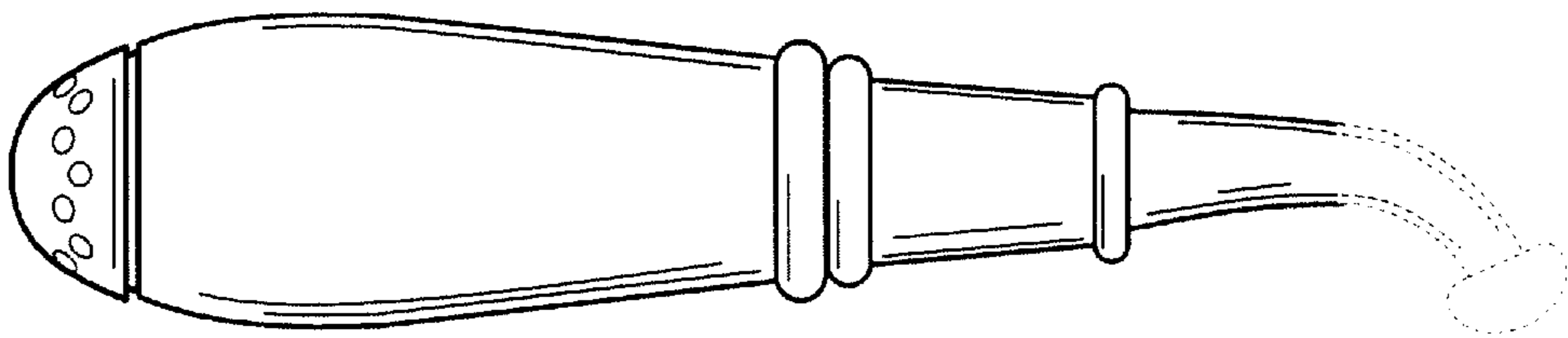


Fig. 3

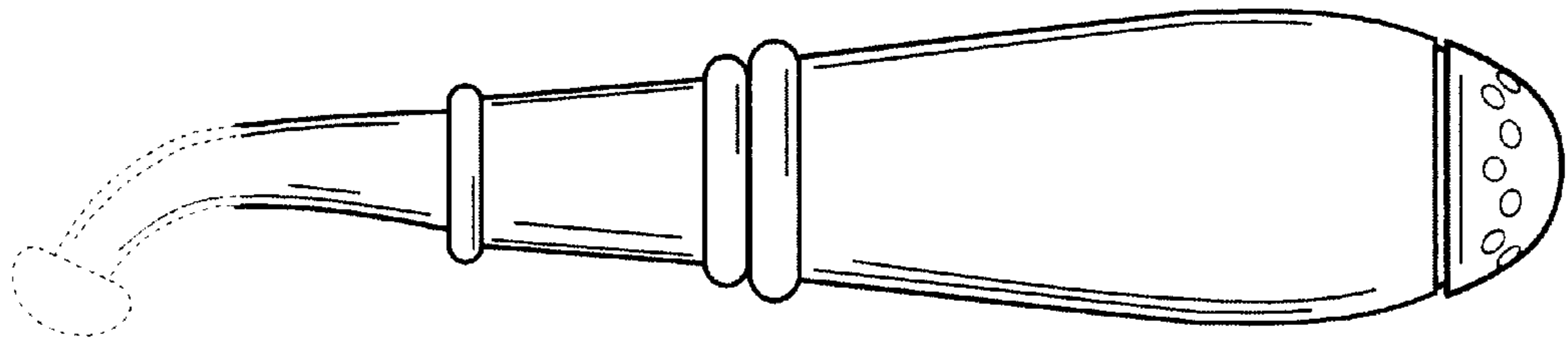


Fig. 4

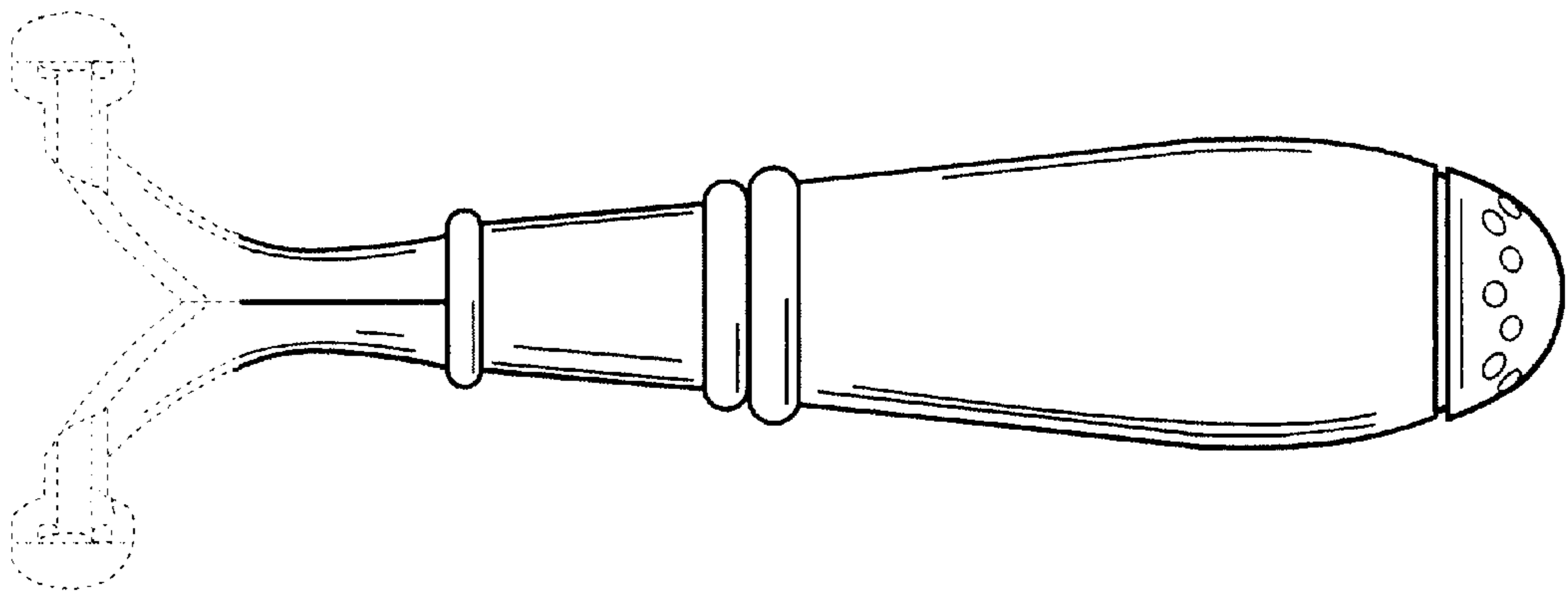


Fig. 5

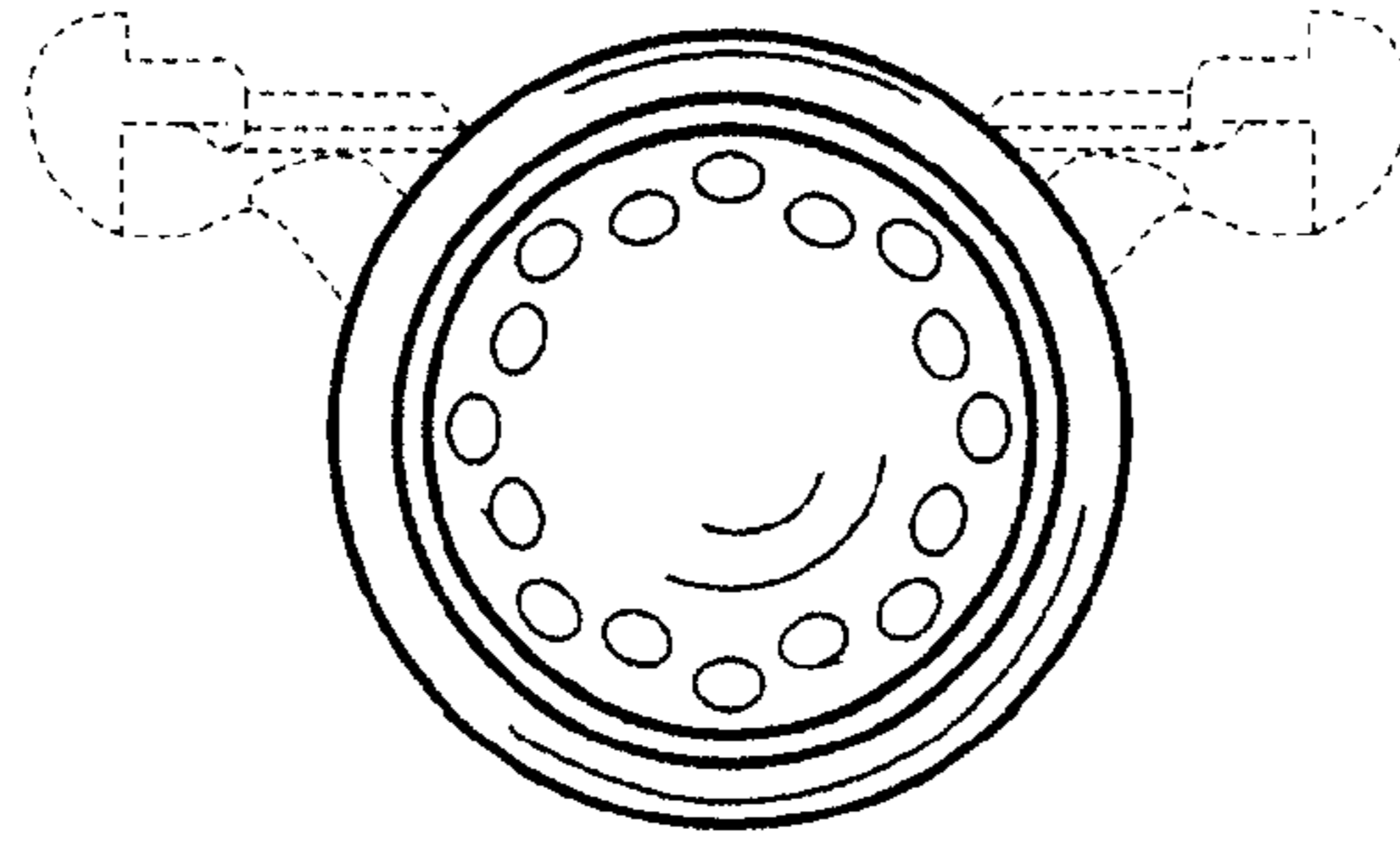


Fig. 6

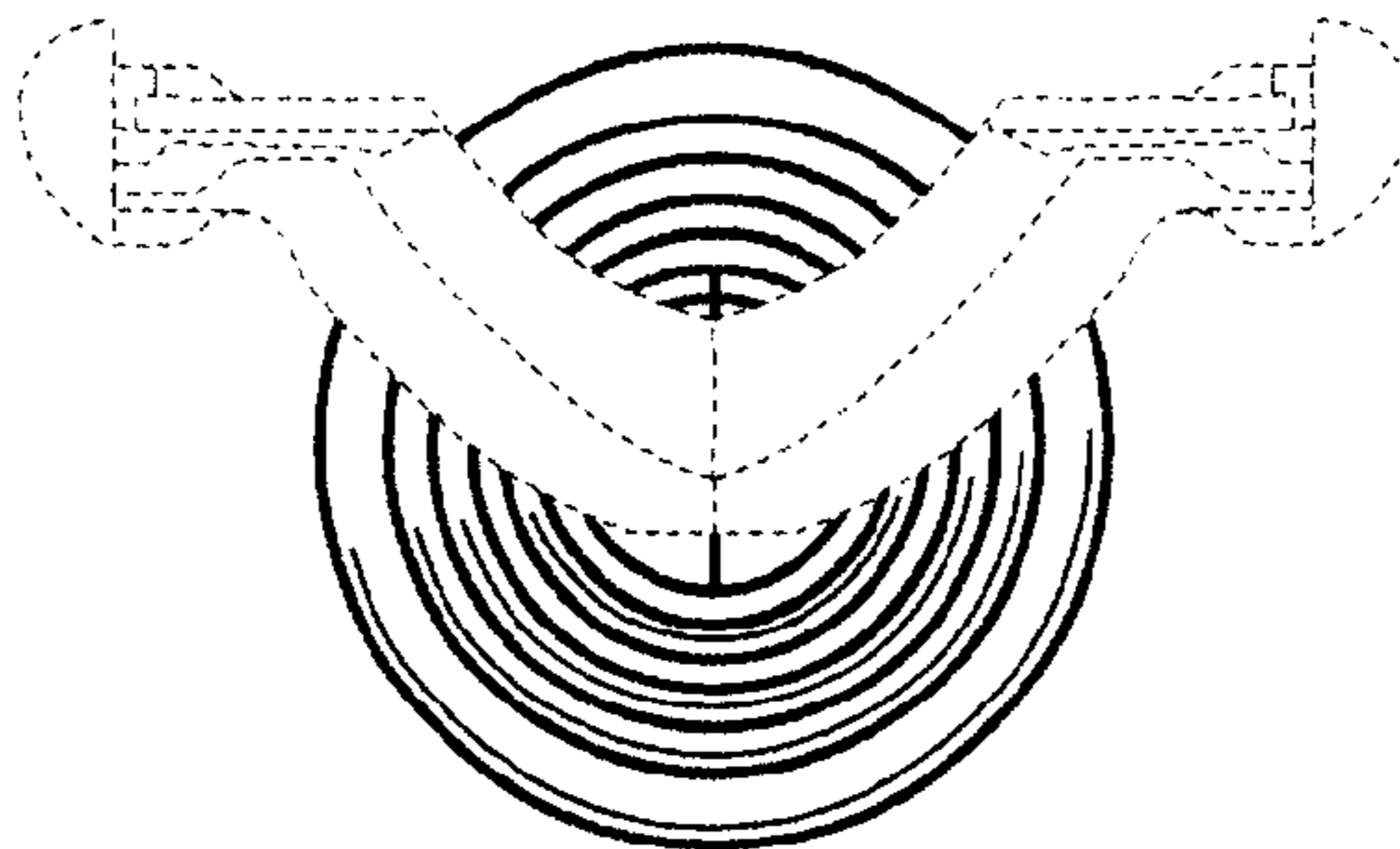


Fig. 7