



US00D485011S

(12) **United States Design Patent** (10) **Patent No.:** **US D485,011 S**
Nam (45) **Date of Patent:** **** Jan. 6, 2004**

(54) **HAIR CURLING HEATER**

(76) Inventor: **Cho Ok Nam**, 791-1987, Mia-1Dong, Kangbuck-Gu, Seoul (KR)

(**) Term: **14 Years**

(21) Appl. No.: **29/158,909**

(22) Filed: **Jun. 6, 2002**

(51) **LOC (7) Cl.** **28-03**

(52) **U.S. Cl.** **D28/35**

(58) **Field of Search** D28/35; 132/223-225, 132/269, 271; 219/222, 225

(56) **References Cited**

U.S. PATENT DOCUMENTS

D411,333 S * 6/1999 Smal D28/35
D424,742 S * 5/2000 Hirata D28/35

FOREIGN PATENT DOCUMENTS

JP 2002-51825 * 2/2002 D28/35

OTHER PUBLICATIONS

Modern Salon, Global Beauty Network Debuts, Aug. 2000, p. M-26.

Color Photograph of packaging for CHI ceramic hairstyling iron.

* cited by examiner

Primary Examiner—Jennifer Rivard
(74) *Attorney, Agent, or Firm*—Steven N. Fox, Esq.

(57) **CLAIM**

The ornamental design for a hair curling heater, as shown and described.

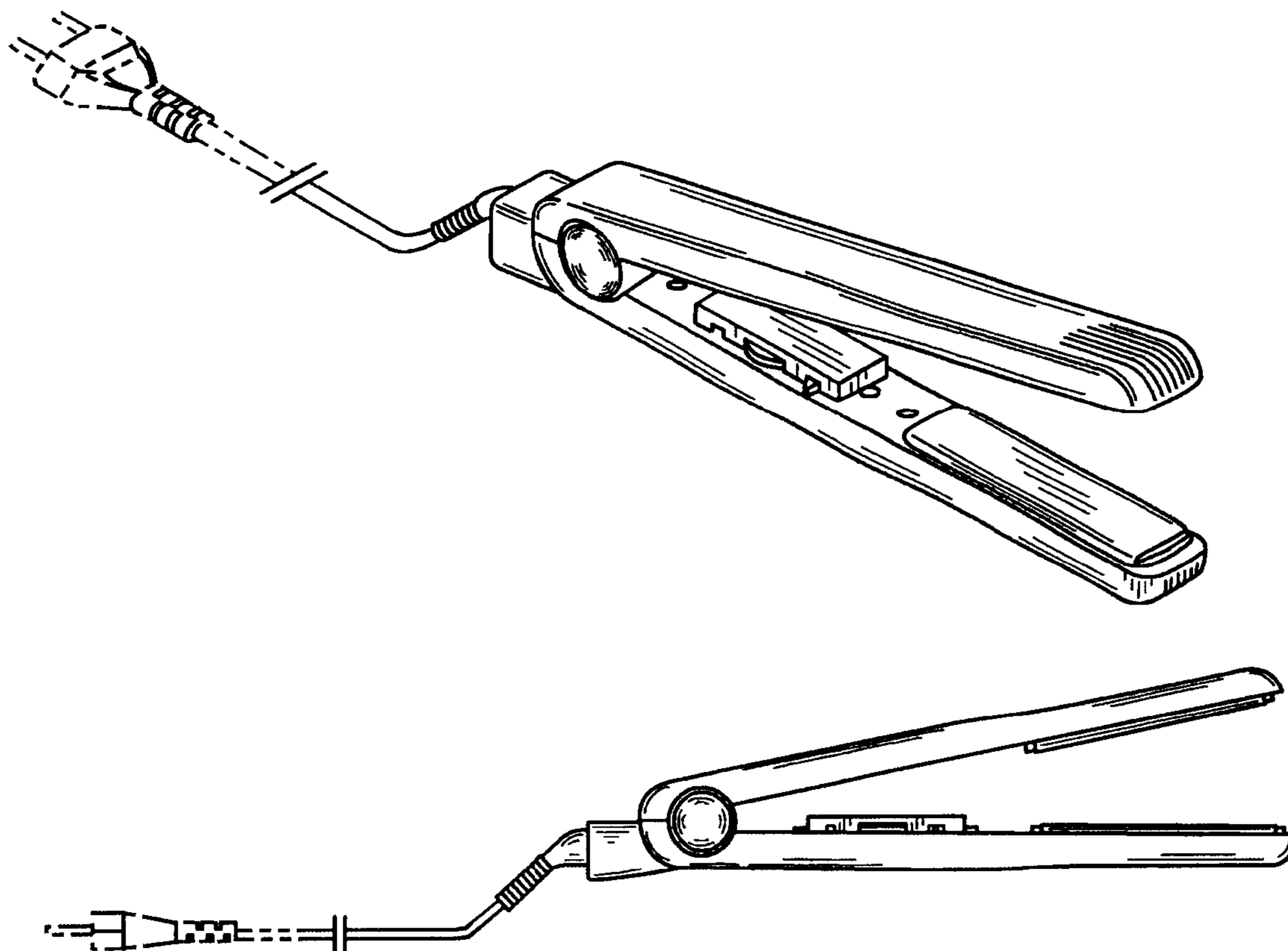
DESCRIPTION

FIG. 1 is a perspective view of the hair curling heater; FIG. 2 is a front elevation thereof; FIG. 3 is a rear elevation thereof; FIG. 4 is a left side view thereof; FIG. 5 is a right side view thereof; FIG. 6 is a top view thereof; and, FIG. 7 is a bottom view thereof.

The electrical cord is shown broken away to indicate indeterminate length.

The broken line environmental showing is for illustrative purposes only and forms no part of the claimed design.

1 Claim, 2 Drawing Sheets



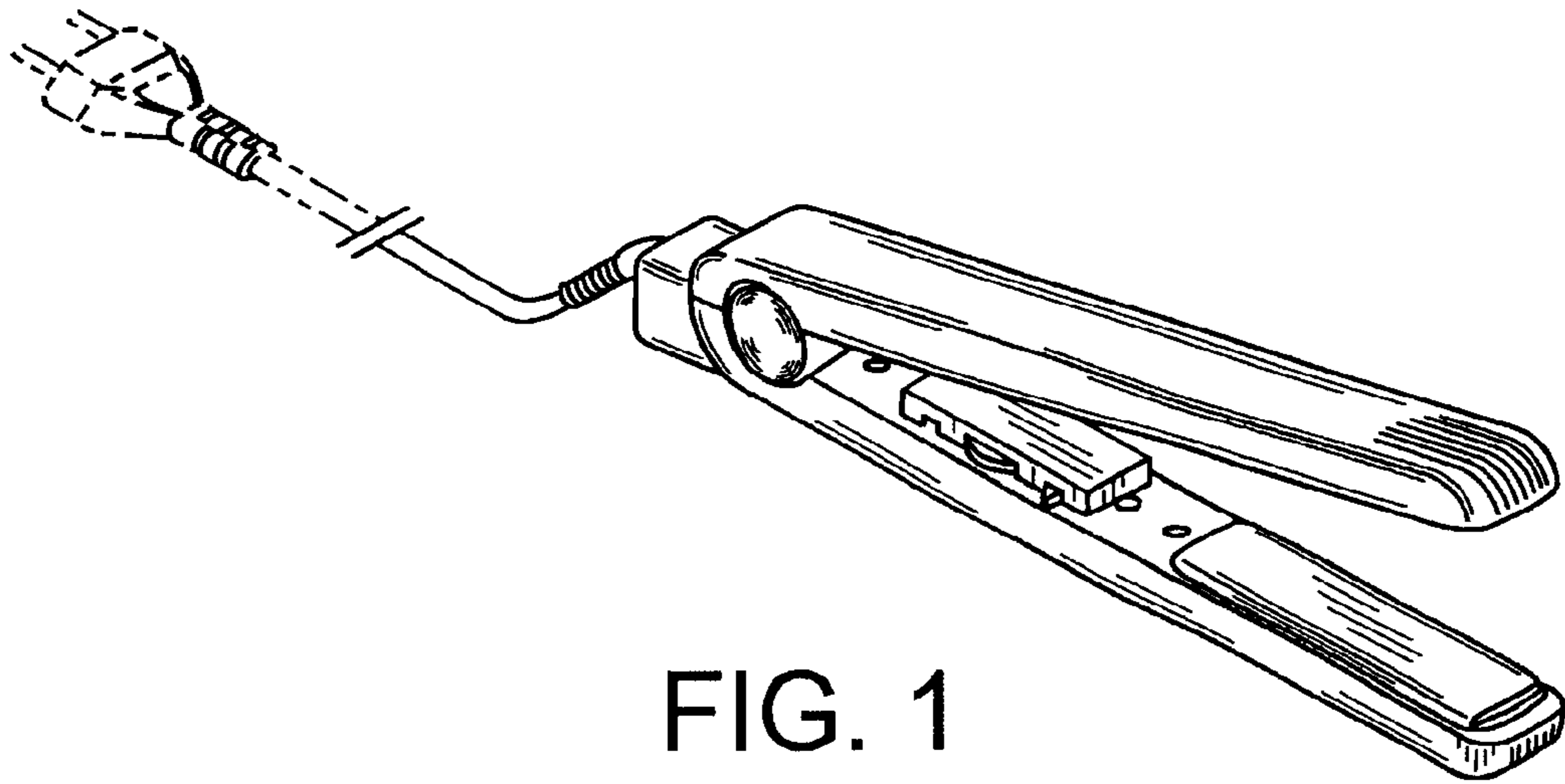


FIG. 1



FIG. 2



FIG. 3

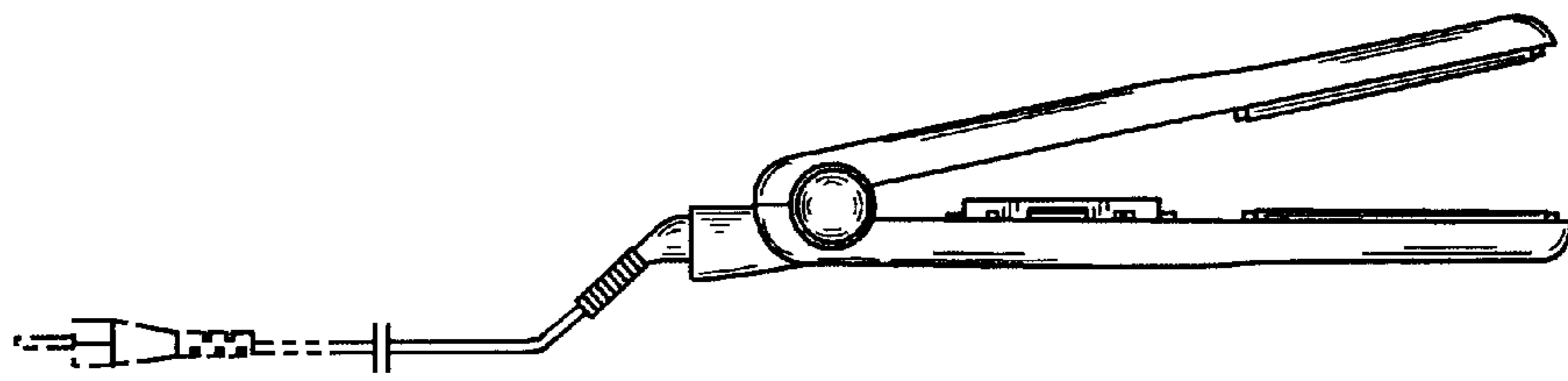


FIG. 4

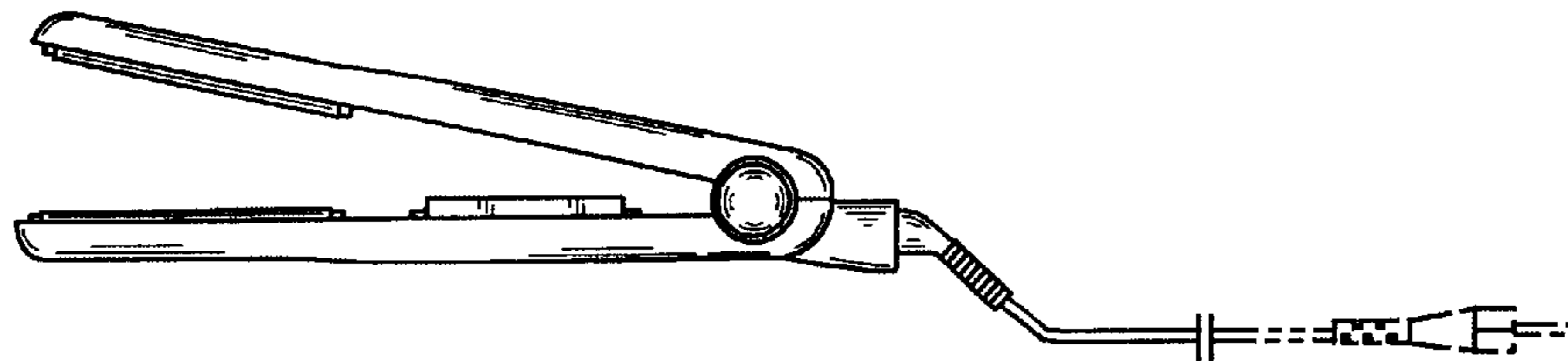


FIG. 5

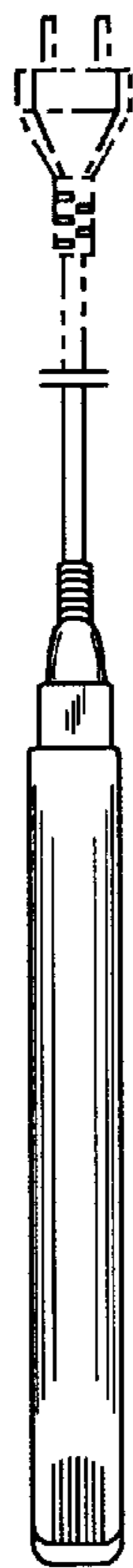


FIG. 6



FIG. 7