



US00D485004S

(12) **United States Design Patent**  
**Olson**

(10) **Patent No.:** **US D485,004 S**

(45) **Date of Patent:** **\*\* Jan. 6, 2004**

(54) **MOTION LAMP**

D471,663 S \* 3/2003 Olson ..... D26/104

(75) Inventor: **Karen Olson**, Huntington Station, NY (US)

(73) Assignee: **Multi Media Electronics, Inc.**, Farmingdale, NY (US)

(\* ) Notice: This patent is subject to a terminal disclaimer.

(\*\*) Term: **14 Years**

(21) Appl. No.: **29/168,518**

(22) Filed: **Oct. 2, 2002**

(51) **LOC (7) Cl.** ..... **26-03**

(52) **U.S. Cl.** ..... **D26/104**

(58) **Field of Search** ..... D26/93-112, 52; 362/410-414, 101, 96, 276, 806, 811

(56) **References Cited**

**U.S. PATENT DOCUMENTS**

D71,662 S	12/1926	DeVilbiss	
3,387,396 A	6/1968	Smith	
D377,229 S	* 1/1997	Shalvi	..... D26/104 X
D426,667 S	* 6/2000	Kaviani	..... D26/110
D427,709 S	7/2000	Lee et al.	
D437,965 S	2/2001	Diviak, Sr.	
D438,329 S	2/2001	Diviak, Sr.	

**OTHER PUBLICATIONS**

Taiwan Lighting May 2000, Winlites Ind. Co., Ltd. lamp No. WT10055 on p. 255.\*

“Blob Lamp”, Kenart Co., Ltd.

“Peach Motion Lamp”, Carlisle Company.

“Creative Motion Lamp”, Lipan Industrial Co., Ltd.

“Stardust Lamp”, Spencer’s Gifts.

\* cited by examiner

*Primary Examiner*—Alan P. Douglas

*Assistant Examiner*—Linda Brooks

(74) *Attorney, Agent, or Firm*—Dilworth & Barrese, LLP

(57) **CLAIM**

The ornamental design for a motion lamp, as shown and described.

**DESCRIPTION**

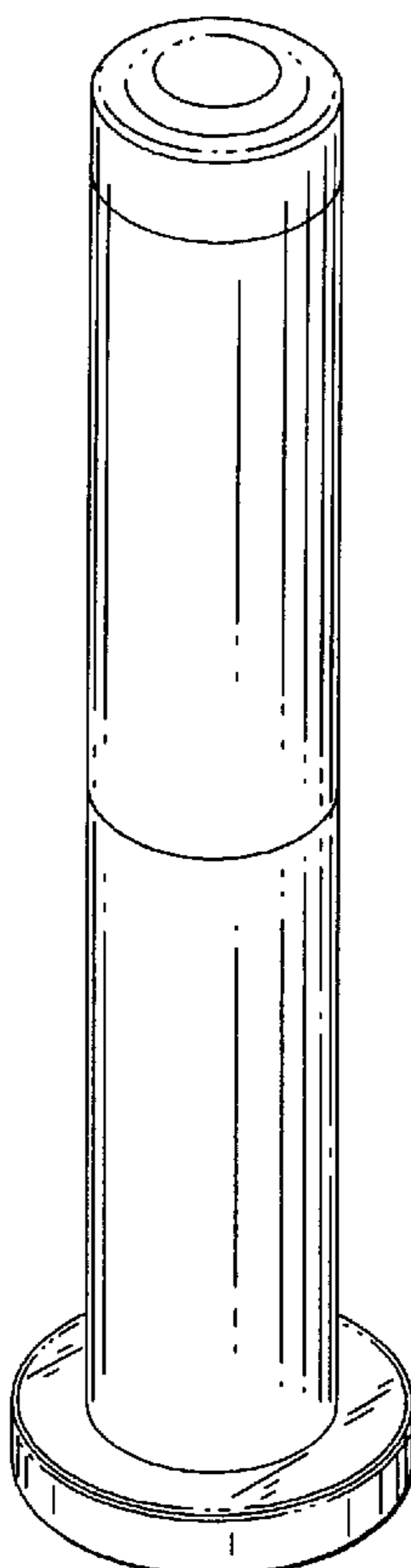
FIG. 1 is a front elevational view of the motion lamp, which is a mirror image of a rear and side elevational view (not shown);

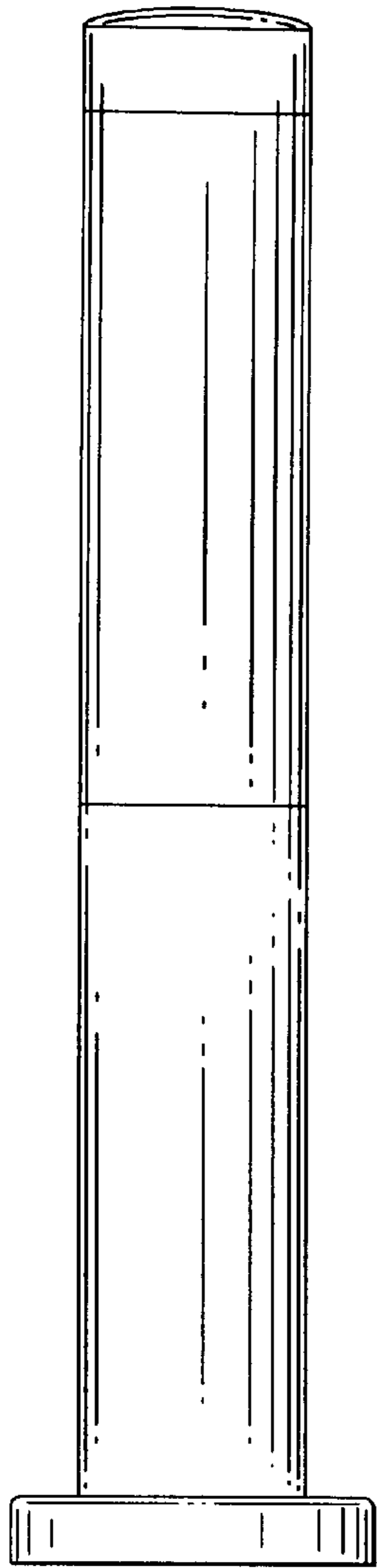
FIG. 2 is a perspective view of the motion lamp of FIG. 1;

FIG. 3 is a top plan view of the motion lamp of FIG. 1; and,

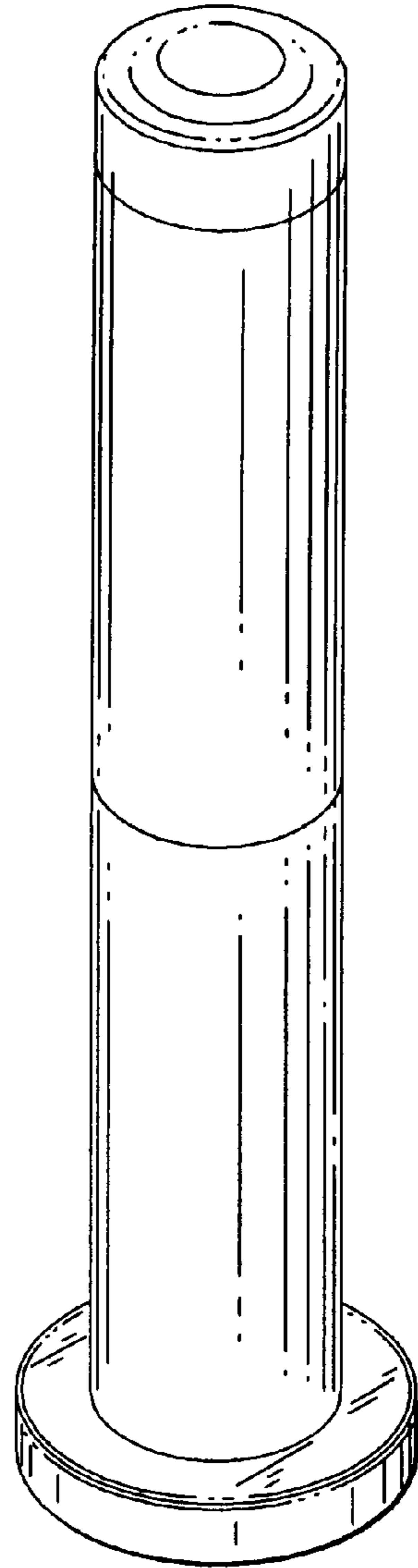
FIG. 4 is a bottom plan view of the motion lamp of FIG. 1.

**1 Claim, 1 Drawing Sheet**

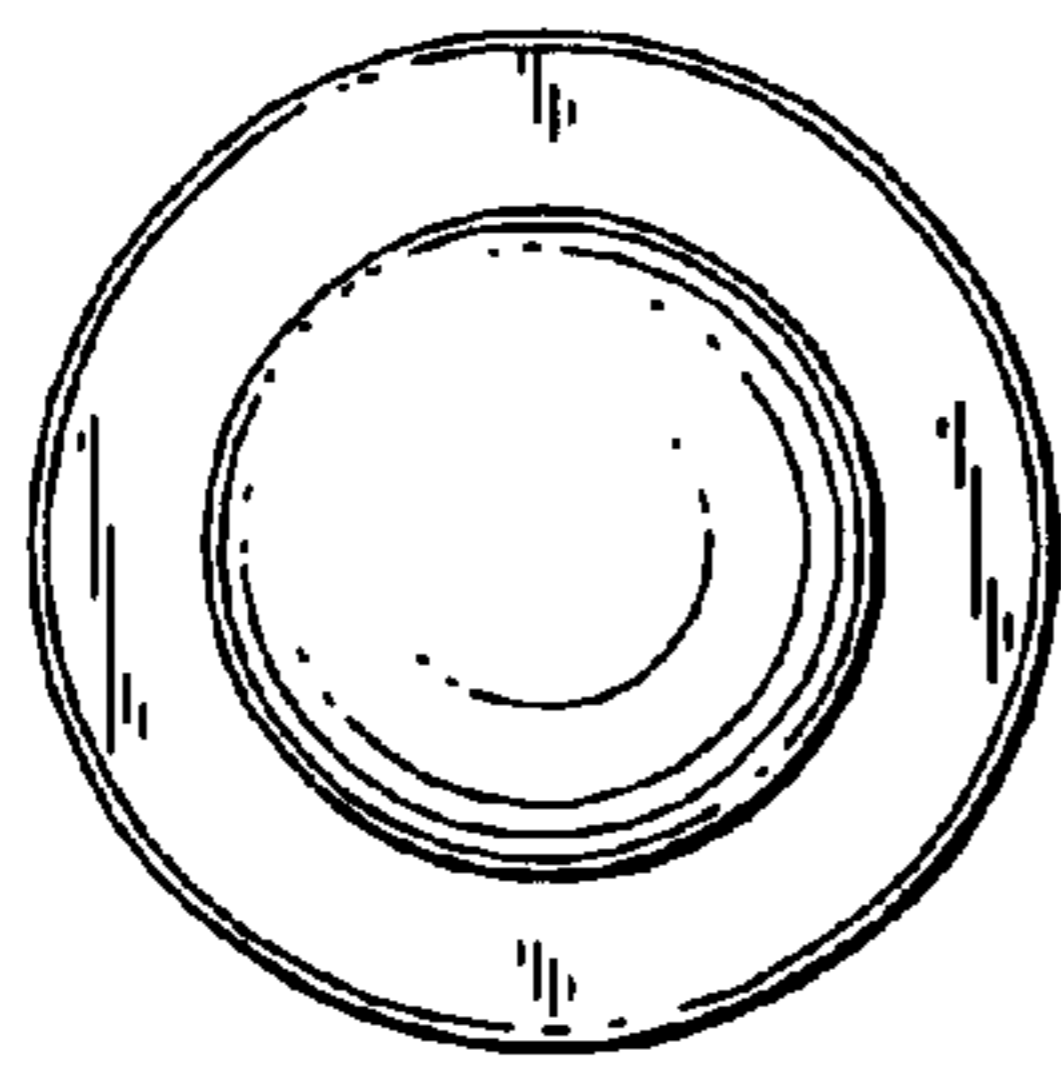




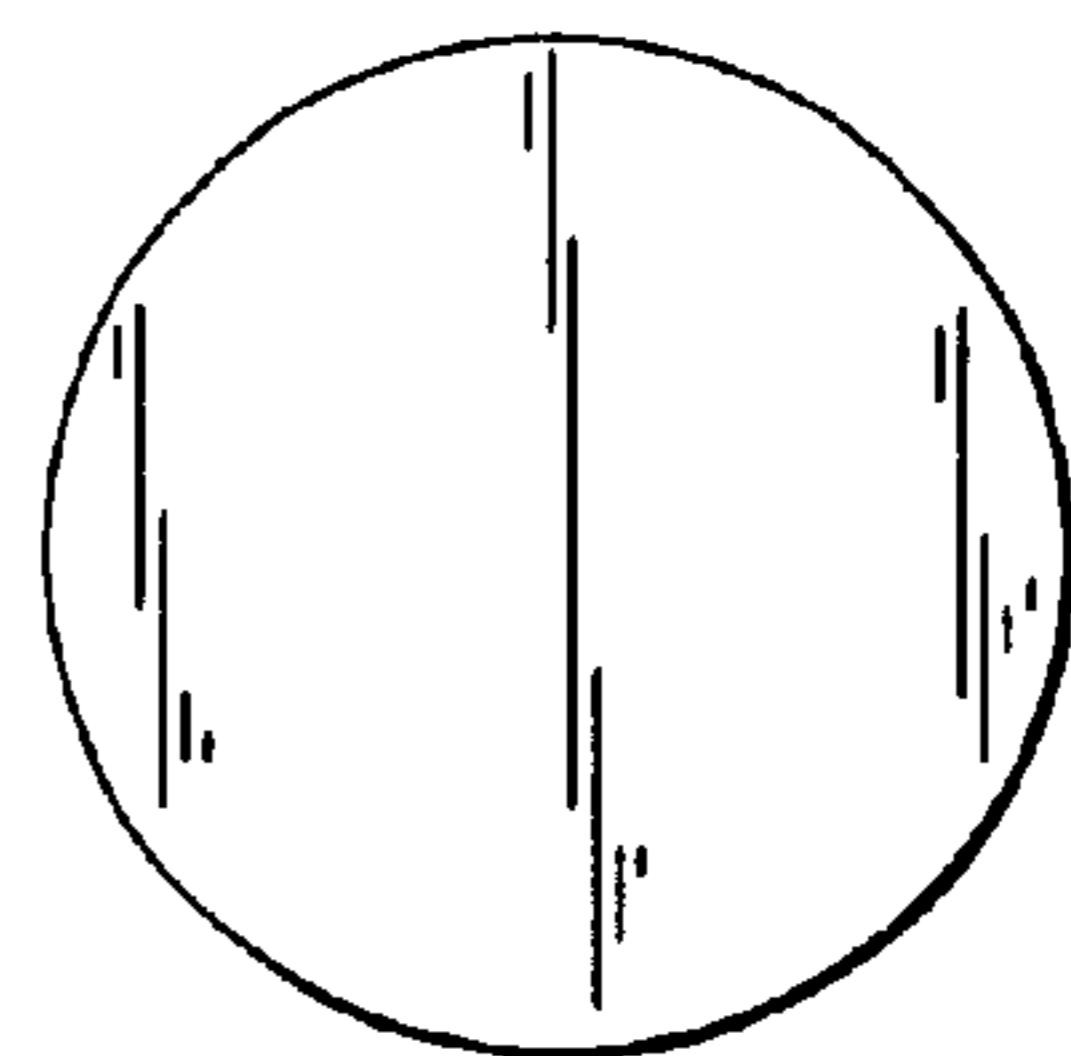
*FIG. 1*



*FIG. 2*



*FIG. 3*



*FIG. 4*