



US00D485002S

(12) **United States Design Patent**  
**Lin**

(10) **Patent No.:** **US D485,002 S**

(45) **Date of Patent:** **\*\* Jan. 6, 2004**

(54) **CEILING LAMP**

(76) Inventor: **Chi Kuang Lin**, 4, Lane 160, Chung Shan Road, Linkow, Taipei Hsien (TW)

(\*\*) Term: **14 Years**

(21) Appl. No.: **29/178,039**

(22) Filed: **Mar. 21, 2003**

(51) **LOC (7) Cl.** ..... **26-03**

(52) **U.S. Cl.** ..... **D26/85; D26/89**

(58) **Field of Search** ..... D26/59, 72, 73, D26/80-92, 118, 142-144, 148, 149, 152, 153; 362/147, 404-408, 432

(56) **References Cited**

**U.S. PATENT DOCUMENTS**

D97,996 S	*	12/1935	Glatthar et al.	.....	D26/86
D110,505 S	*	7/1938	Stewart	.....	D26/86
D132,865 S	*	6/1942	Drollinger	.....	D14/209
D397,482 S	*	8/1998	Binsukor	.....	D26/85
D406,674 S	*	3/1999	Zuege	.....	D26/85
D444,588 S	*	7/2001	Lin	.....	D26/85
D464,164 S	*	10/2002	Thompson	.....	D26/89

**OTHER PUBLICATIONS**

Sea Gull Lighting Products, Inc. Catalog 2001; p. 206 item#7517-98.\*

\* cited by examiner

*Primary Examiner*—Clare E. Heflin

(74) *Attorney, Agent, or Firm*—Troxell Law Office PLLC

(57) **CLAIM**

The ornamental design for a ceiling lamp, as shown and described.

**DESCRIPTION**

FIG. 1 is a front perspective view of a ceiling lamp showing my new design;

FIG. 2 is a front elevational view thereof;

FIG. 3 is a rear elevational view thereof;

FIG. 4 is a left side elevational view thereof;

FIG. 5 is a right side elevational view thereof;

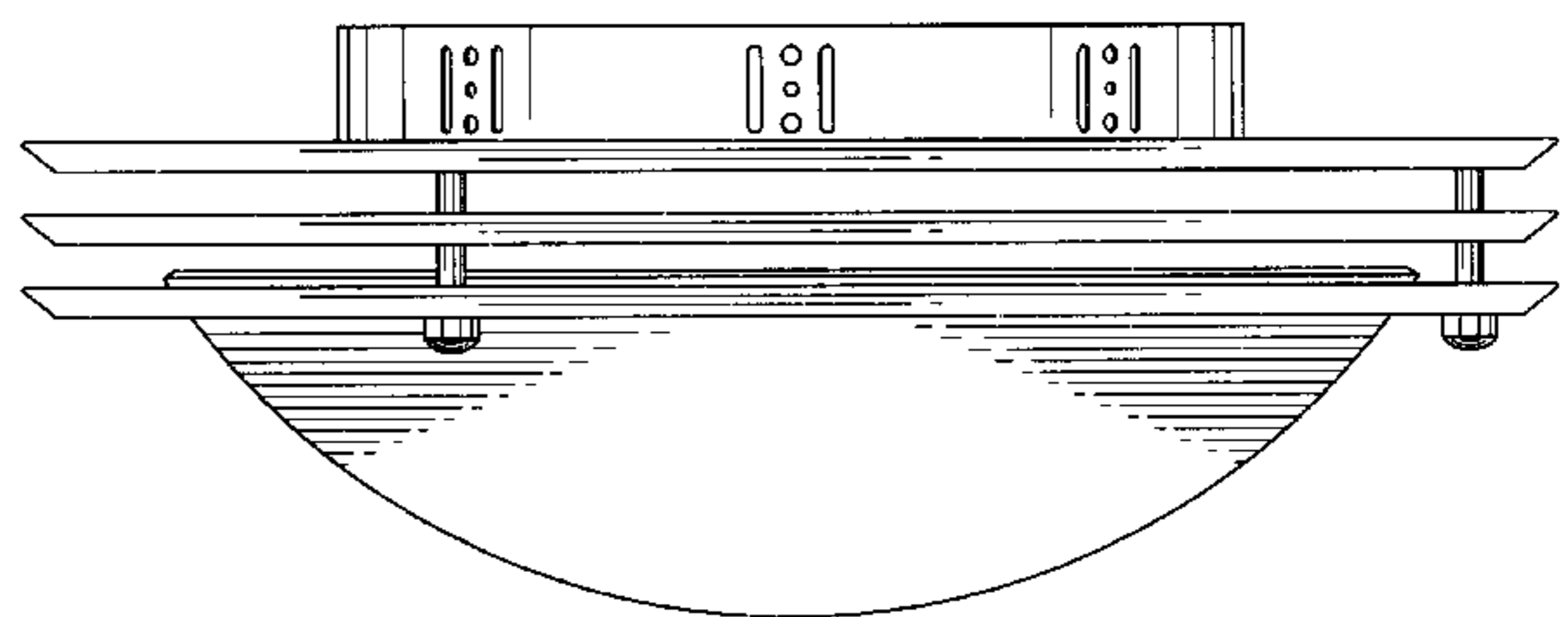
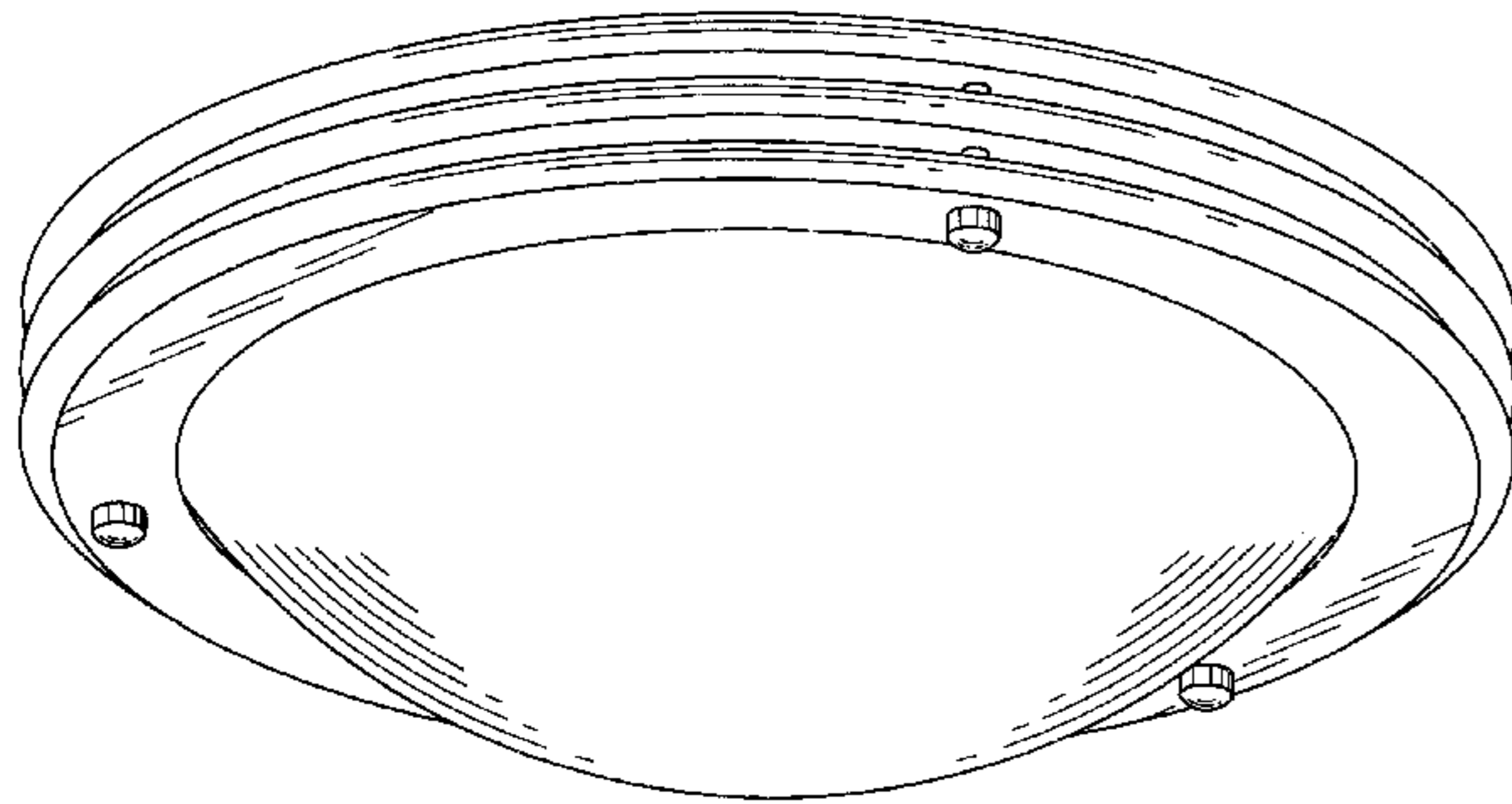
FIG. 6 is a top plan view thereof;

FIG. 7 is a bottom plan view thereof;

FIG. 8 is a front perspective view showing the ceiling lamp with a mounting base shown in broken lines for illustrative purposes and forming no part of the claimed design; and,

FIG. 9 is a front perspective view showing the ceiling lamp with a mounting frame shown in broken lines for illustrative purposes and forming no part of the claimed design.

**1 Claim, 7 Drawing Sheets**



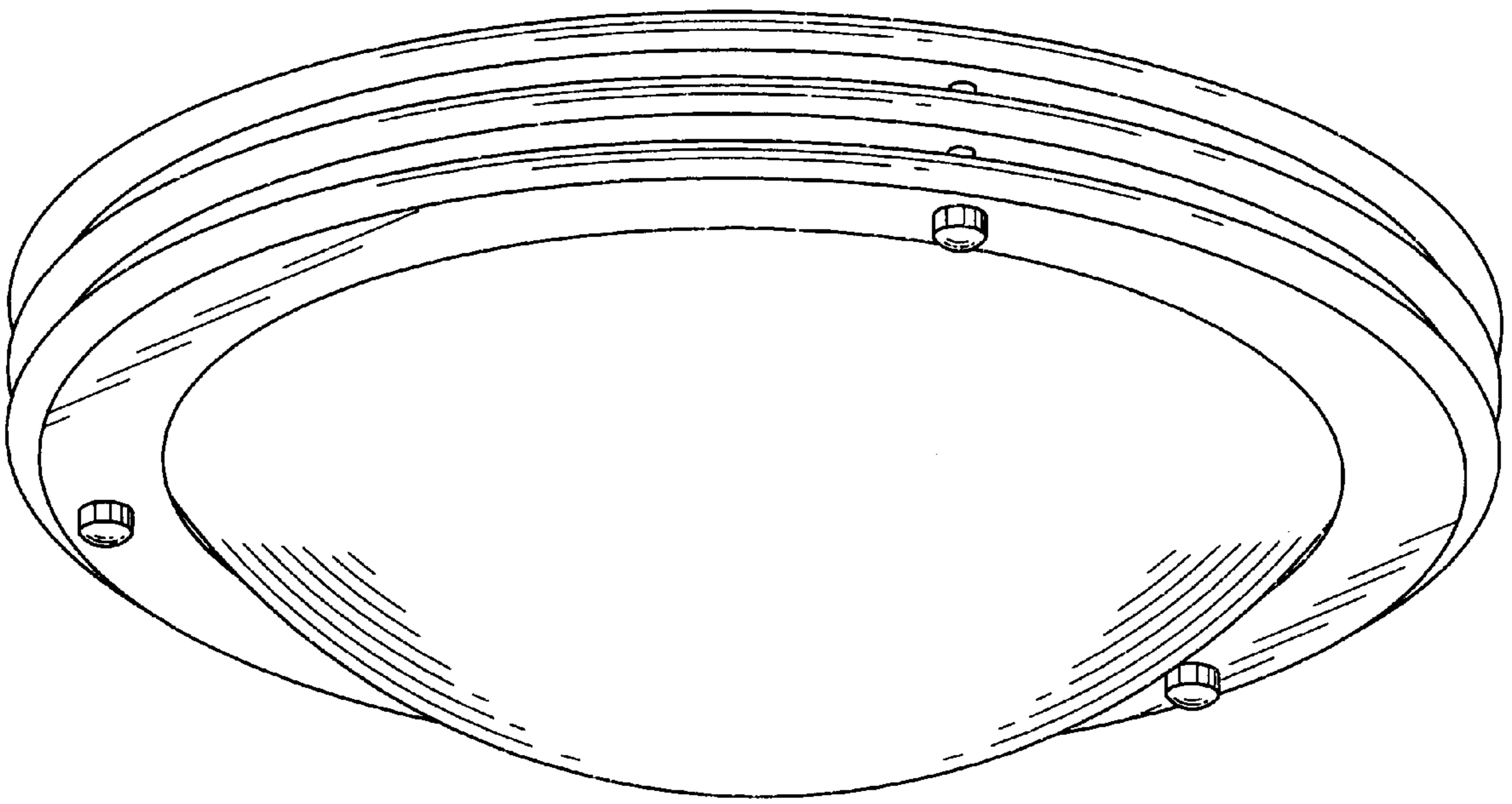


Fig. 1

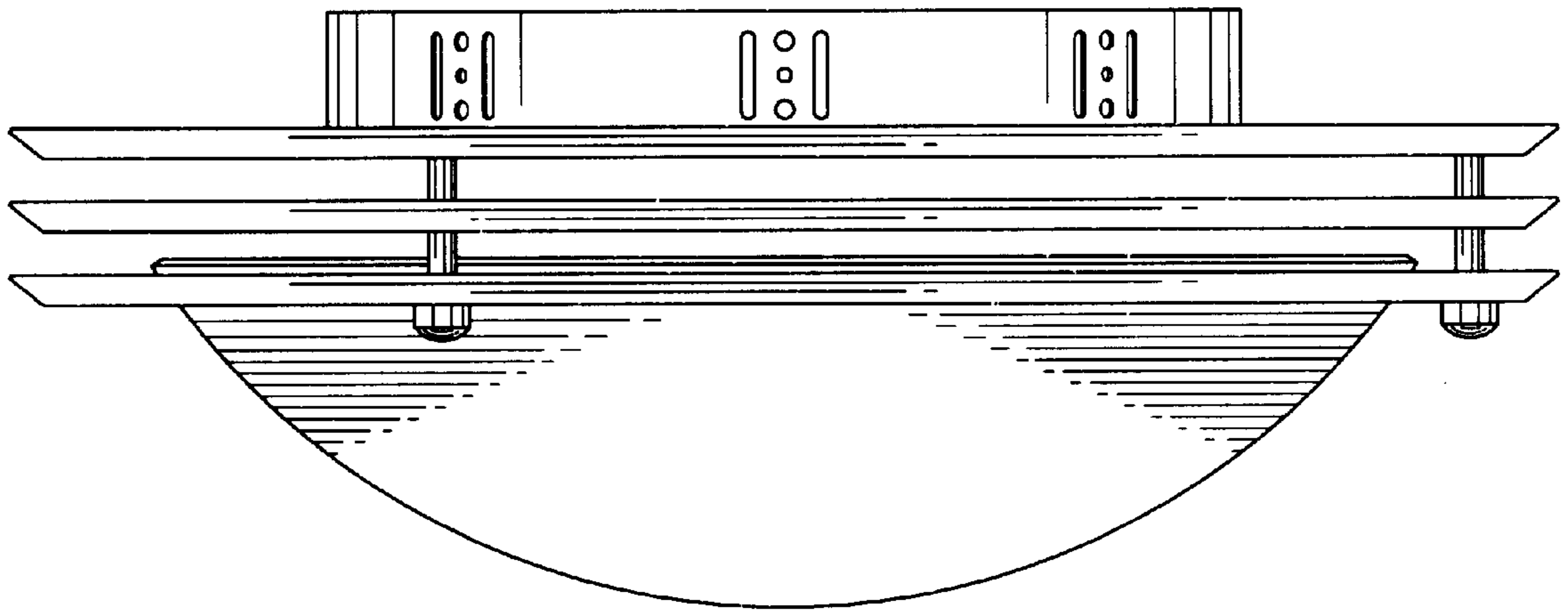


Fig. 2

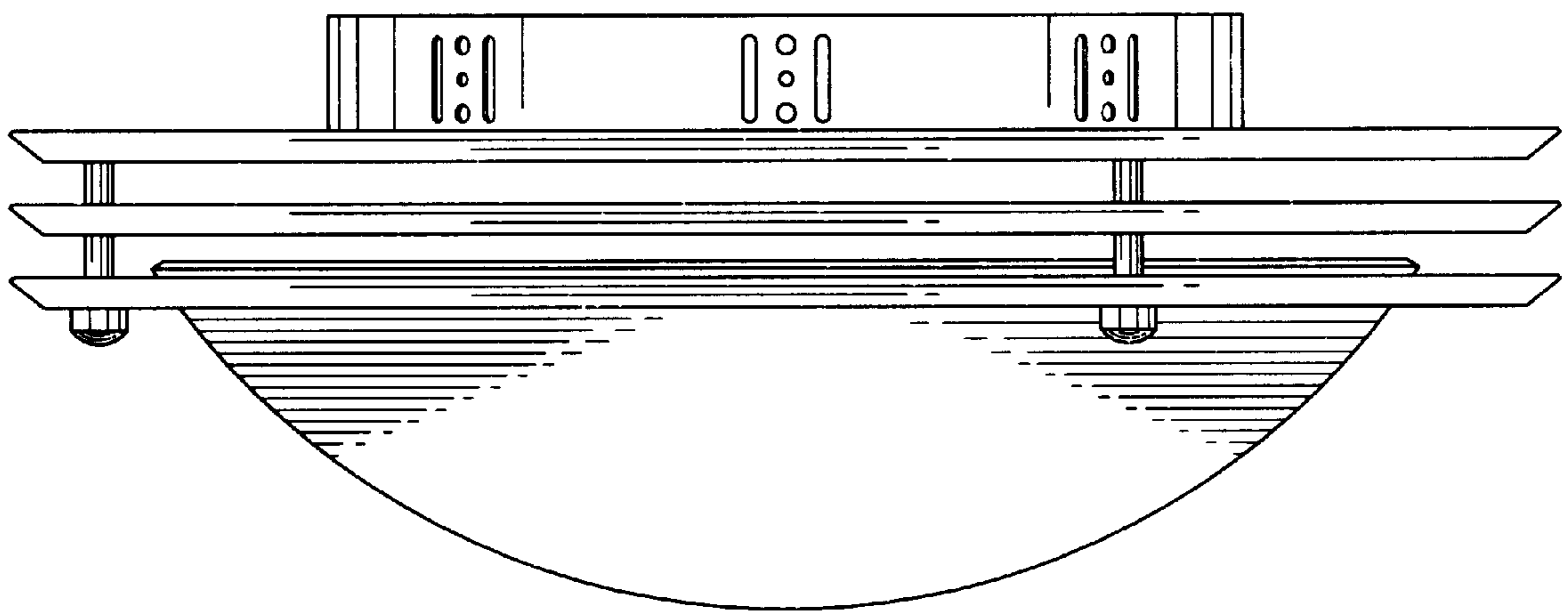


Fig. 3

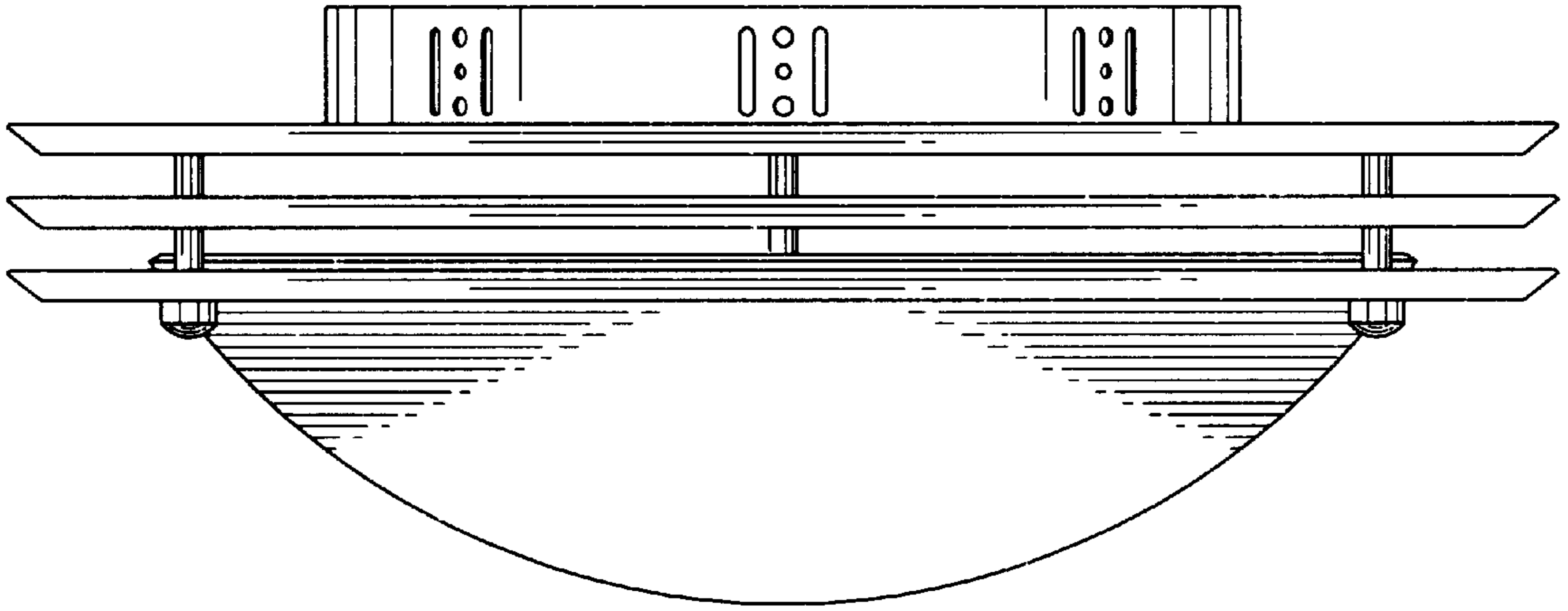


Fig. 4

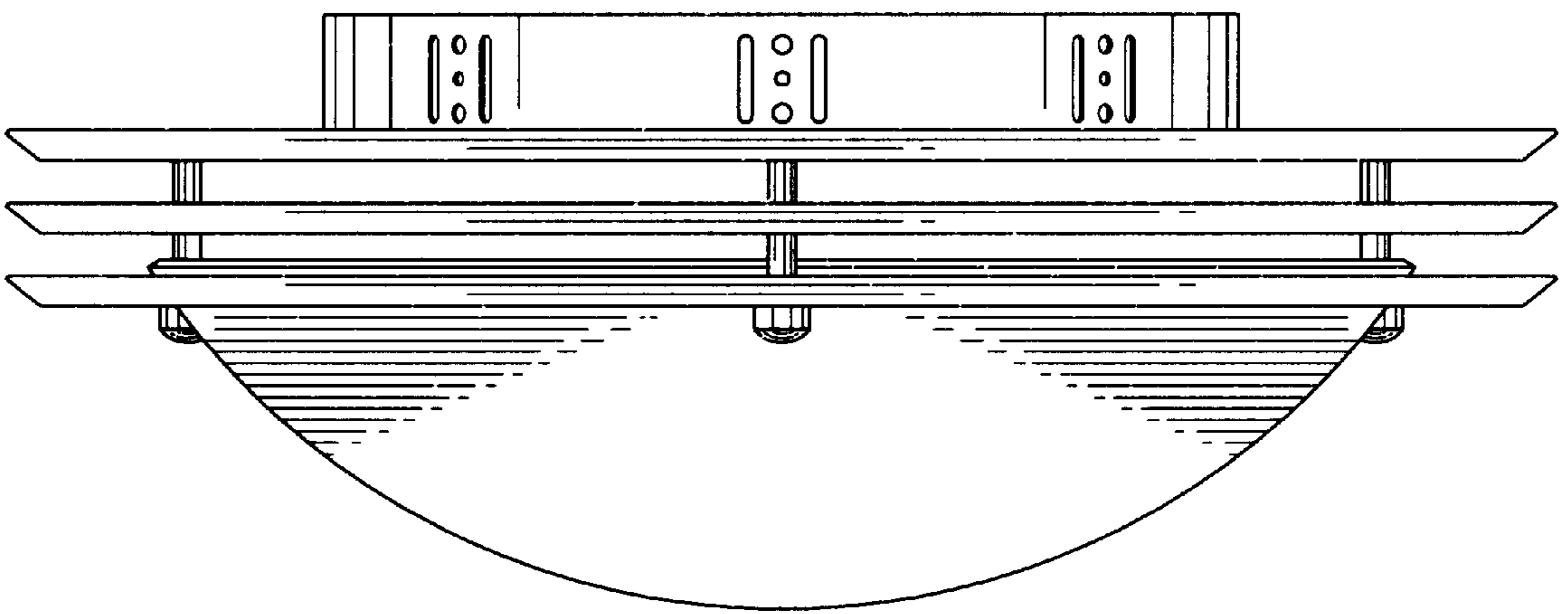


Fig. 5

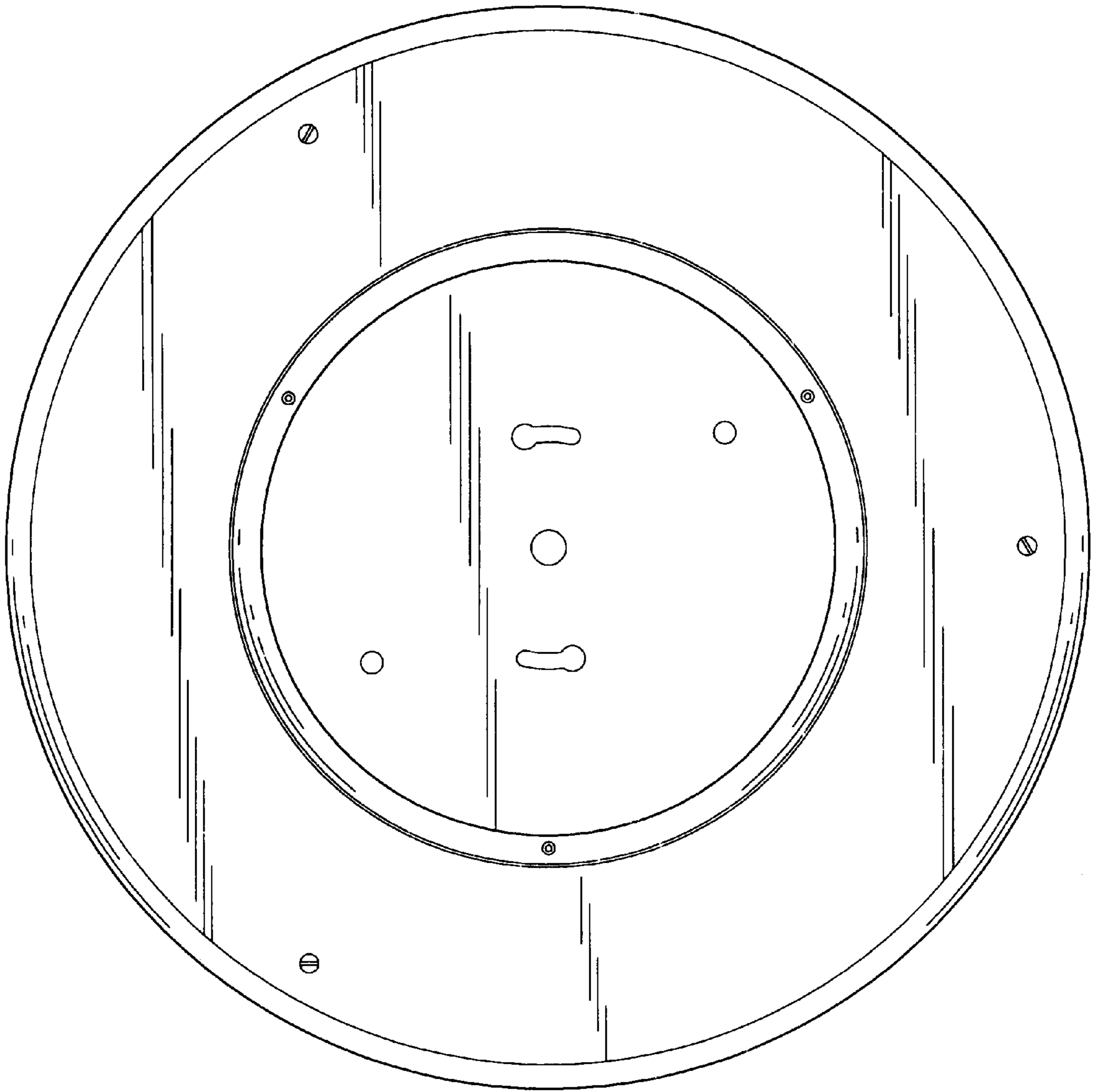


Fig. 6

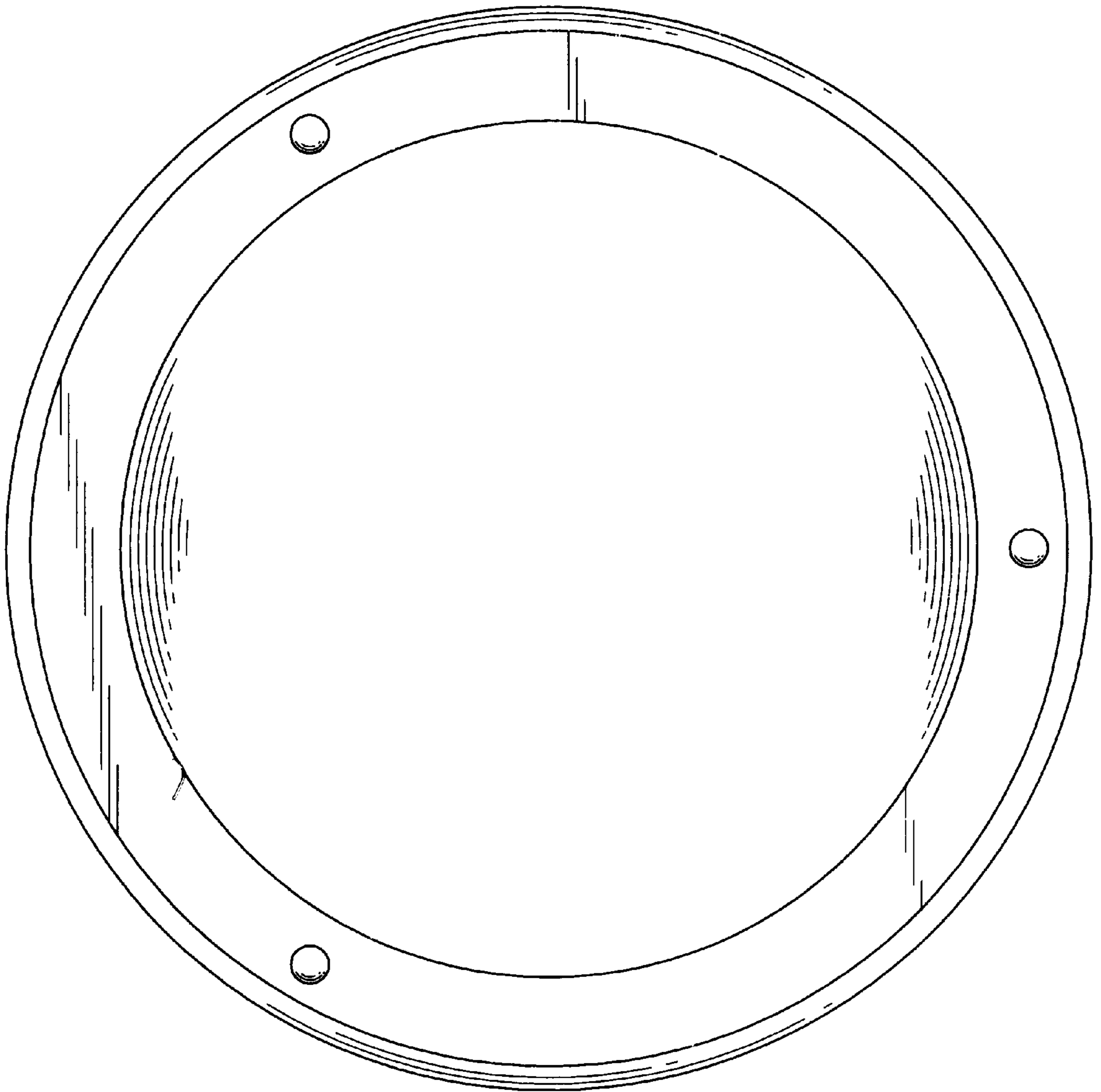


Fig. 7



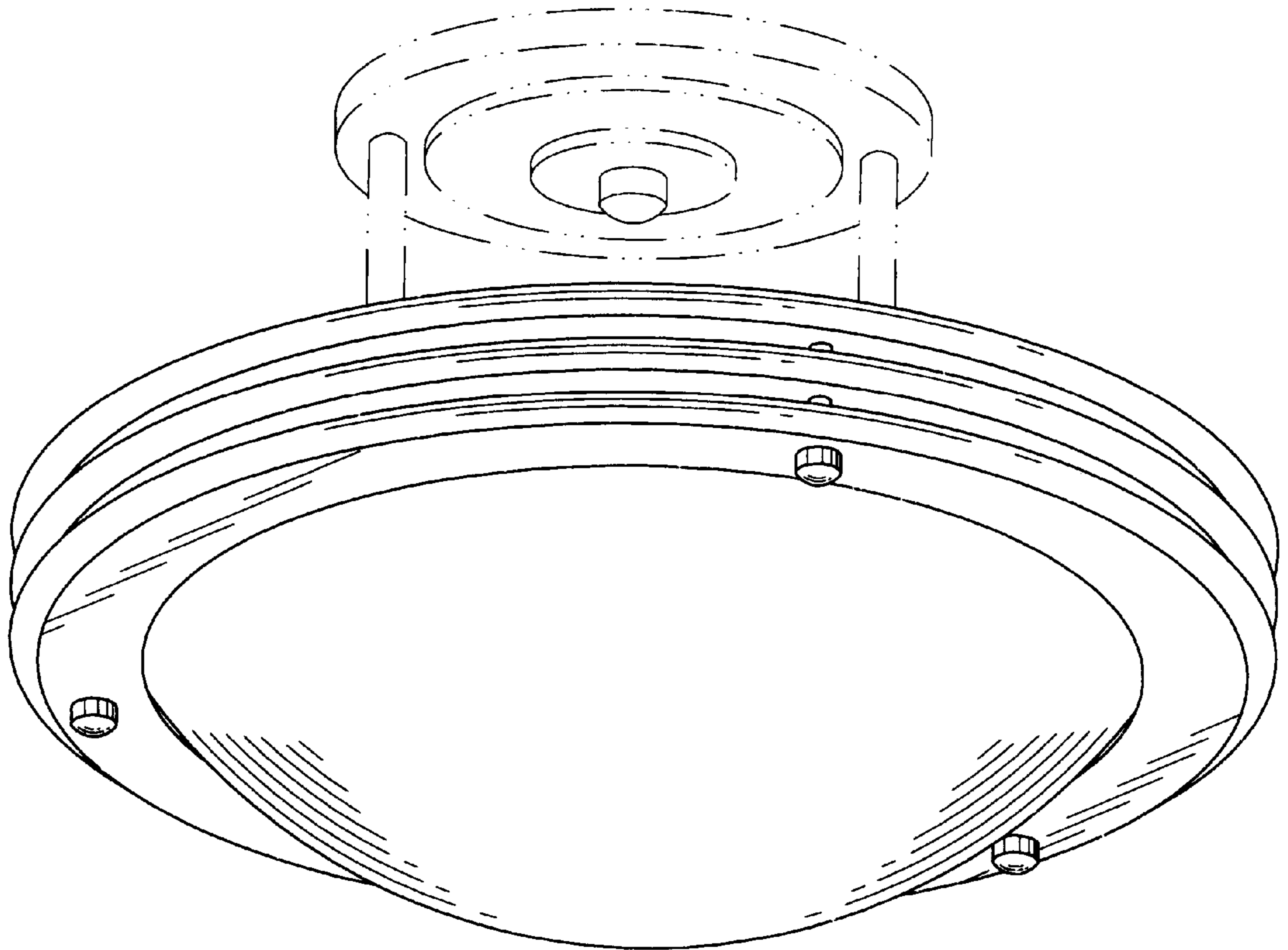


Fig. 8

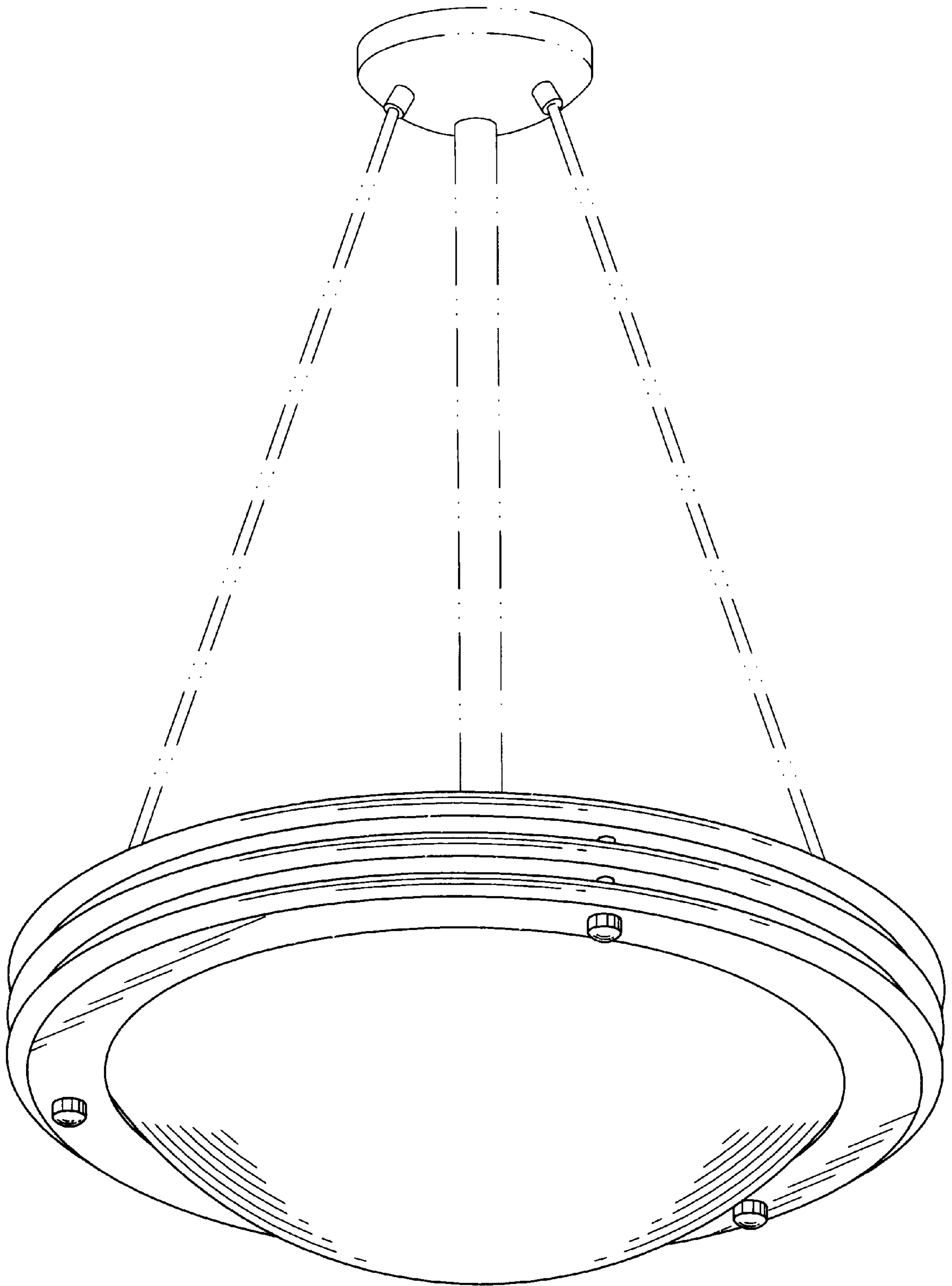


Fig. 9