



US00D485000S

(12) **United States Design Patent**
Chen

(10) **Patent No.:** **US D485,000 S**

(45) **Date of Patent:** **** Jan. 6, 2004**

(54) **SOLAR LIGHT**

(75) **Inventor:** **Chi Gon Chen**, Guang Zhou (CN)

(73) **Assignee:** **International Development Corporation**, Southlake, TX (US)

(**) **Term:** **14 Years**

(21) **Appl. No.:** **29/176,046**

(22) **Filed:** **Feb. 14, 2003**

(51) **LOC (7) Cl.** **26-05**

(52) **U.S. Cl.** **D26/67**

(58) **Field of Search** D26/67-72, 88,
D26/89; 362/153, 153.1, 159, 209, 266,
267, 269, 273, 363, 431, 432, 805

(56) **References Cited**

U.S. PATENT DOCUMENTS

D179,182 S	*	11/1956	Bibbs	D26/67
D338,978 S	*	8/1993	Ewing et al.	D26/67
D339,877 S	*	9/1993	Ewing et al.	D26/67
D346,873 S	*	5/1994	Frost	D26/67
D387,458 S	*	12/1997	Ruggles et al.	D26/67
D421,504 S	*	3/2000	Meck et al.	D26/67
D461,921 S	*	8/2002	Ellis	D26/67
D466,639 S	*	12/2002	Kuelbs	D26/67
D470,963 S	*	2/2003	Cheong	D26/67

OTHER PUBLICATIONS

Thomas Lighting 1996 Catalog; p. 185; outdoor lantern on lower right of page,*
PowerhouseCatalog.com; item B550—Westminster Carriage Light. Found online Apr. 14, 2003.*
Solutions Gift Book 2001; p. 71. “Legacy” solar-powered accent light on top left of page. Found in Google’s online catalog archive.*

* cited by examiner

Primary Examiner—Clare E Heflin

(74) *Attorney, Agent, or Firm*—Gardere Wynne Sewell LLP; Kenneth T. Emanuelson

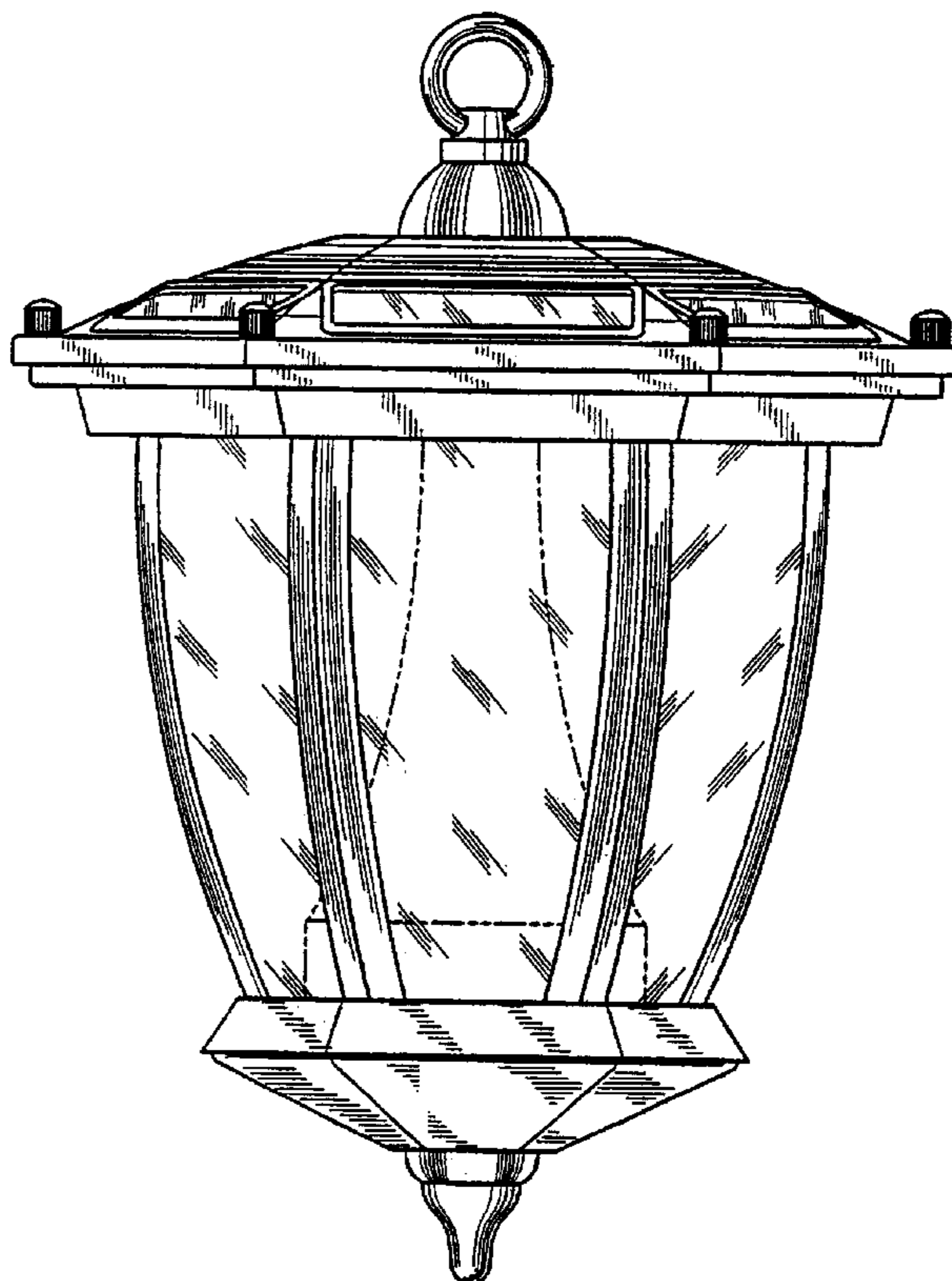
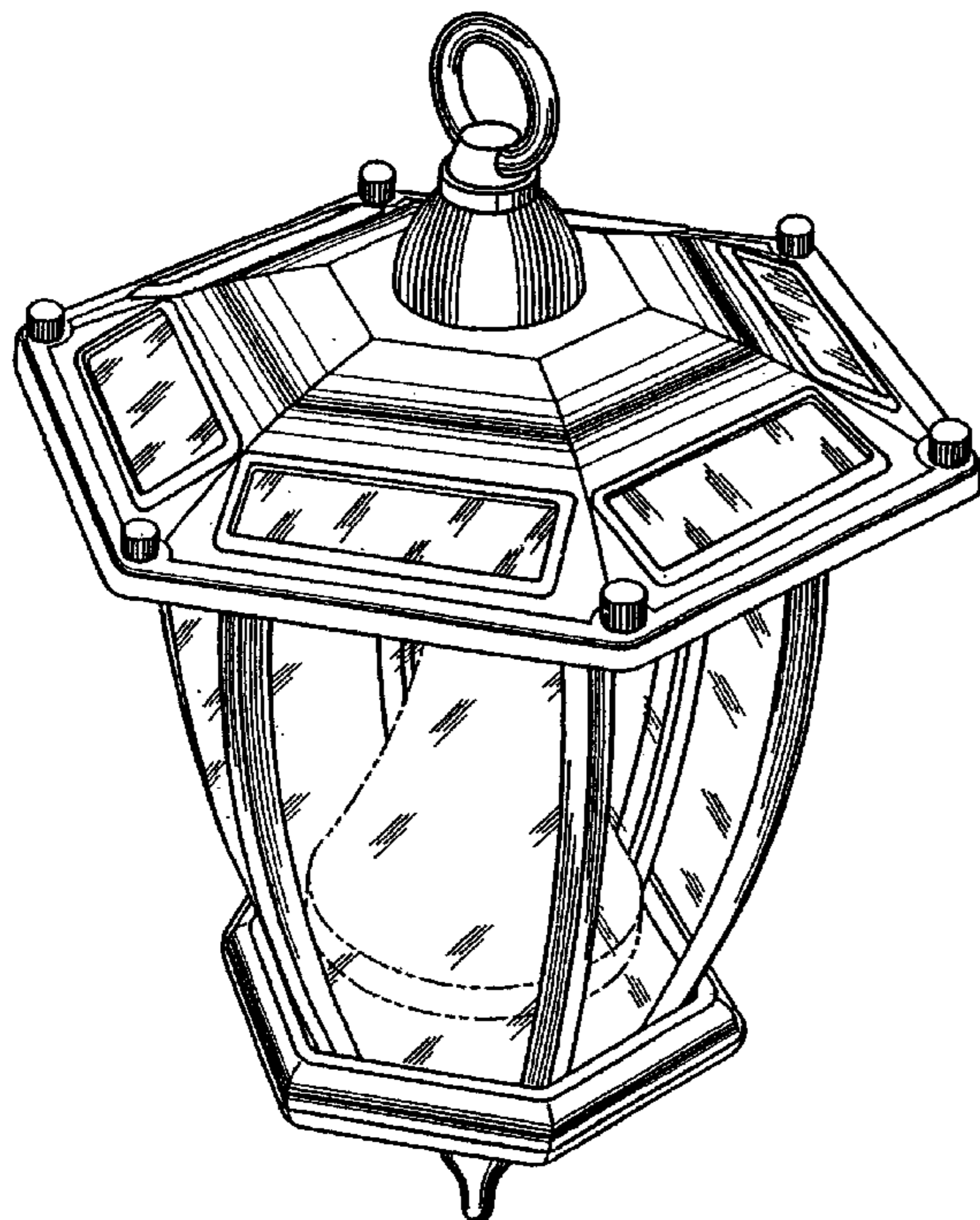
(57) **CLAIM**

The ornamental design for the solar light, as shown and described.

DESCRIPTION

FIG. 1 is a three-dimensional view of a solar light showing my new design;
FIG. 2 is a top view thereof;
FIG. 3 is a bottom view thereof;
FIG. 4 is a right side view thereof; and,
FIG. 5 is a diagonal side view thereof.
The broken lines shown on the drawings are for illustrative purposes only and form no part of the claimed design.

1 Claim, 2 Drawing Sheets



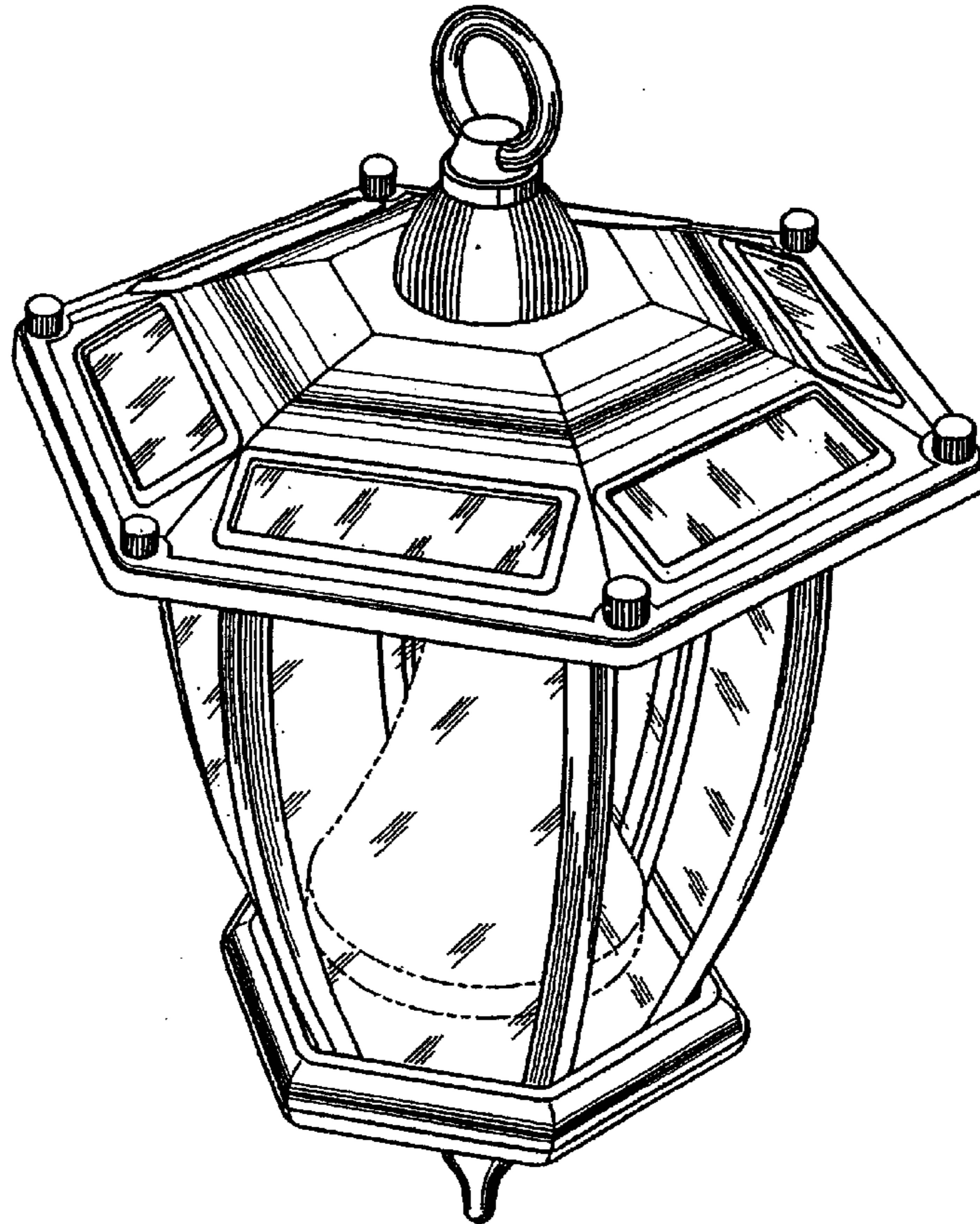


Fig. 1

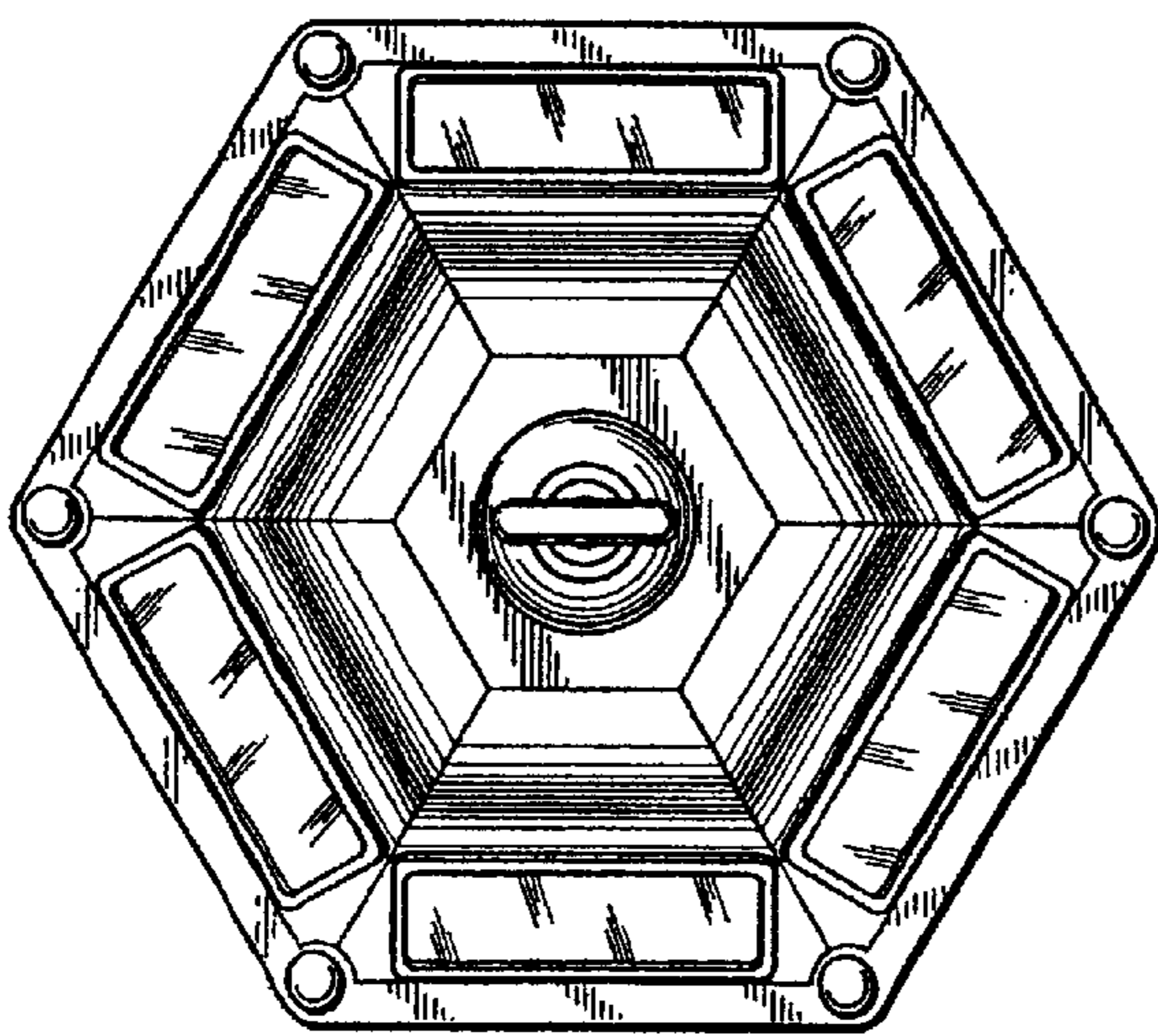


Fig. 2

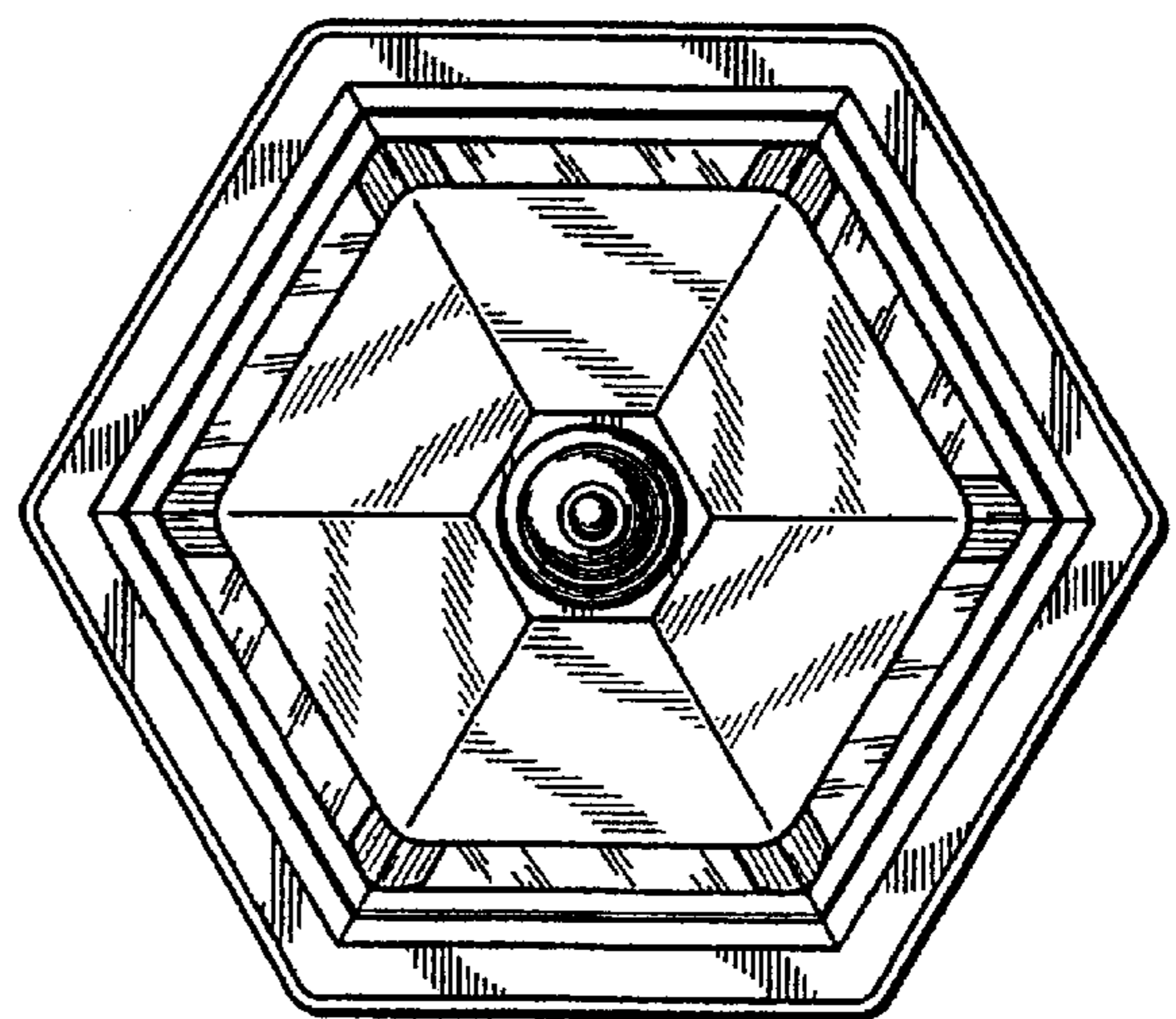


Fig. 3

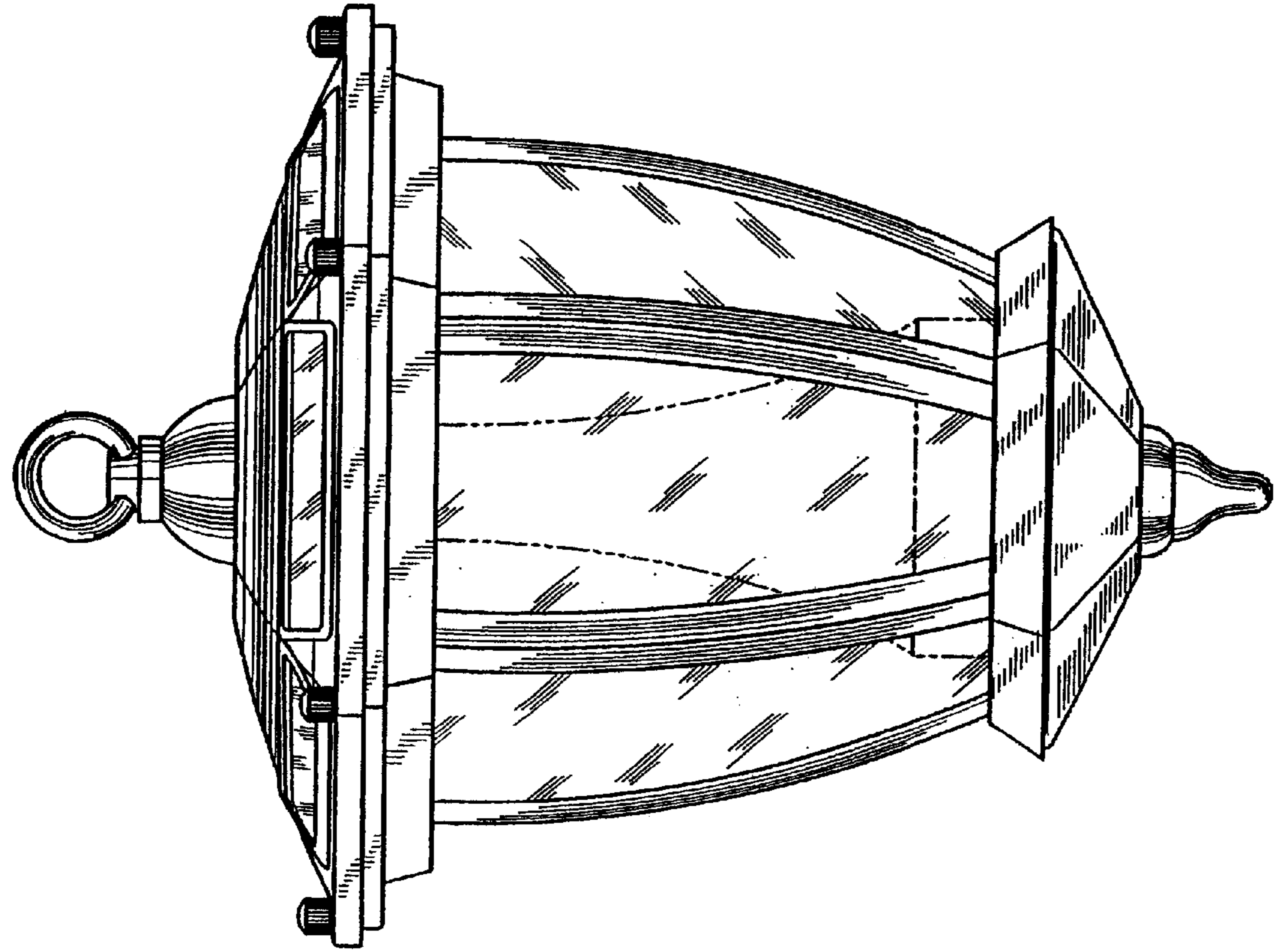


Fig. 5

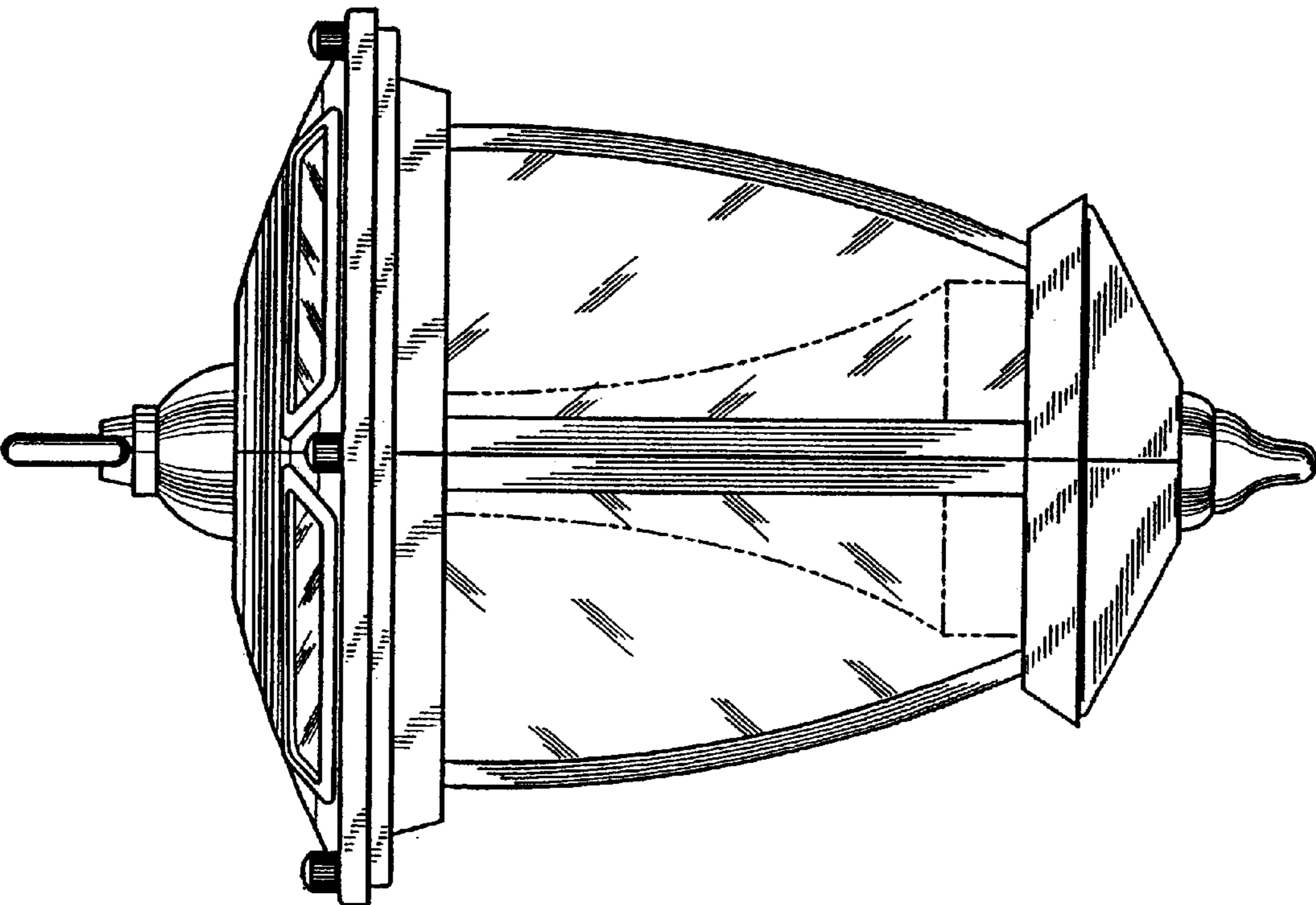


Fig. 4