



US00D484999S

(12) **United States Design Patent**  
**Krieger et al.**

(10) **Patent No.:** **US D484,999 S**

(45) **Date of Patent:** **\*\* Jan. 6, 2004**

(54) **HANGING ARBOR LAMP**

(75) Inventors: **Michael Krieger**, Miami Beach, FL (US); **Kevin Ellsworth**, Hollywood, FL (US)

(73) Assignee: **Vector Products, Inc.**, Ft. Lauderdale, FL (US)

(\*\*) Term: **14 Years**

(21) Appl. No.: **29/174,251**

(22) Filed: **Jan. 15, 2003**

(51) **LOC (7) Cl.** ..... **26-05**

(52) **U.S. Cl.** ..... **D26/67**

(58) **Field of Search** ..... D26/67, 68, 72, D26/80-92, 113, 118, 128, 129; 362/147, 153, 153.1, 159, 363, 367, 368, 404-408, 431, 432

(56) **References Cited**

**U.S. PATENT DOCUMENTS**

D214,186 S	*	5/1969	Meltzer	.....	D26/85
D435,128 S	*	12/2000	Nicholas	.....	D26/67
D465,296 S	*	11/2002	DiPasquale	.....	D26/67
D468,043 S	*	12/2002	Krieger et al.	.....	D26/67
D475,797 S	*	6/2003	Cheong	.....	D26/37

**OTHER PUBLICATIONS**

Rockscapes, Inc. Landscape Illumination Catalog; p. 25; item H98-10-RH.\*

American Lantern catalog No. ALC 687 (date prior to Sep. 2000); p. 127; item#1295.\*

\* cited by examiner

*Primary Examiner*—Clare E Heflin

(74) *Attorney, Agent, or Firm*—Venable LLP; Robert Kinberg

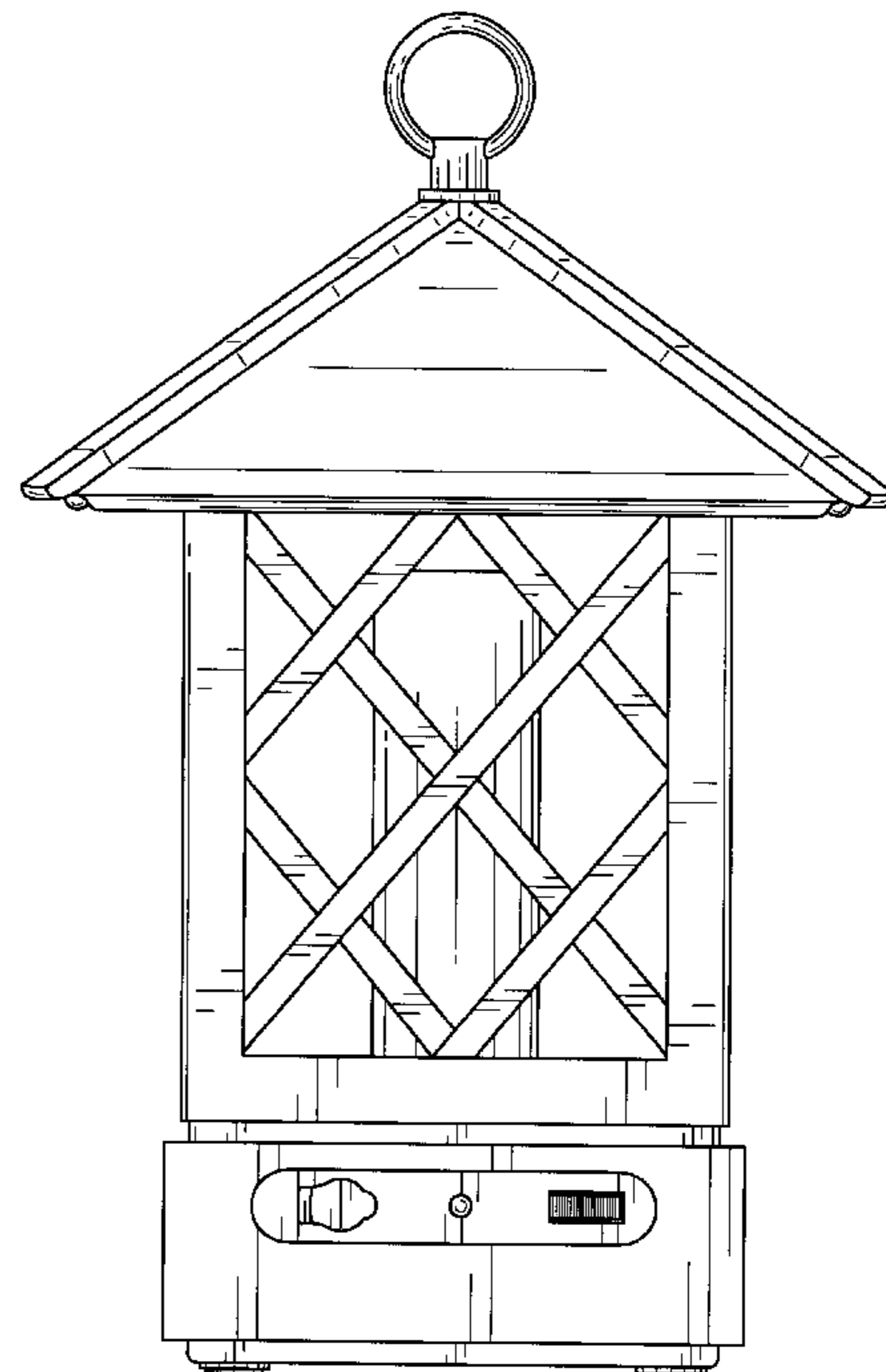
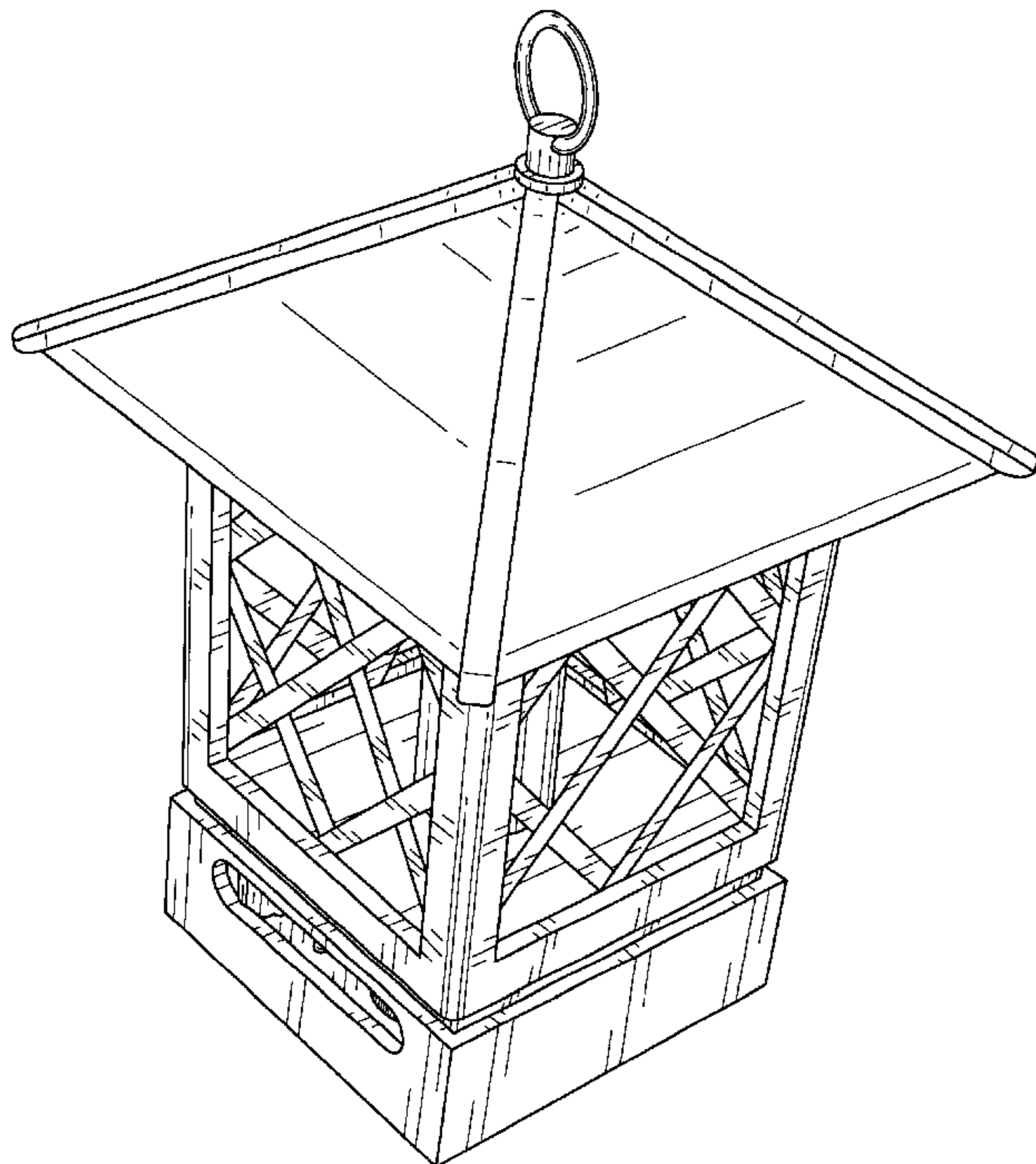
(57) **CLAIM**

The ornamental design for a hanging arbor lamp, as shown and described.

**DESCRIPTION**

FIG. 1 is a perspective view from the front-top-right side of the hanging arbor lamp showing our new design; FIG. 2 is a front view of the design shown in FIG. 1; FIG. 3 is a rear view of the design shown in FIG. 1; FIG. 4 is a left side view of the design shown in FIG. 1; FIG. 5 is a right side view of the design shown in FIG. 1; FIG. 6 is a top view of the design shown in FIG. 1; and, FIG. 7 is a bottom view of the design shown in FIG. 1.

**1 Claim, 7 Drawing Sheets**



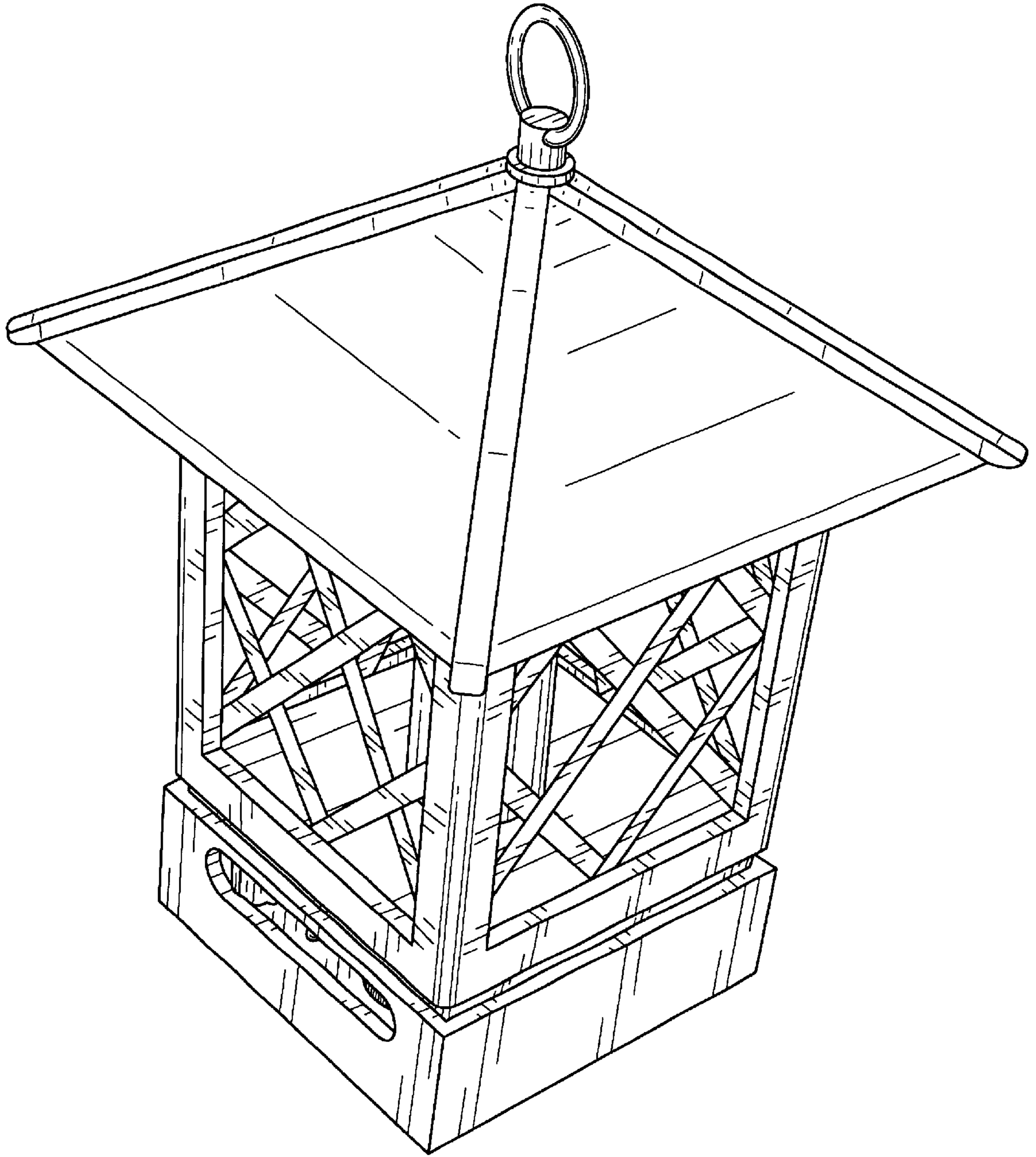


FIG. 1

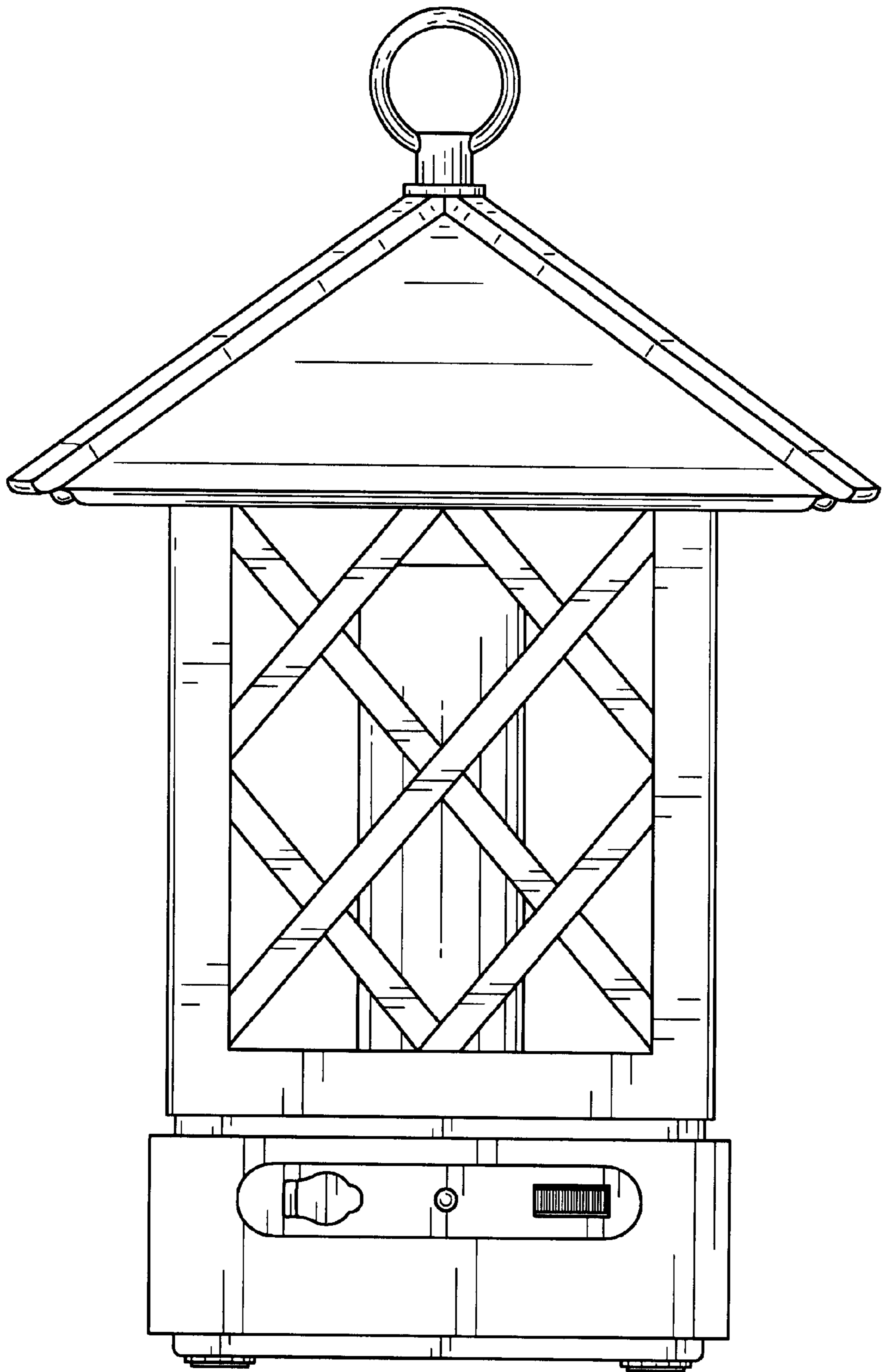


FIG. 2

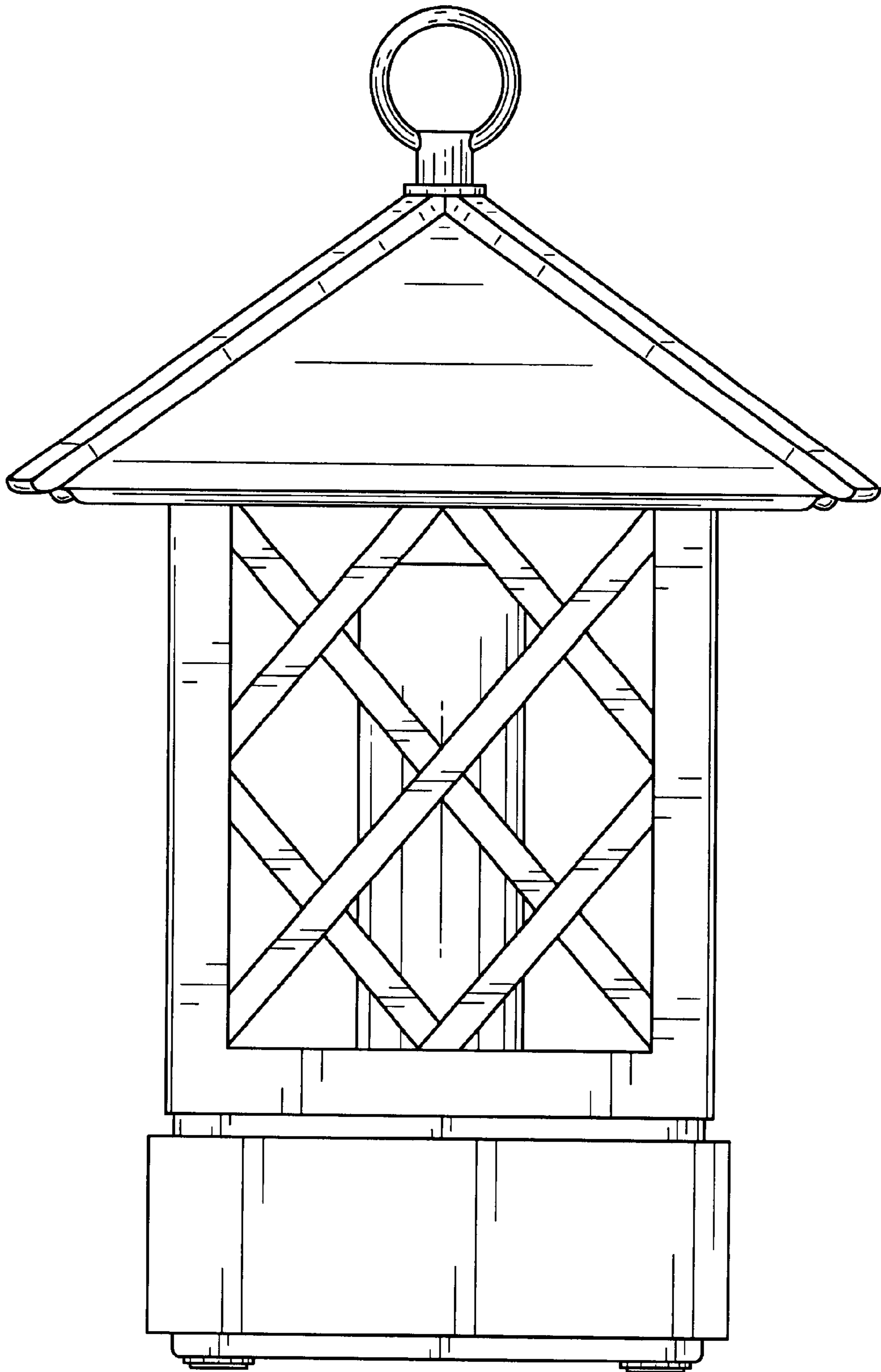


FIG. 3

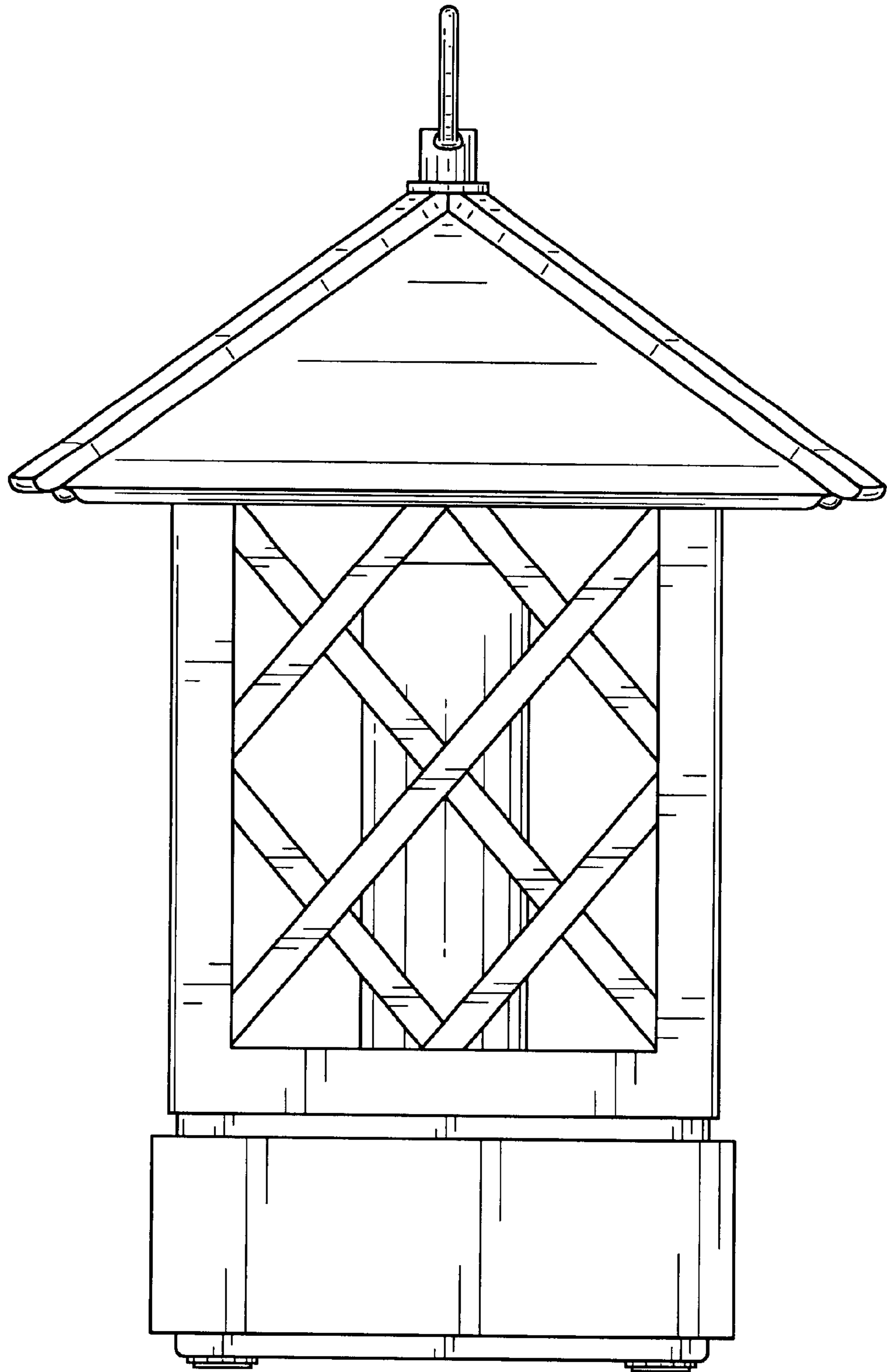


FIG. 4

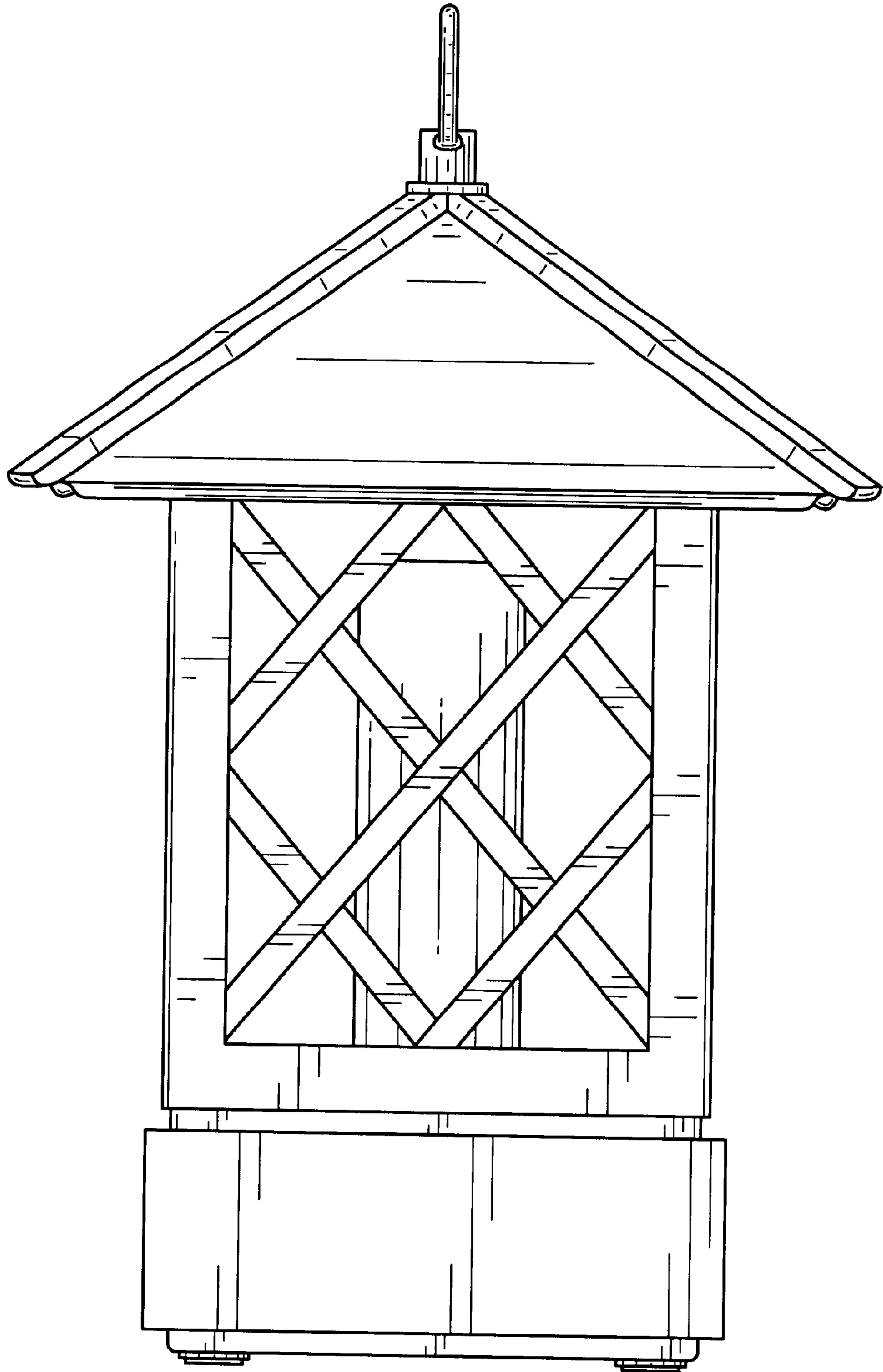


FIG. 5

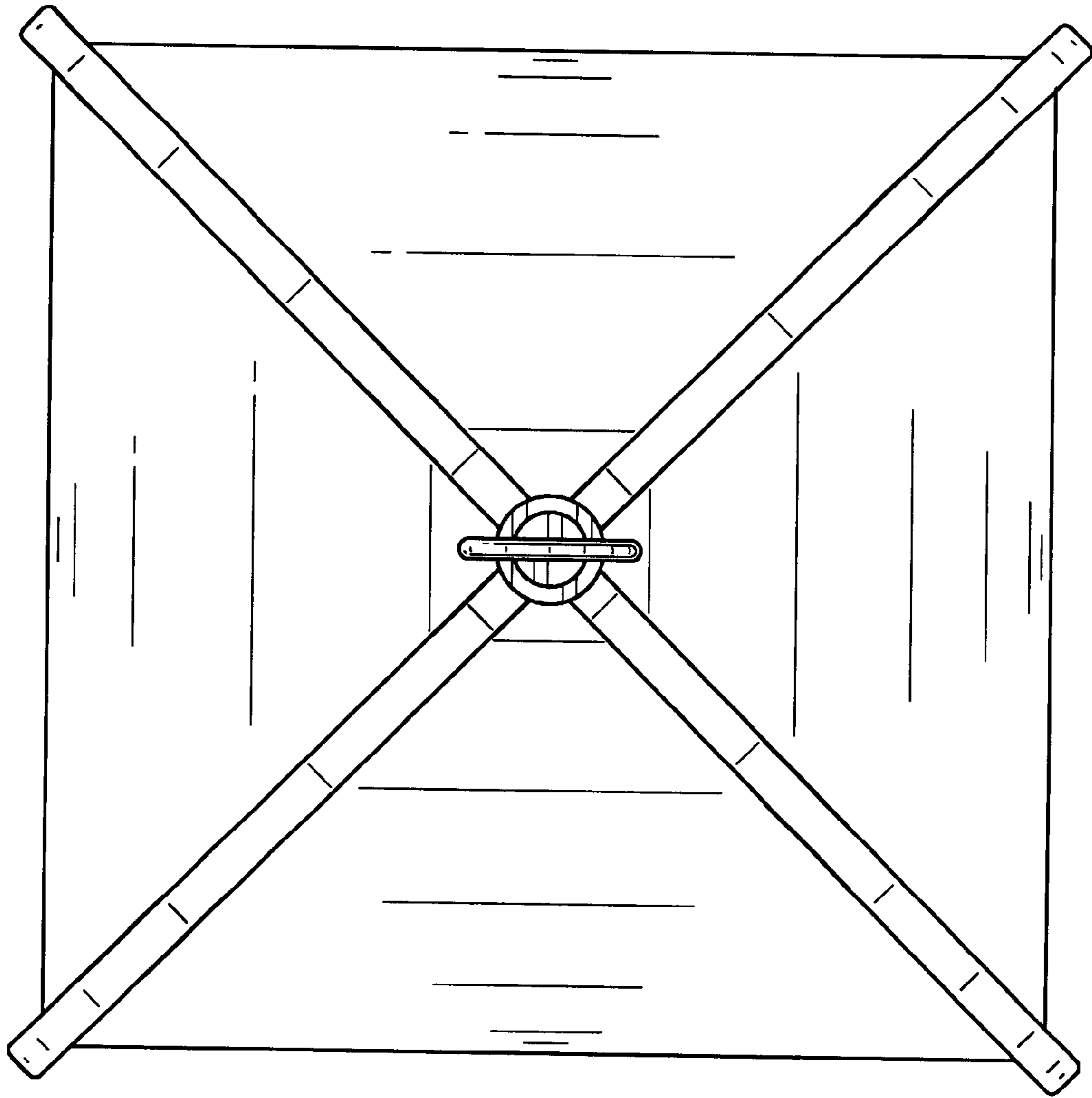


FIG. 6

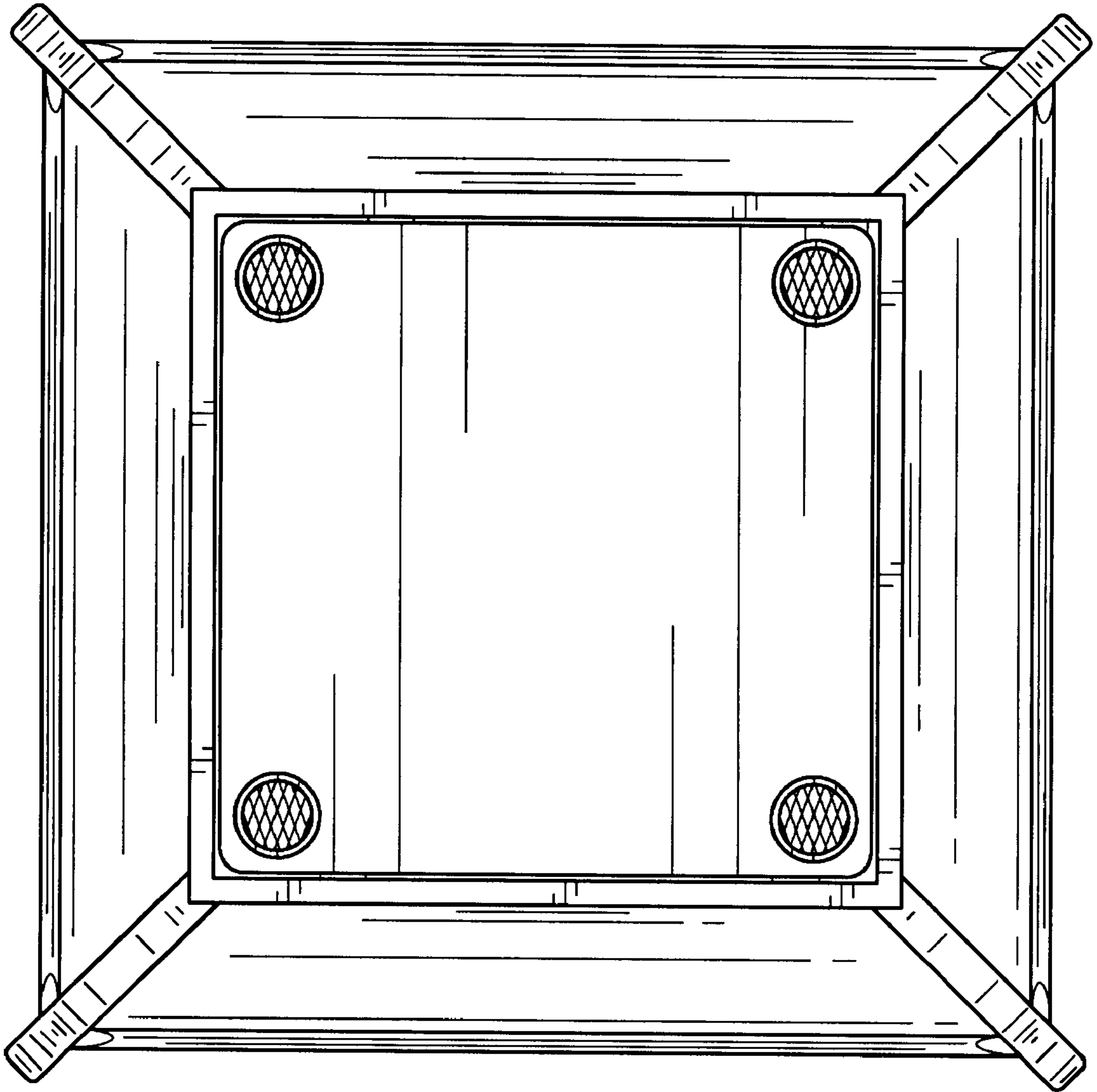


FIG. 7