



US00D484996S

(12) **United States Design Patent**
Krieger et al.

(10) **Patent No.:** **US D484,996 S**
(45) **Date of Patent:** **** Jan. 6, 2004**

(54) **RECHARGEABLE FLASHLIGHT**

(75) Inventors: **Michael Krieger**, Miami Beach, FL (US); **Kevin Ellsworth**, Hollywood, FL (US)

(73) Assignee: **Vector Products, Inc.**, Ft. Lauderdale, FL (US)

(**) Term: **14 Years**

(21) Appl. No.: **29/172,528**

(22) Filed: **Dec. 13, 2002**

(51) **LOC (7) Cl.** **26-02**

(52) **U.S. Cl.** **D26/37**

(58) **Field of Search** D26/37-50; 362/157, 362/158, 171, 172, 173, 183-208

(56) **References Cited**

U.S. PATENT DOCUMENTS

D395,719 S	*	6/1998	Concari	D26/37
D403,446 S	*	12/1998	Lynch et al.	D26/37
D407,509 S	*	3/1999	Yuen	D26/37

* cited by examiner

Primary Examiner—Marcus A. Jackson

(74) *Attorney, Agent, or Firm*—Venable LLP; Robert Kinberg

(57) **CLAIM**

The ornamental design for a rechargeable flashlight, as shown and described

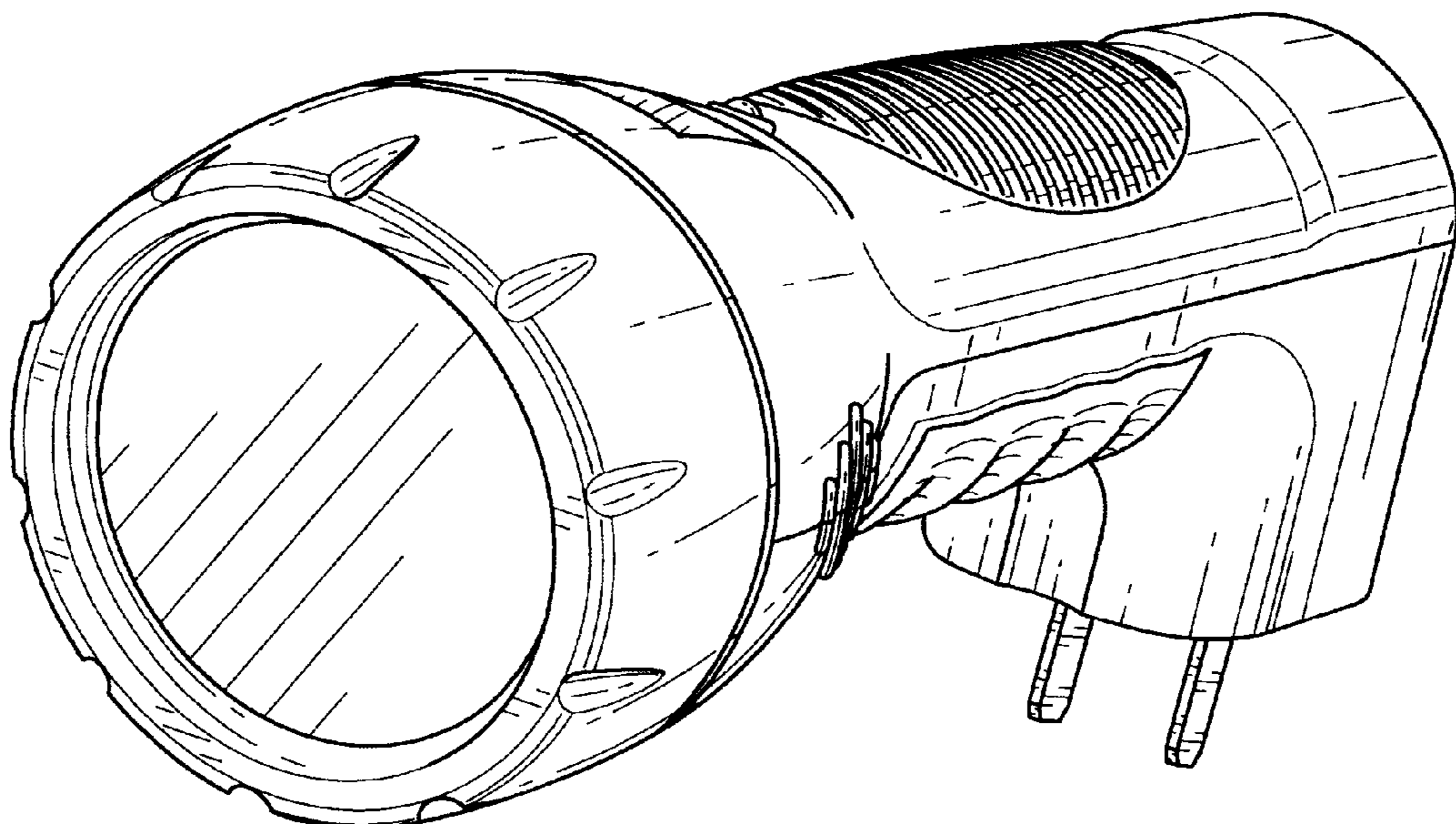
DESCRIPTION

FIG. 1 is a perspective view from the front-right side of the rechargeable flashlight showing a first embodiment of our new design;

FIG. 2 is a front view of the design shown in FIG. 1;
 FIG. 3 is a rear view of the design shown in FIG. 1;
 FIG. 4 is a left side view of the design shown in FIG. 1;
 FIG. 5 is a right side view of the design shown in FIG. 1;
 FIG. 6 is a top view of the design shown in FIG. 1;
 FIG. 7 is a bottom view of the design shown in FIG. 1;
 FIG. 8 is a perspective view from the front-right side of the rechargeable flashlight showing a second embodiment of our new design;
 FIG. 9 is a front view of the design shown in FIG. 8;
 FIG. 10 is a rear view of the design shown in FIG. 8;
 FIG. 11 is a left side view of the design shown in FIG. 8;
 FIG. 12 is a right side view of the design shown in FIG. 8;
 FIG. 13 is a top view of the design shown in FIG. 8;
 FIG. 14 is a bottom view of the design shown in FIG. 8;
 FIG. 15 is a perspective view from the front-right side of the rechargeable flashlight showing a third embodiment of our new design;
 FIG. 16 is a front view of the design shown in FIG. 15;
 FIG. 17 is a rear view of the design shown in FIG. 15;
 FIG. 18 is a left side view of the design shown in FIG. 15;
 FIG. 19 is a right side view of the design shown in FIG. 15;
 FIG. 20 is a top view of the design shown in FIG. 15; and,
 FIG. 21 is a bottom view of the design shown in FIG. 15.

The broken lines immediately adjacent the shaded areas represent the bounds of the claimed design while all other broken lines are for illustrative purposes only; the broken lines form no part of the claimed design.

1 Claim, 18 Drawing Sheets



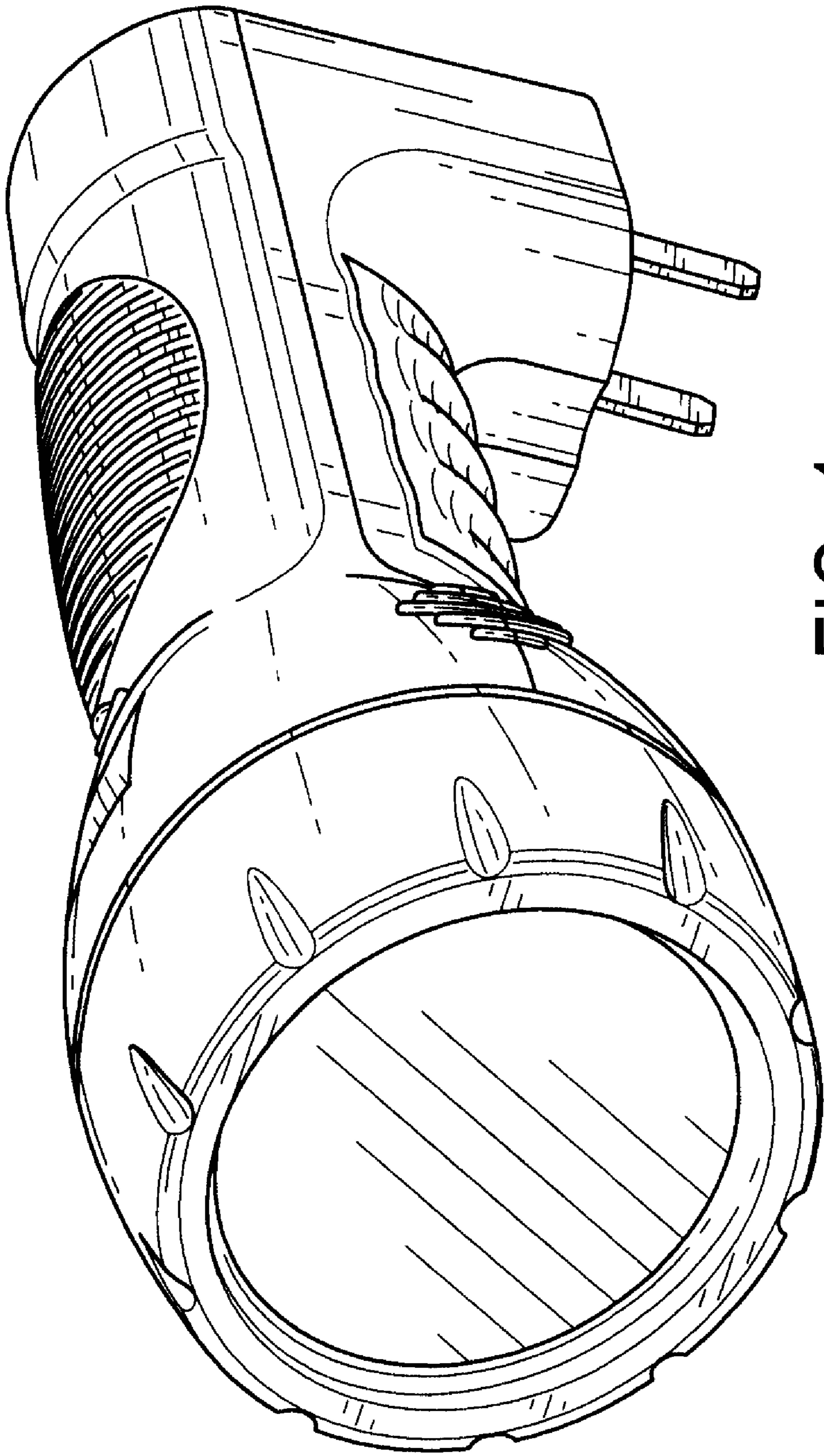


FIG. 1

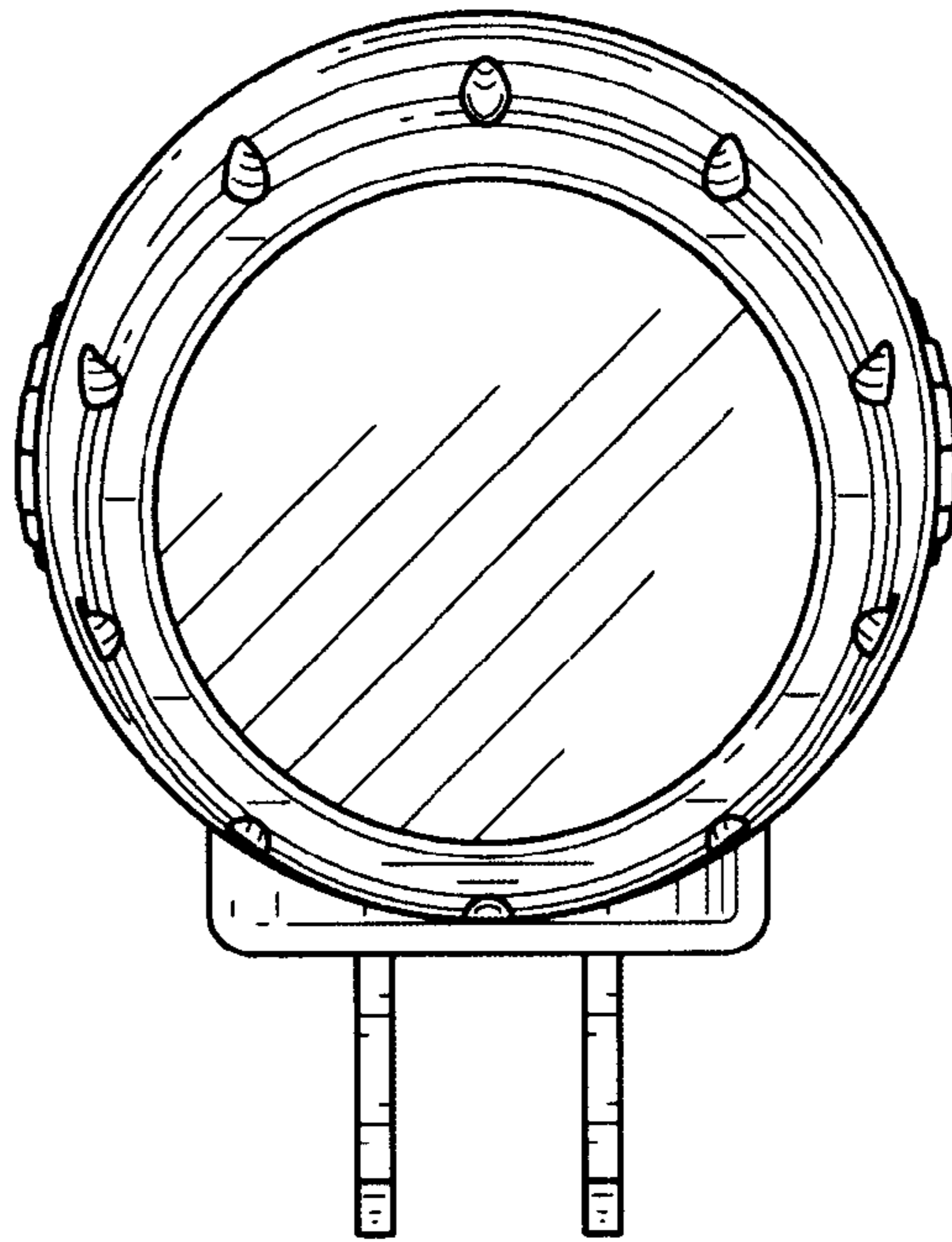


FIG. 2

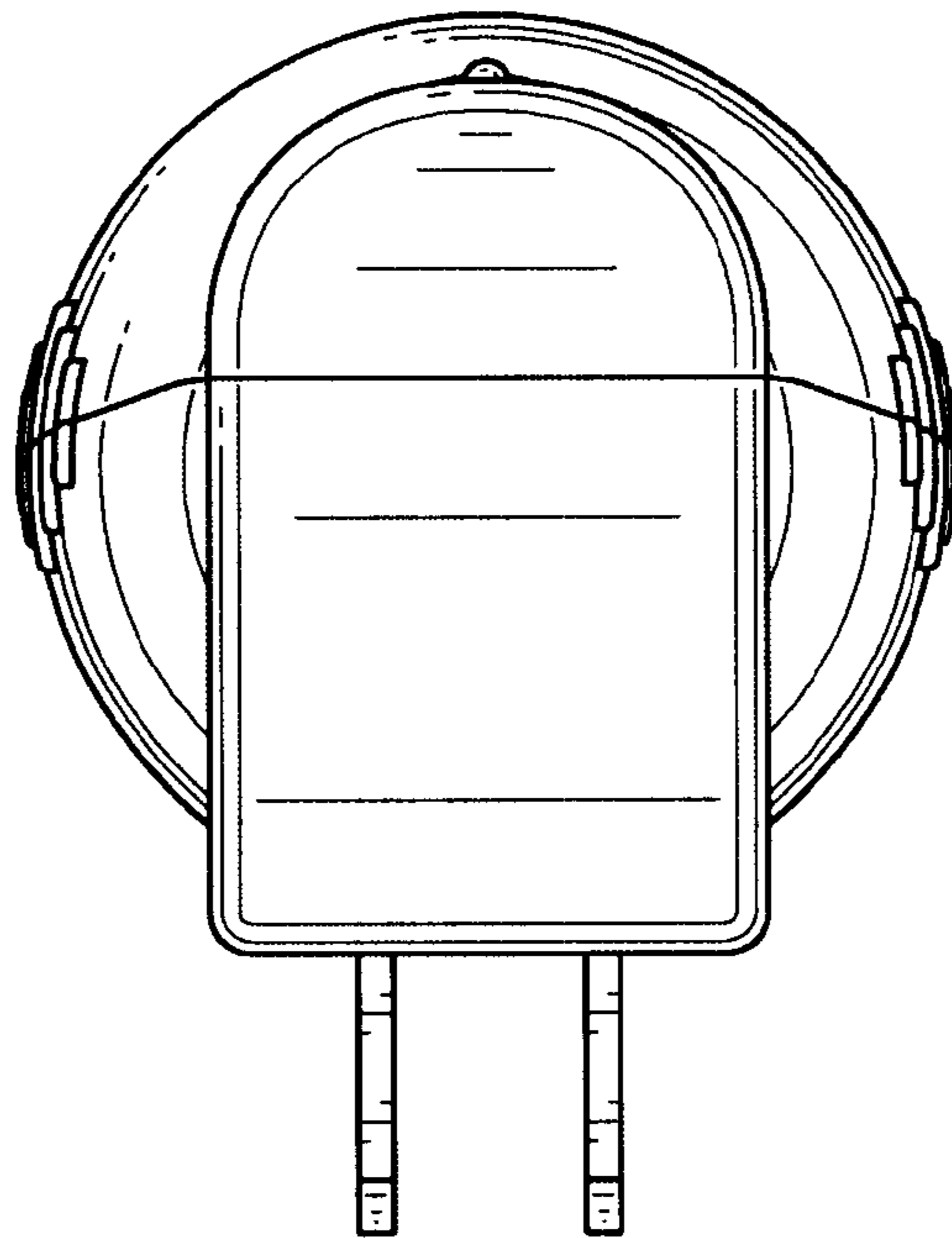


FIG. 3

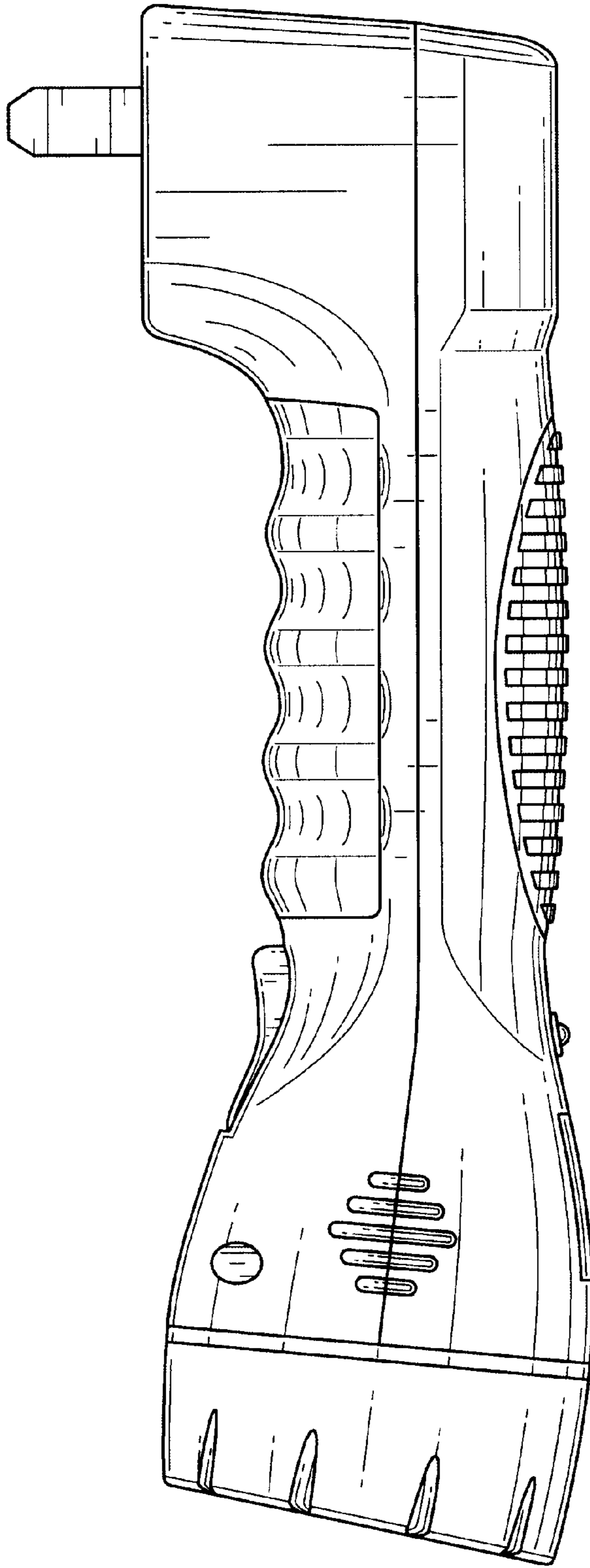


FIG. 4

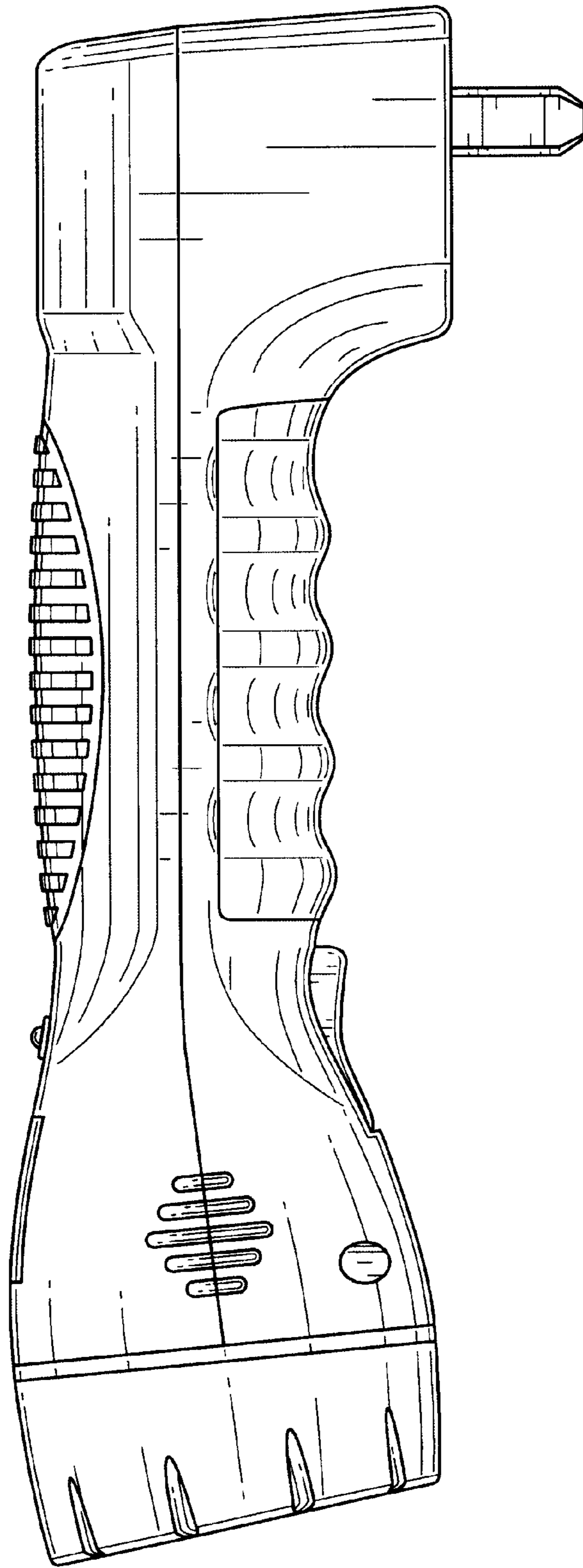


FIG. 5

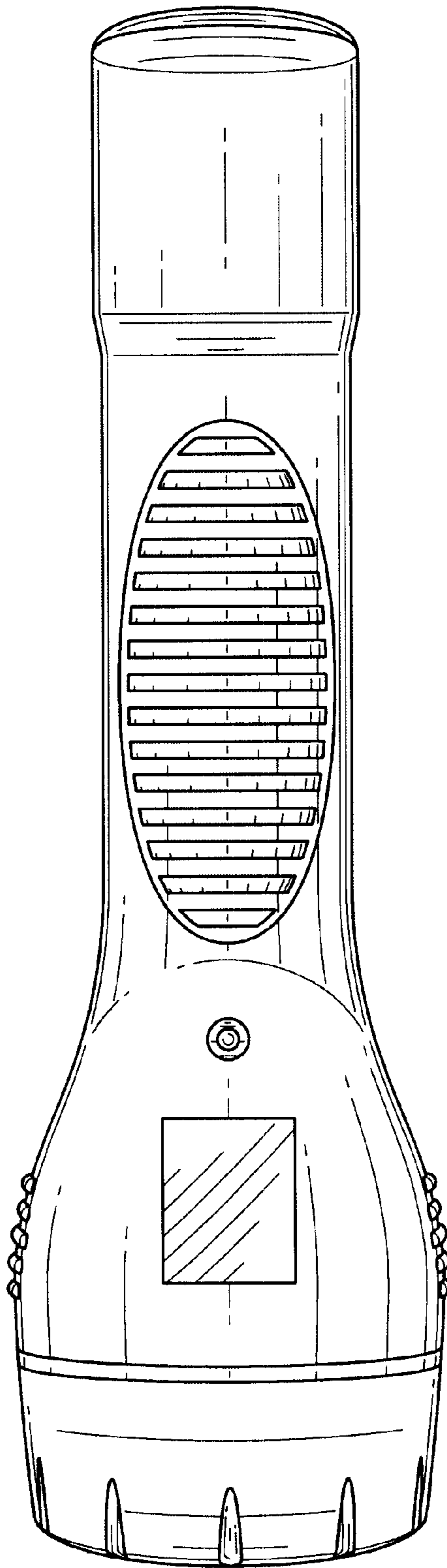


FIG. 6

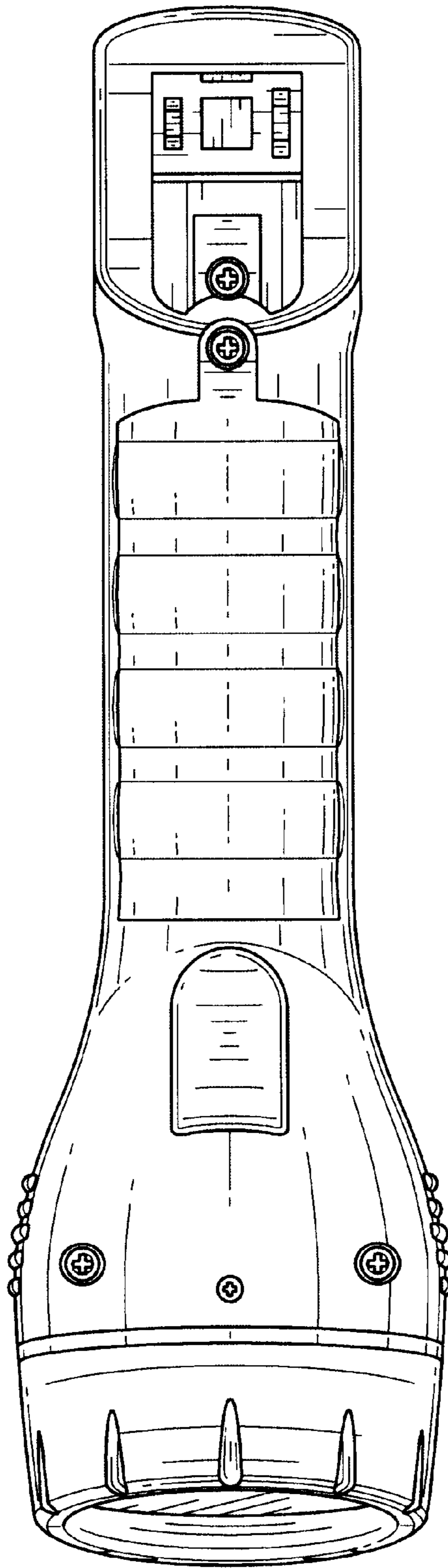


FIG. 7

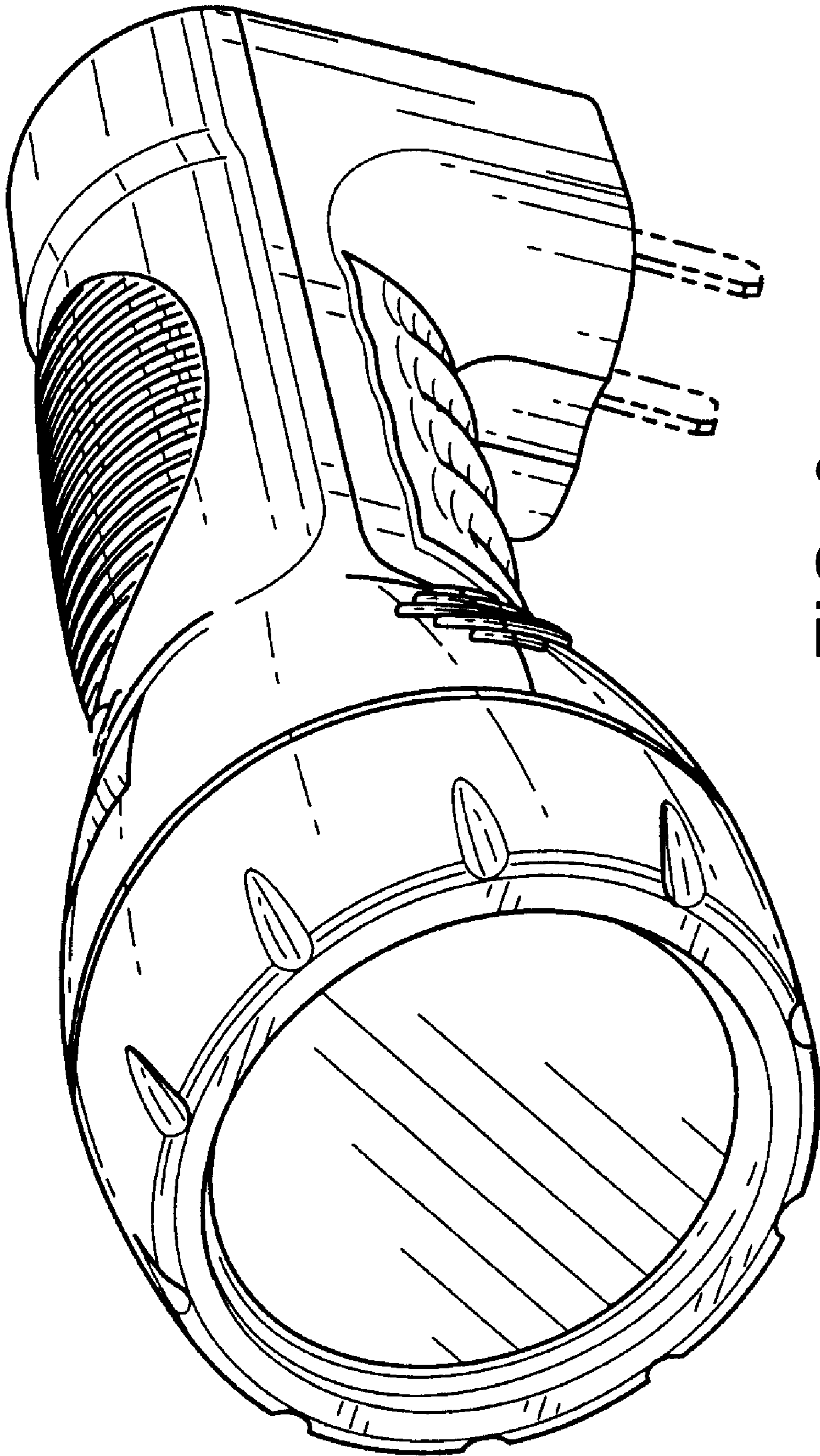


FIG. 8

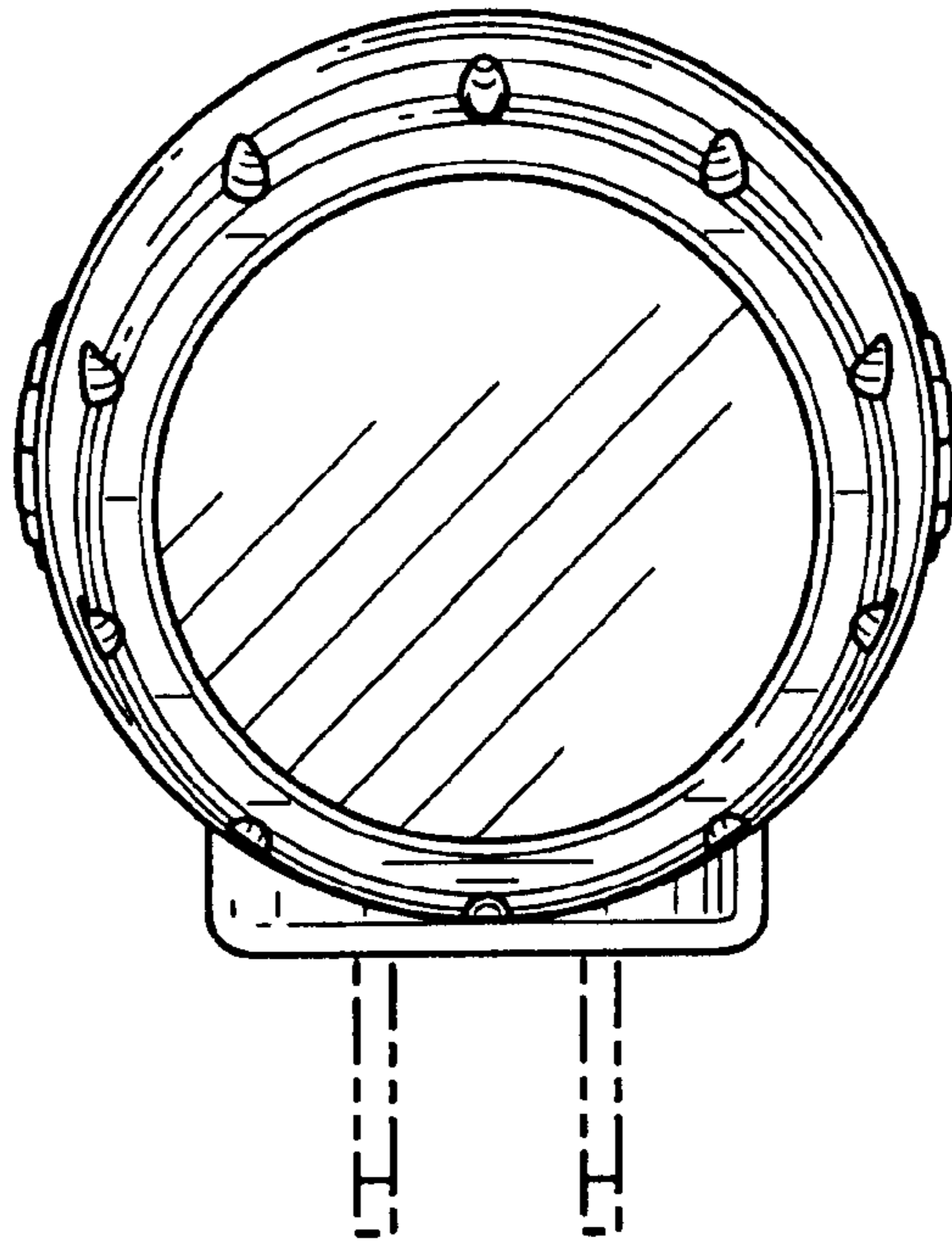


FIG. 9

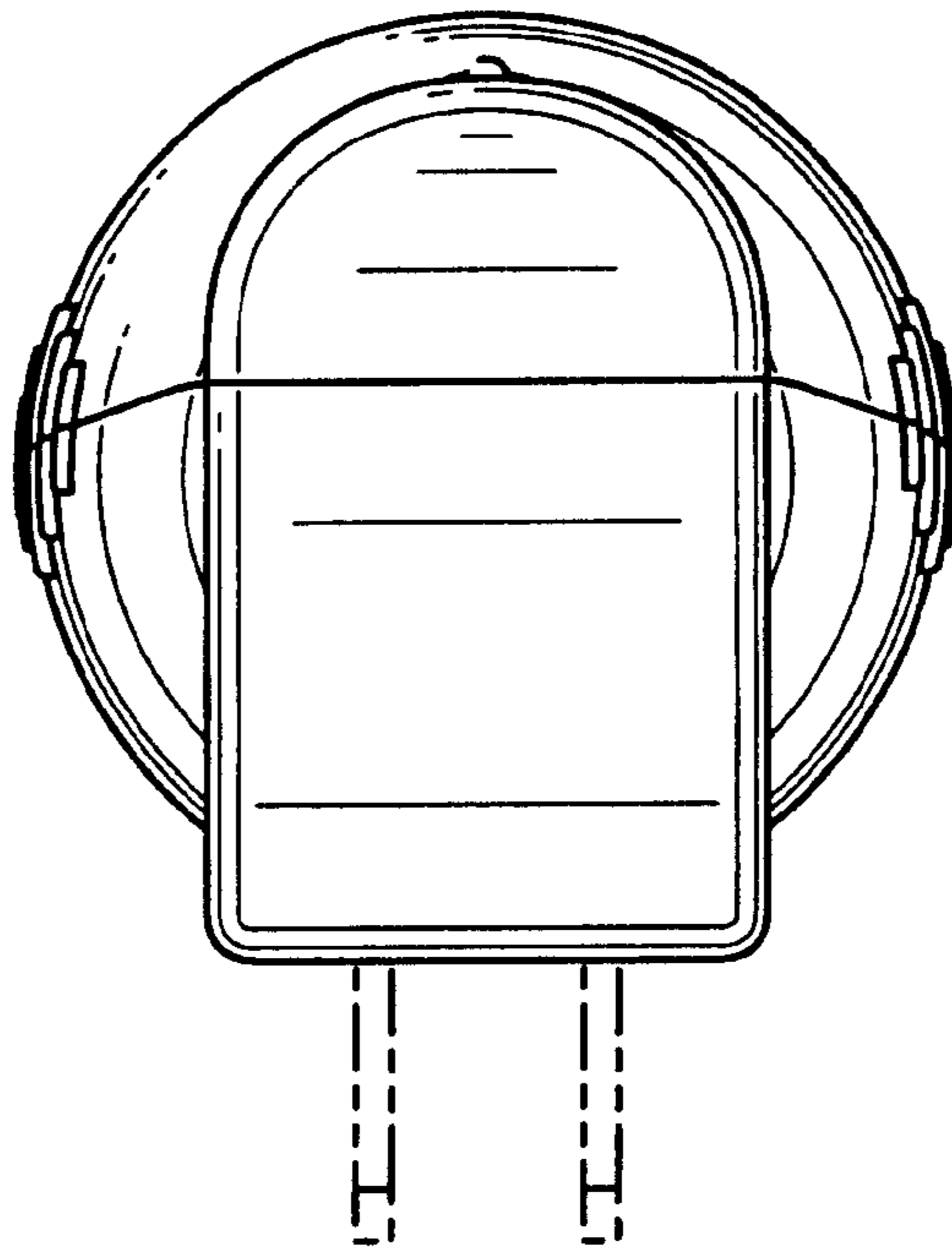


FIG. 10

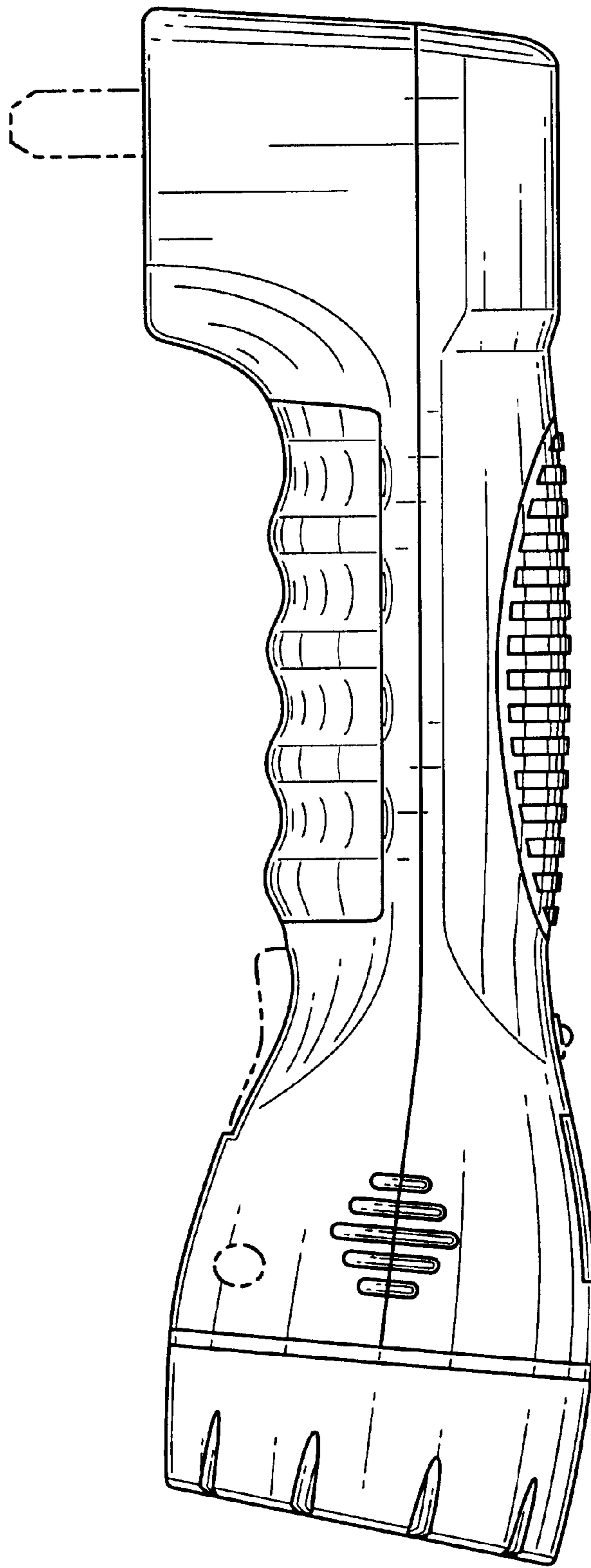


FIG. 11

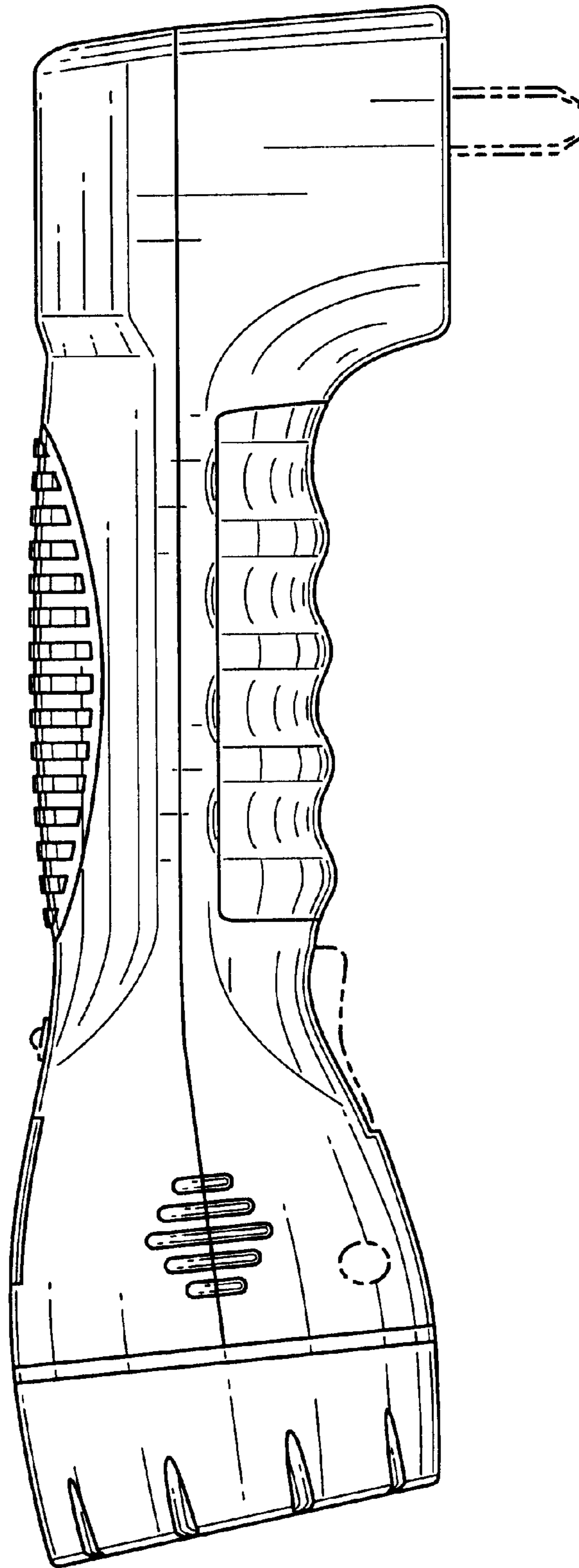


FIG. 12

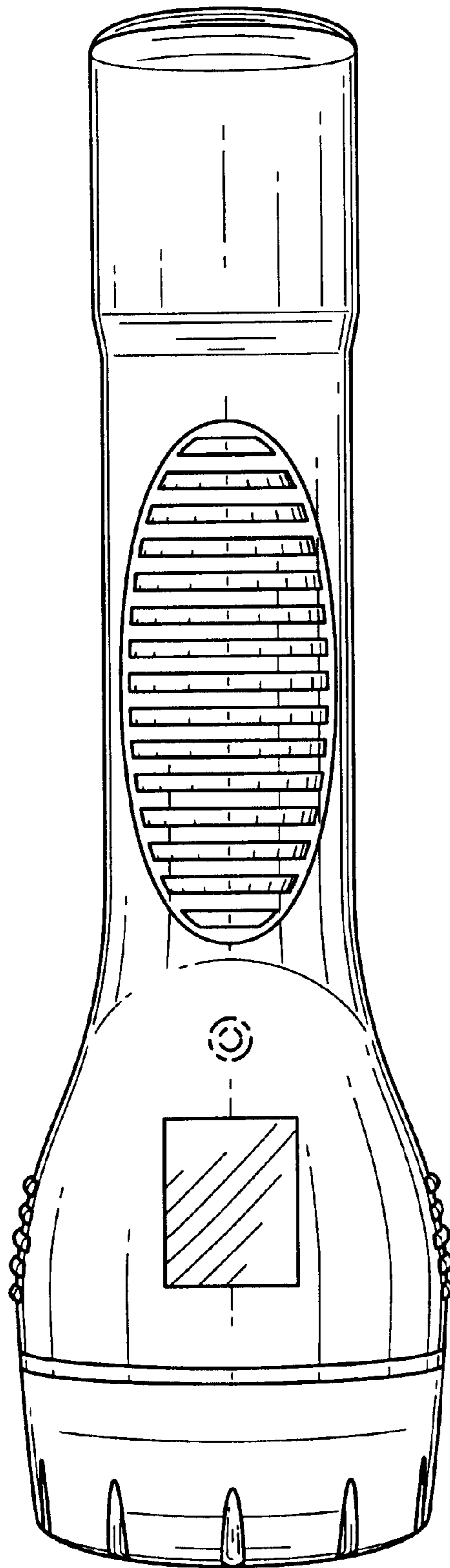


FIG. 13

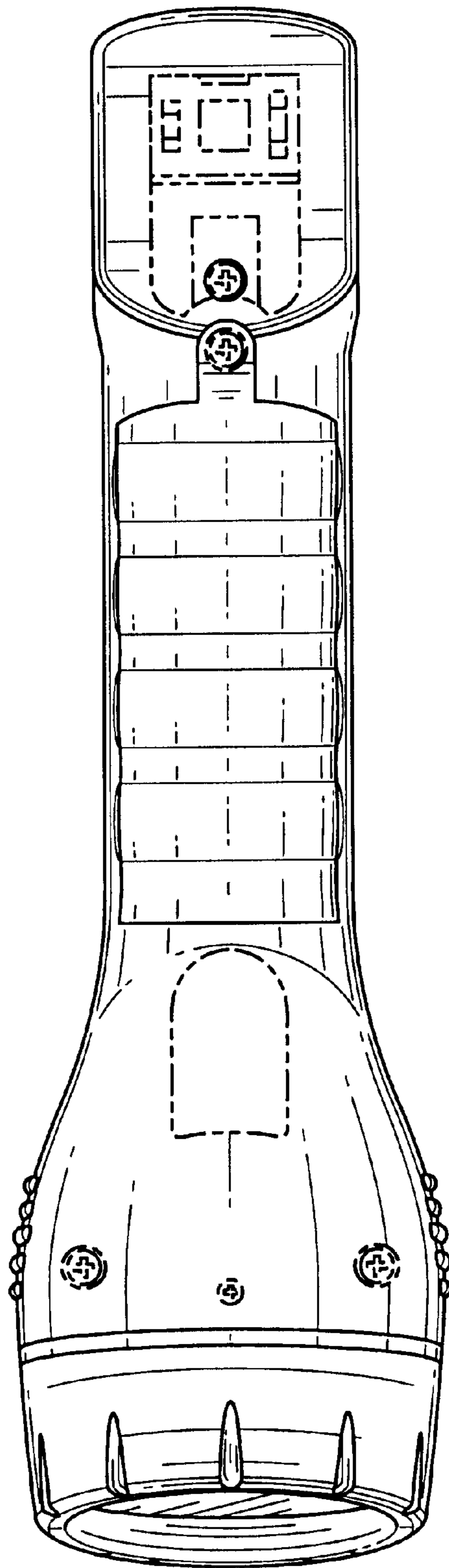


FIG. 14

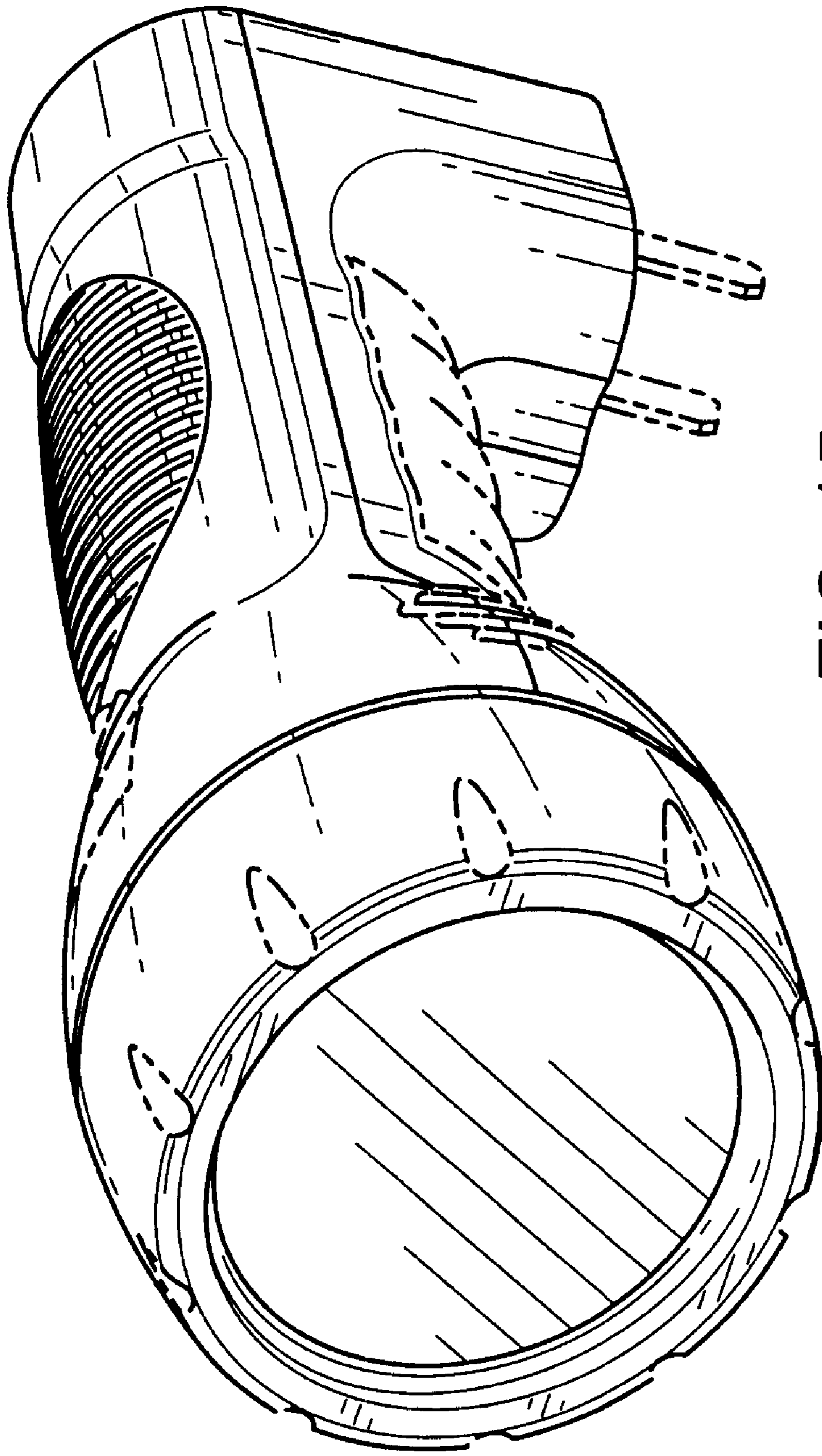


FIG. 15

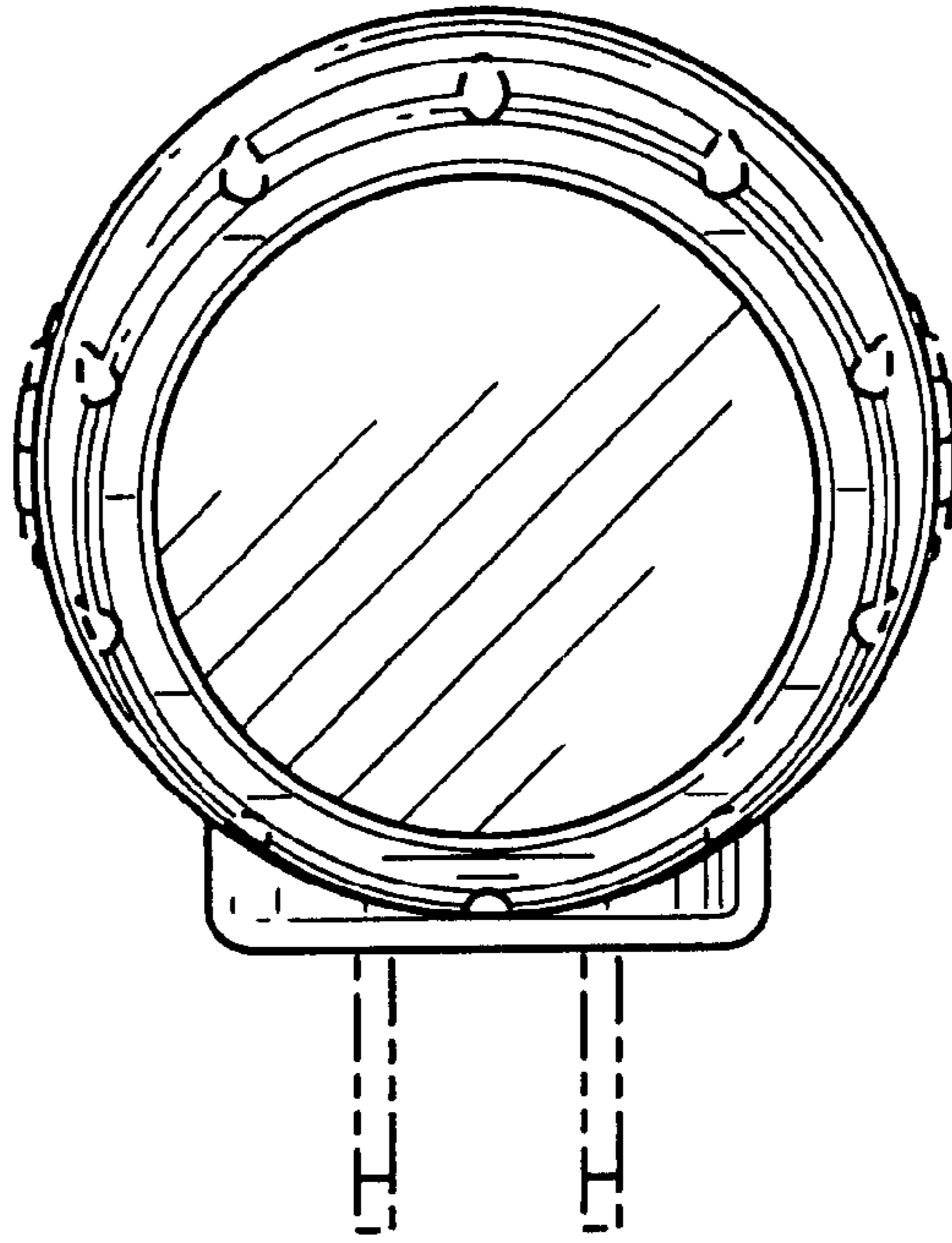


FIG. 16

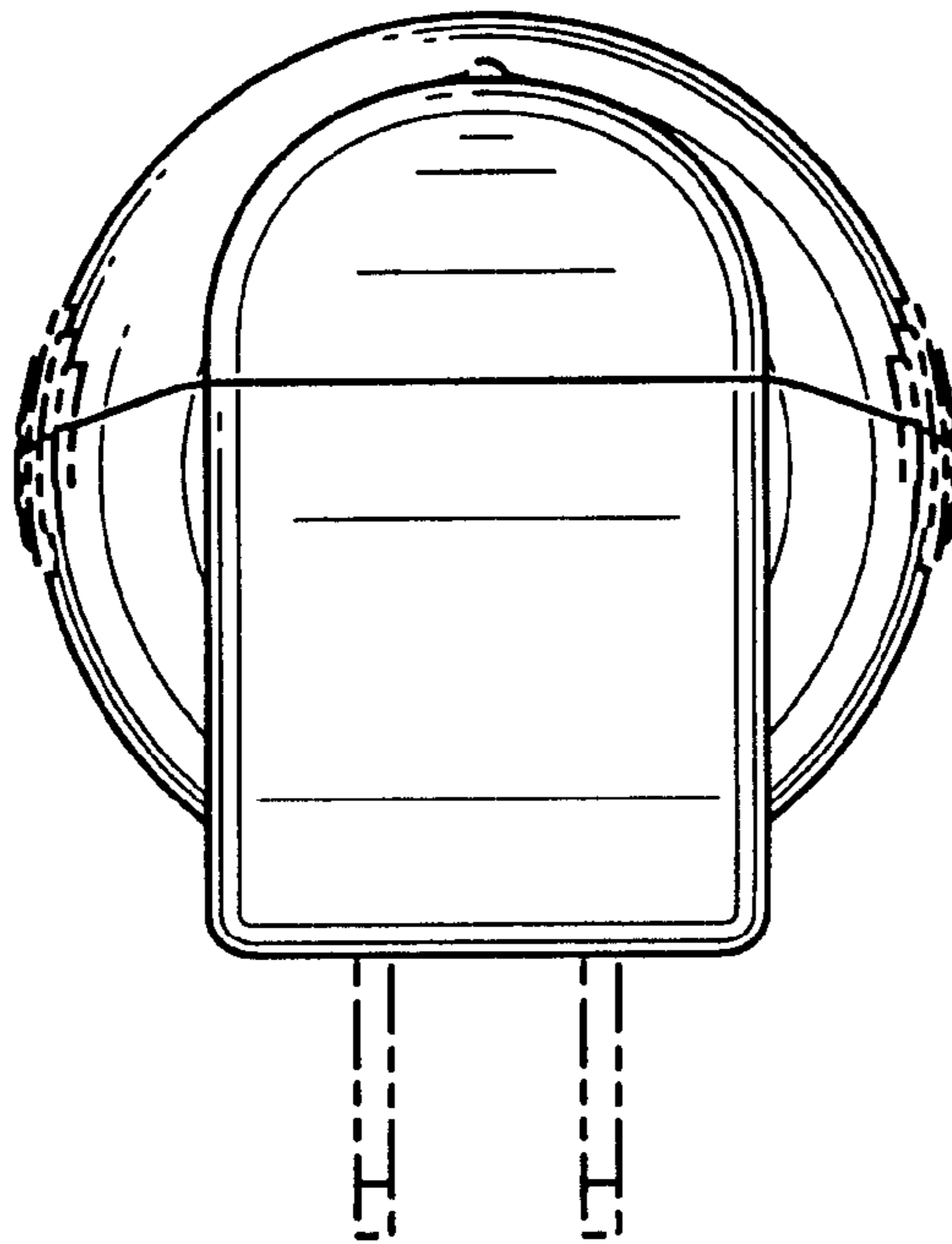


FIG. 17

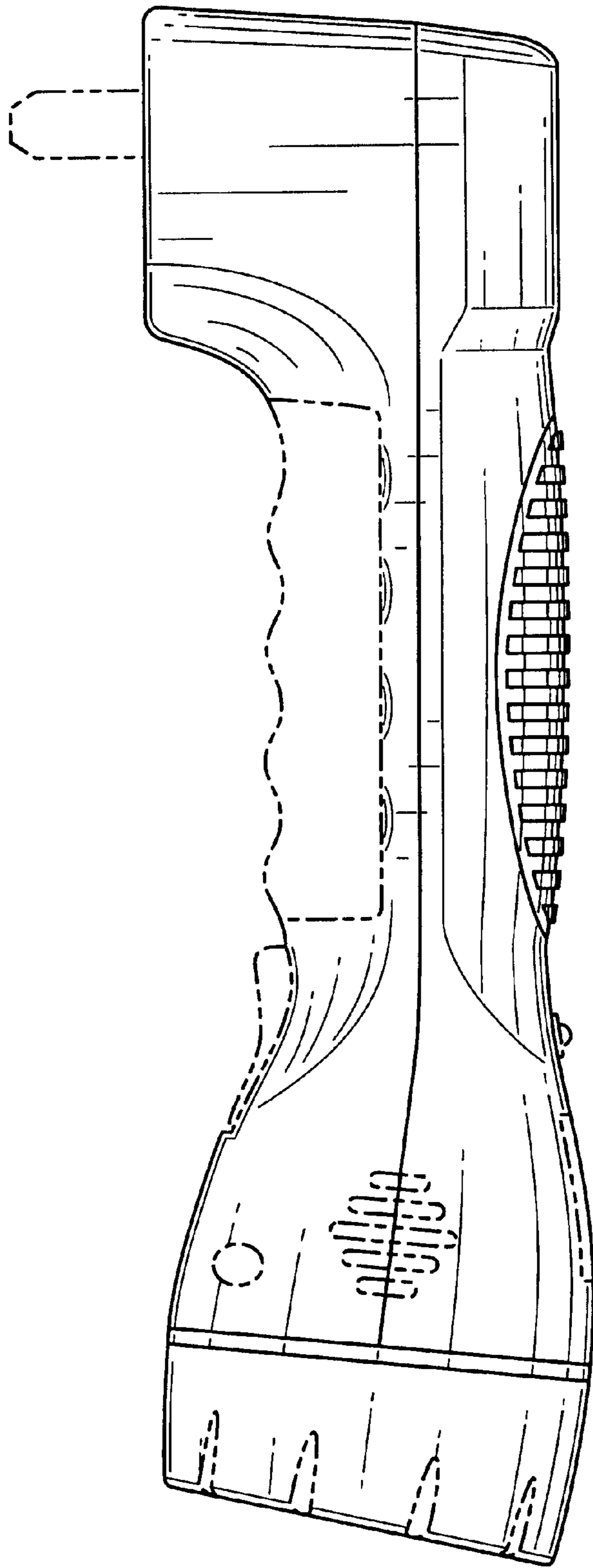


FIG. 18

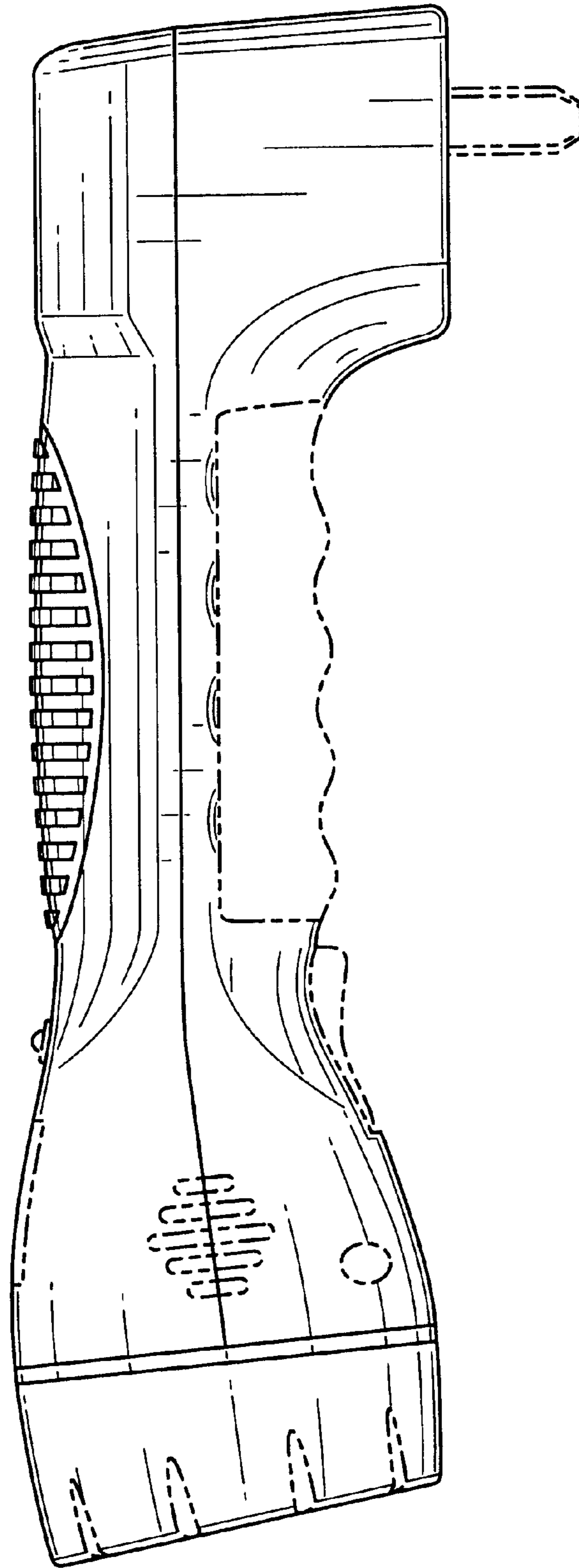


FIG. 19

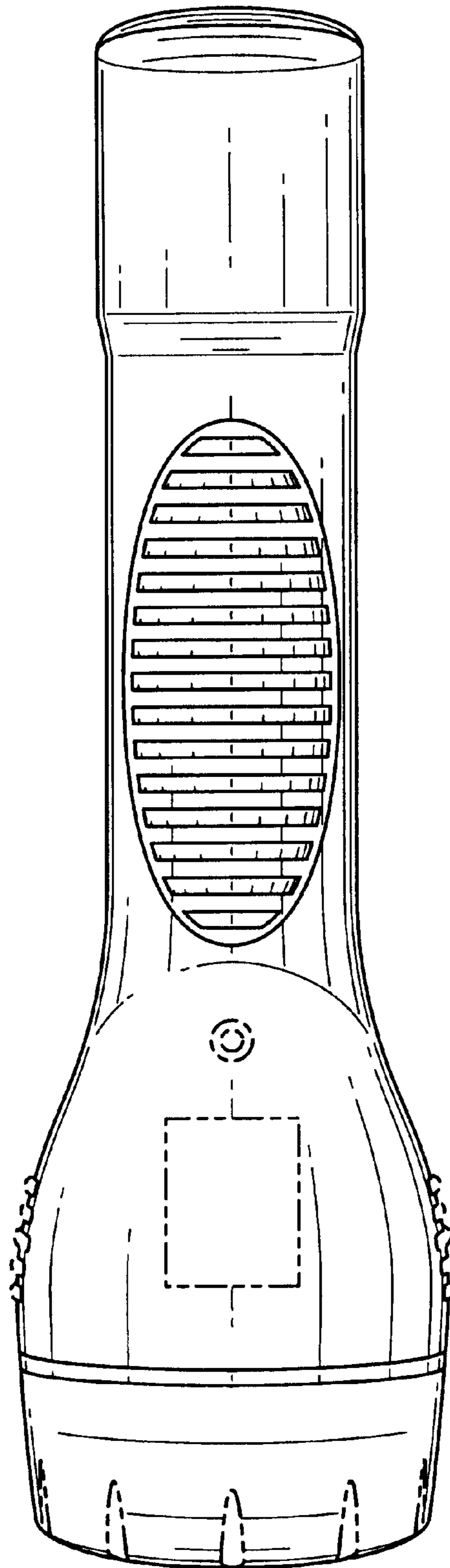


FIG. 20

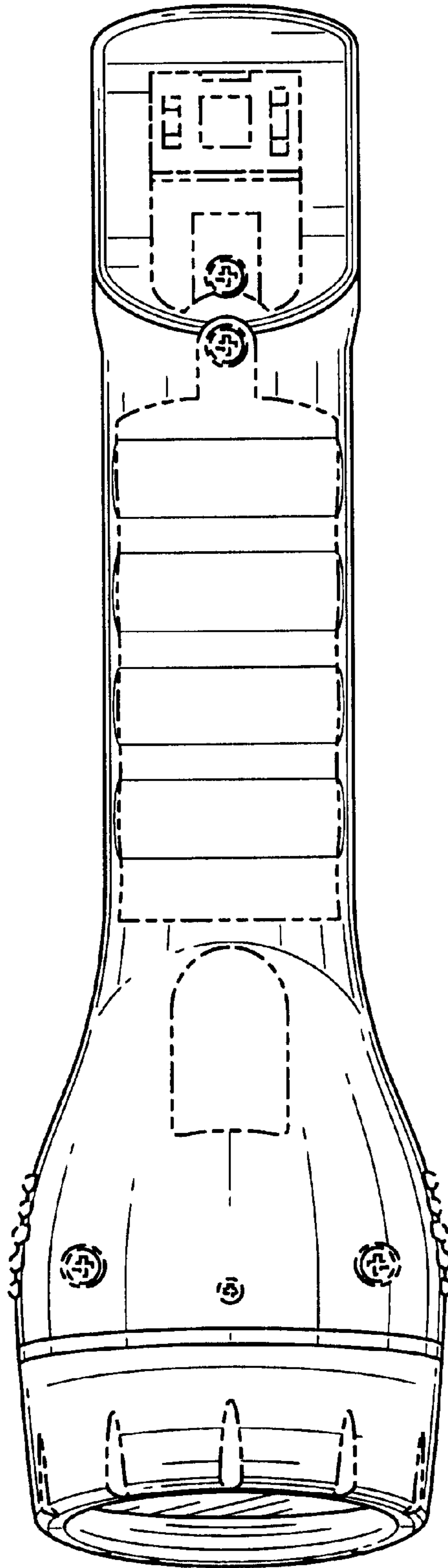


FIG. 21