



US00D484990S

(12) **United States Design Patent**
Ecker

(10) **Patent No.:** **US D484,990 S**

(45) **Date of Patent:** **** Jan. 6, 2004**

(54) **FOUR-SIDED WINDOW WELL COVER**

D360,699 S 7/1995 Woodyer et al.
D361,630 S 8/1995 Guernsey

(76) Inventor: **Gerald T. Ecker**, 643 Mansfield Dr.,
Fort Collins, CO (US) 80524

* cited by examiner

(**) Term: **14 Years**

Primary Examiner—Doris Clark
(74) *Attorney, Agent, or Firm*—Ancel W. Lewis, Jr.

(21) Appl. No.: **29/175,715**

(57) **CLAIM**

(22) Filed: **Feb. 10, 2003**

The ornamental design for a four-sided window well cover,
as shown and described.

(51) **LOC (7) Cl.** **25-02**

(52) **U.S. Cl.** **D25/54**

(58) **Field of Search** D25/54; 52/107

DESCRIPTION

(56) **References Cited**

U.S. PATENT DOCUMENTS

300,654 A	6/1884	Smith	
1,695,810 A	12/1928	Magill	
1,840,397 A	1/1932	Keyes	
2,237,564 A	4/1941	Keyes	
3,262,487 A	7/1966	Gustafson et al.	
D265,591 S	* 7/1982	Kearnes D25/54
D275,894 S	10/1984	Sikorski	
5,271,195 A	12/1993	Wahe	
5,339,579 A	8/1994	Woodyer et al.	

FIG. 1 is a front elevation view of a four-sided window well cover showing my new design, the broken line disclosure of a window well being for illustrative purposes only and forming no part of the claimed design;
FIG. 2 is a rear elevation view thereof;
FIG. 3 is a left side elevation view thereof with the right side being a mirror image of that shown;
FIG. 4 is a top plan view thereof;
FIG. 5 is a bottom plan view thereof;
FIG. 6 is a top perspective view thereof; and,
FIG. 7 is a bottom perspective view thereof.

1 Claim, 2 Drawing Sheets

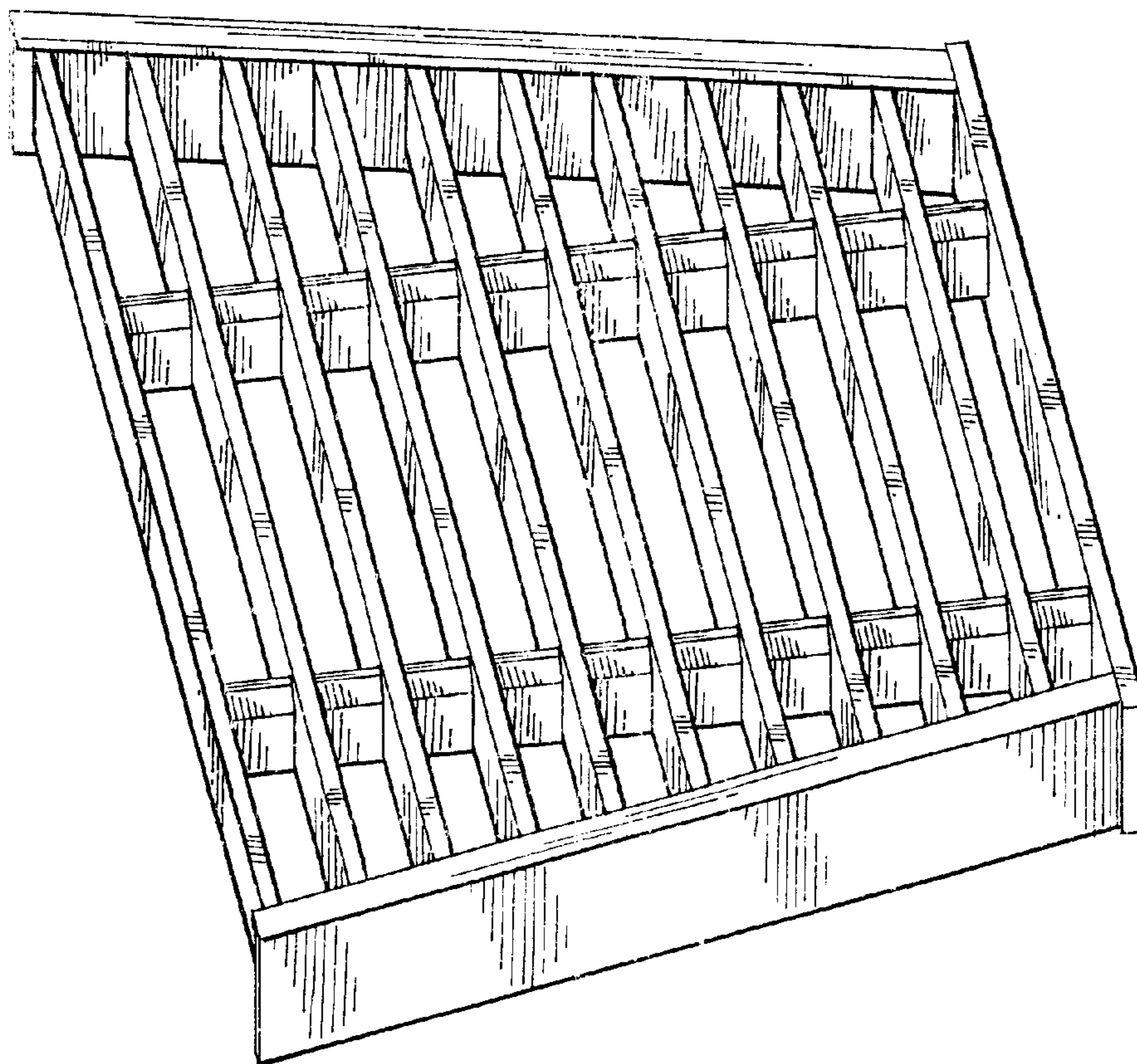


FIG. 1

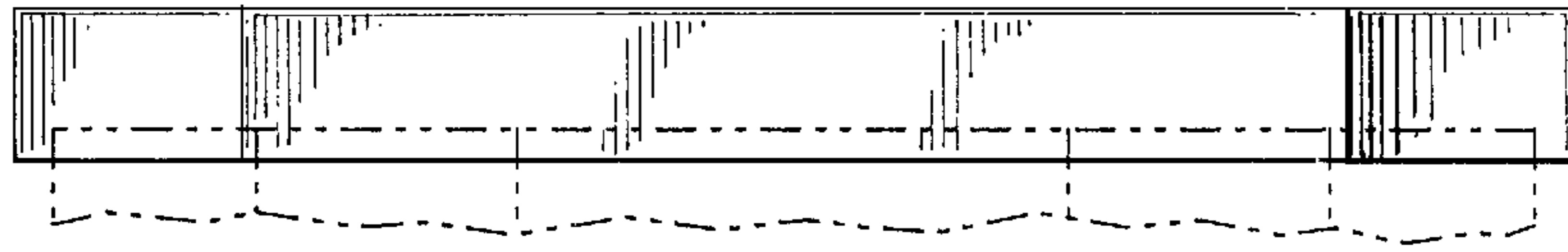


FIG. 2

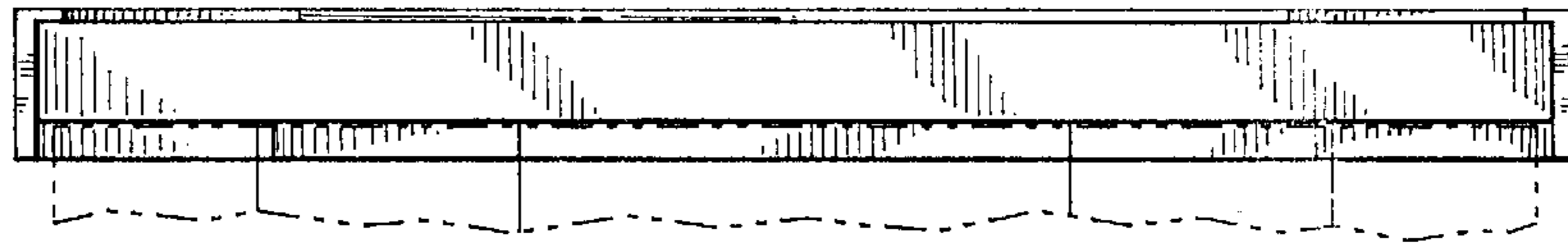


FIG. 3

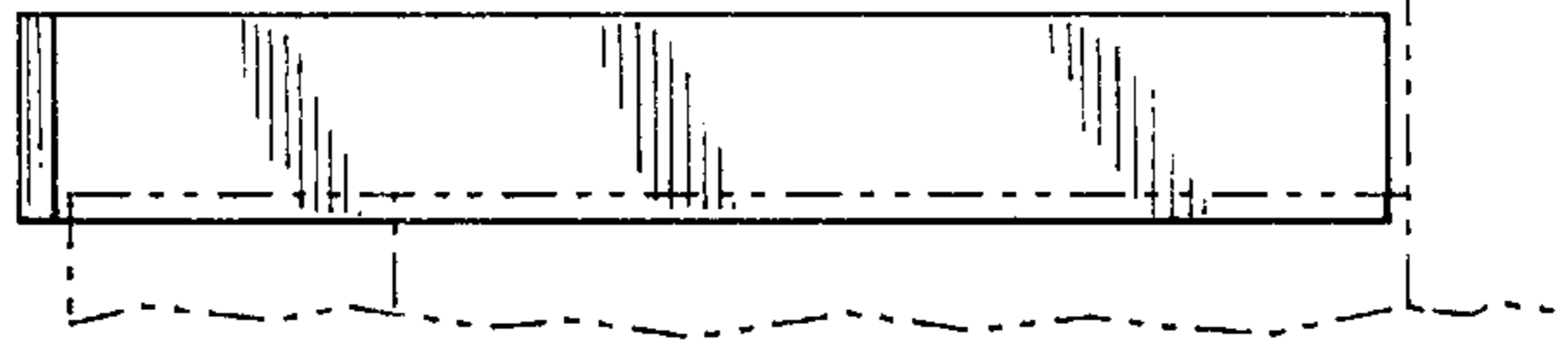


FIG. 4

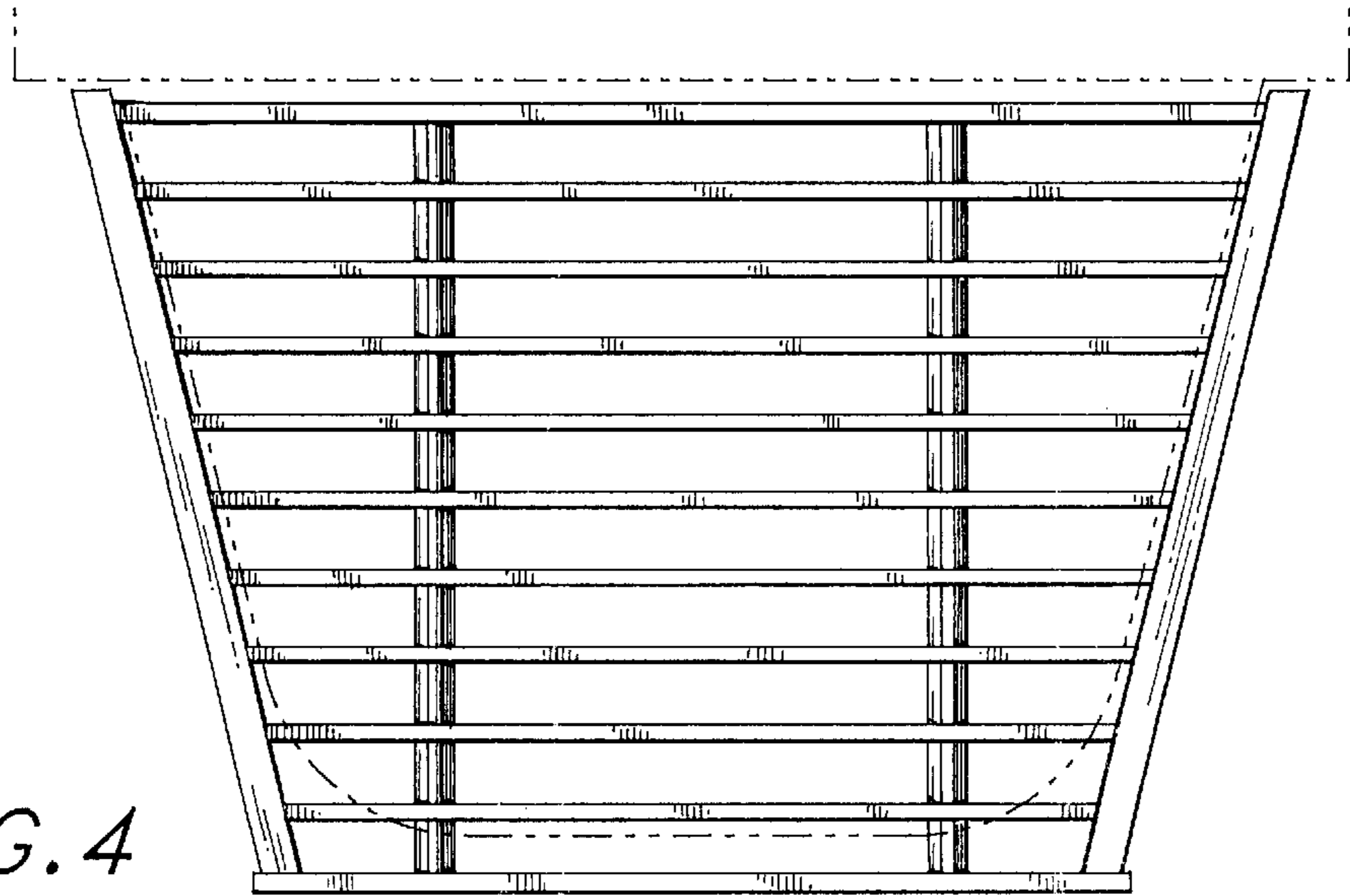
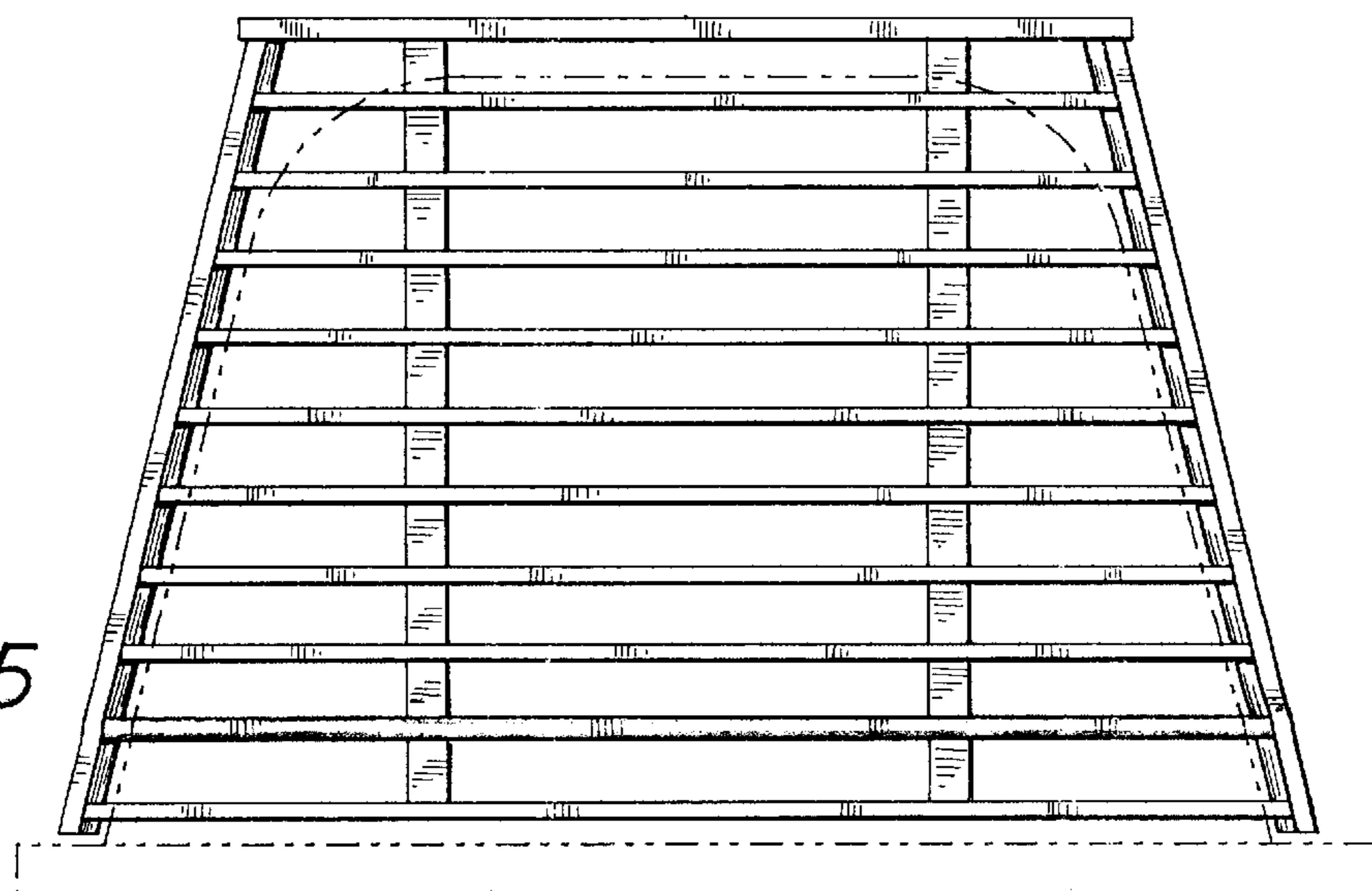


FIG. 5



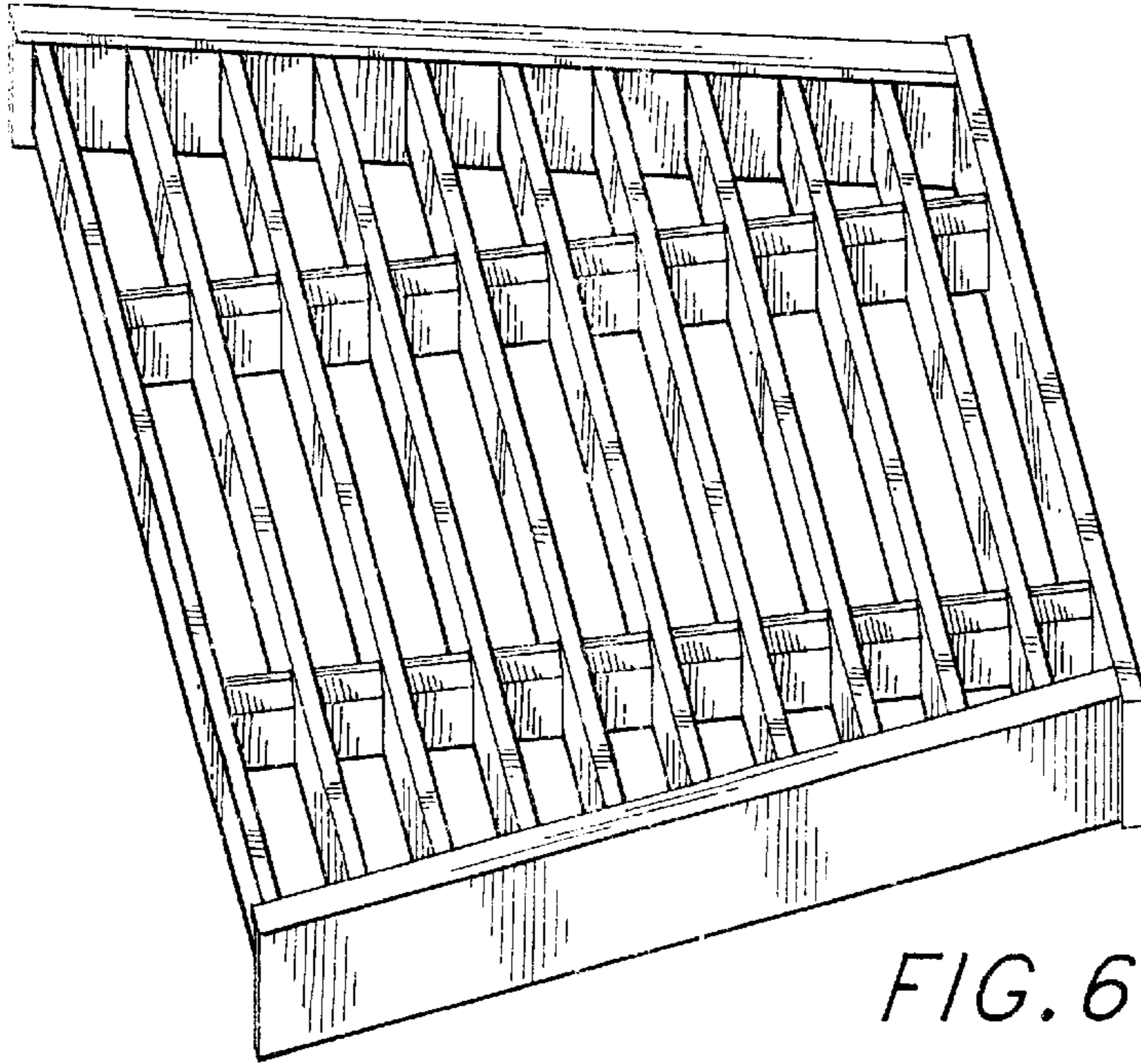


FIG. 6

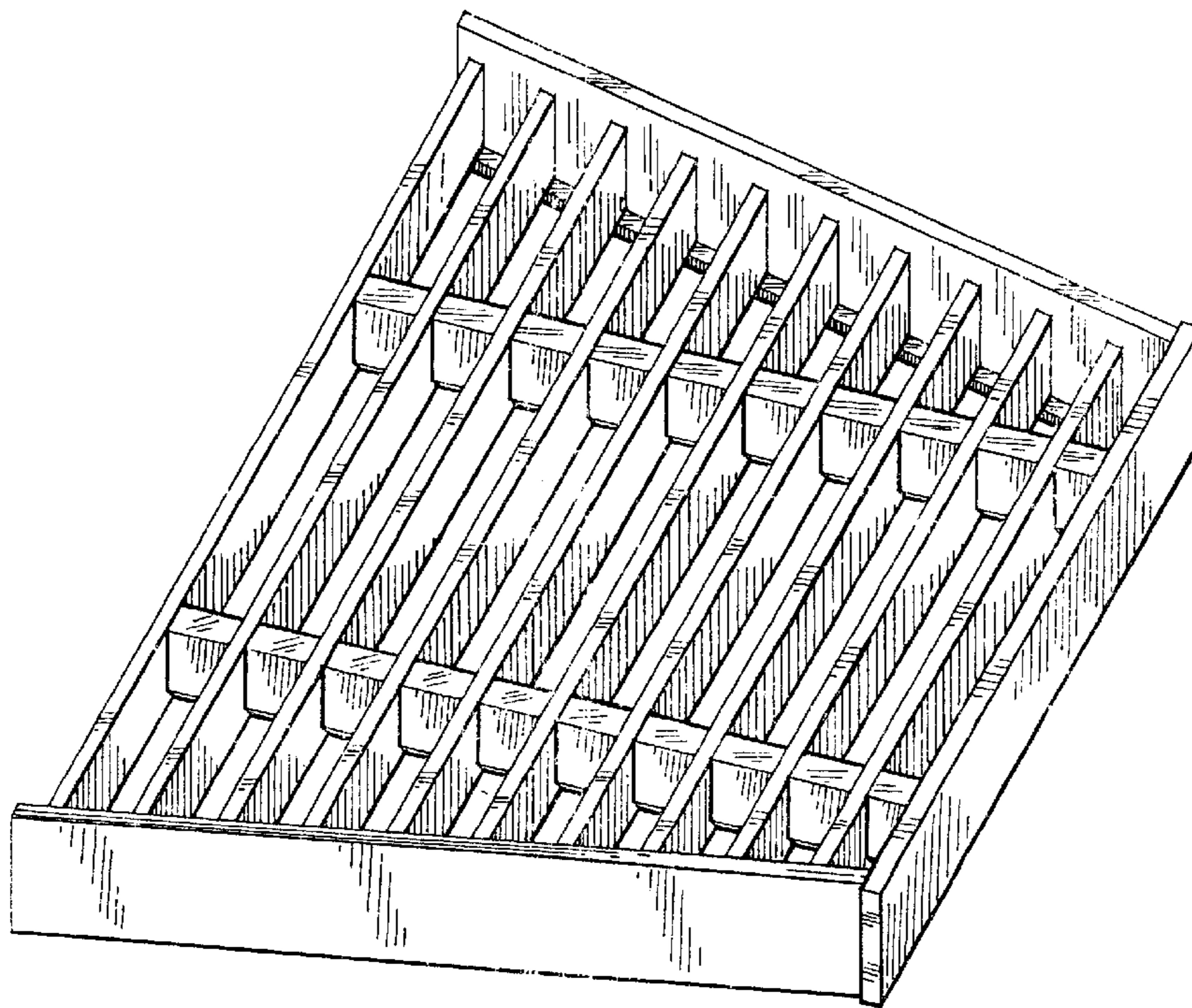


FIG. 7