



US00D484983S

(12) **United States Design Patent**
Nielsen

(10) **Patent No.:** **US D484,983 S**

(45) **Date of Patent:** **** Jan. 6, 2004**

(54) **COMBINED MODULE AND ADAPTER FOR ATTACHMENT TO A HEARING AID**

Primary Examiner—Stella Reid
(74) *Attorney, Agent, or Firm*—Sughrue Mion, PLLC

(75) **Inventor:** **Morten Nielsen**, Fredriksberg (DK)

(57) **CLAIM**

(73) **Assignee:** **Widex A/S**, Vaerloose (DK)

The ornamental design for a combined module and adapter for attachment to a hearing aid, as shown and described.

(**) **Term:** **14 Years**

DESCRIPTION

(21) **Appl. No.:** **29/177,651**

FIG. 1 is a rear perspective view of a combined module and adapter for attachment to a hearing aid, showing my new design;

(22) **Filed:** **Mar. 14, 2003**

(30) **Foreign Application Priority Data**

Sep. 16, 2002 (DK) 2002 00731

FIG. 2 is a bottom right perspective view thereof;

(51) **LOC (7) Cl.** **24-04**

FIG. 3 is a left side elevation view thereof;

(52) **U.S. Cl.** **D24/174**

FIG. 4 is a rear elevation view thereof;

(58) **Field of Search** D24/174; 381/23.1, 381/312, 330; 181/129

FIG. 5 is a right side elevation view thereof;

FIG. 6 is a left side elevation view of the module portion;

FIG. 7 is a rear elevation view thereof;

FIG. 8 is a right side elevation view thereof;

FIG. 9 is a top plan view thereof;

FIG. 10 is a right rear perspective view thereof;

FIG. 11 is a rear perspective view of the adapter portion;

FIG. 12 is a front perspective view thereof;

FIG. 13 is a bottom perspective view thereof;

FIG. 14 is a left side elevation view thereof;

FIG. 15 is a rear elevation view thereof;

FIG. 16 is a right side elevation view thereof; and,

FIG. 17 is a front elevation view thereof.

(56) **References Cited**

U.S. PATENT DOCUMENTS

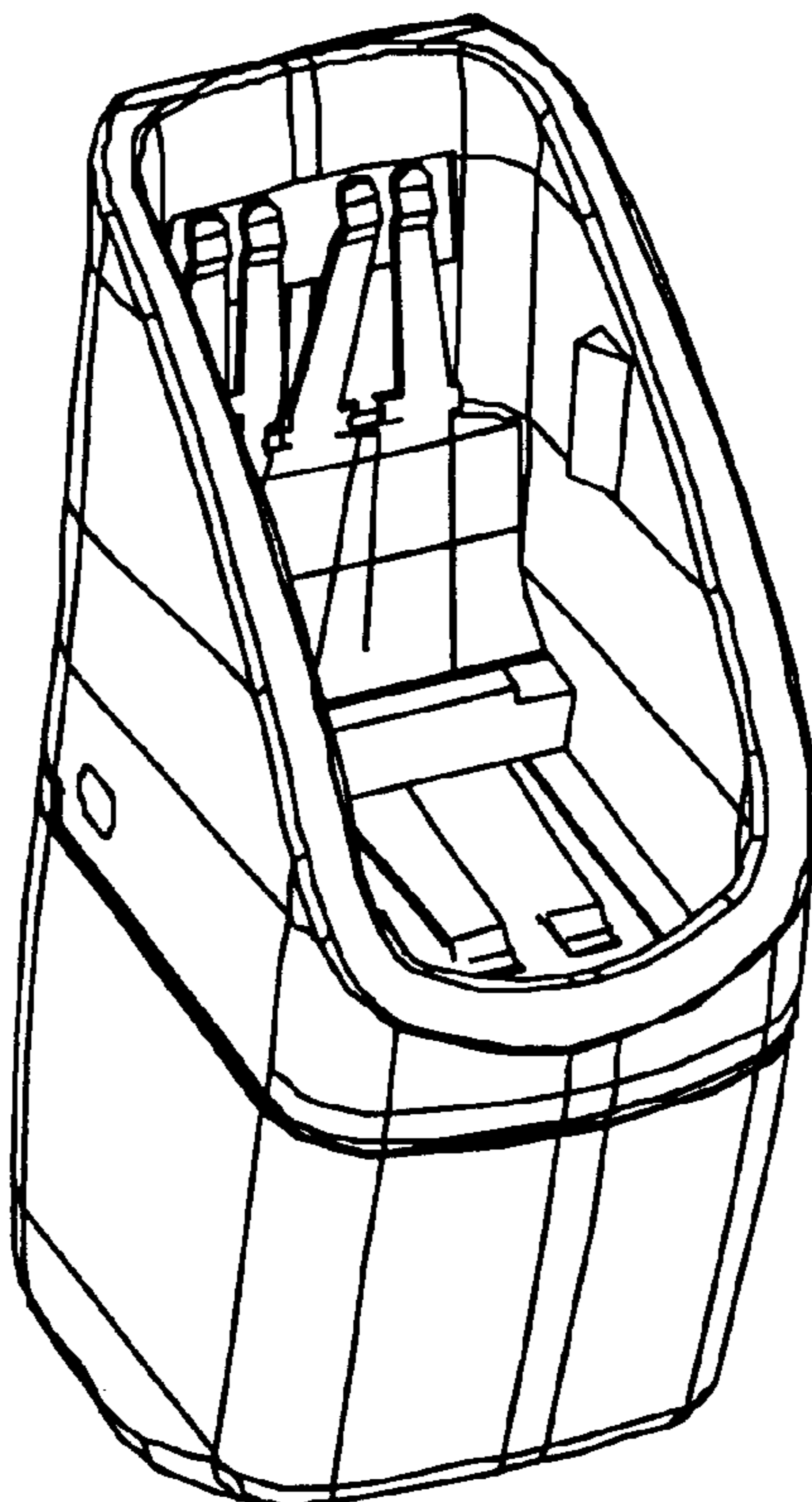
3,101,155 A * 8/1963 Lehr et al. 220/4.02
D354,568 S * 1/1995 Araki et al. D24/174
D457,635 S 5/2002 Dittli et al.

FOREIGN PATENT DOCUMENTS

DE 3032311 3/1981
EP 0087668 A1 9/1983
EP 0806885 11/1997

* cited by examiner

1 Claim, 3 Drawing Sheets



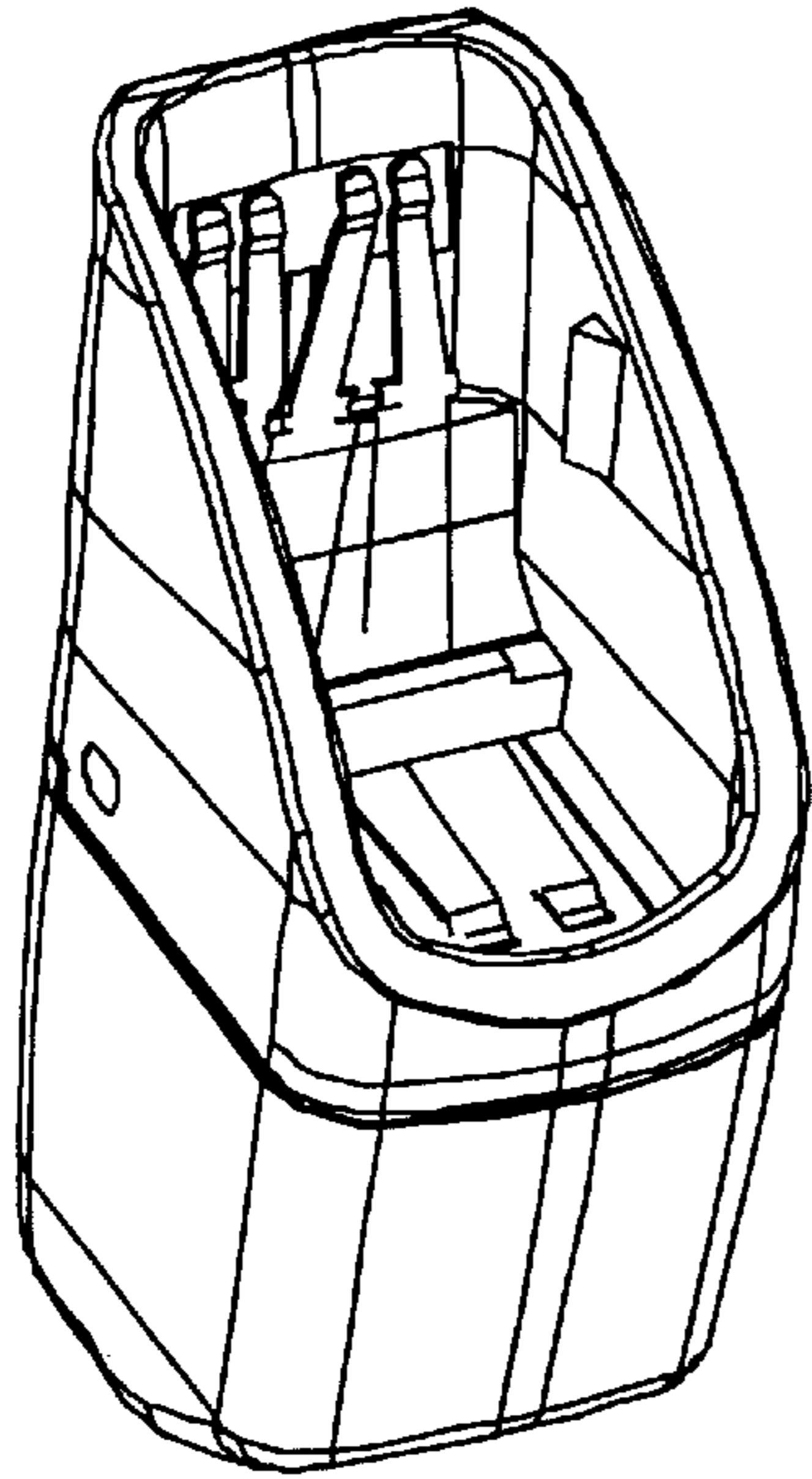


Figure 1

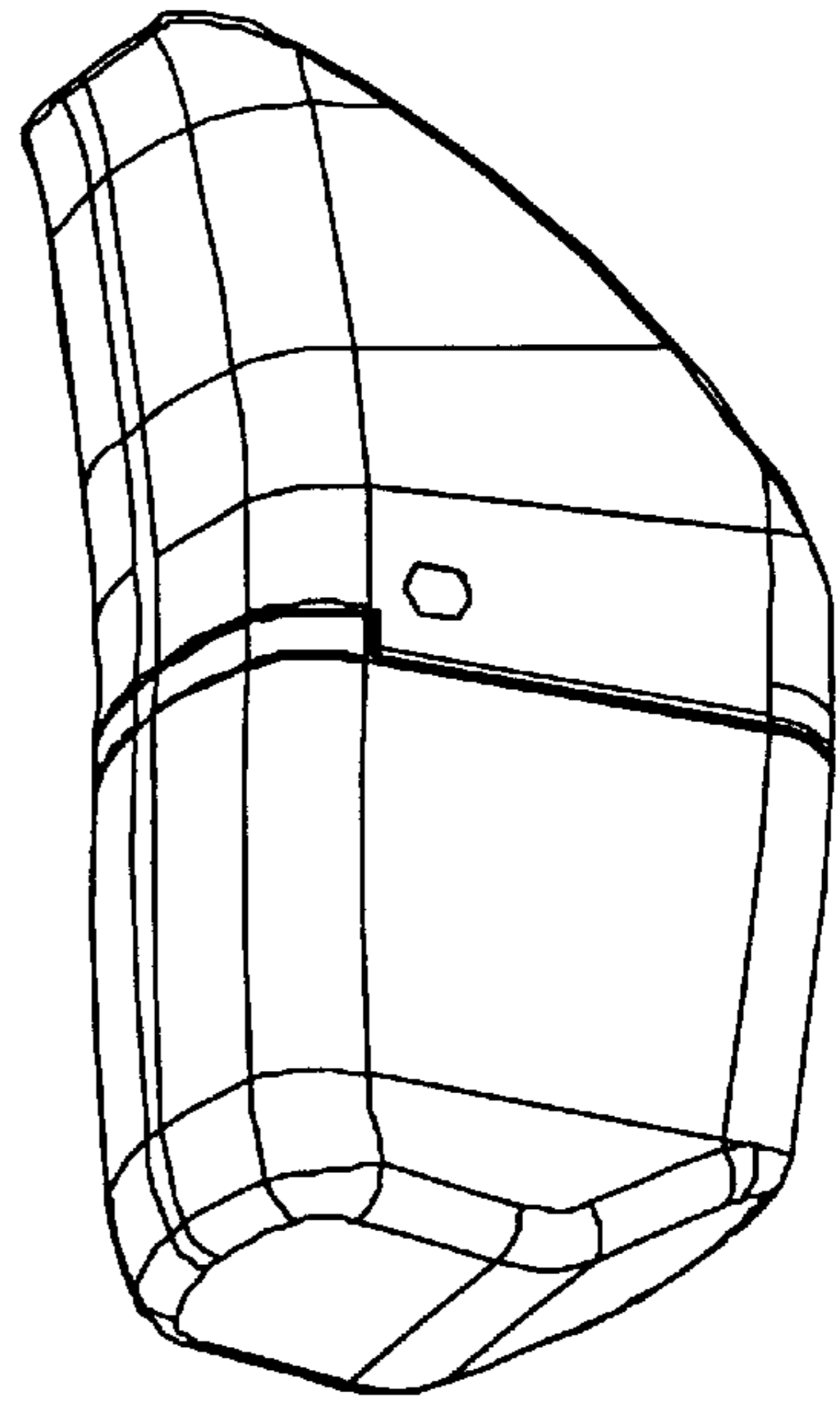


Figure 2

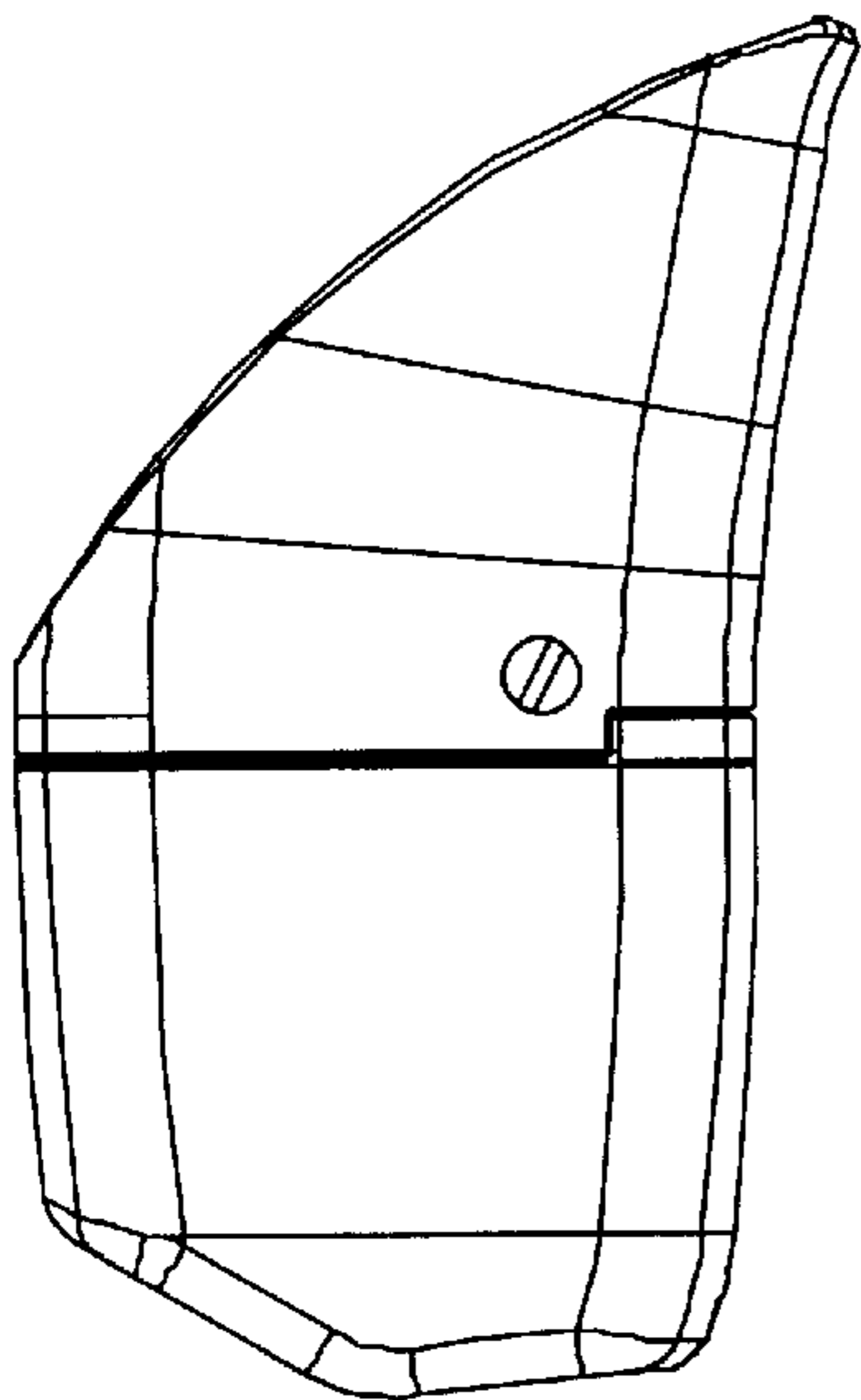


Figure 3

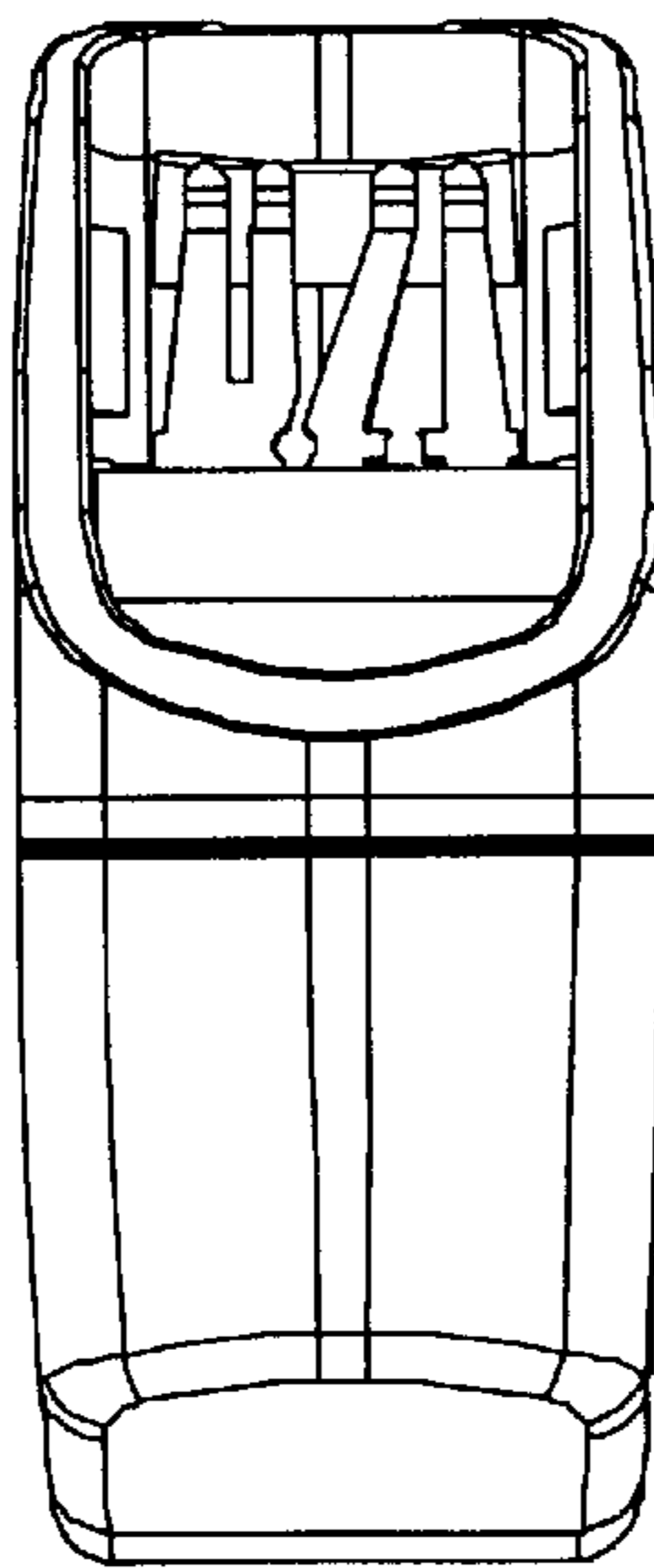


Figure 4

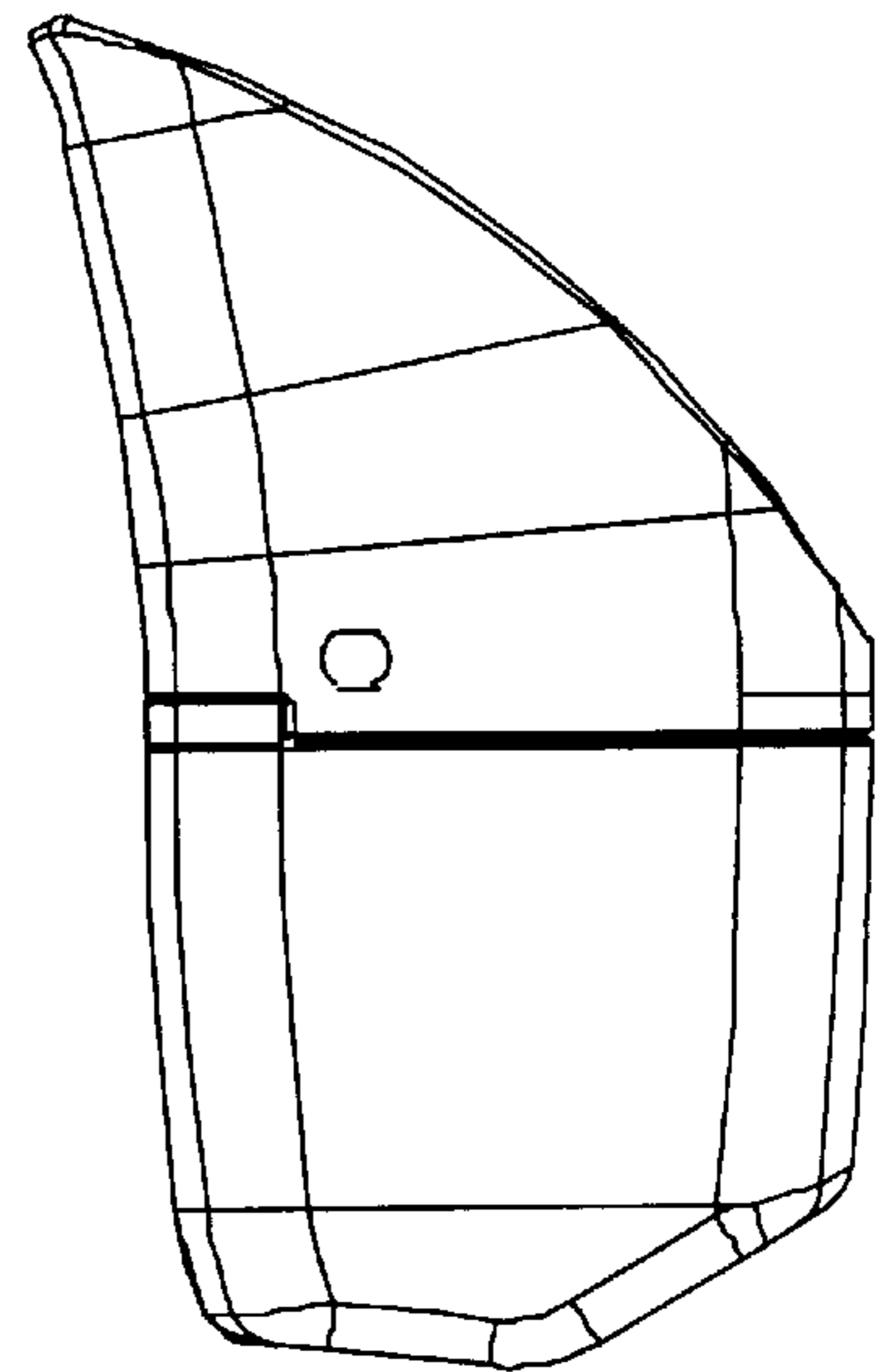


Figure 5

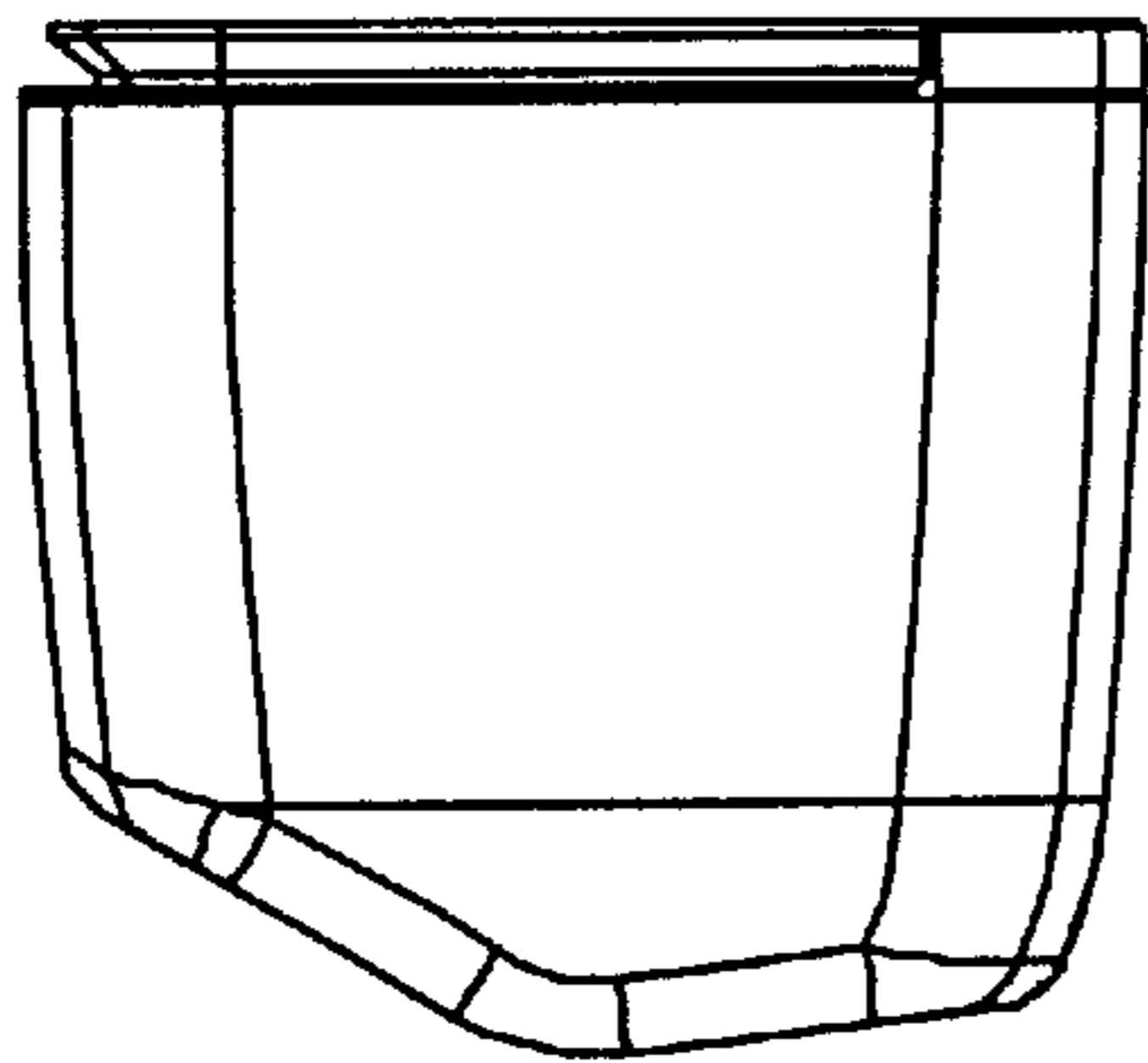


Figure 6

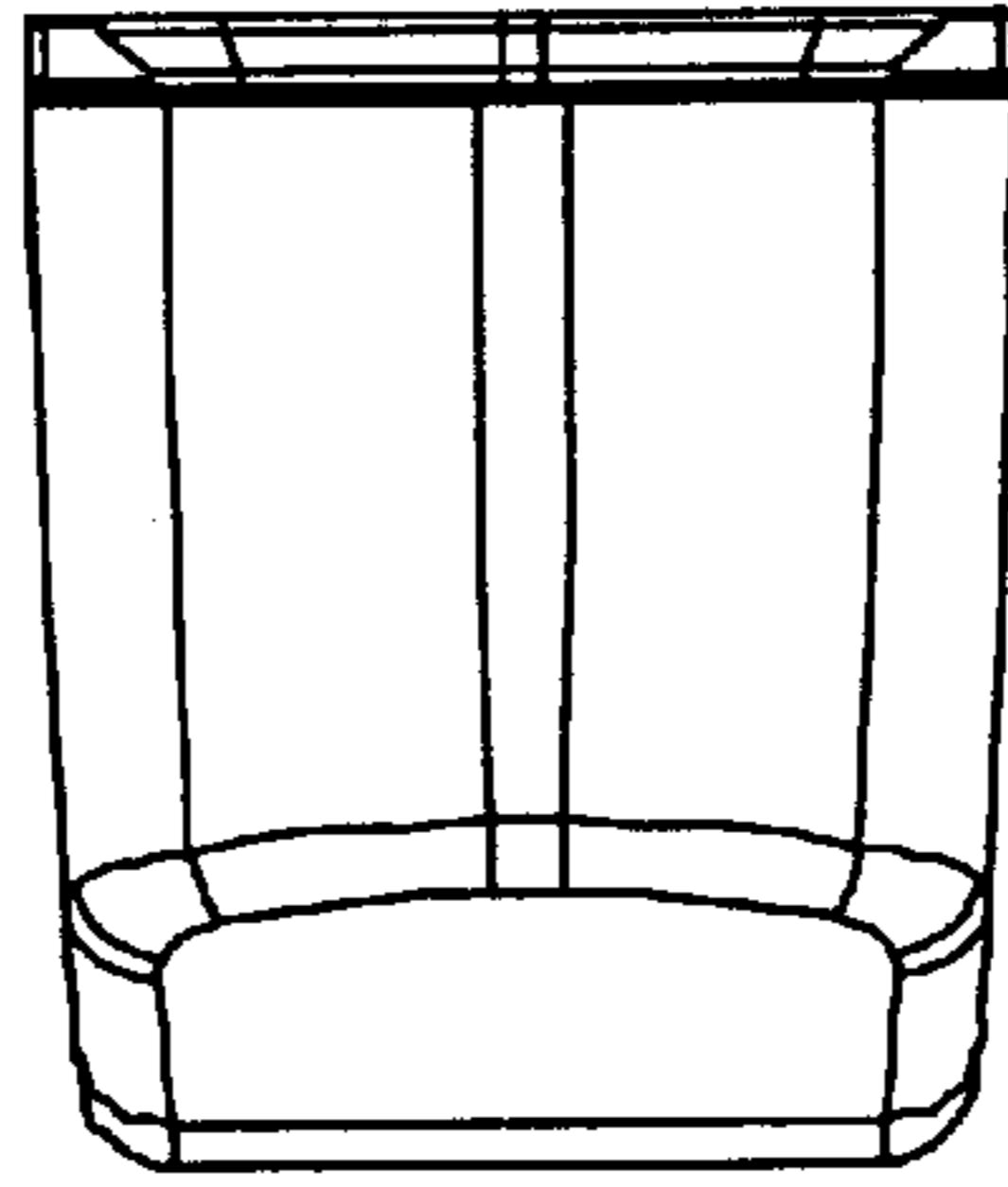


Figure 7

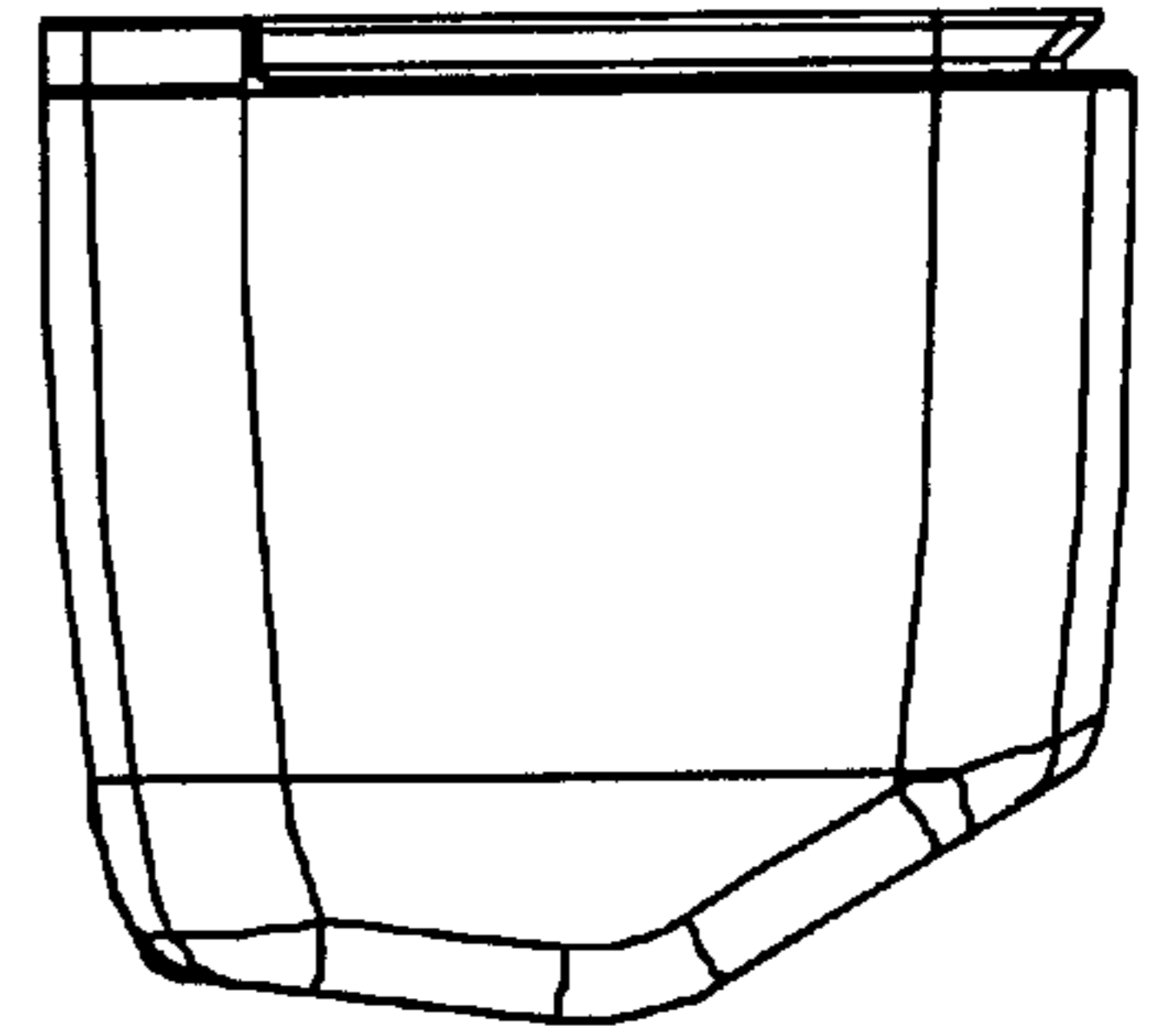


Figure 8

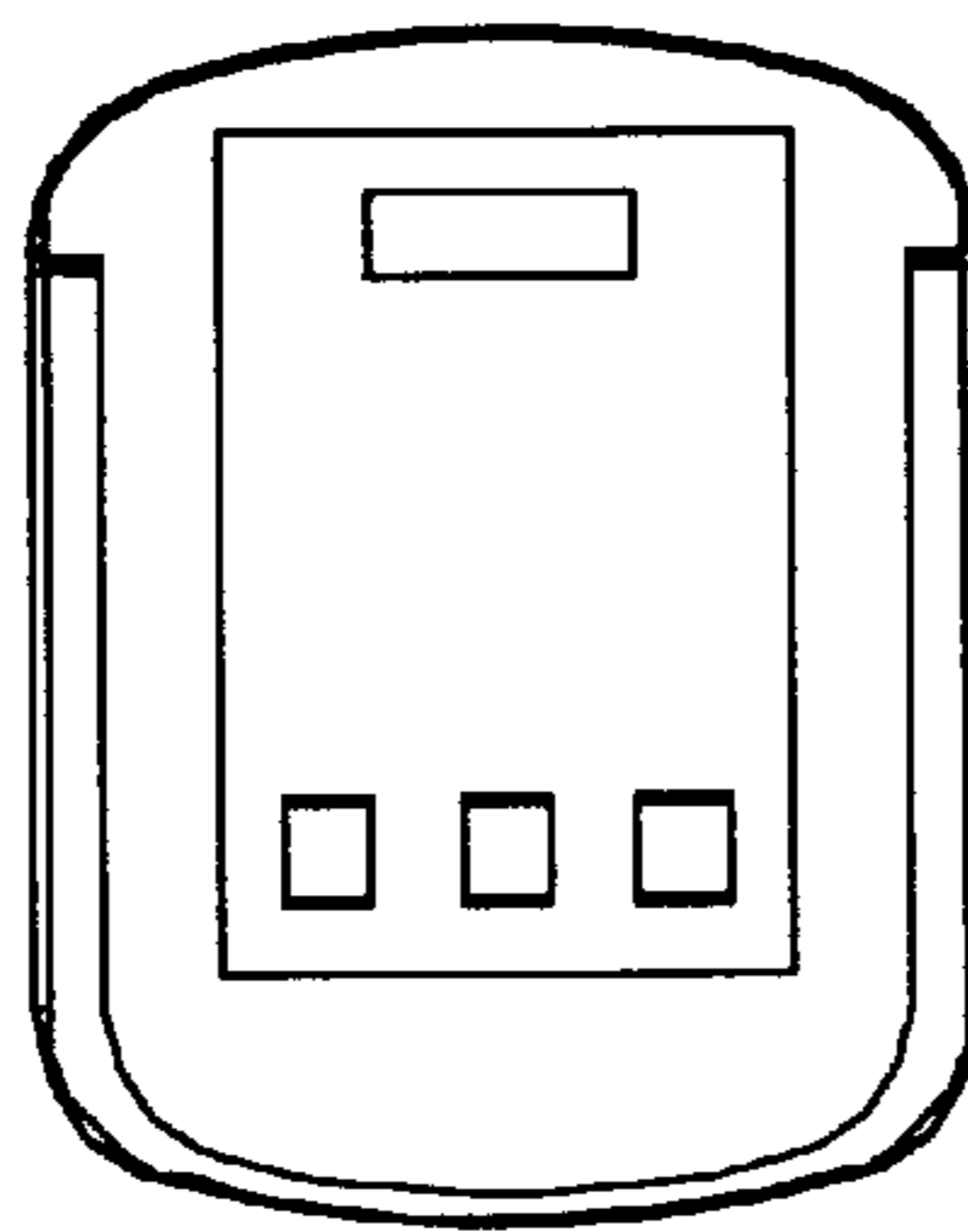


Figure 9

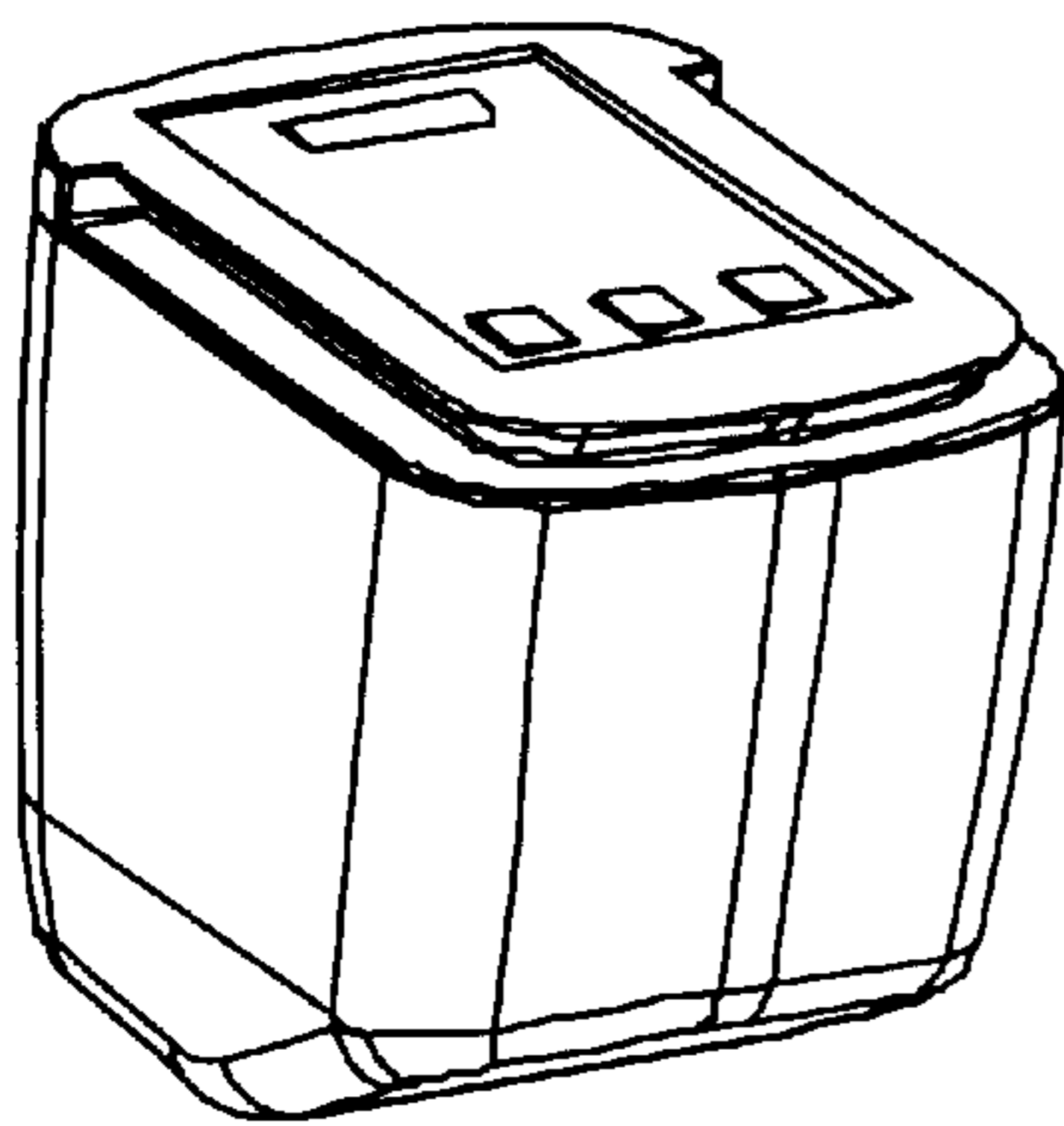


Figure 10

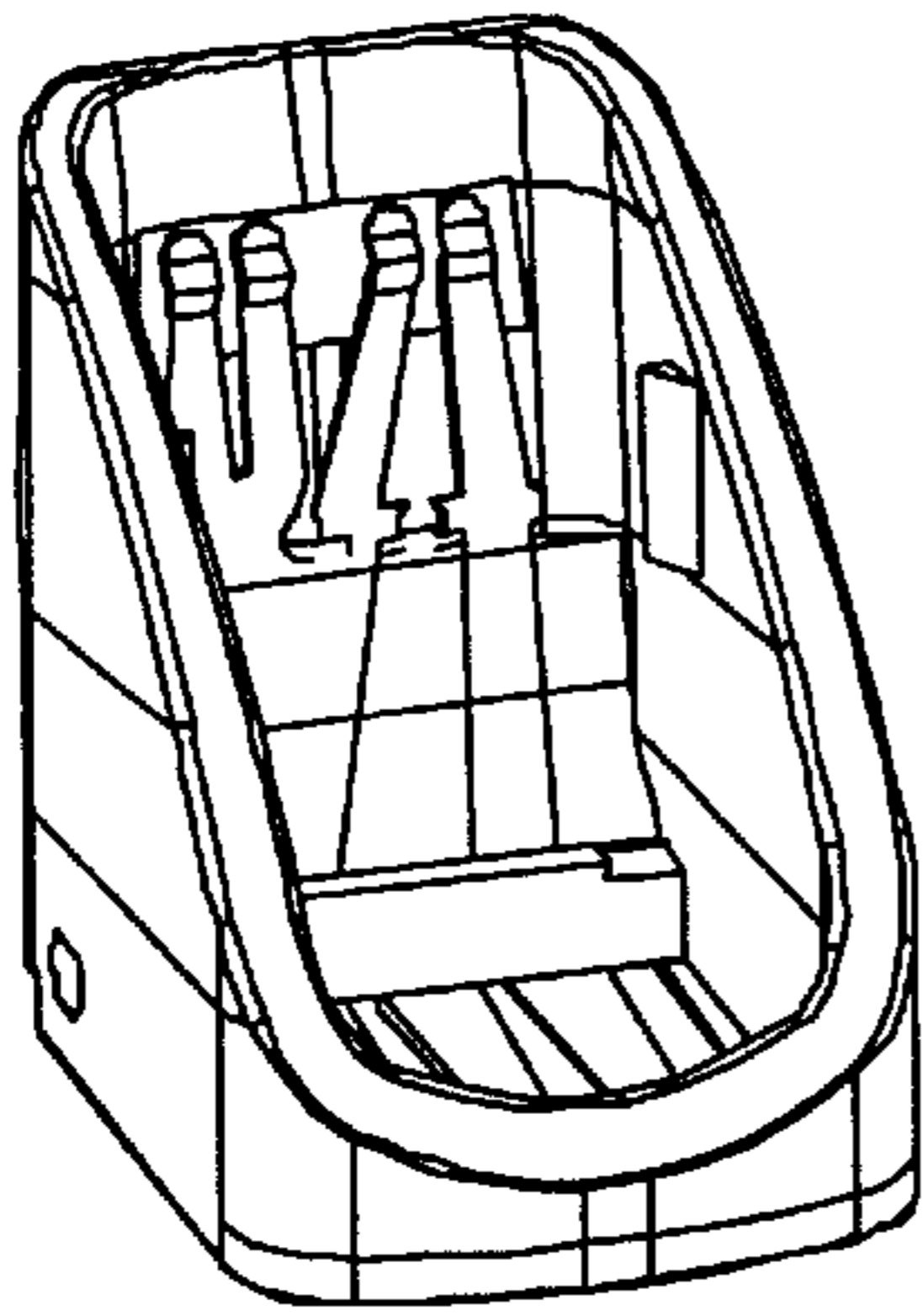


Figure 11

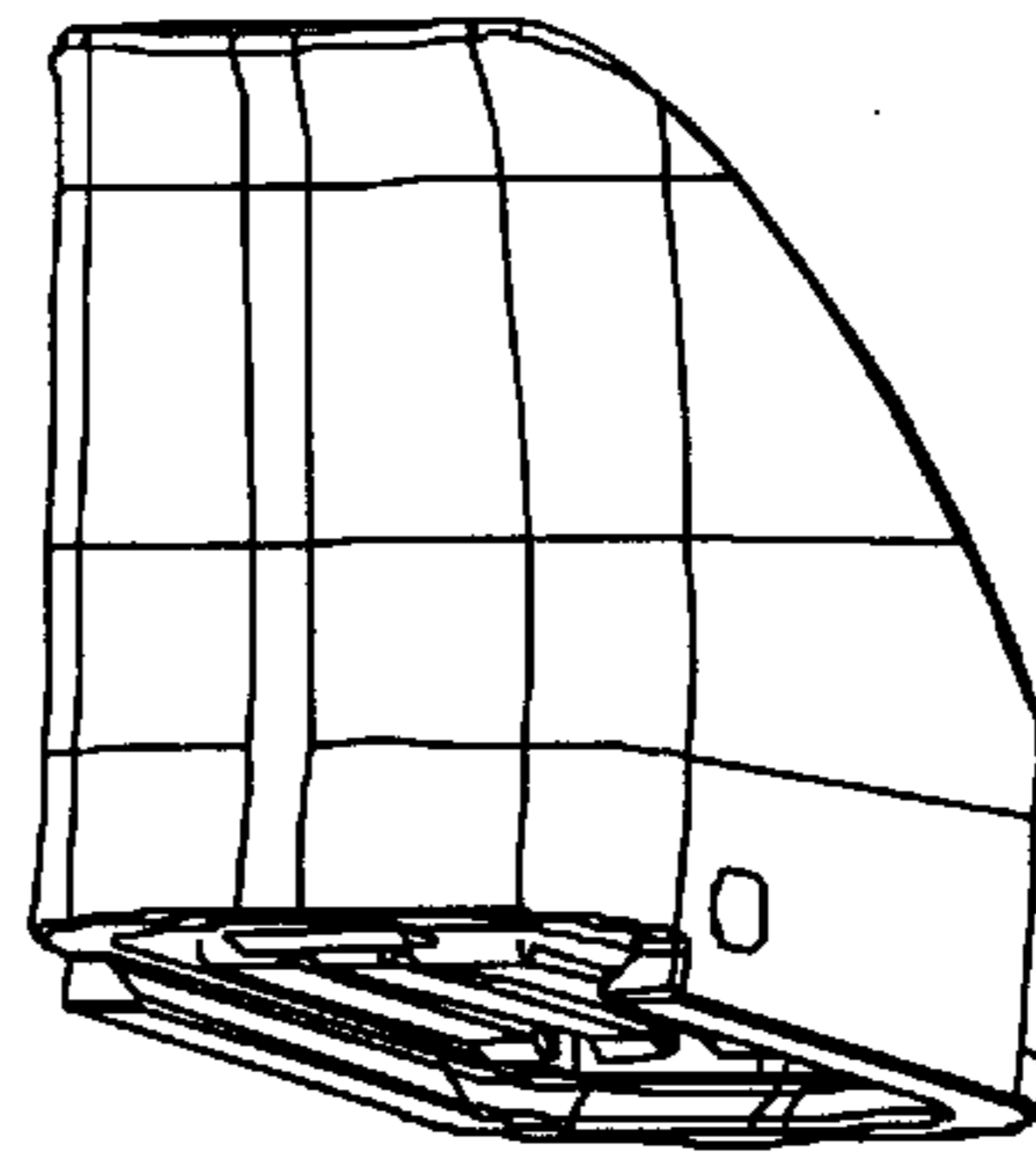


Figure 12

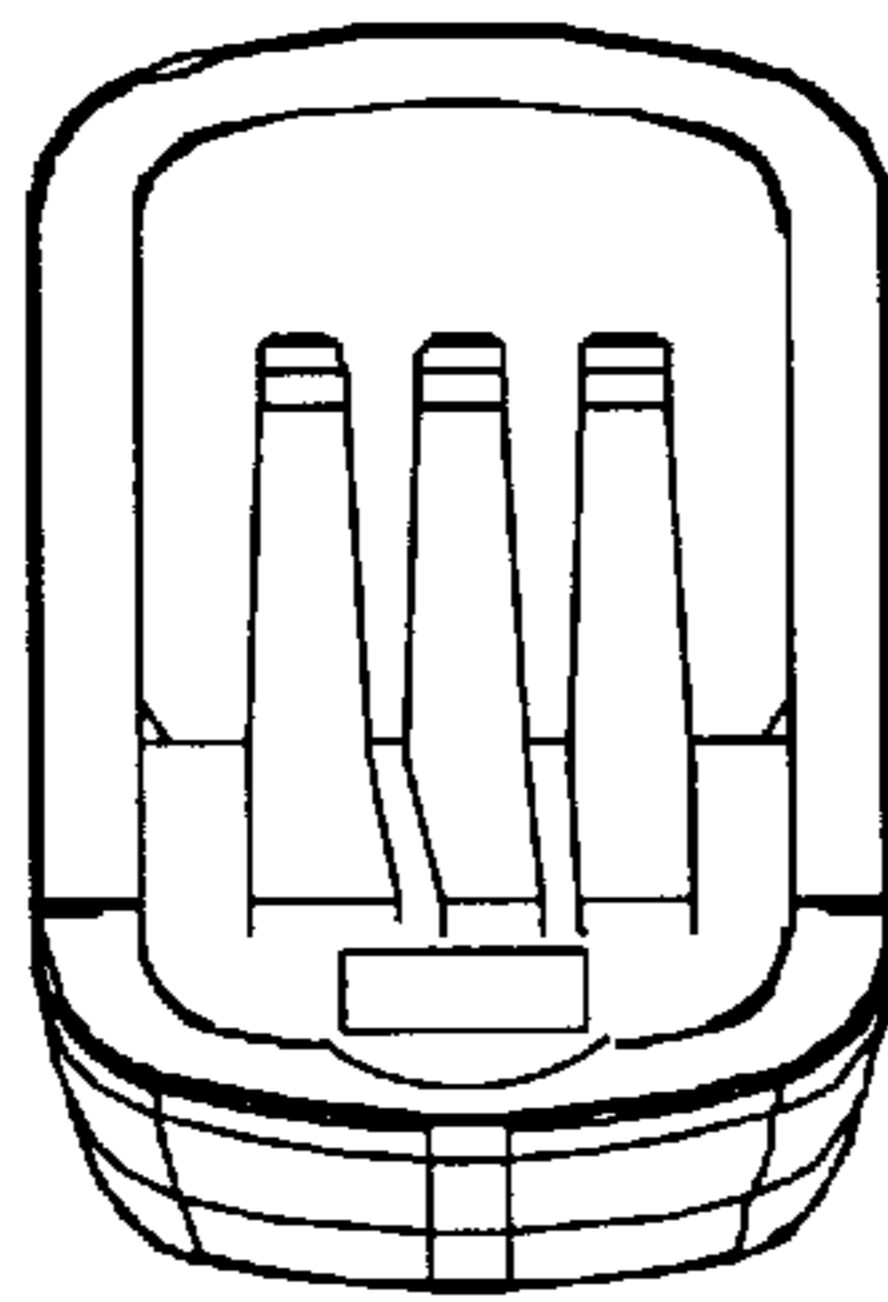


Figure 13

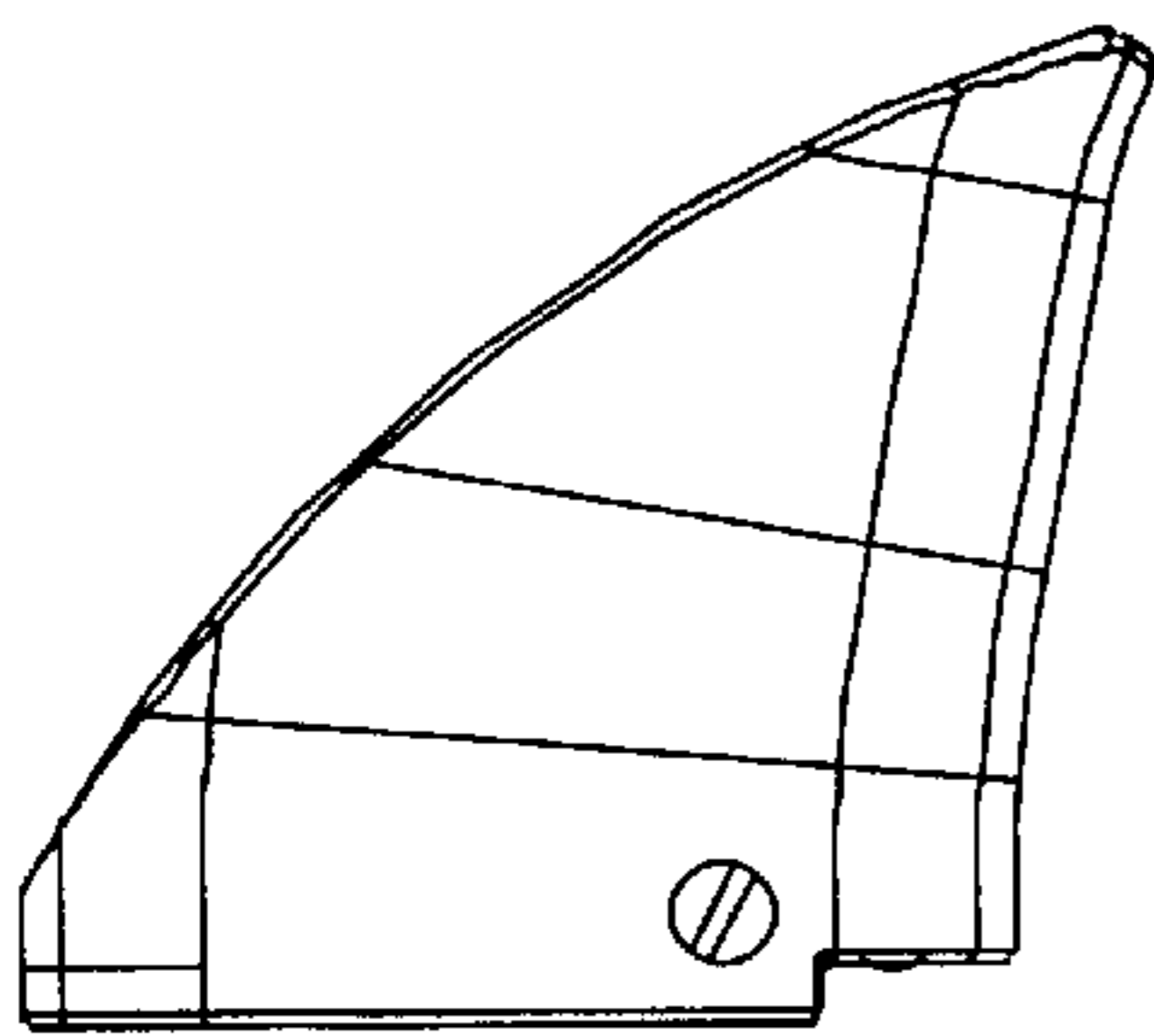


Figure 14

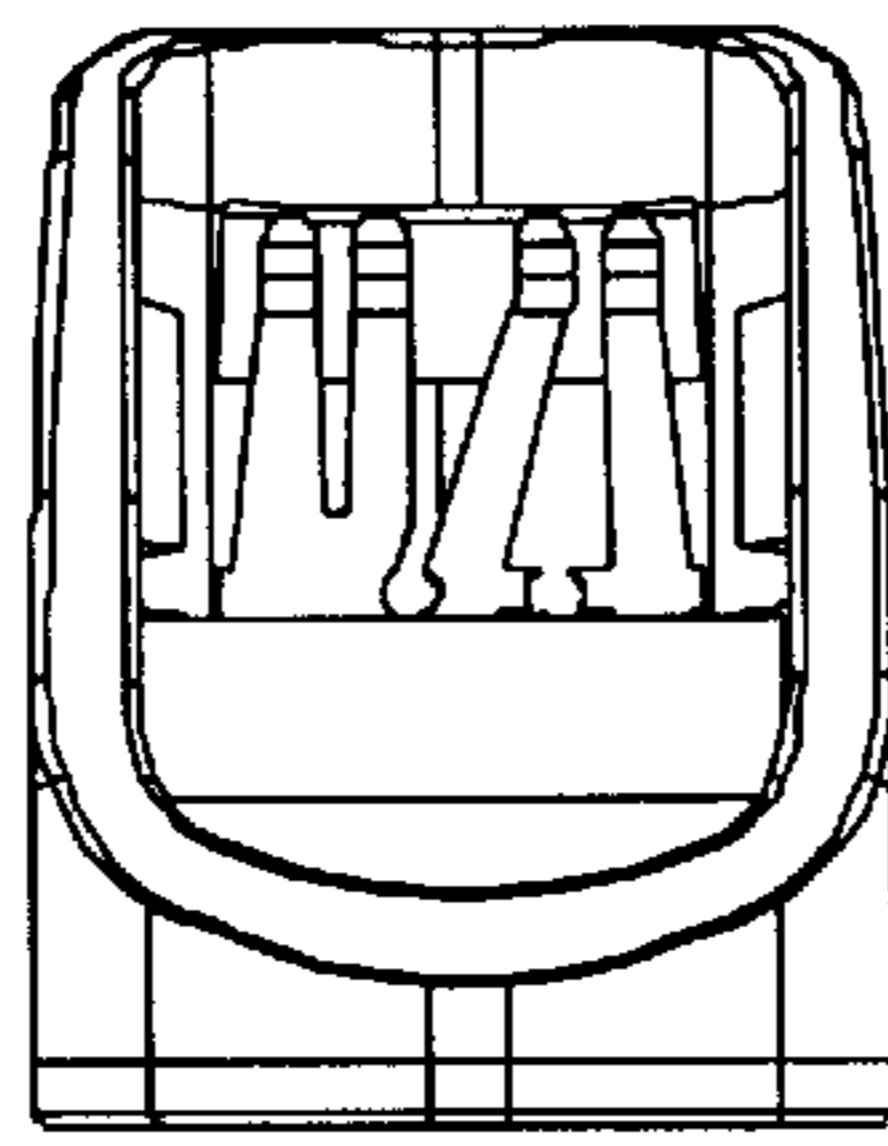


Figure 15

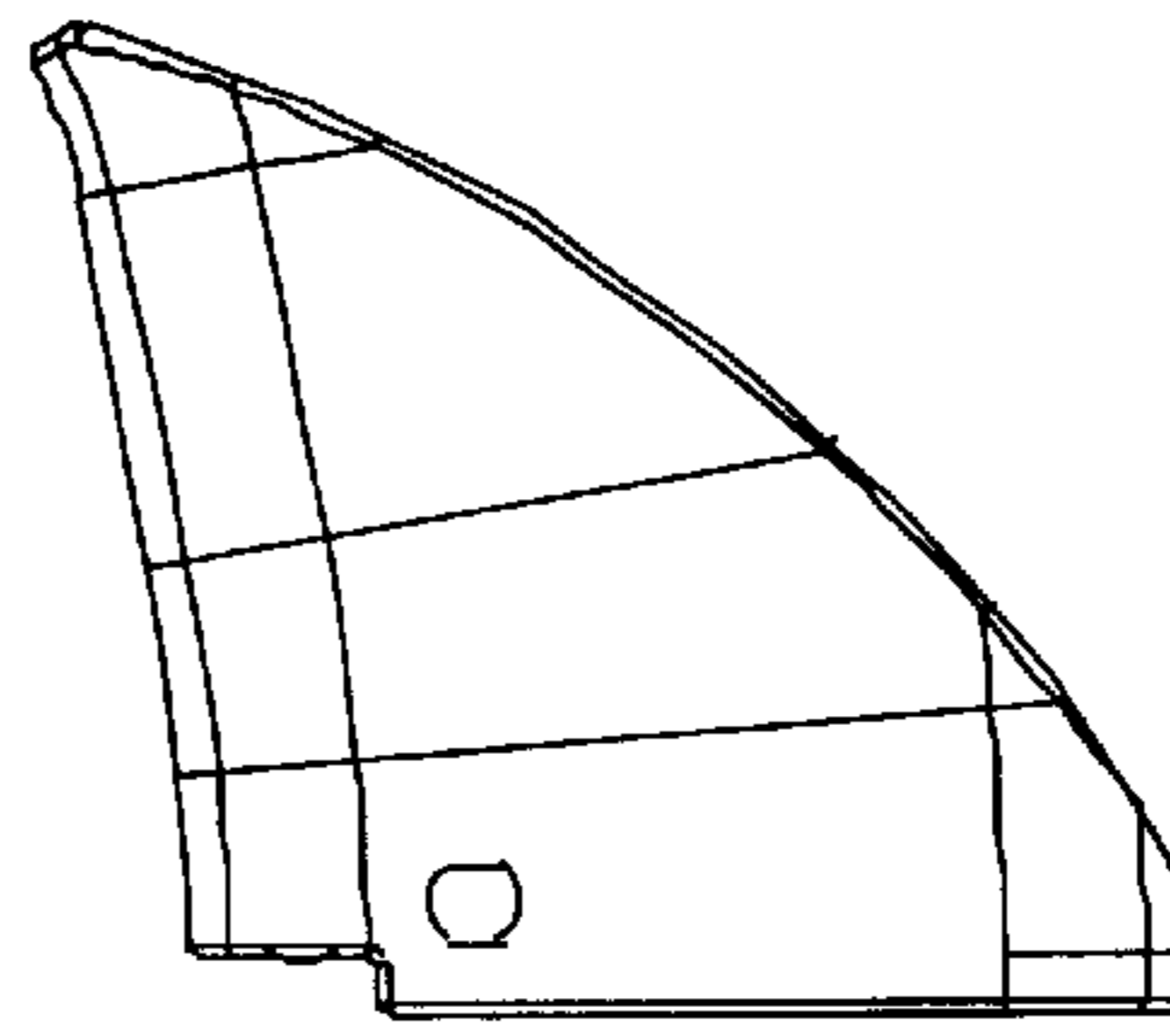


Figure 16

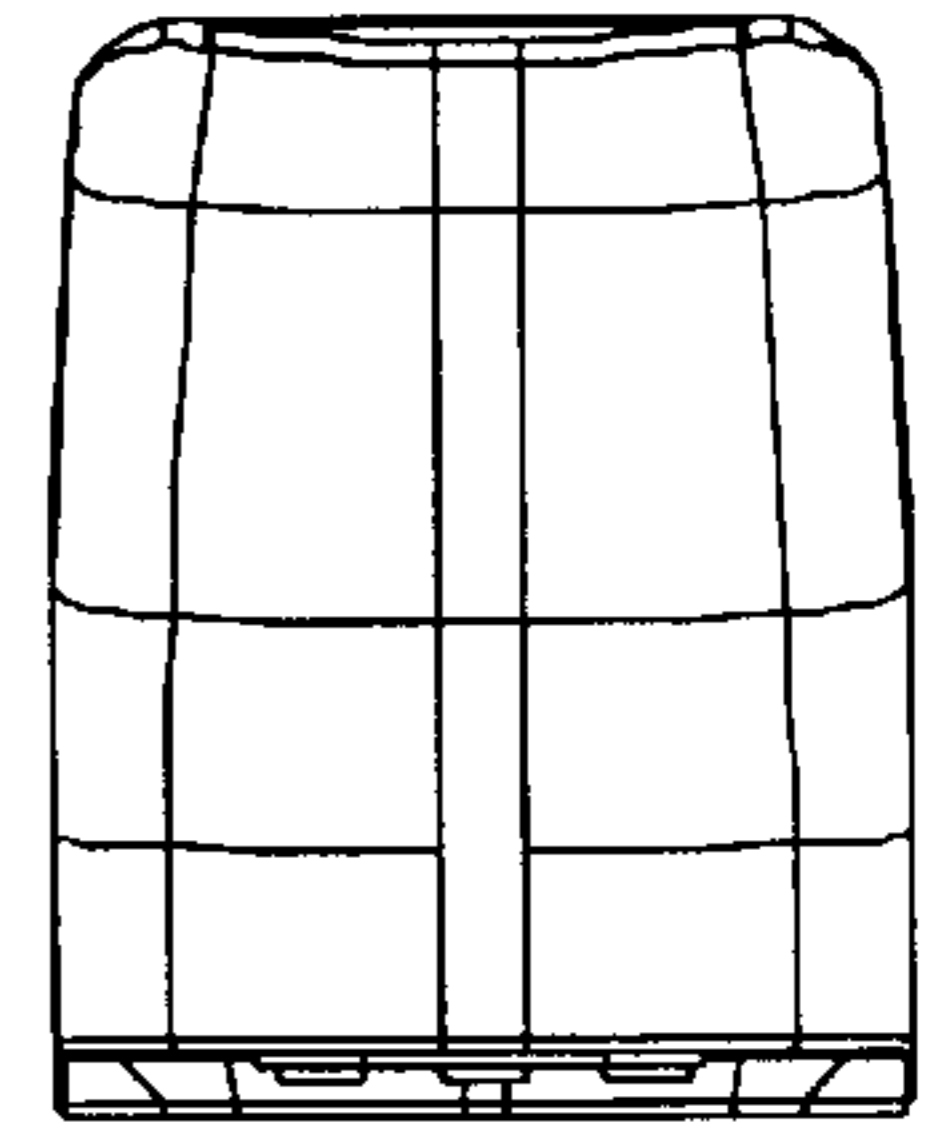


Figure 17