



US00D484975S

(12) **United States Design Patent**  
**Belokin**

(10) **Patent No.:** **US D484,975 S**

(45) **Date of Patent:** **\*\* Jan. 6, 2004**

(54) **MOBILE BASE**

(76) **Inventor:** **Paul Belokin**, 7801 I-35 North, Denton, TX (US) 76202

(\*\*) **Term:** **14 Years**

(21) **Appl. No.:** **29/164,392**

(22) **Filed:** **Jul. 25, 2002**

(51) **LOC (7) Cl.** ..... **24-01**

(52) **U.S. Cl.** ..... **D24/128**

(58) **Field of Search** ..... D24/128; 604/243, 604/245, 246, 253; 248/125.8, 129, 121; 211/206, 205, 204

(56) **References Cited**

**U.S. PATENT DOCUMENTS**

- 4,905,944 A \* 3/1990 Jost et al. .... D24/128
- D310,570 S \* 9/1990 Wells ..... D24/128
- 6,390,311 B1 \* 5/2002 Belokin ..... 211/204

\* cited by examiner

*Primary Examiner*—Ian Simmons

(74) *Attorney, Agent, or Firm*—Jack A. Kanz

(57) **CLAIM**

The ornamental design for a mobile base, as shown and described.

**DESCRIPTION**

FIG. 1 is a top perspective view of a mobile base showing my new design;

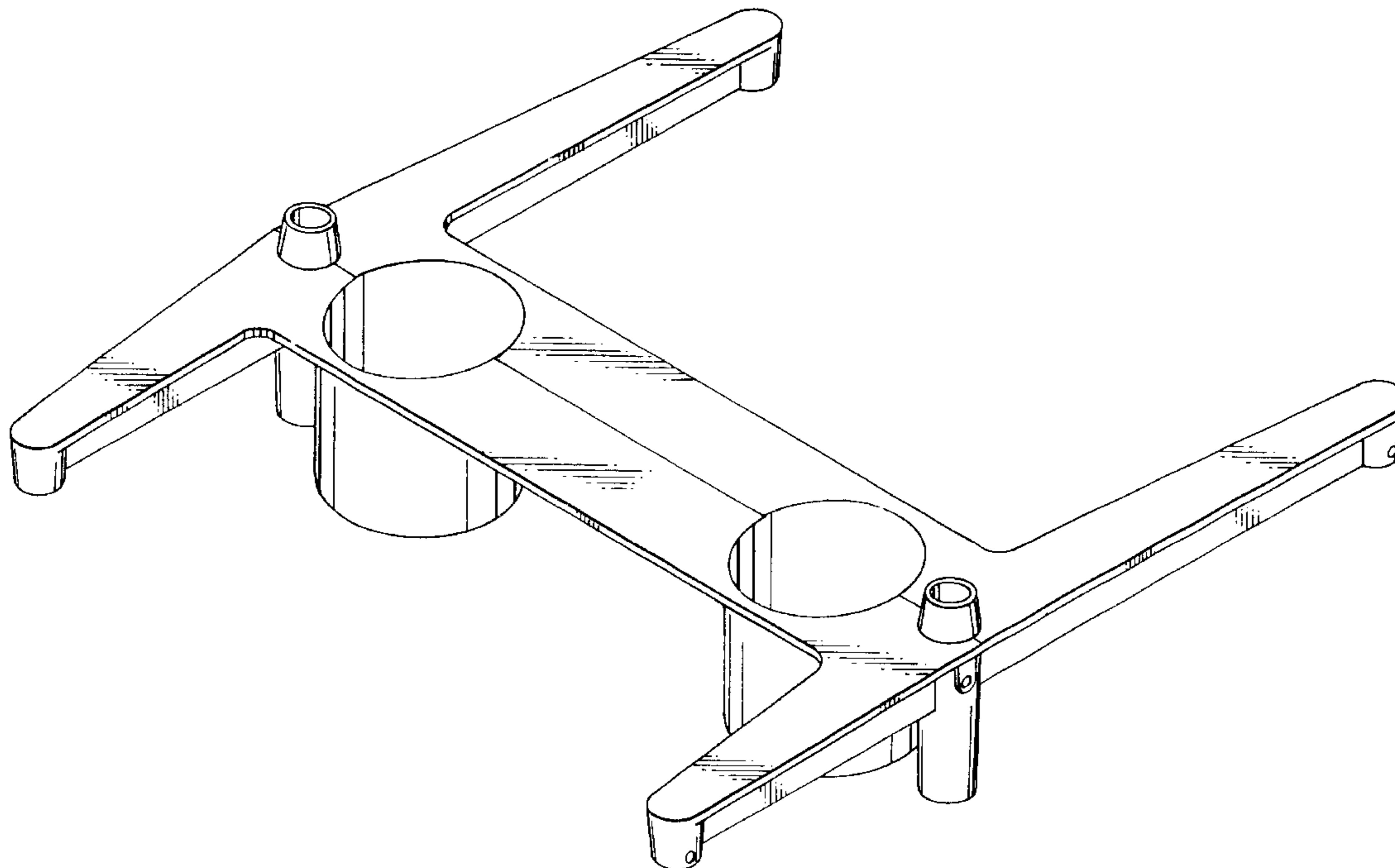
FIG. 2 is a top plan view thereof;

FIG. 3 is a front elevational view thereof, the rear elevational view being a mirror image of FIG. 3;

FIG. 4 is a side elevational view of the right hand side thereof, the left hand side view being a mirror image of FIG. 4; and,

FIG. 5 is a bottom plan view of my mobile base.

**1 Claim, 3 Drawing Sheets**



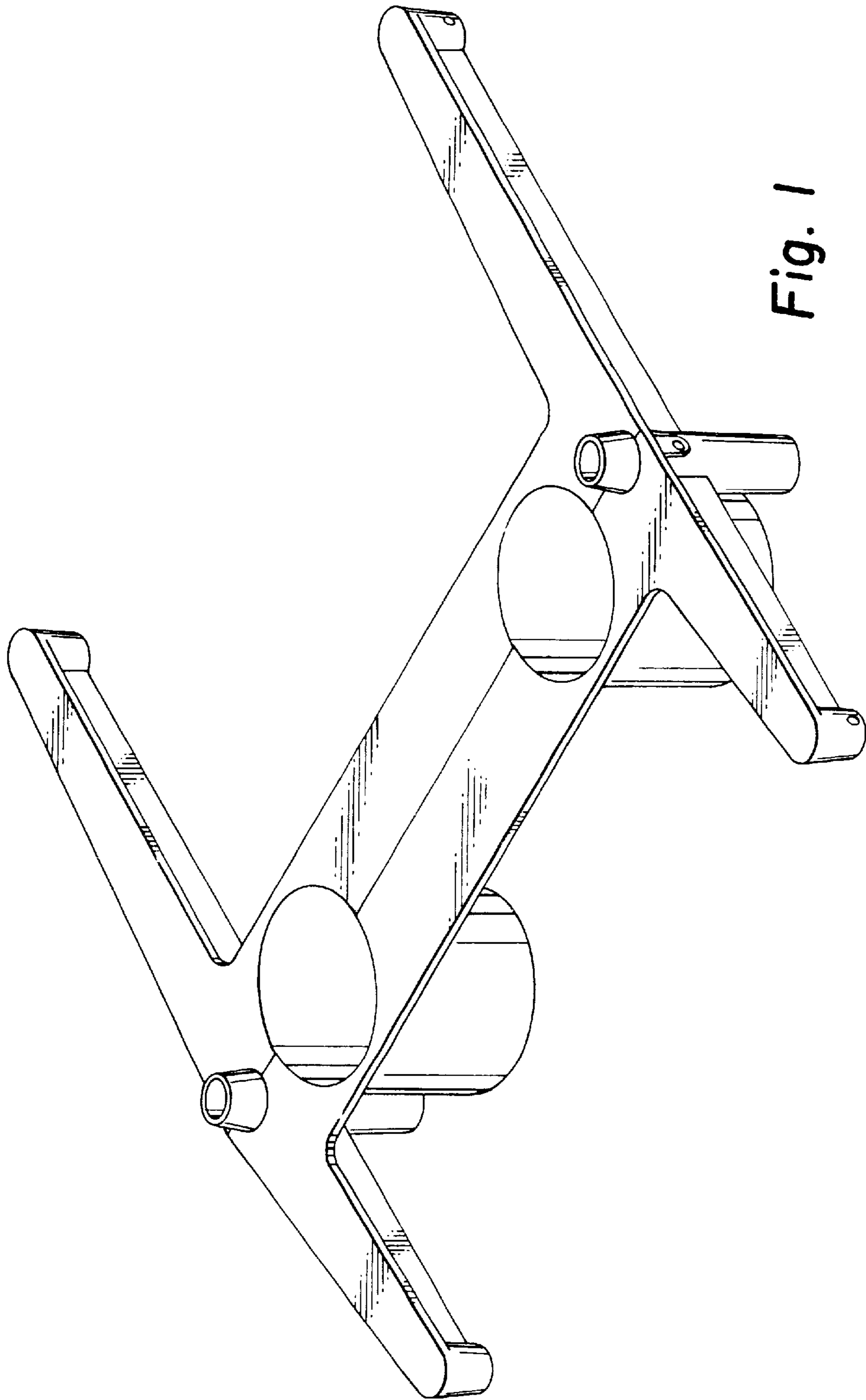
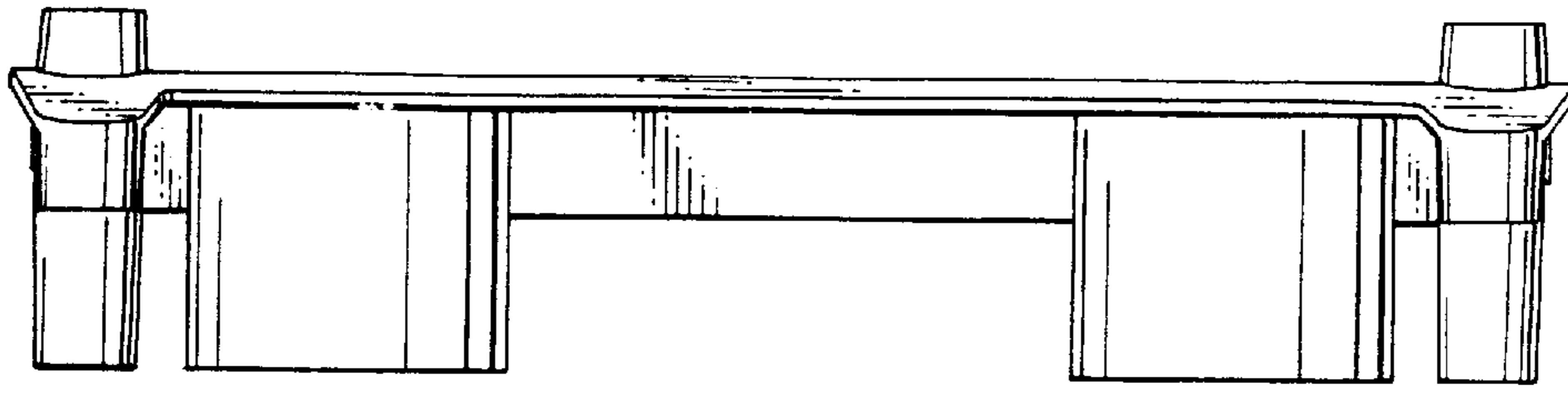
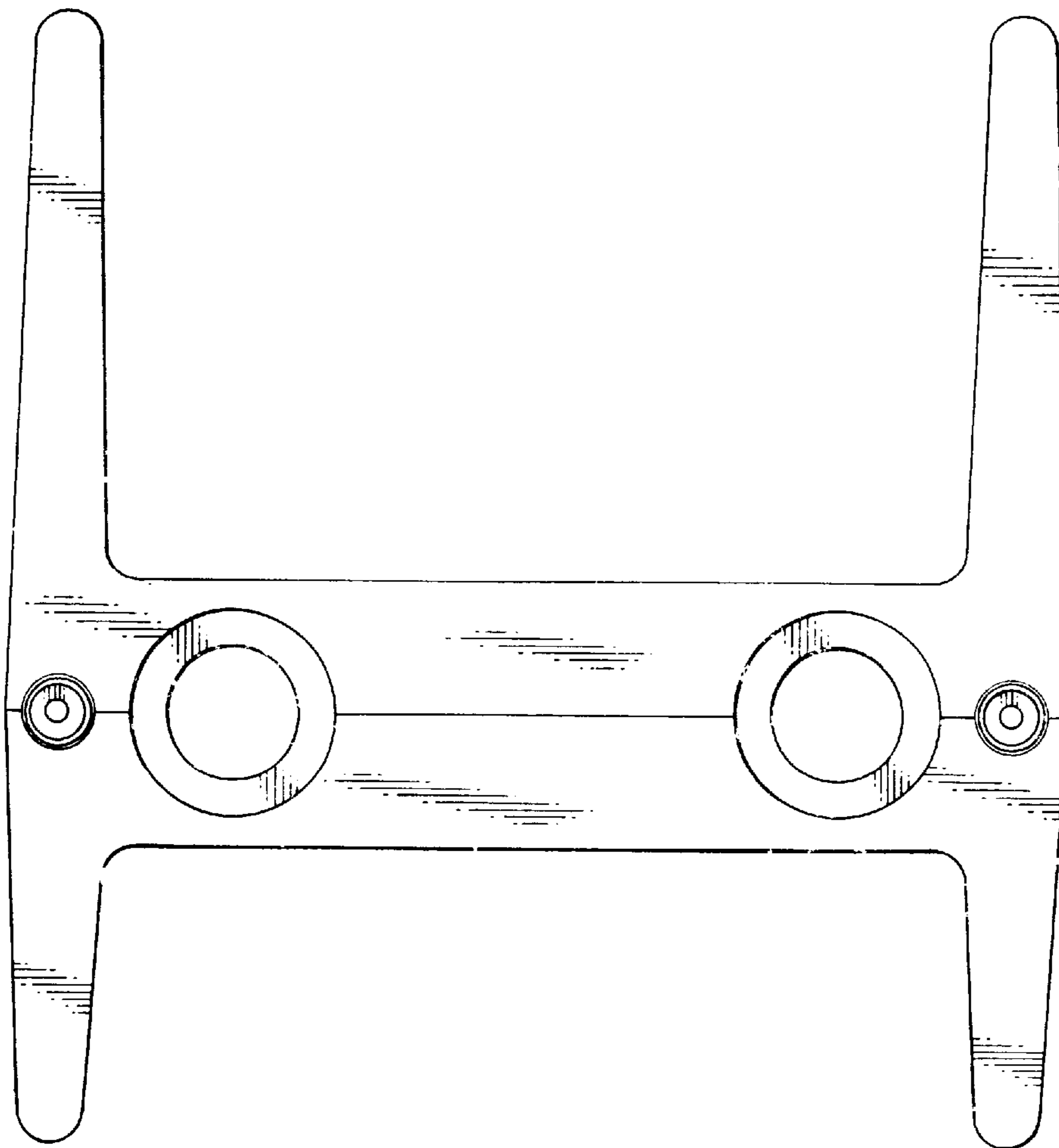


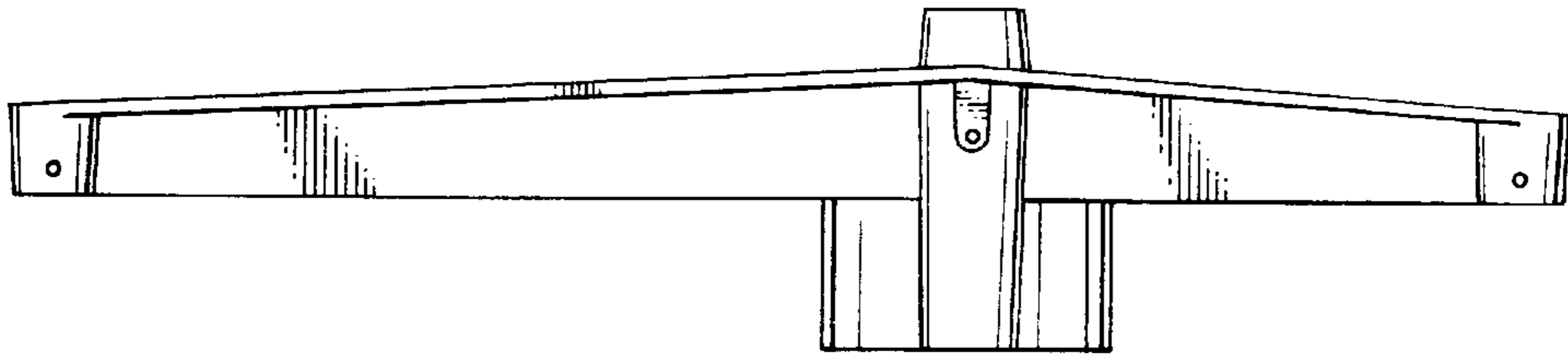
Fig. 1



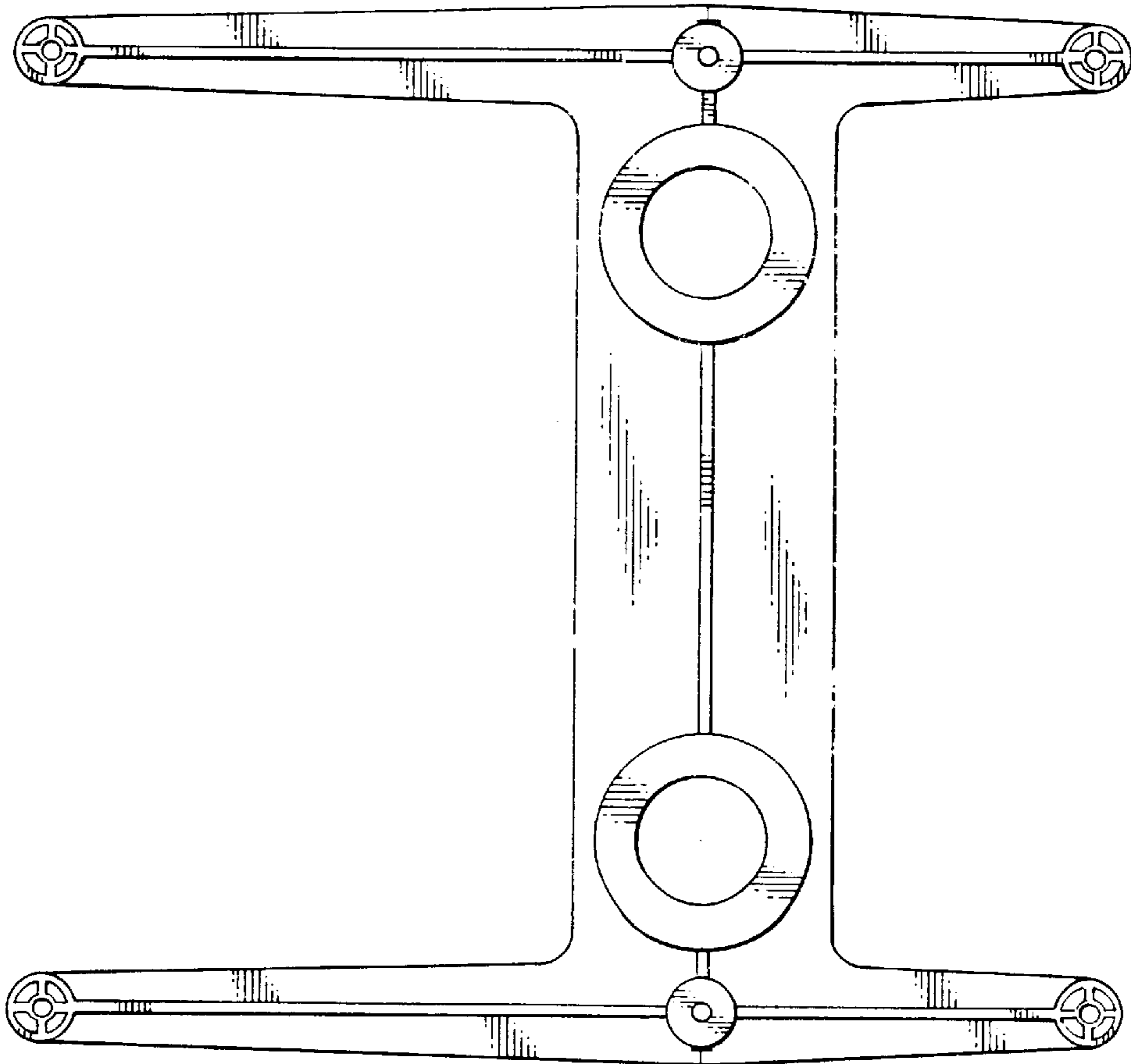
*Fig. 3*



*Fig. 2*



*Fig. 4*



*Fig. 5*