



US00D484967S

(12) **United States Design Patent**
Huang

(10) **Patent No.:** **US D484,967 S**

(45) **Date of Patent:** **** Jan. 6, 2004**

(54) **CEILING FAN MOTOR HOUSING**

Hunter Fan Company 2002 Brochure, Tribeca, Cote d' Azur, Salinas, Dimensions, and Santa Barbara.

(75) Inventor: **Hsiao-ching Huang**, Memphis, TN (US)

* cited by examiner

(73) Assignee: **Hunter Fan Company**, Memphis, TN (US)

Primary Examiner—Lisa Lichtenstein
(74) *Attorney, Agent, or Firm*—Baker Donelson

(**) Term: **14 Years**

(57) **CLAIM**

(21) Appl. No.: **29/182,389**

The ornamental design for a ceiling fan motor housing, as shown and described.

(22) Filed: **May 23, 2003**

(51) **LOC (7) Cl.** **23-04**

(52) **U.S. Cl.** **D23/411**

(58) **Field of Search** D23/411, 377,
D23/379, 385; 416/5; 392/364

DESCRIPTION

(56) **References Cited**

U.S. PATENT DOCUMENTS

D409,302 S * 5/1999 Zuege D23/411
D414,857 S * 10/1999 Zuege D23/377

FIG. 1 is a perspective view of a ceiling fan motor housing showing my new design.

FIG. 2 is a front view thereof, the rear view, right side view and left side view being the same thereof.

FIG. 3 is a top view thereof; and,

FIG. 4 is a bottom view thereof.

The phantom lines are to indicate environment only and are not intended to form a part of the claimed design.

OTHER PUBLICATIONS

Casablanca Fan Company 2002 Product Catalog p. 24 (Brescia), p. 36 (Concentra), and p. 37 (Campana).

1 Claim, 2 Drawing Sheets

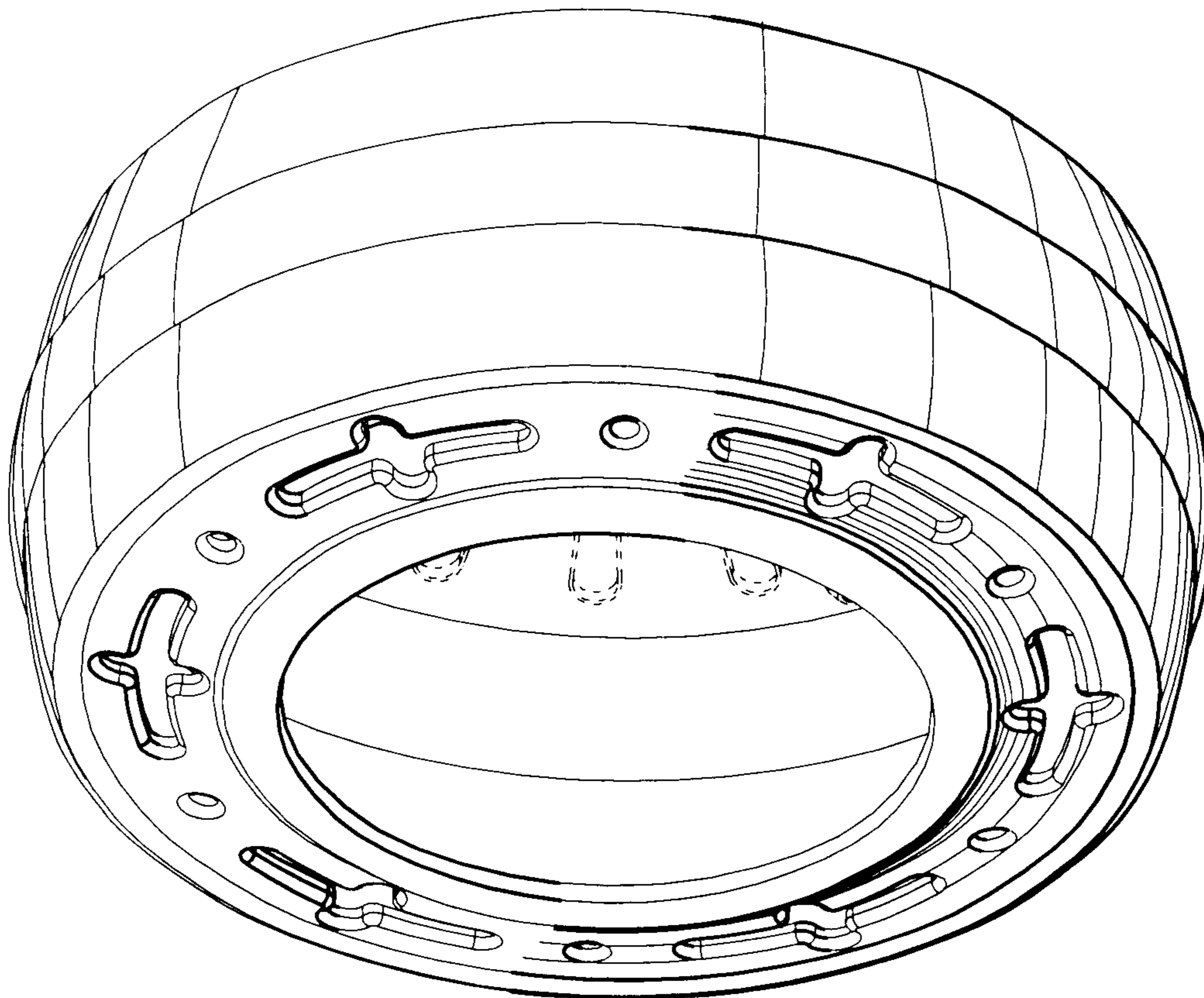


Fig. 1

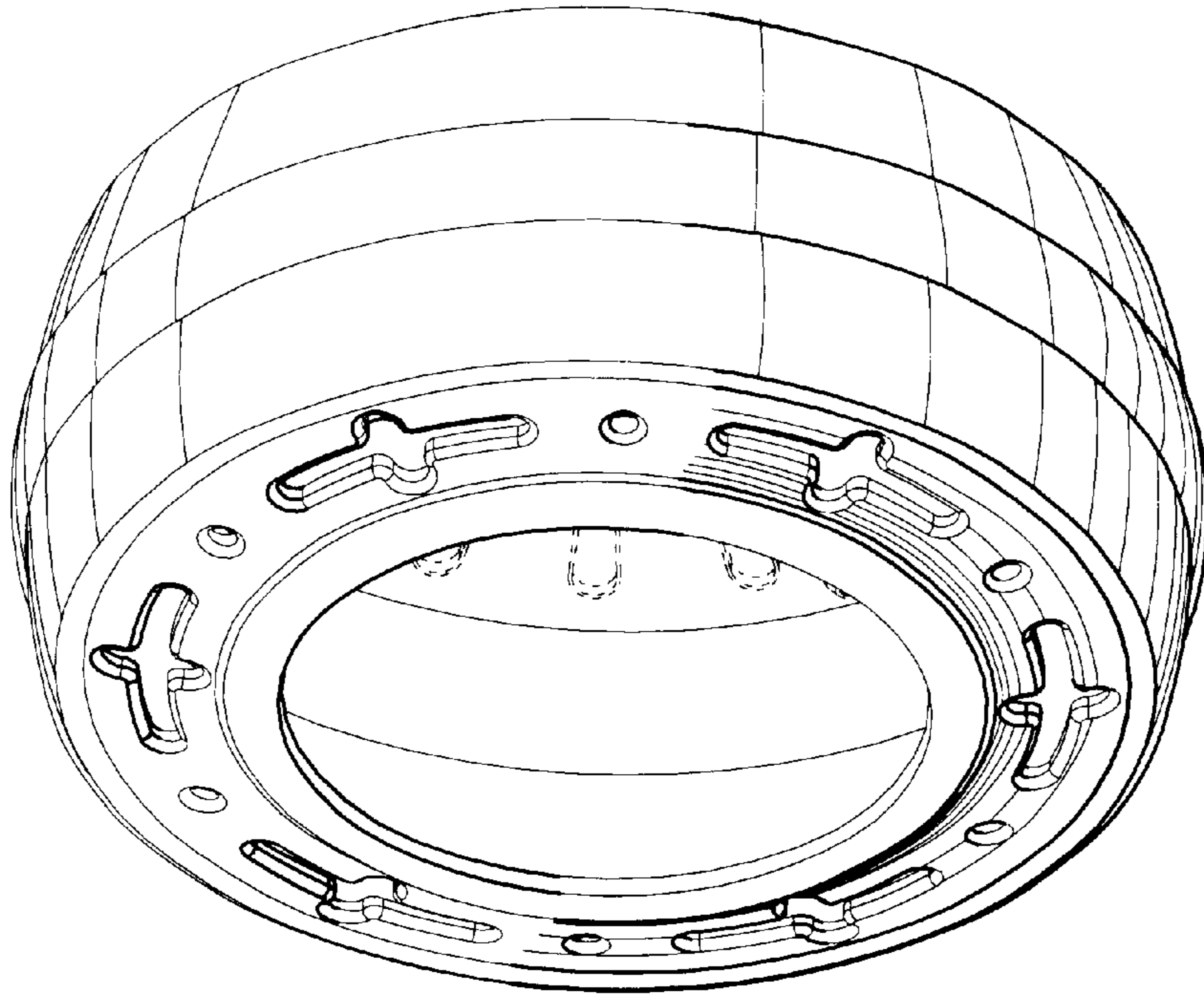


Fig. 2

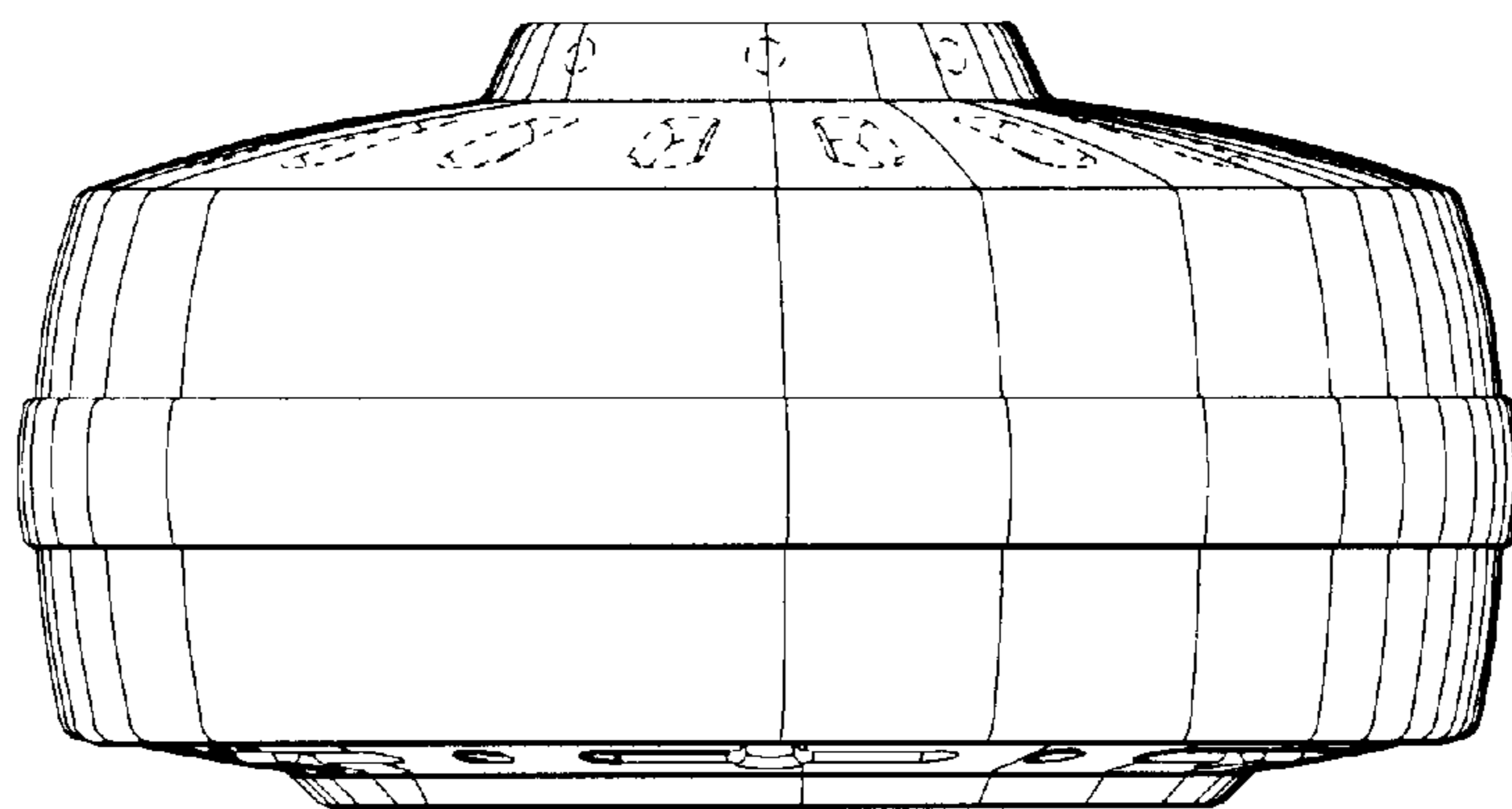


Fig. 3

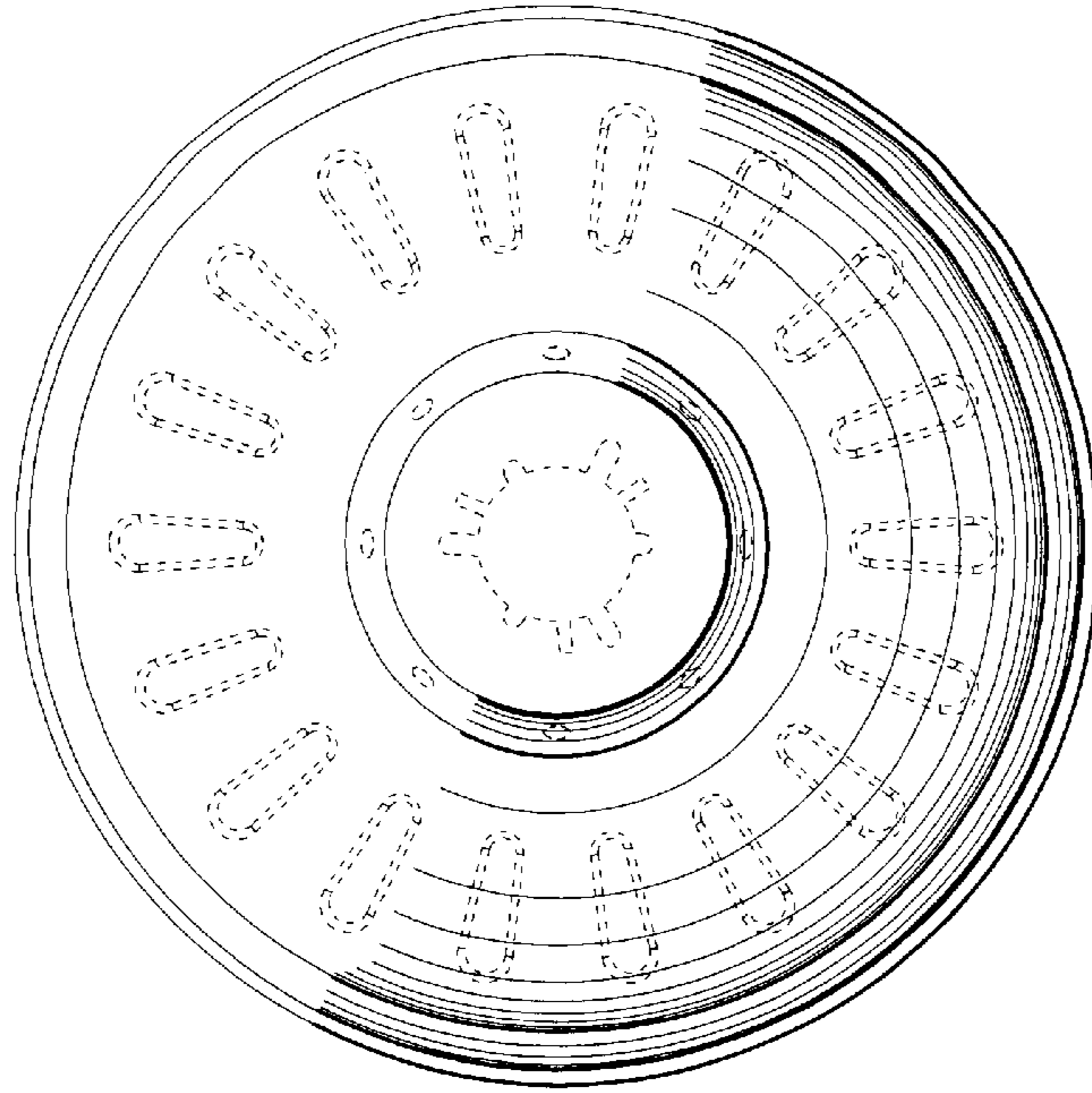


Fig. 4

