



US00D484966S

(12) **United States Design Patent**
Yamamoto

(10) **Patent No.:** **US D484,966 S**

(45) **Date of Patent:** **** Jan. 6, 2004**

(54) **FAN**

6,474,956 B2 * 11/2002 Davis et al. 417/234

(75) **Inventor:** **Masao Yamamoto, Fukushima (JP)**

* cited by examiner

(73) **Assignee:** **Ebara Fan Engineering Co., Ltd.,
Tokyo (JP)**

Primary Examiner—Lisa Lichtenstein
(74) *Attorney, Agent, or Firm*—Sughrue Mion, PLLC

(**) **Term:** **14 Years**

(57) **CLAIM**

(21) **Appl. No.:** **29/169,187**

The ornamental design for a fan, as shown and described.

(22) **Filed:** **Oct. 17, 2002**

DESCRIPTION

(30) **Foreign Application Priority Data**

Apr. 26, 2002 (JP) 2002-011396

FIG. 1 is a perspective view of the top, front and left side of a fan showing my new design;

(51) **LOC (7) Cl.** **23-04**

FIG. 2 is a front elevational view thereof;

(52) **U.S. Cl.** **D23/383**

FIG. 3 is a rear elevational view thereof;

(58) **Field of Search** D23/382, 383;
417/423.1, 423.14; 416/246, 247 R

FIG. 4 is a top plan view thereof;

FIG. 5 is a bottom plan view thereof;

FIG. 6 is a left side elevational view thereof; and,

FIG. 7 is a right side elevational view thereof.

(56) **References Cited**

U.S. PATENT DOCUMENTS

6,174,145 B1 * 1/2001 Taniguchi 417/423.14

1 Claim, 4 Drawing Sheets

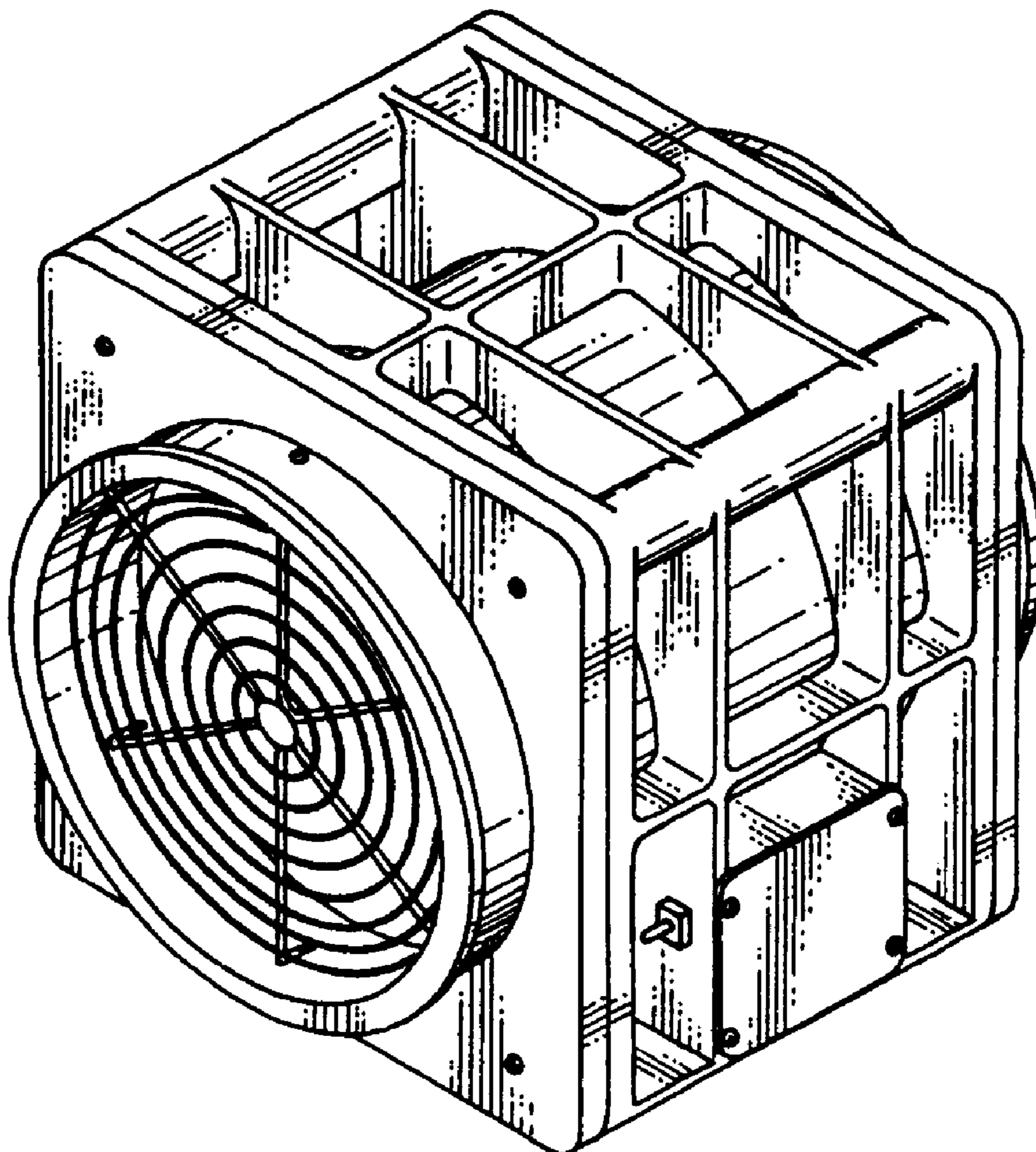


FIG. 1

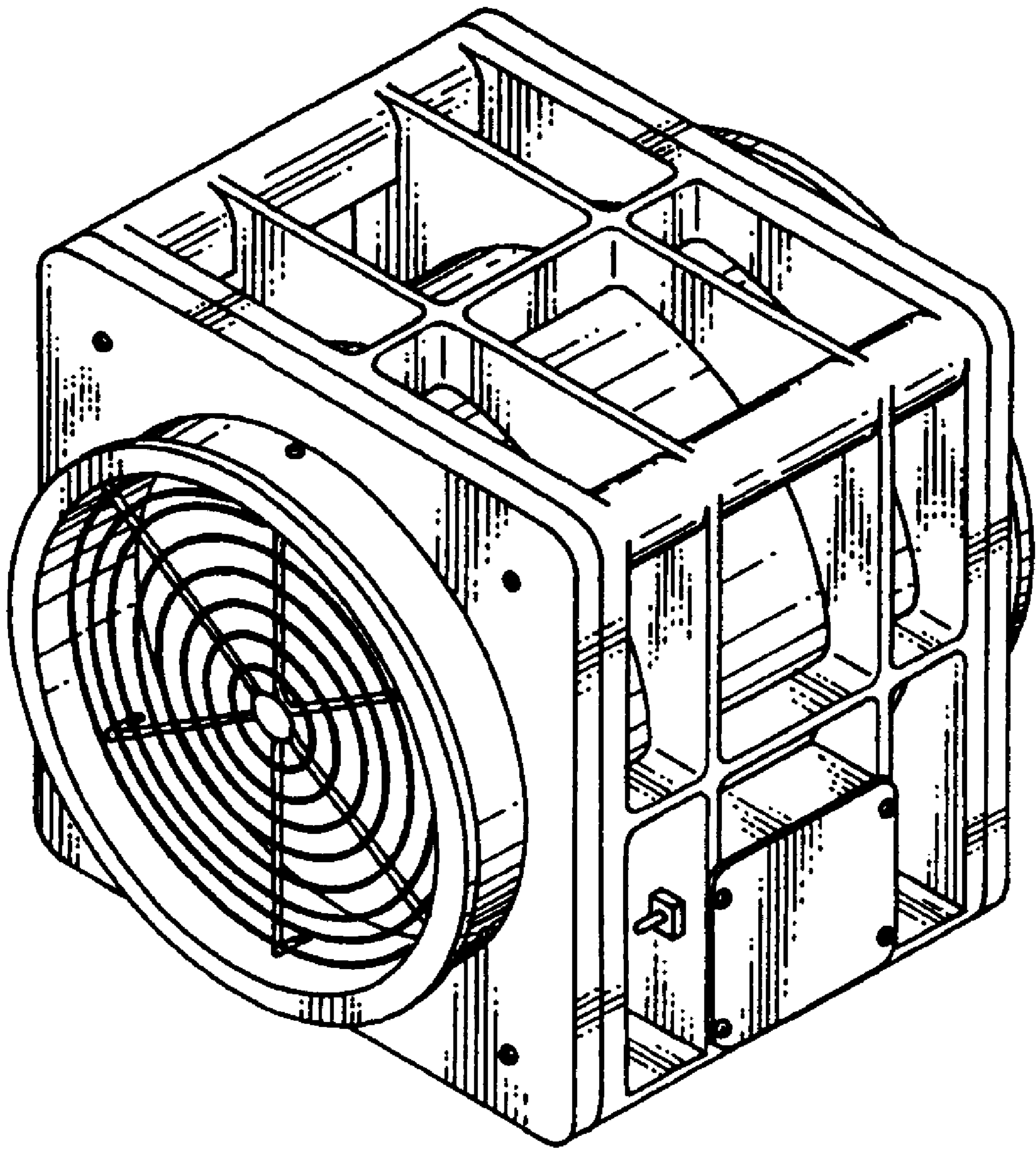


FIG. 2

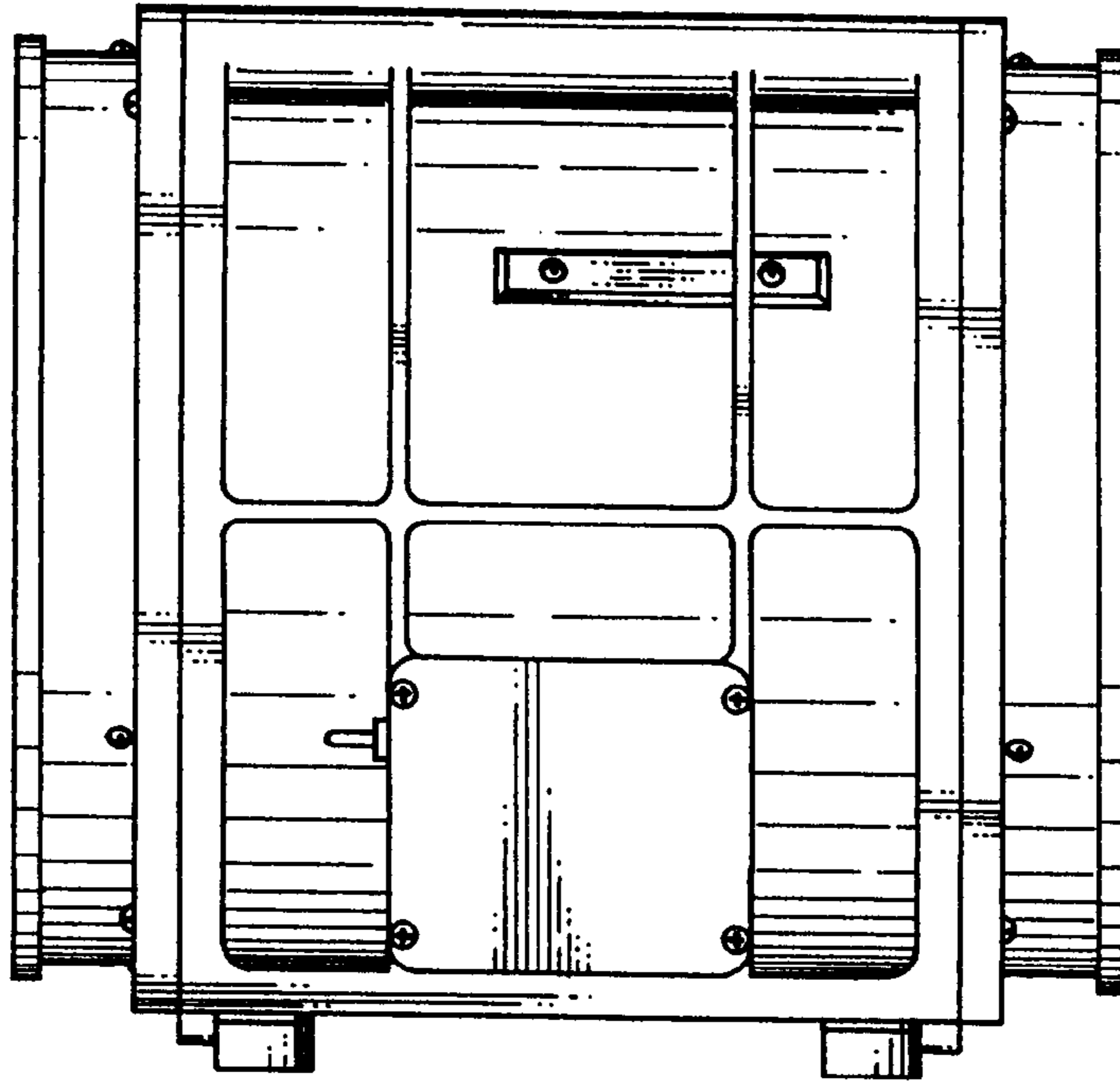


FIG. 3

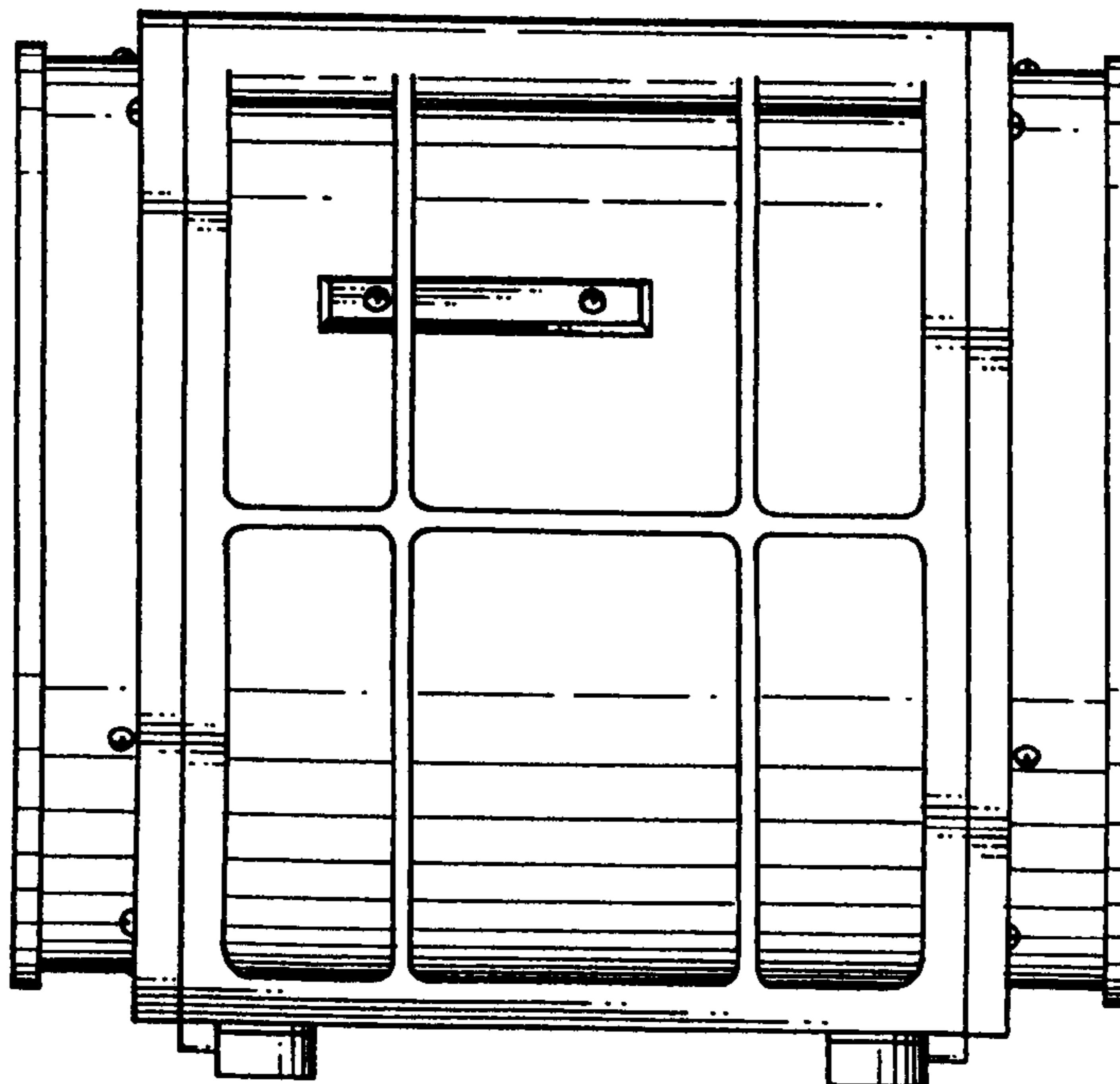


FIG. 4

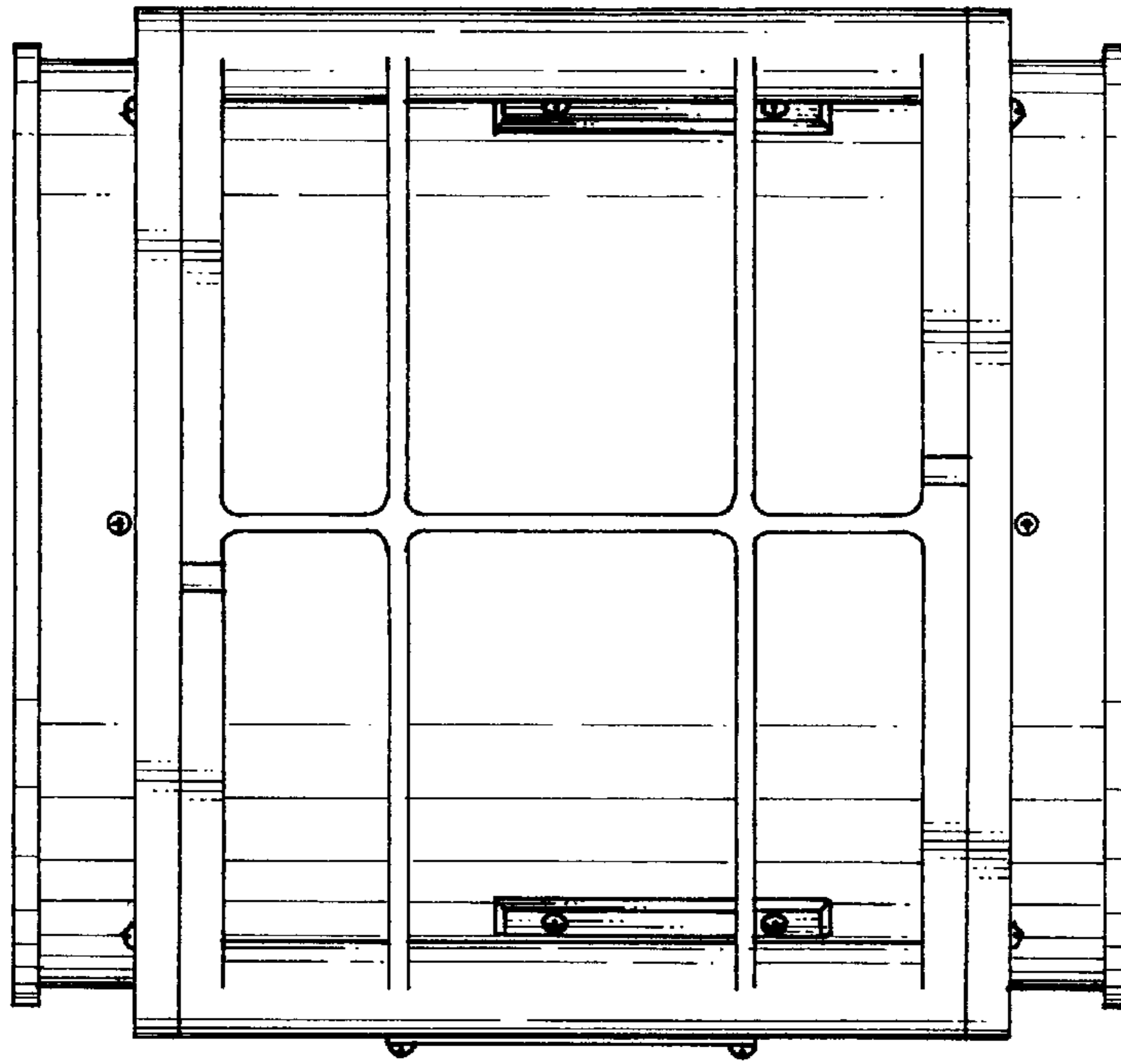


FIG. 5

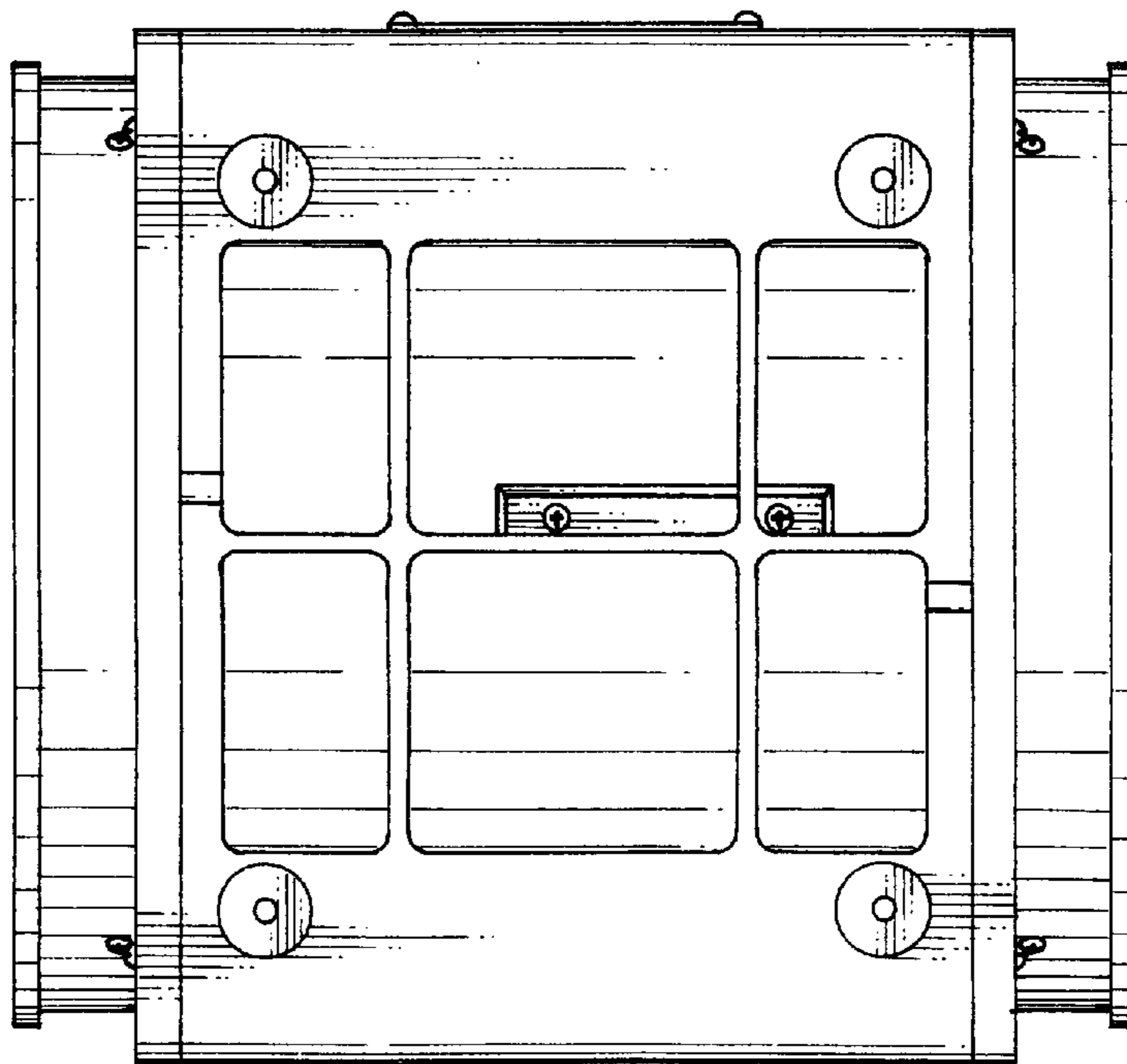


FIG. 6

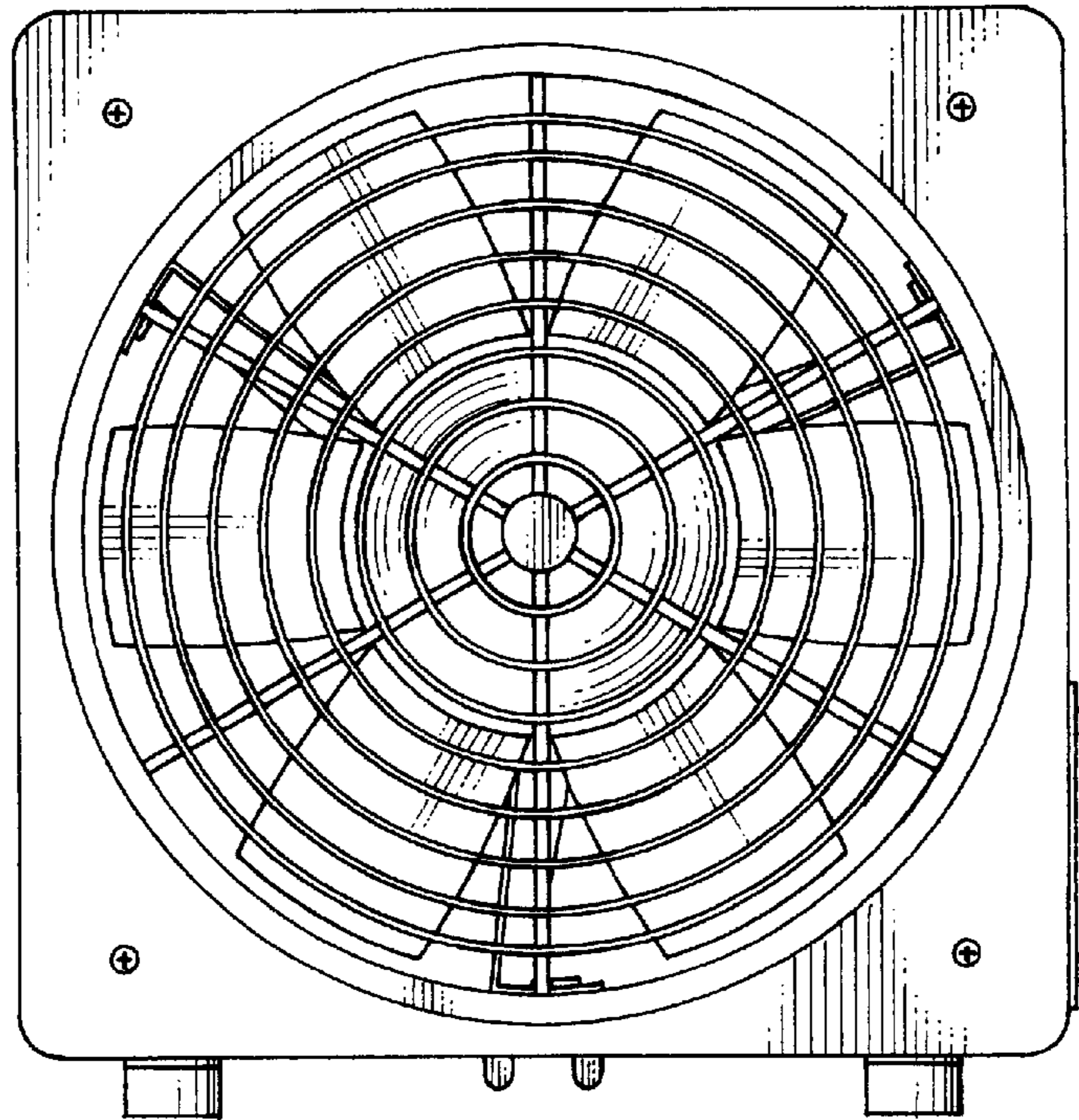


FIG. 7

