



US00D484965S

(12) **United States Design Patent**
Wong

(10) **Patent No.:** **US D484,965 S**

(45) **Date of Patent:** **** Jan. 6, 2004**

(54) **ELECTRIC FAN**

(75) **Inventor:** **Ping Cheung Wong, Tsuen Wan (CN)**

(73) **Assignee:** **IMS International Ltd., Hong Kong (CN)**

(**) **Term:** **14 Years**

(21) **Appl. No.:** **29/174,130**

(22) **Filed:** **Jan. 15, 2003**

(30) **Foreign Application Priority Data**

Jul. 16, 2002 (CN) 02 3 32151

(51) **LOC (7) Cl.** **23-04**

(52) **U.S. Cl.** **D23/378**

(58) **Field of Search** D23/382, 378,
D23/381; 416/247 R, 246

(56) **References Cited**

U.S. PATENT DOCUMENTS

D391,357 S * 2/1998 Chi D23/382

D418,913 S * 1/2000 Thakur D23/378
D426,631 S * 6/2000 Thakur D23/378

* cited by examiner

Primary Examiner—Lisa Lichtenstein

(74) *Attorney, Agent, or Firm*—Alix, Yale & Ristas, LLP

(57) **CLAIM**

The ornamental design for an electric fan, as shown and described.

DESCRIPTION

FIG. 1 is a front view of the electric fan showing my new design;

FIG. 2 is a rear view of the electric fan of FIG. 1;

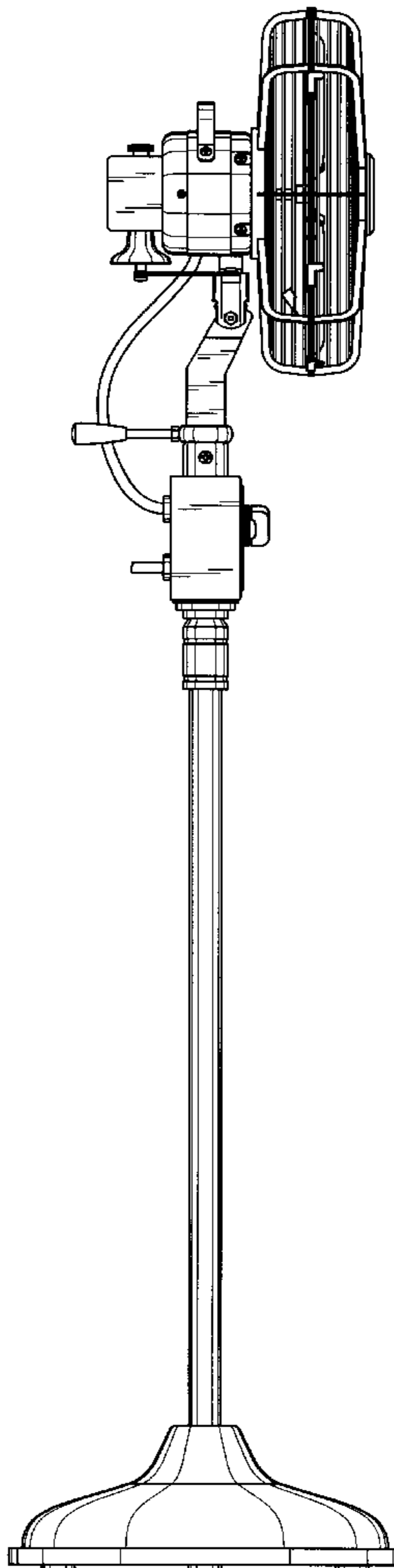
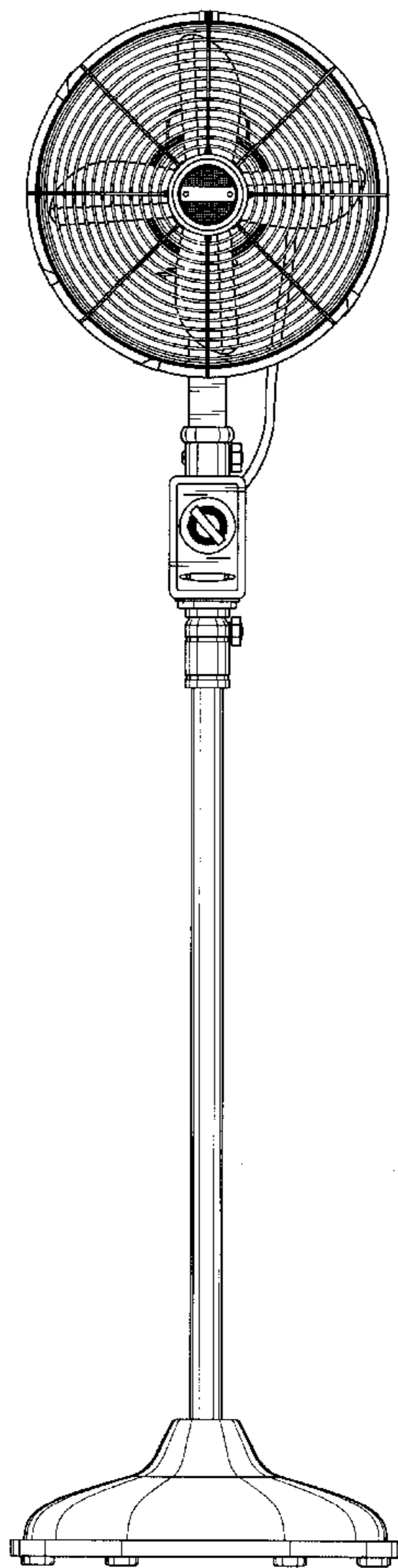
FIG. 3 is a left side view of the electric fan of FIG. 1;

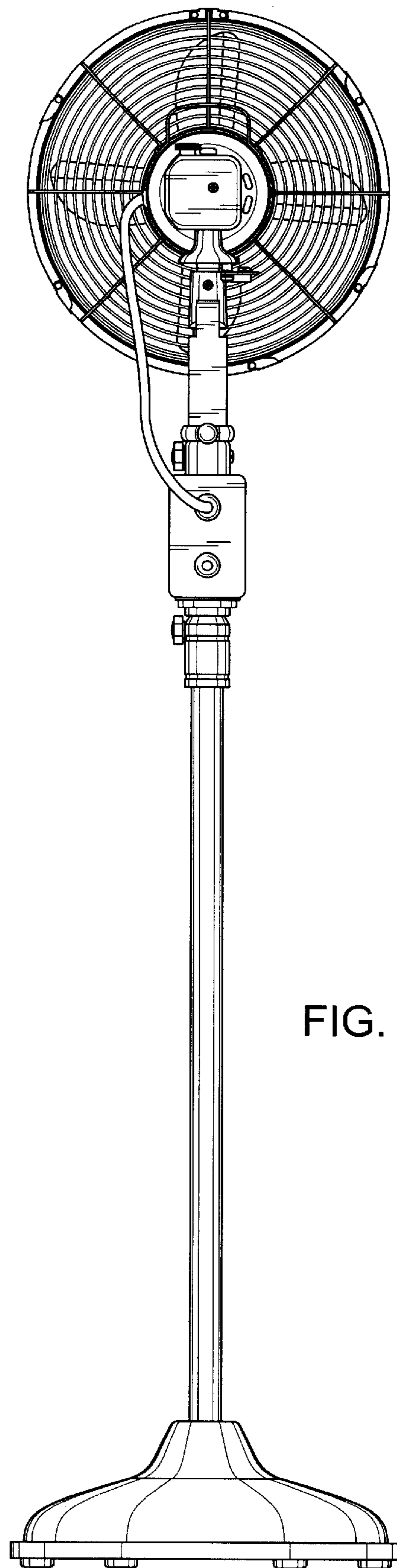
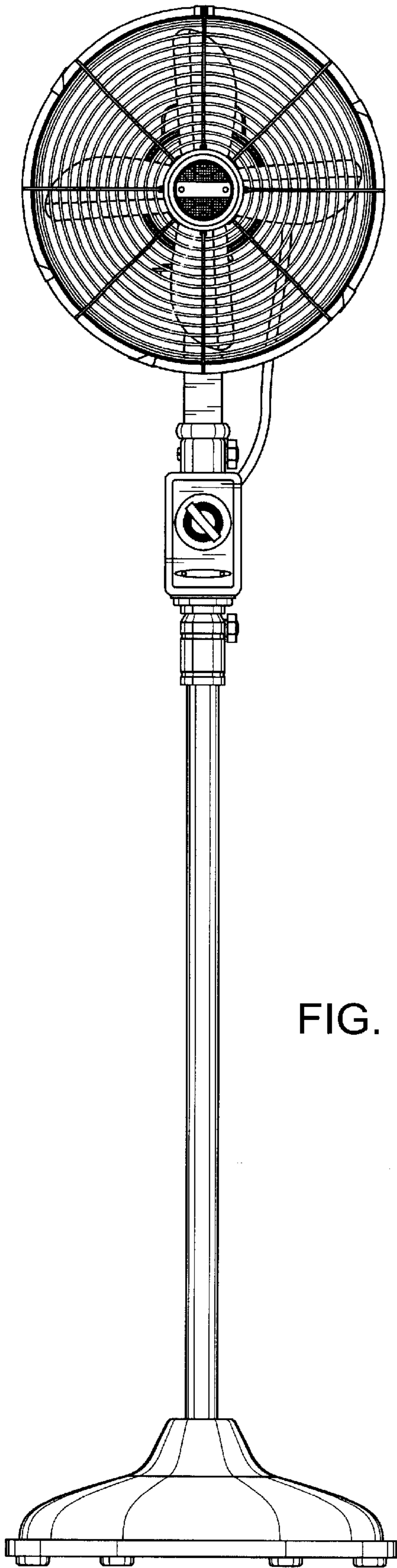
FIG. 4 is a right side view of the electric fan of FIG. 1;

FIG. 5 is a top plan view of the electric fan of FIG. 1; and,

FIG. 6 is a bottom plan view of the electric fan of FIG. 1.

1 Claim, 3 Drawing Sheets





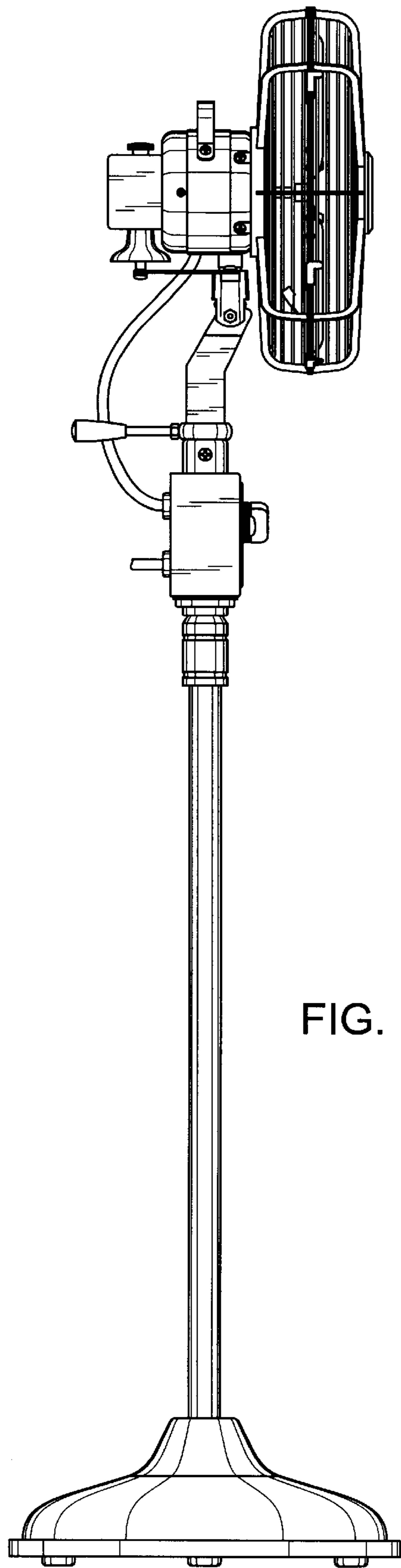


FIG. 3

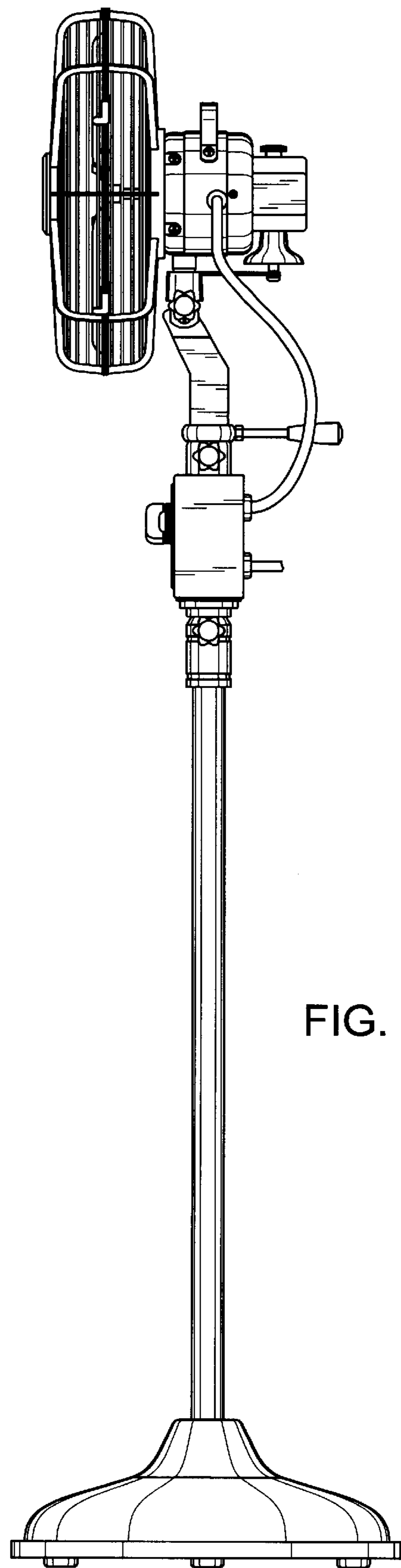


FIG. 4

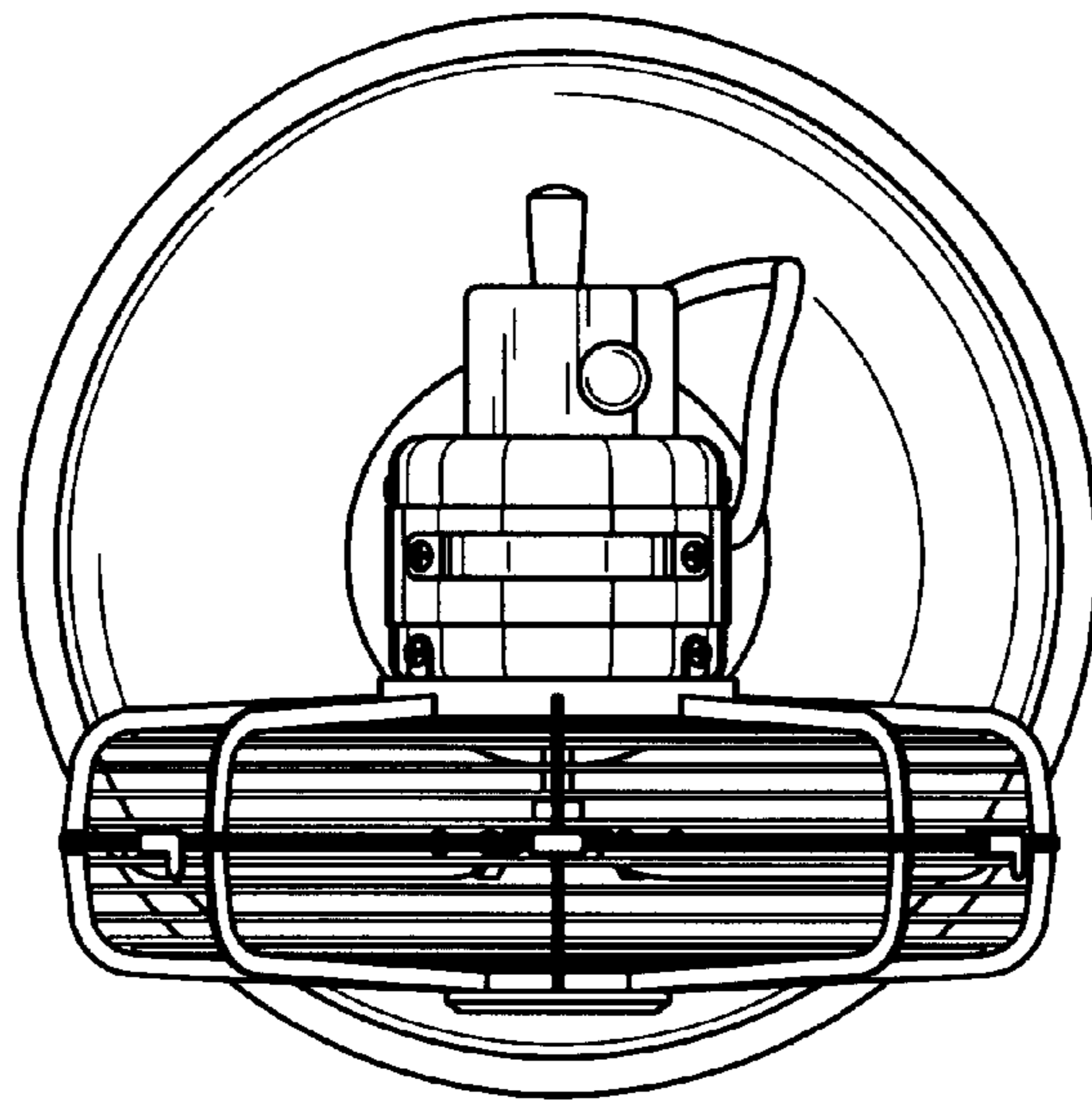


FIG. 5

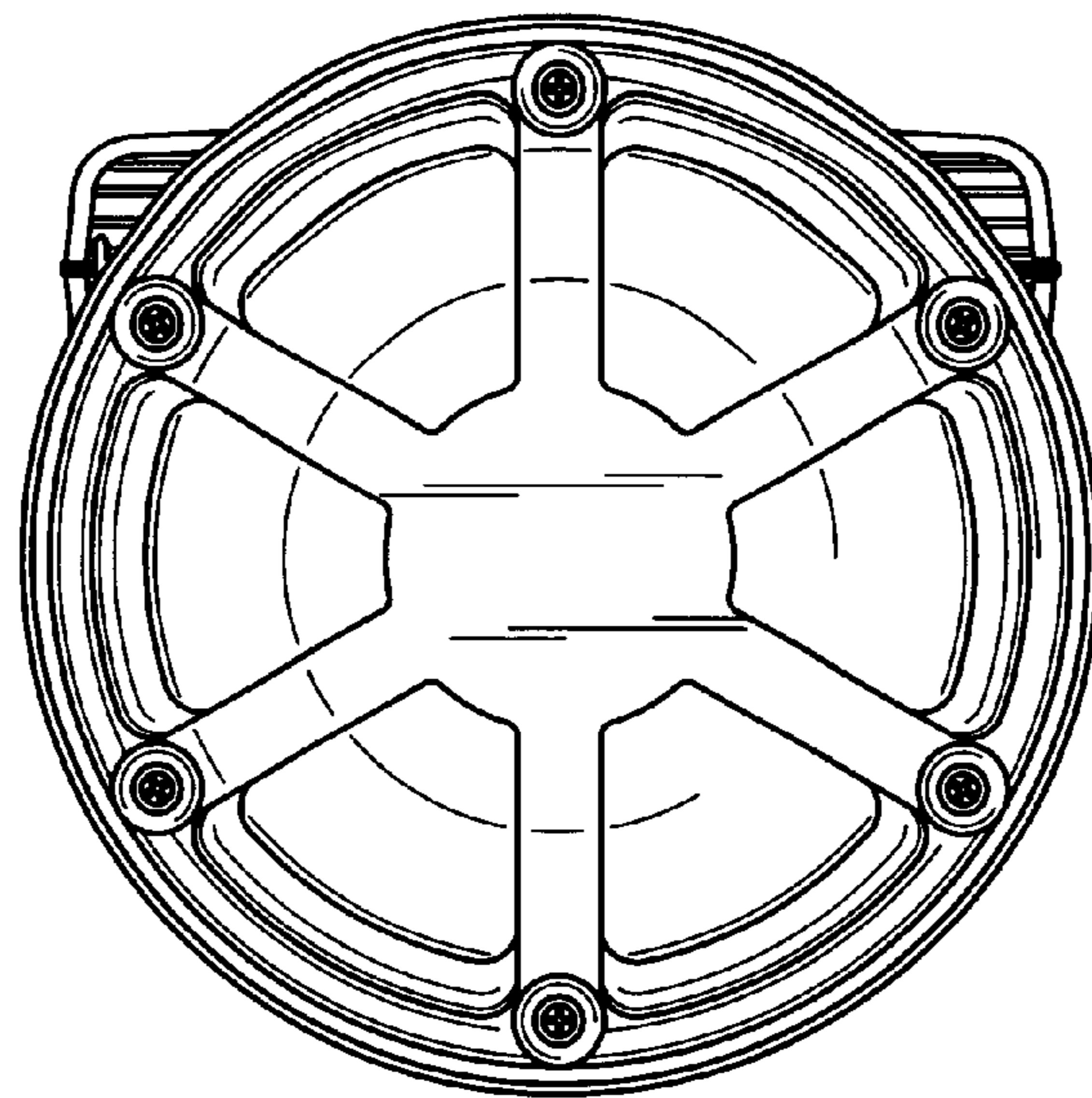


FIG. 6