



US00D484964S

(12) **United States Design Patent**  
**Young**

(10) **Patent No.:** **US D484,964 S**

(45) **Date of Patent:** **\*\* Jan. 6, 2004**

(54) **COMBINATION CEILING FAN AND LIGHT FIXTURE**

*Primary Examiner*—Lisa Lichtenstein  
(74) *Attorney, Agent, or Firm*—Jenkins & Gilchrist, P.C.

(75) **Inventor:** **Stanfield Young**, Cypress, CA (US)

(57) **CLAIM**

(73) **Assignee:** **Minka Lighting, Inc.**, Corona, CA (US)

The ornamental design for the combination ceiling fan and light fixture, as shown and described.

(\*\*) **Term:** **14 Years**

**DESCRIPTION**

(21) **Appl. No.:** **29/167,930**

FIG. 1 is a perspective view from below of the combination ceiling fan and light fixture in accordance with my design.

(22) **Filed:** **Sep. 23, 2002**

FIG. 2 is a bottom plan view of the combination ceiling fan and light fixture in accordance with my design;

(51) **LOC (7) Cl.** ..... **23-04**

FIG. 3 is a front elevation view of the combination ceiling fan and light fixture in accordance with my design;

(52) **U.S. Cl.** ..... **D23/377**

FIG. 4 is a top plan view of the combination ceiling fan and light fixture in accordance with my design; and,

(58) **Field of Search** ..... D23/377, 379, D23/385, 411, 413; 416/5

FIG. 5 is a side elevation view of the combination ceiling fan and light fixture in accordance with my design.

(56) **References Cited**

The front and rear elevation views are identical except for the position of the blades.

**U.S. PATENT DOCUMENTS**

The side elevation views are identical except for the position of the blades.

D408,904 S \* 4/1999 Liu ..... D23/377

D417,494 S \* 12/1999 Evans ..... D23/377

D424,187 S \* 5/2000 Lo ..... D23/377

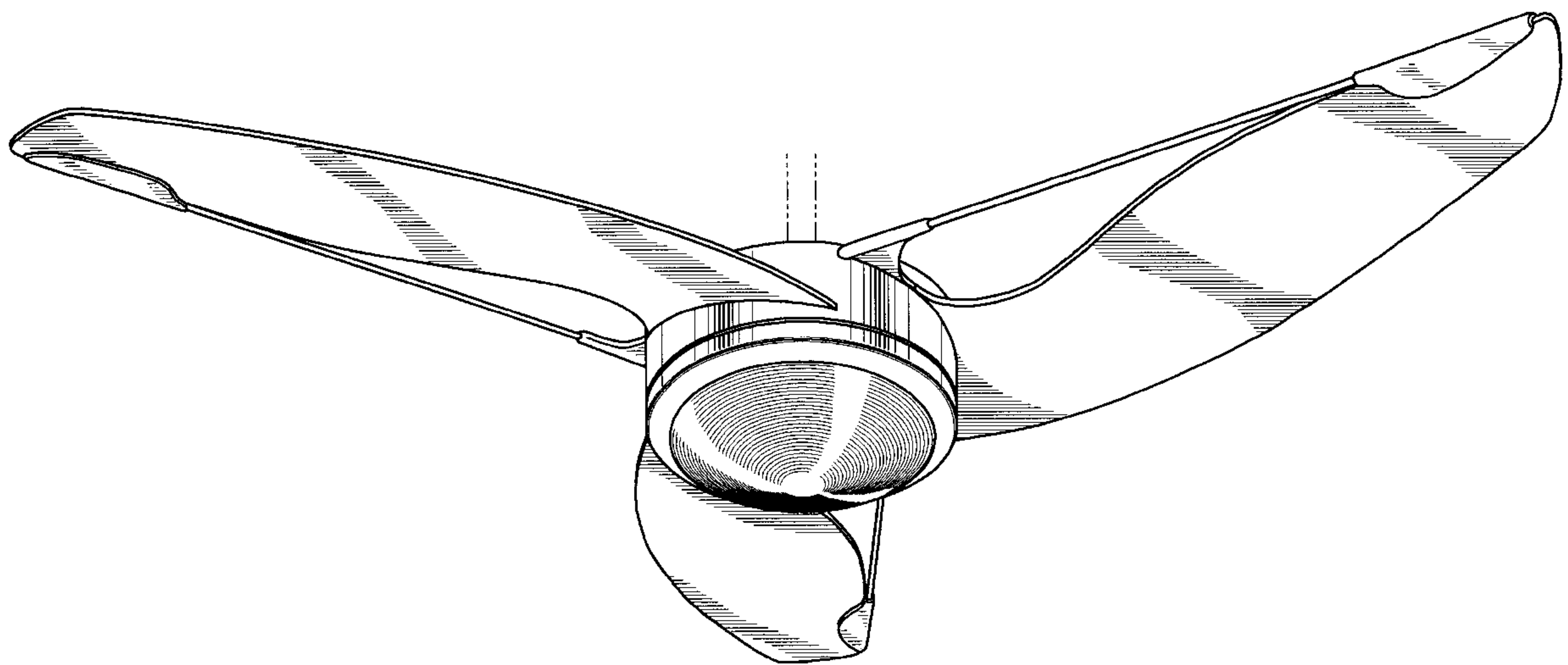
**OTHER PUBLICATIONS**

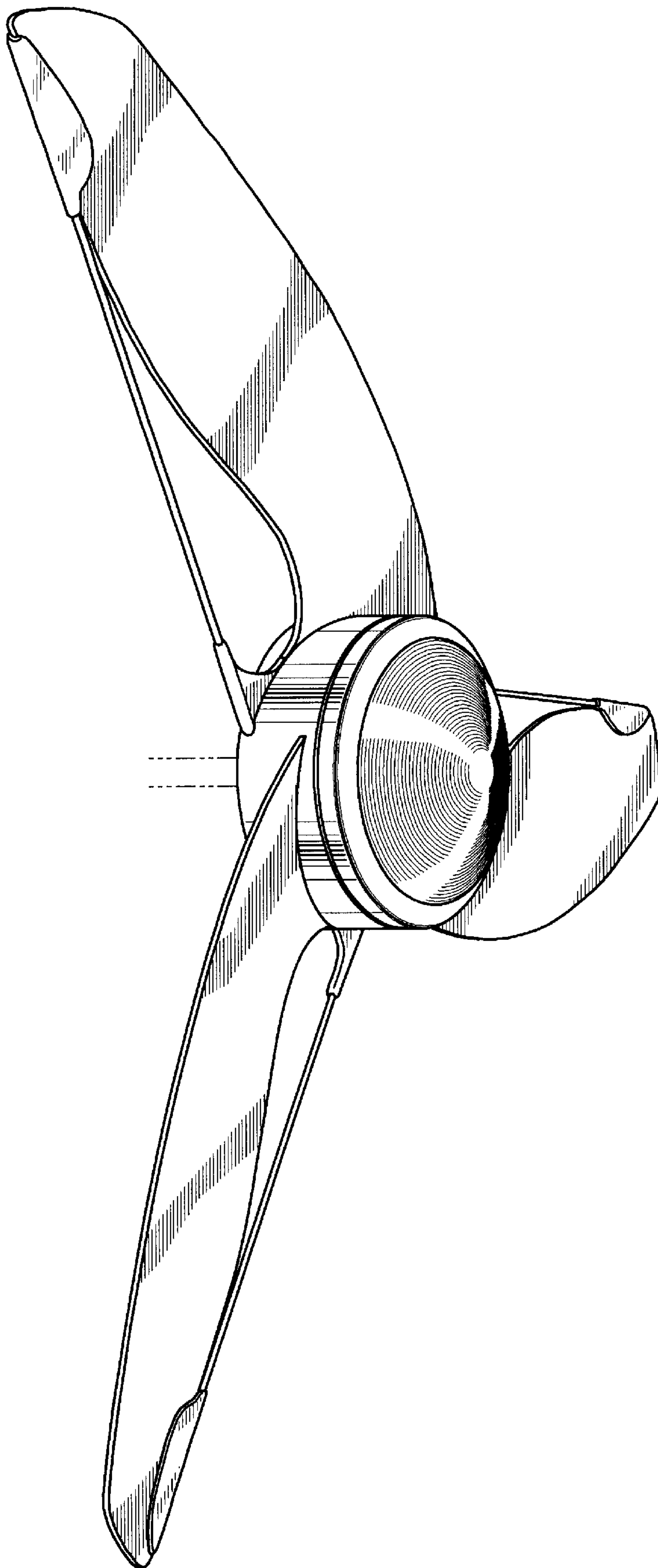
The broken line showing of environmental structure in FIGS. 1, 3 and 4 is for illustrative purposes only and forms no part of the claimed design.

Minka Lighting, Inc.; MinkaAire Two Thousand Two; Apr. 22, 2002; pp. 24, 25; Minka Lighting, Inc.; U.S.A.

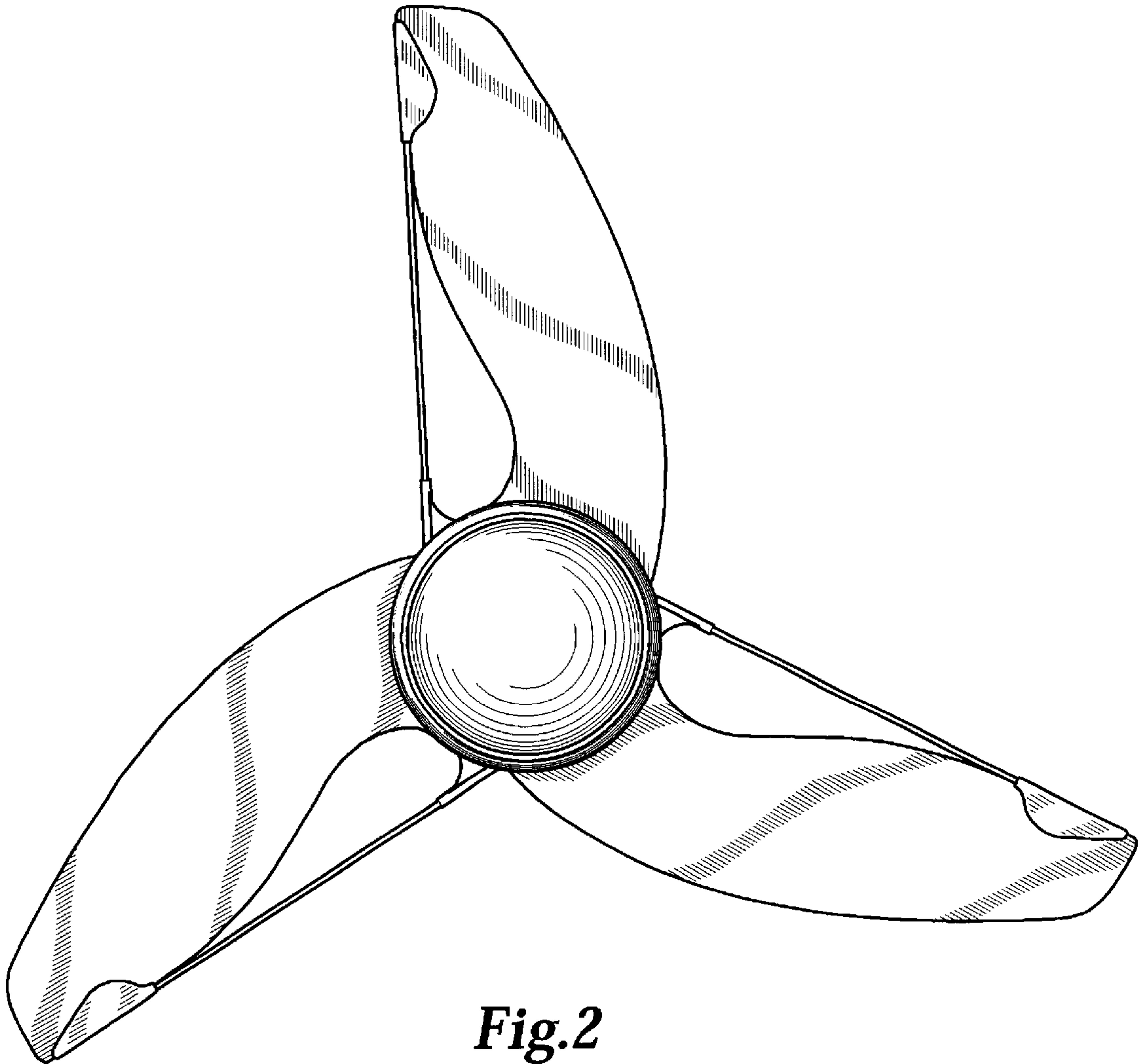
\* cited by examiner

**1 Claim, 3 Drawing Sheets**

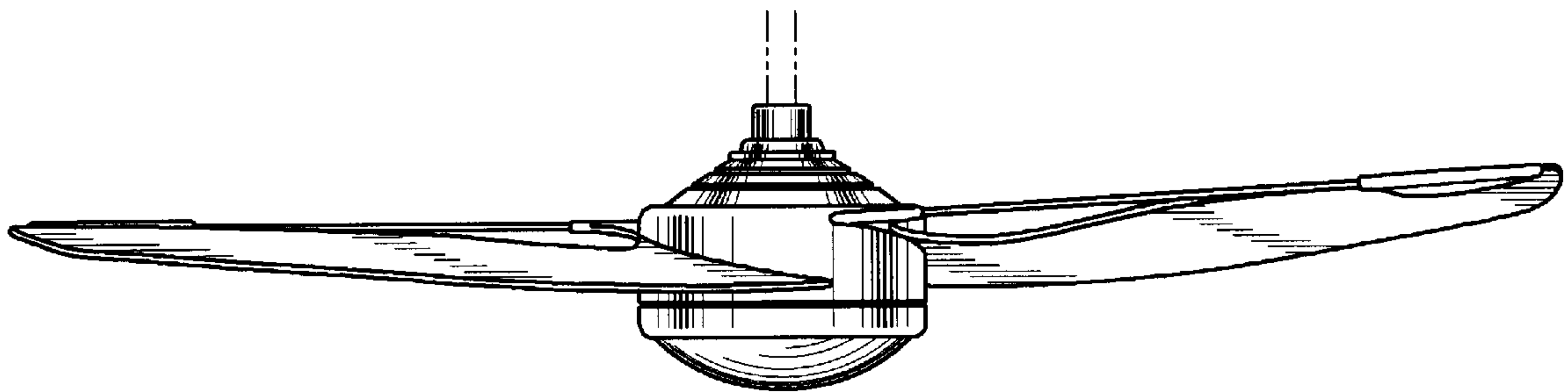




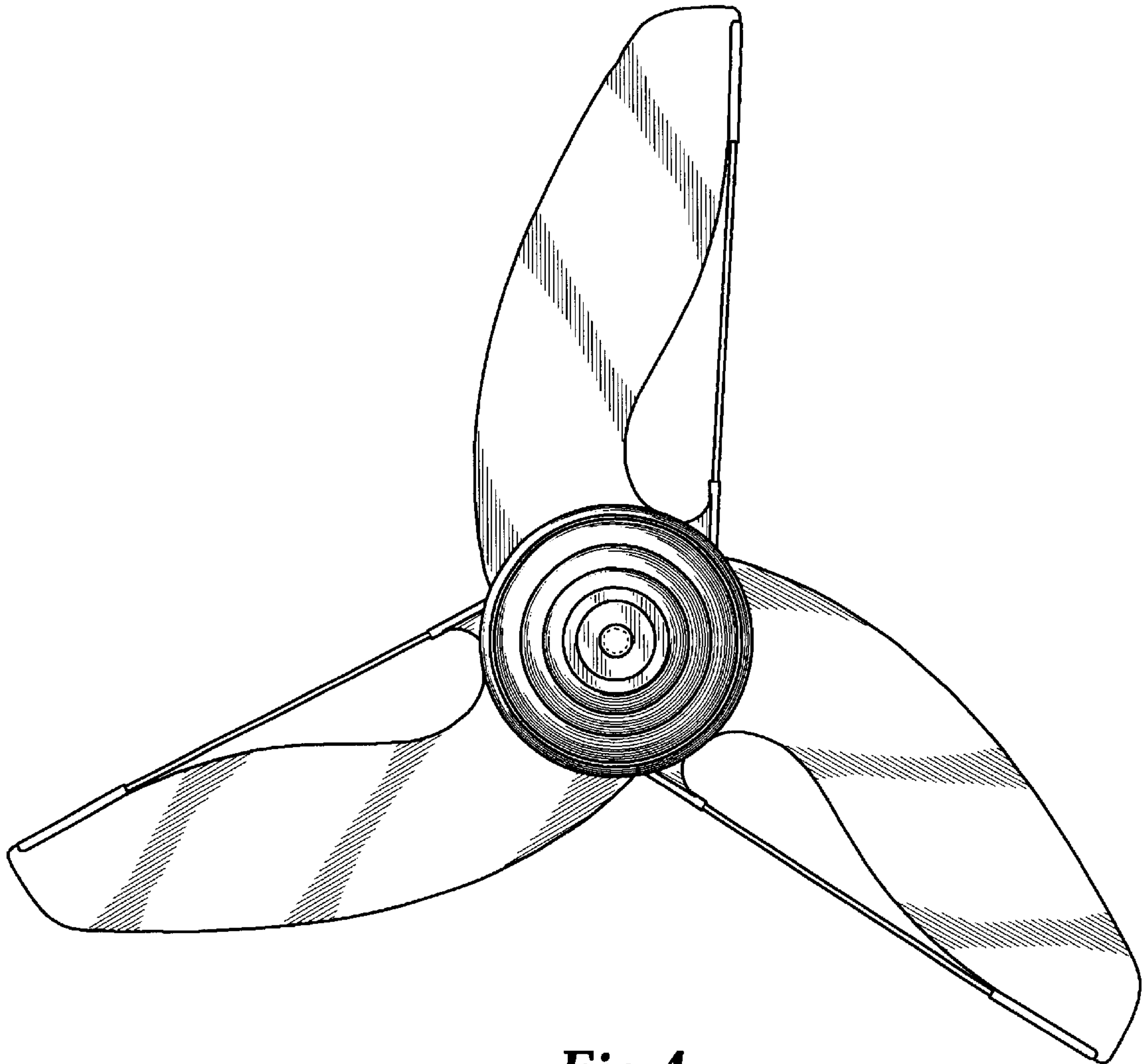
*Fig. 1*



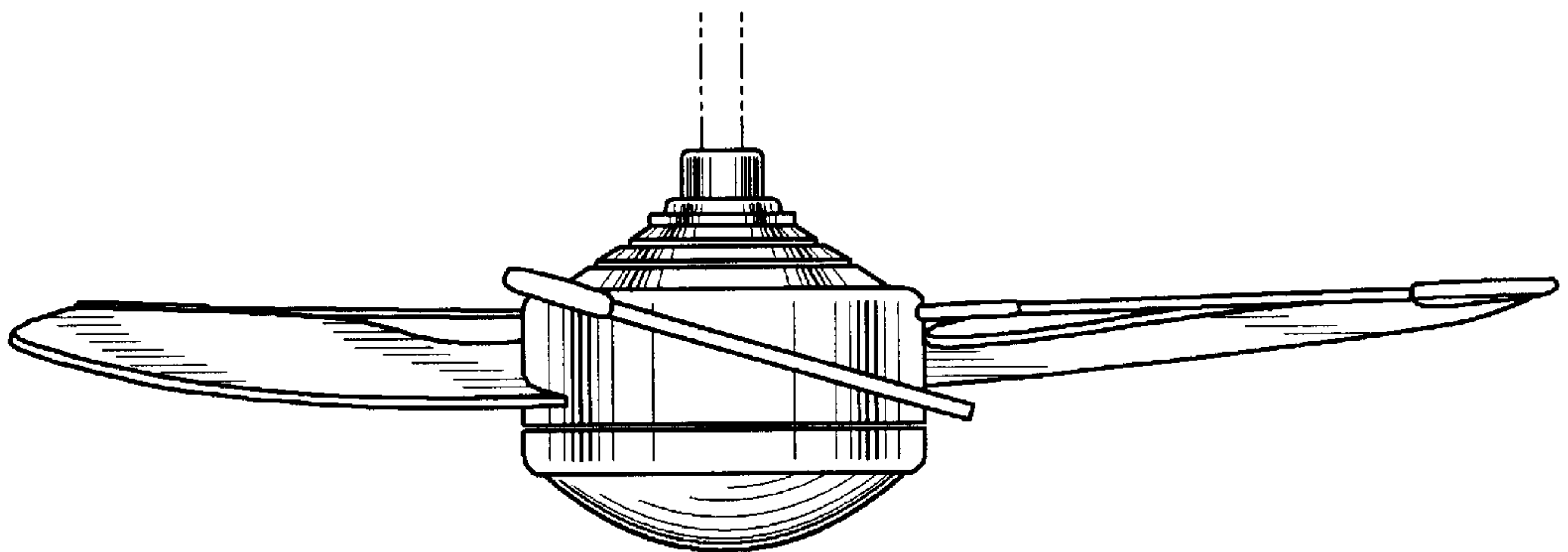
*Fig. 2*



*Fig. 3*



*Fig. 4*



*Fig. 5*