



US00D484959S

(12) **United States Design Patent**
Jennings

(10) **Patent No.:** **US D484,959 S**

(45) **Date of Patent:** **** Jan. 6, 2004**

(54) **SMALL APPROVED AQUARIUM HEATER**

(75) **Inventor:** **Paul Jennings, Arlington, TX (US)**

(73) **Assignee:** **Farrar Group, Inc., Tyler, TX (US)**

(**) **Term:** **14 Years**

(21) **Appl. No.:** **29/173,810**

(22) **Filed:** **Jan. 7, 2003**

(51) **LOC (7) Cl.** **23-03**

(52) **U.S. Cl.** **D23/316**

(58) **Field of Search** D23/314, 316;
219/200, 209, 221, 520, 523, 533, 534;
392/341, 441, 444

(56) **References Cited**

U.S. PATENT DOCUMENTS

D130,349 S * 11/1941 Gardener et al. D23/316
2,888,547 A * 5/1959 Saper 219/523
D211,639 S * 7/1968 Axelrod D23/316

4,272,672 A * 6/1981 Goldman et al. 219/523
4,315,143 A * 2/1982 Willinger et al. 219/523
D381,409 S * 7/1997 Fleischer et al. D23/316

* cited by examiner

Primary Examiner—Brian N. Vinson

(74) *Attorney, Agent, or Firm*—C. W. Alworth

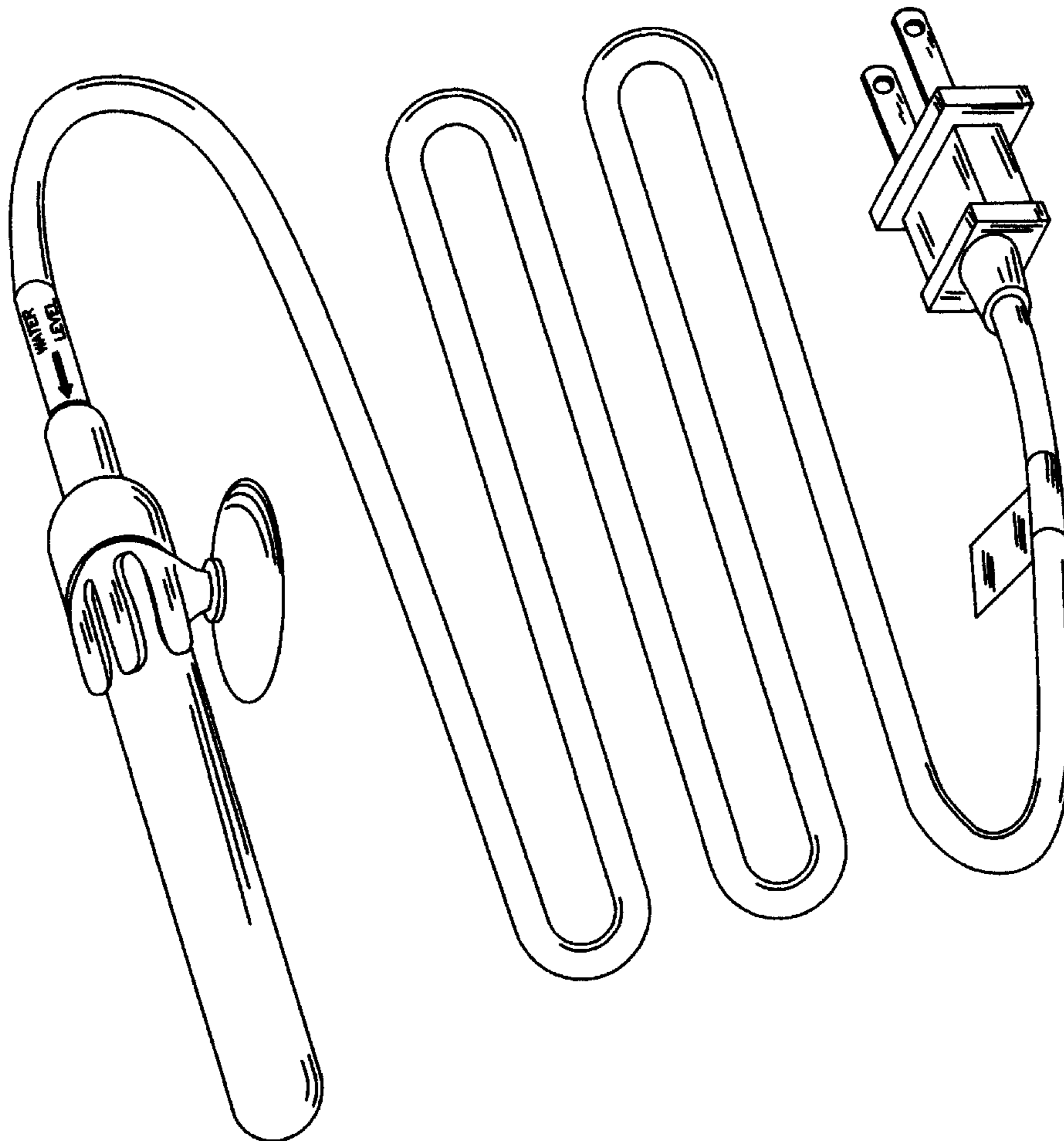
(57) **CLAIM**

The ornamental design for a small approved aquarium heater, as shown and described.

DESCRIPTION

FIG. 1 is an isometric view of a small approved aquarium heater showing my new design;
FIG. 2 is a side view thereof;
FIG. 3 is a top view thereof;
FIG. 4 is a bottom view thereof; and,
FIG. 5 is a side view thereof taken 180 degrees from the view shown in FIG. 2.

1 Claim, 5 Drawing Sheets



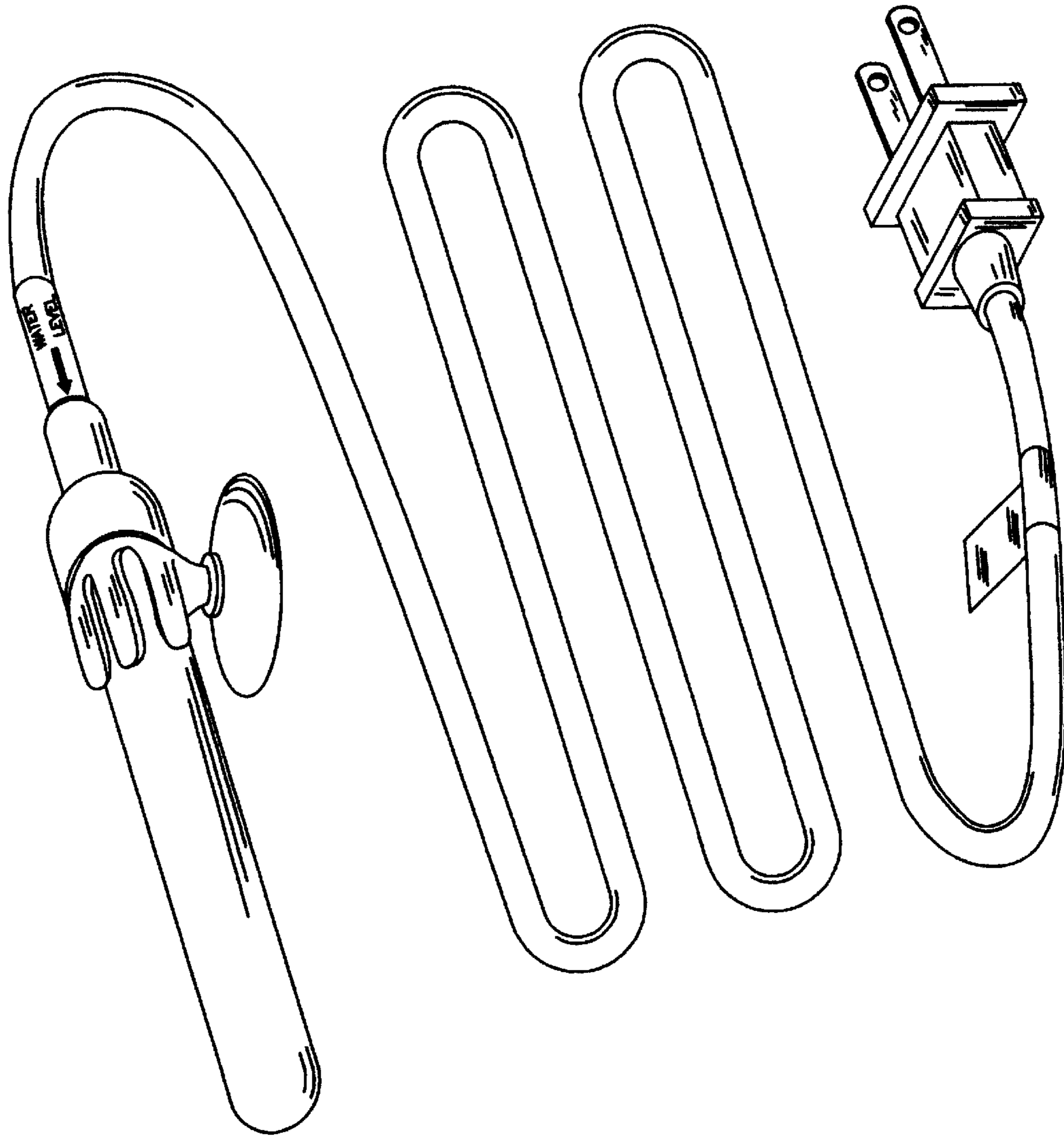


Figure 1

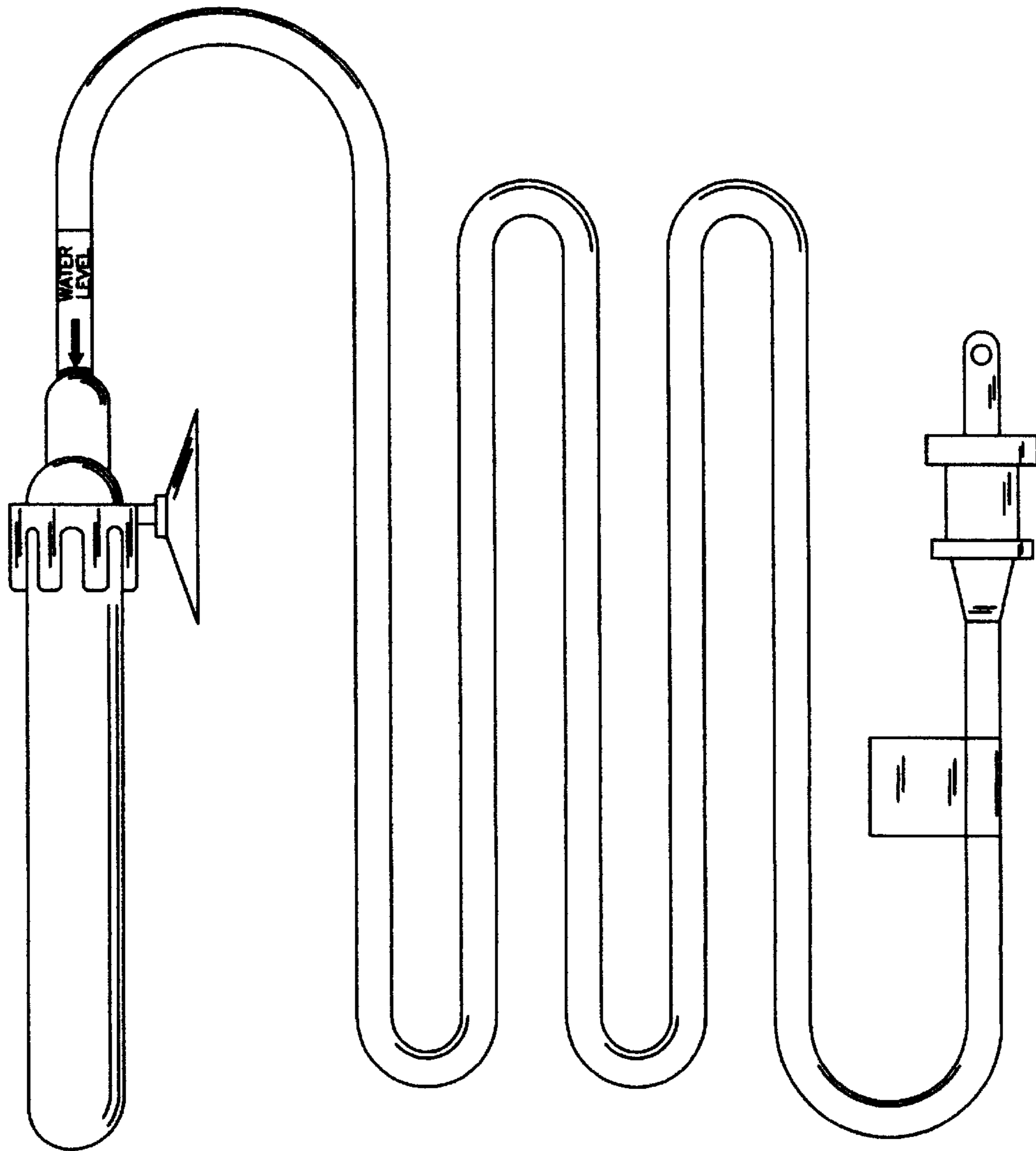


Figure 2

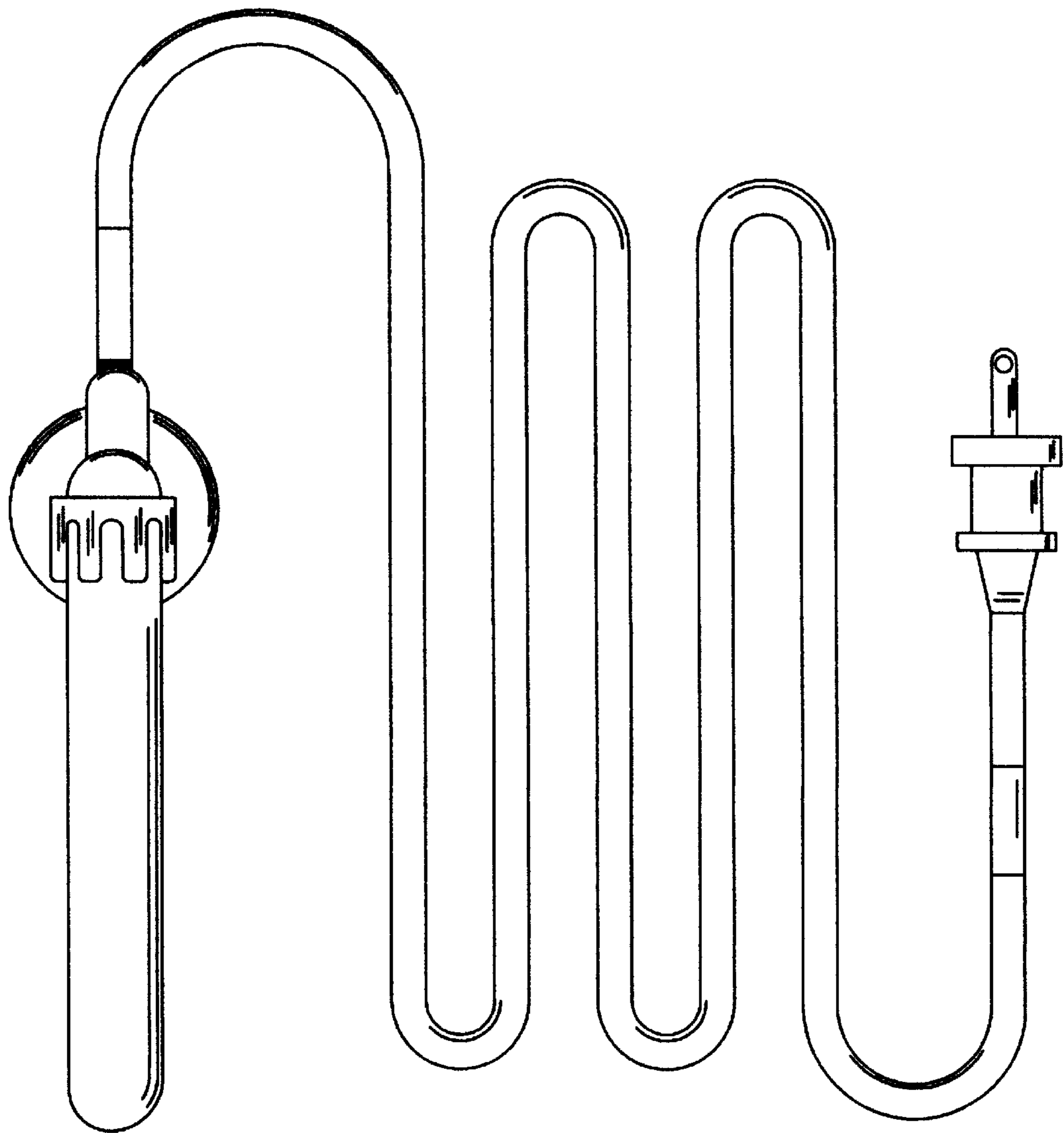


Figure 3

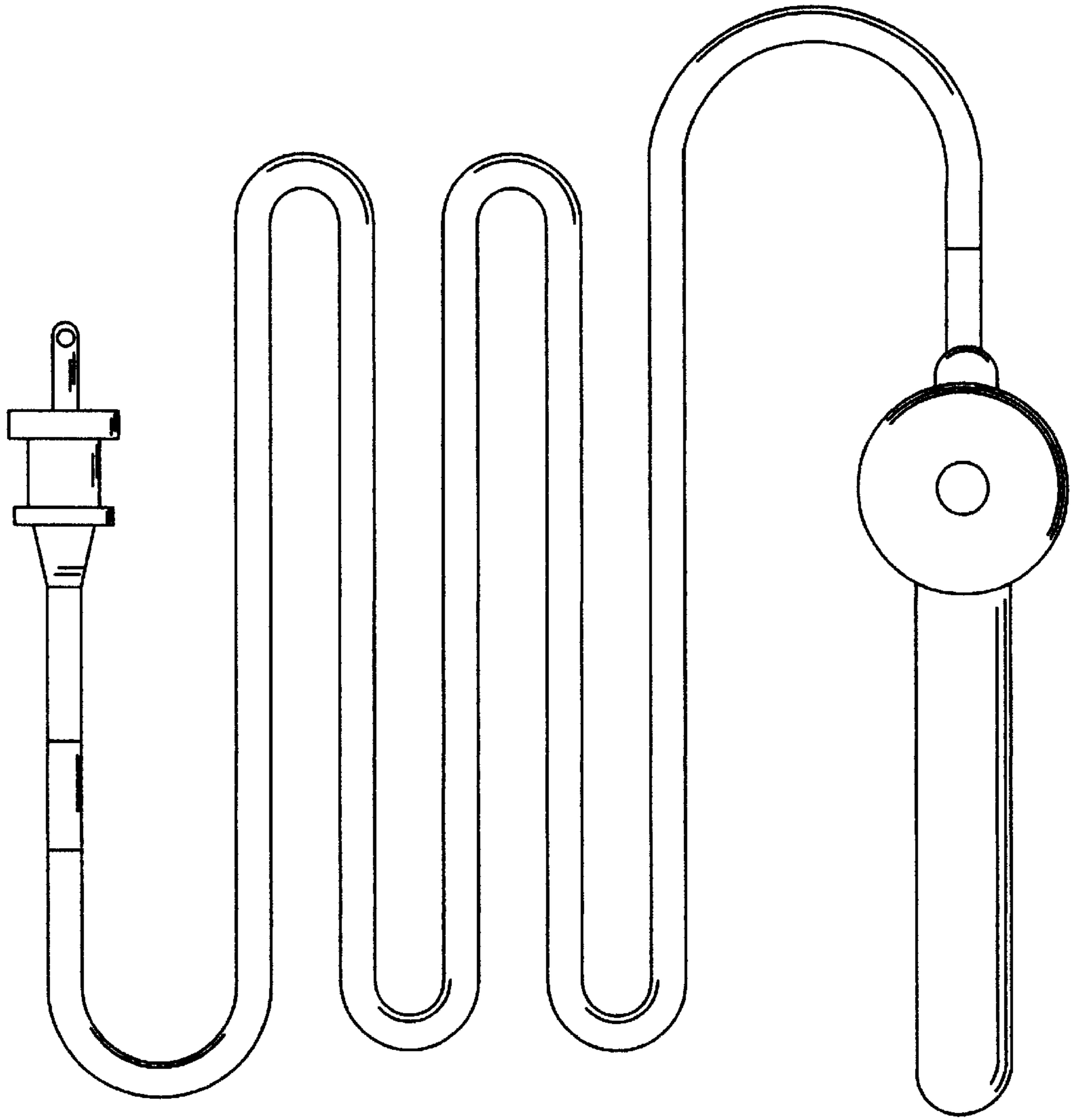


Figure 4

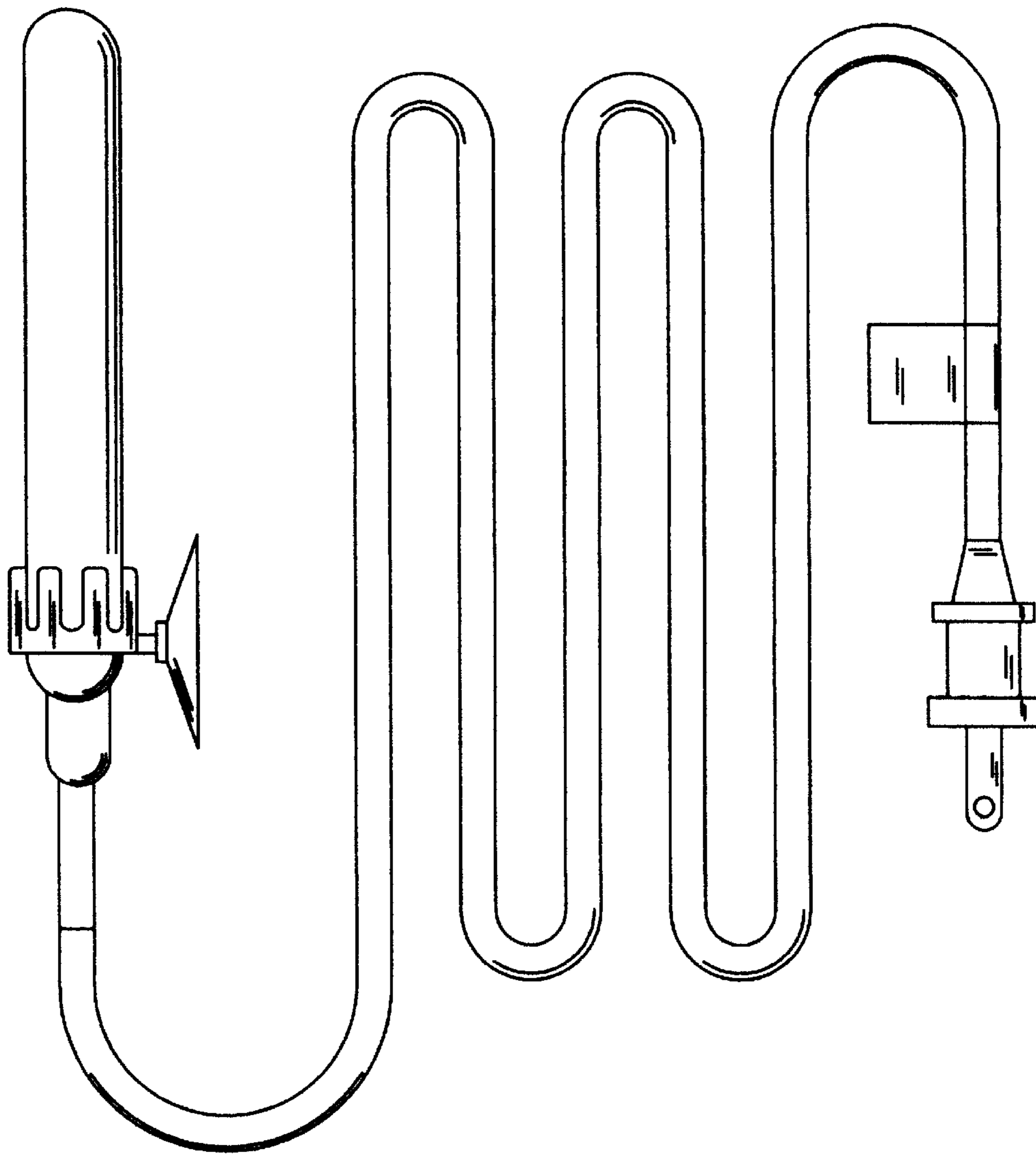


Figure 5