



US00D484957S

(12) **United States Design Patent**  
**Grech et al.**

(10) **Patent No.:** **US D484,957 S**

(45) **Date of Patent:** **\*\* Jan. 6, 2004**

(54) **FLUSH TOILET**

(75) **Inventors:** **George Grech**, Garden City, MI (US);  
**Jason Smith**, West Bloomfield, MI  
(US); **John E. Hammond**, Redford, MI  
(US)

(73) **Assignee:** **Thetford Corporation**, Ann Arbor, MI  
(US)

(\*\*) **Term:** **14 Years**

(21) **Appl. No.:** **29/171,810**

(22) **Filed:** **Nov. 30, 2002**

(51) **LOC (7) Cl.** ..... **23-02**

(52) **U.S. Cl.** ..... **D23/295**

(58) **Field of Search** ..... D23/273-274,  
D23/295-301, 303, 309, 311-313; 4/611,  
667, 300, 328-329, 347, 348, 332, 353,  
420, 440, 443-446, 449, 460, 217, 234,  
237, 242.1, 902

(56) **References Cited**

**U.S. PATENT DOCUMENTS**

3,883,903 A \* 5/1975 Broek et al. .... 4/440  
3,932,901 A \* 1/1976 Inui et al. .... 4/332

4,710,988 A \* 12/1987 Stewart ..... 4/440 X  
5,060,320 A 10/1991 Sargent et al. .... 4/438  
D347,496 S \* 5/1994 Wei ..... D23/301  
D438,941 S 3/2001 Selina et al. .... D23/299

\* cited by examiner

*Primary Examiner*—Louis S. Zarfes

*Assistant Examiner*—Robert A. Delehanty

(74) *Attorney, Agent, or Firm*—Harness, Dickey & Pierce,  
P.L.C.

(57) **CLAIM**

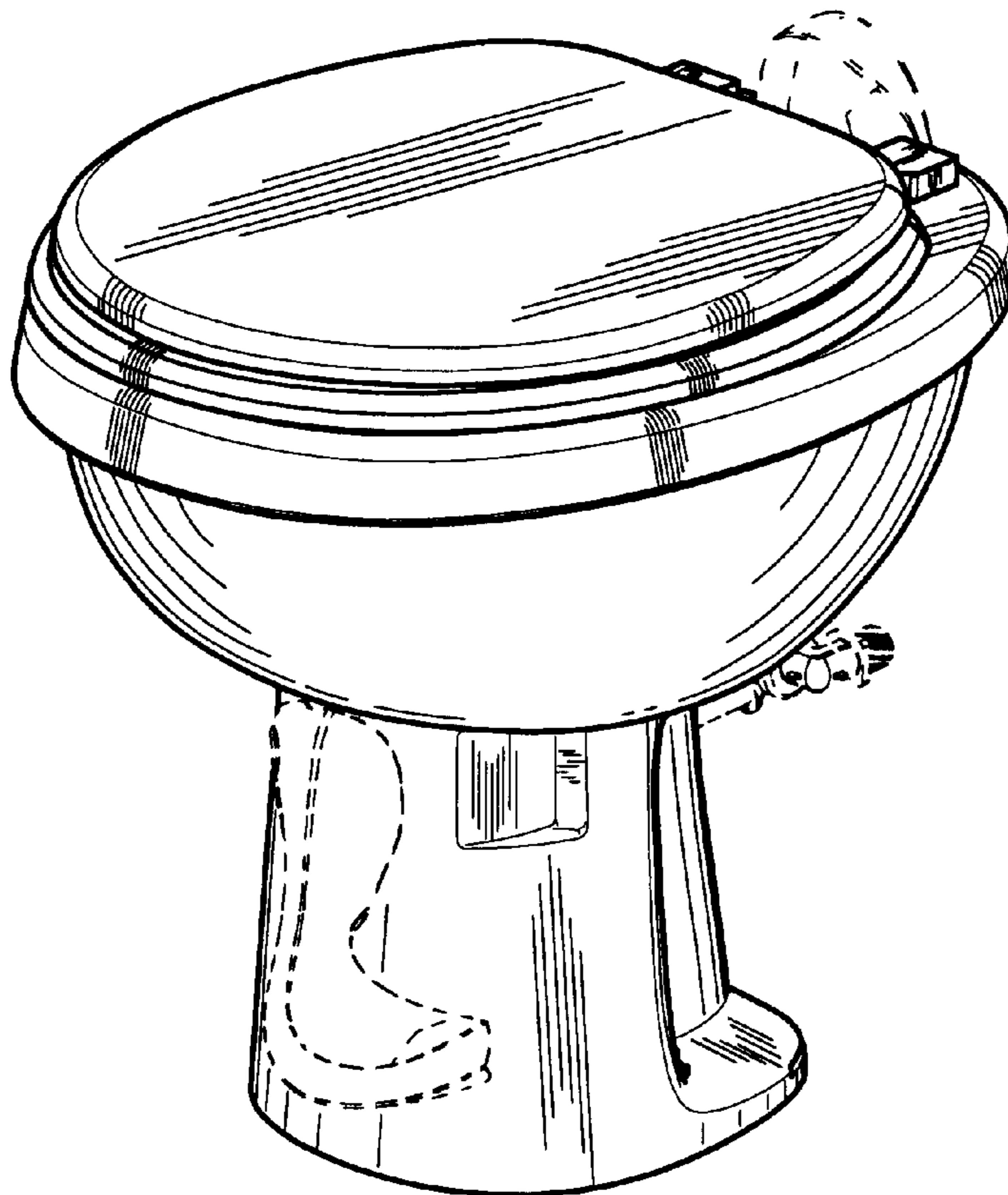
The ornamental design for a flush toilet, as shown and described.

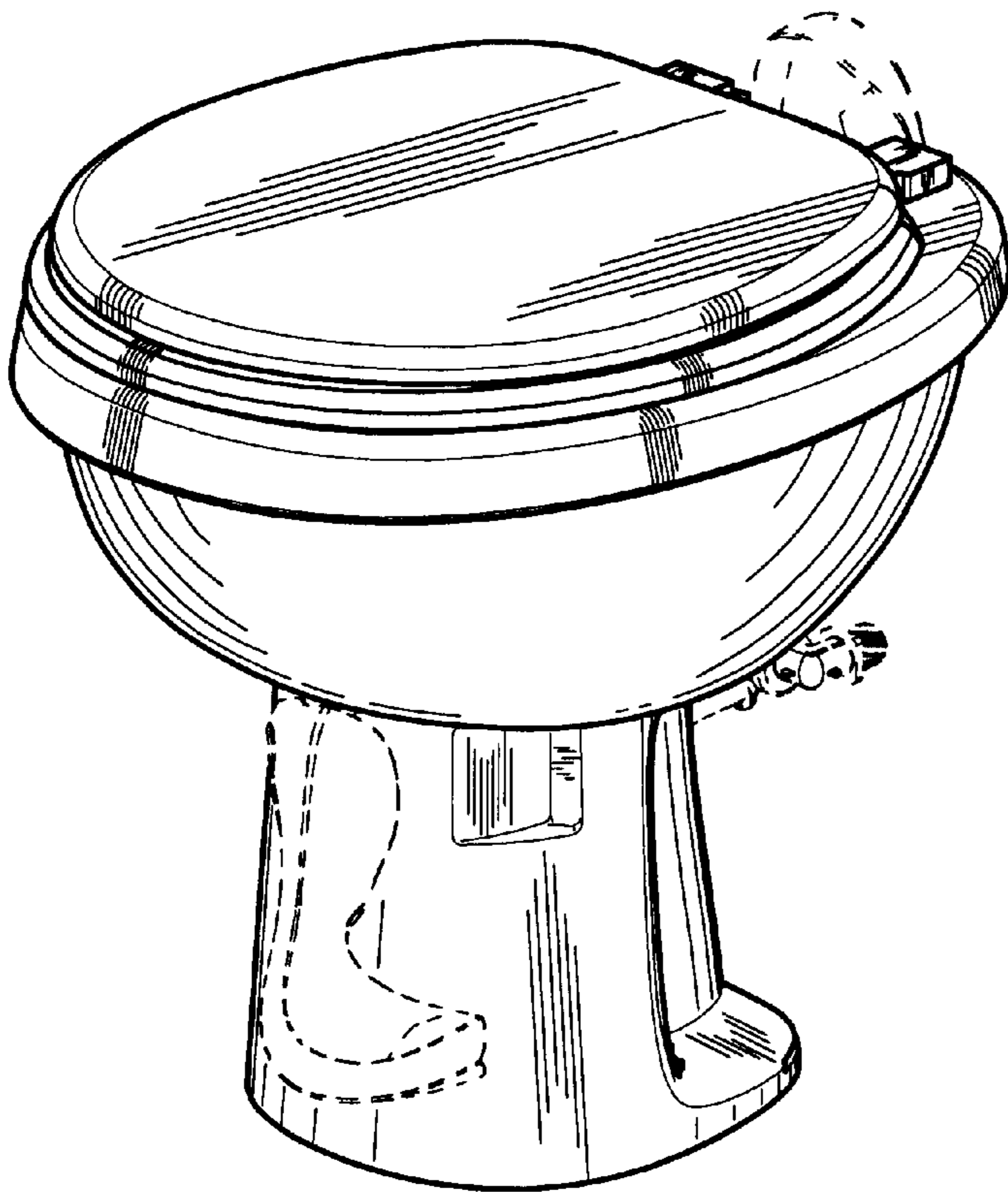
**DESCRIPTION**

FIG. 1 is a front and side perspective of a flush toilet showing our new design;  
FIG. 2 is a front elevation view thereof;  
FIG. 3 is a right side elevation view thereof;  
FIG. 4 is a left side elevation view thereof; and,  
FIG. 5 is a top plan view thereof.

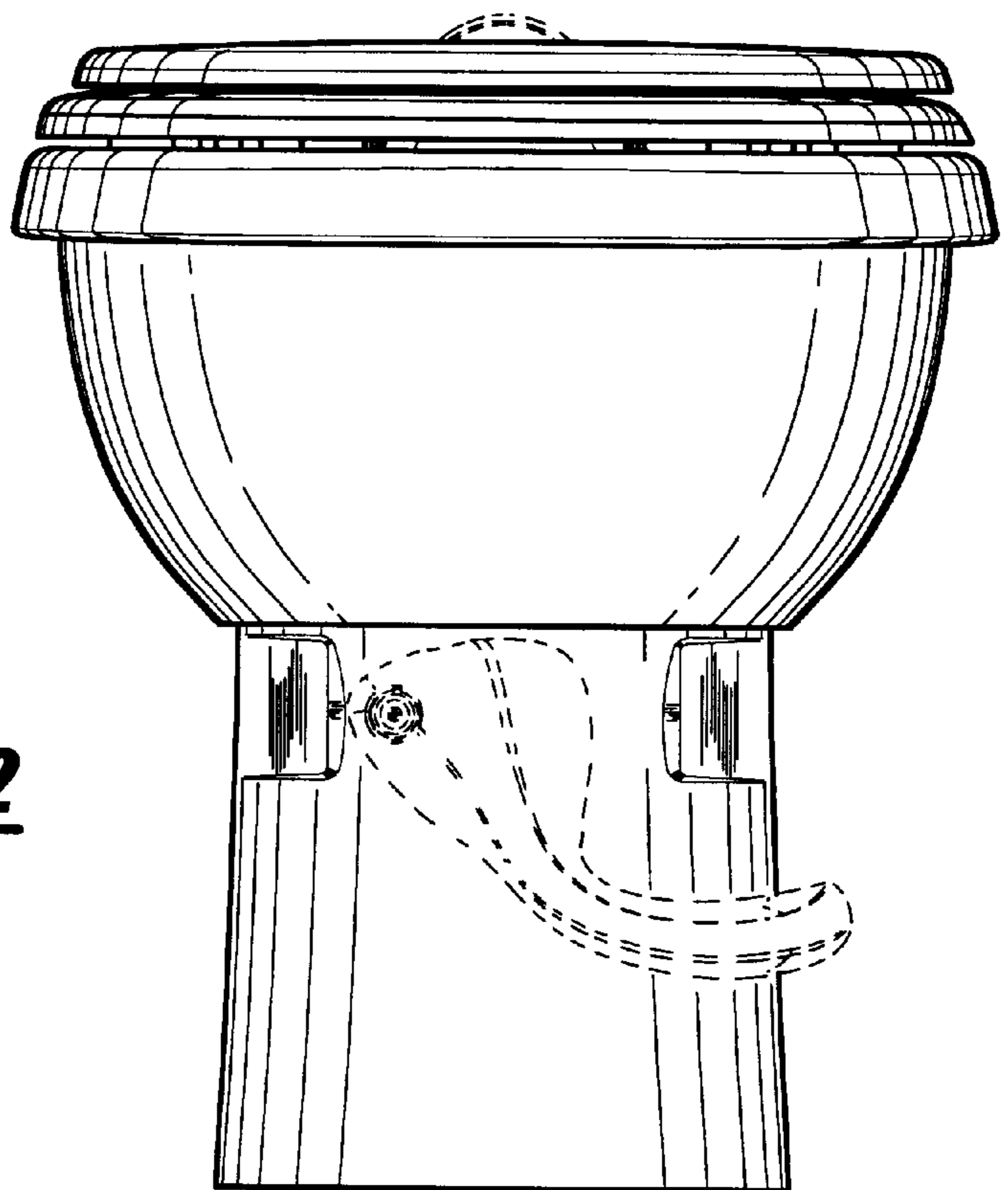
The broken line showing of portions of the flush toilet is for illustrative purposes only and forms no part of the claimed design.

**1 Claim, 3 Drawing Sheets**

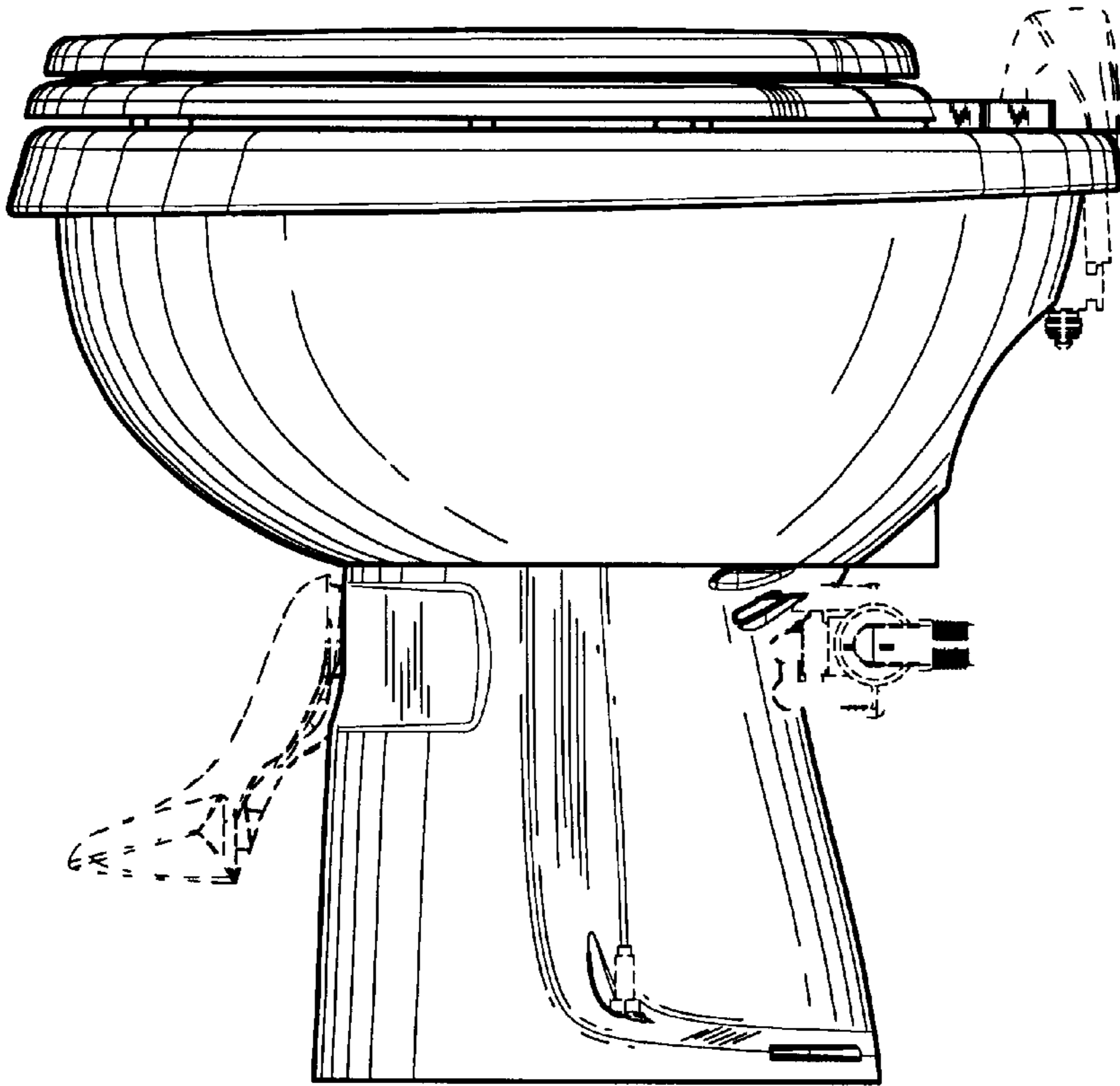




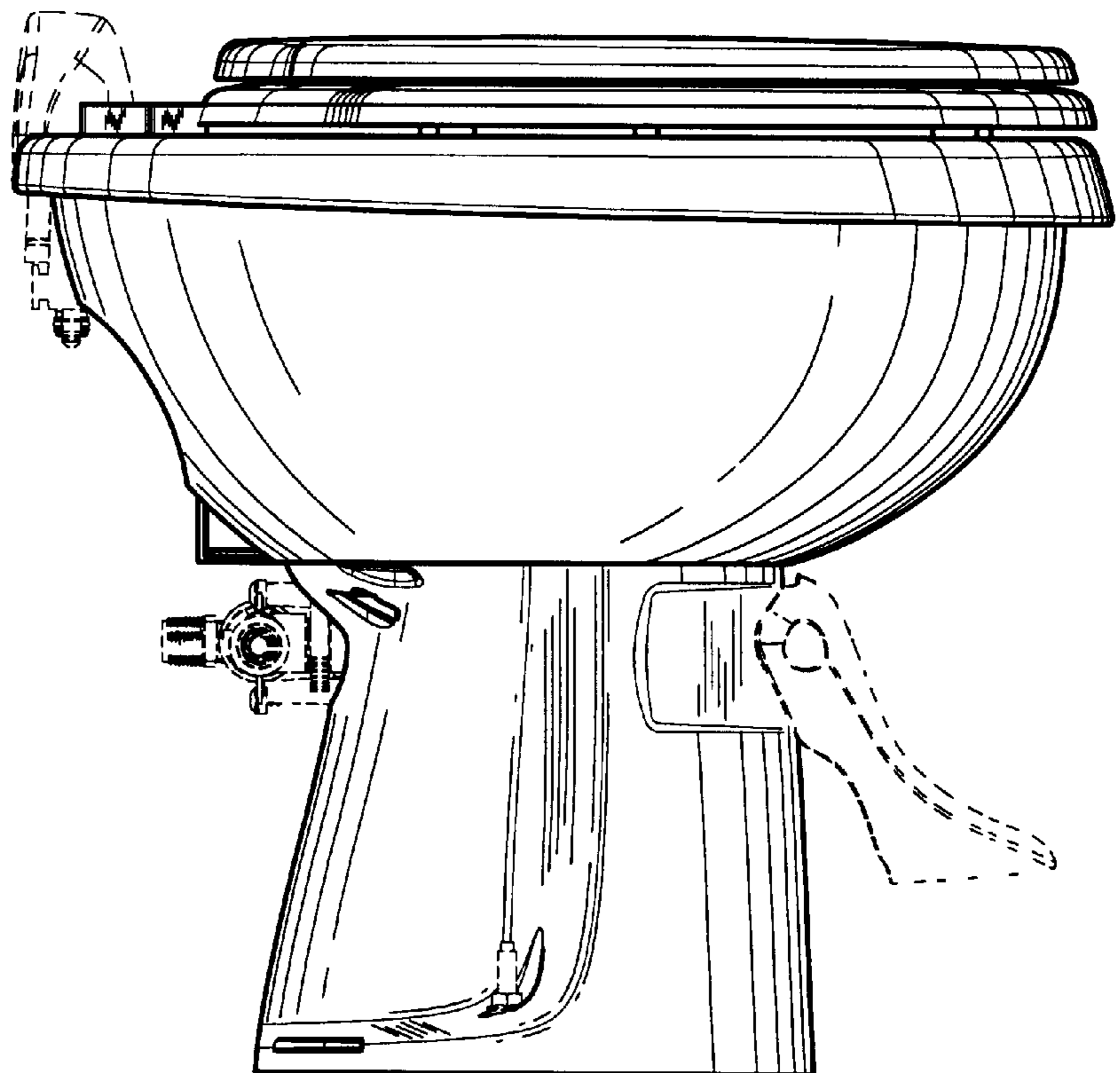
**FIG - 1**



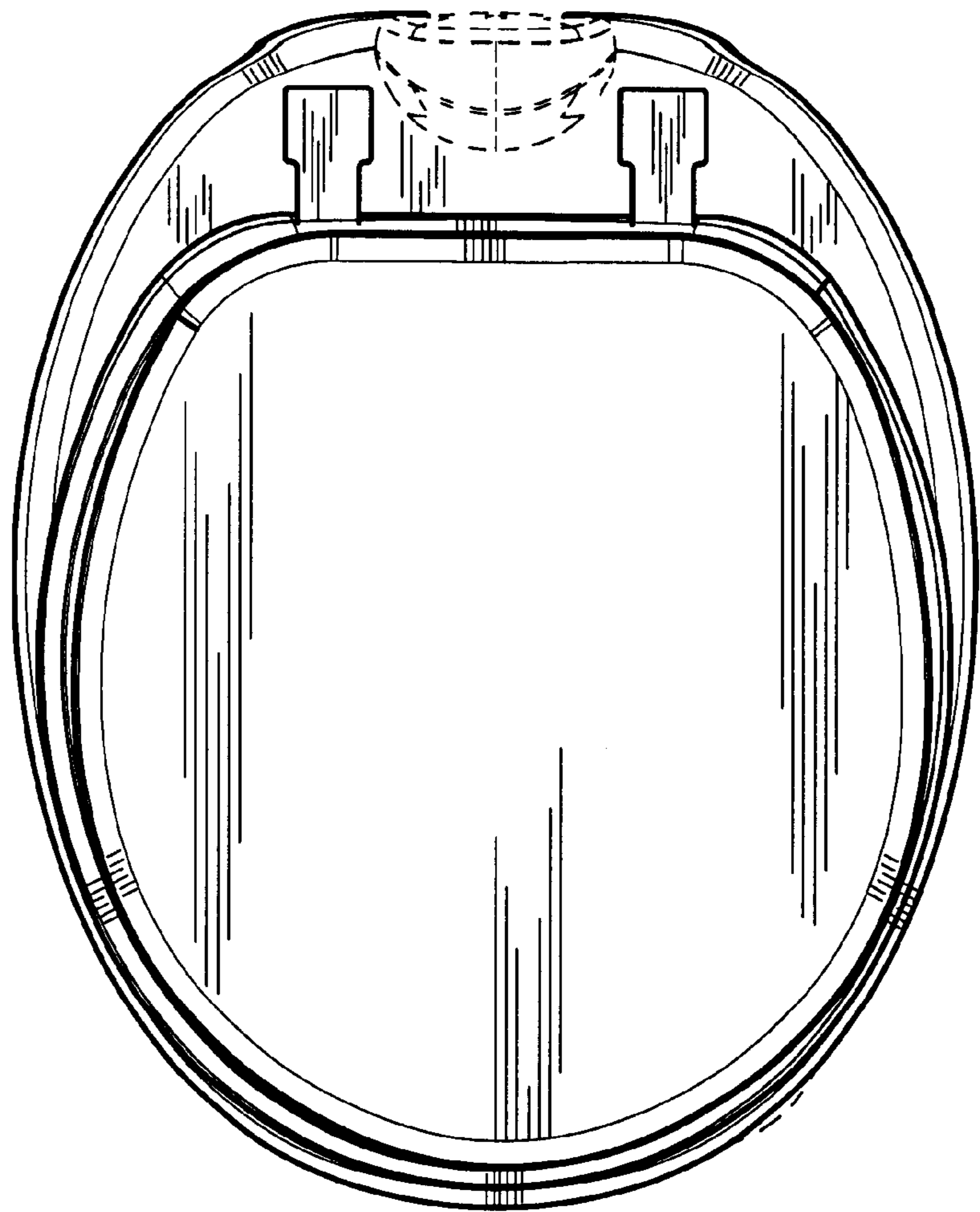
**FIG - 2**



**FIG - 3**



**FIG - 4**



**FIG - 5**