



US00D484956S

(12) **United States Design Patent**
Rachiele

(10) **Patent No.:** **US D484,956 S**

(45) **Date of Patent:** **** Jan. 6, 2004**

(54) **KITCHEN SINK**

OTHER PUBLICATIONS

(76) Inventor: **Dino F. Rachiele**, 2611 Concourse Rd.,
Apopka, FL (US) 32703

Sink shown in House and Home, May 1959, p. 172.*

(**) Term: **14 Years**

* cited by examiner

(21) Appl. No.: **29/172,634**

Primary Examiner—Louis S. Zarfes

Assistant Examiner—Robert A. Delehanty

(22) Filed: **Dec. 16, 2002**

(74) *Attorney, Agent, or Firm*—William M. Hobby, III

(51) **LOC (7) Cl.** **23-02**

(52) **U.S. Cl.** **D23/293.1**

(58) **Field of Search** D23/270-271,
D23/284-286, 291, 293.1, 303, 308; 4/662-665,
619, 630, 635, 650, 660, 661

(57) **CLAIM**

The ornamental design for a kitchen sink, as shown and described.

DESCRIPTION

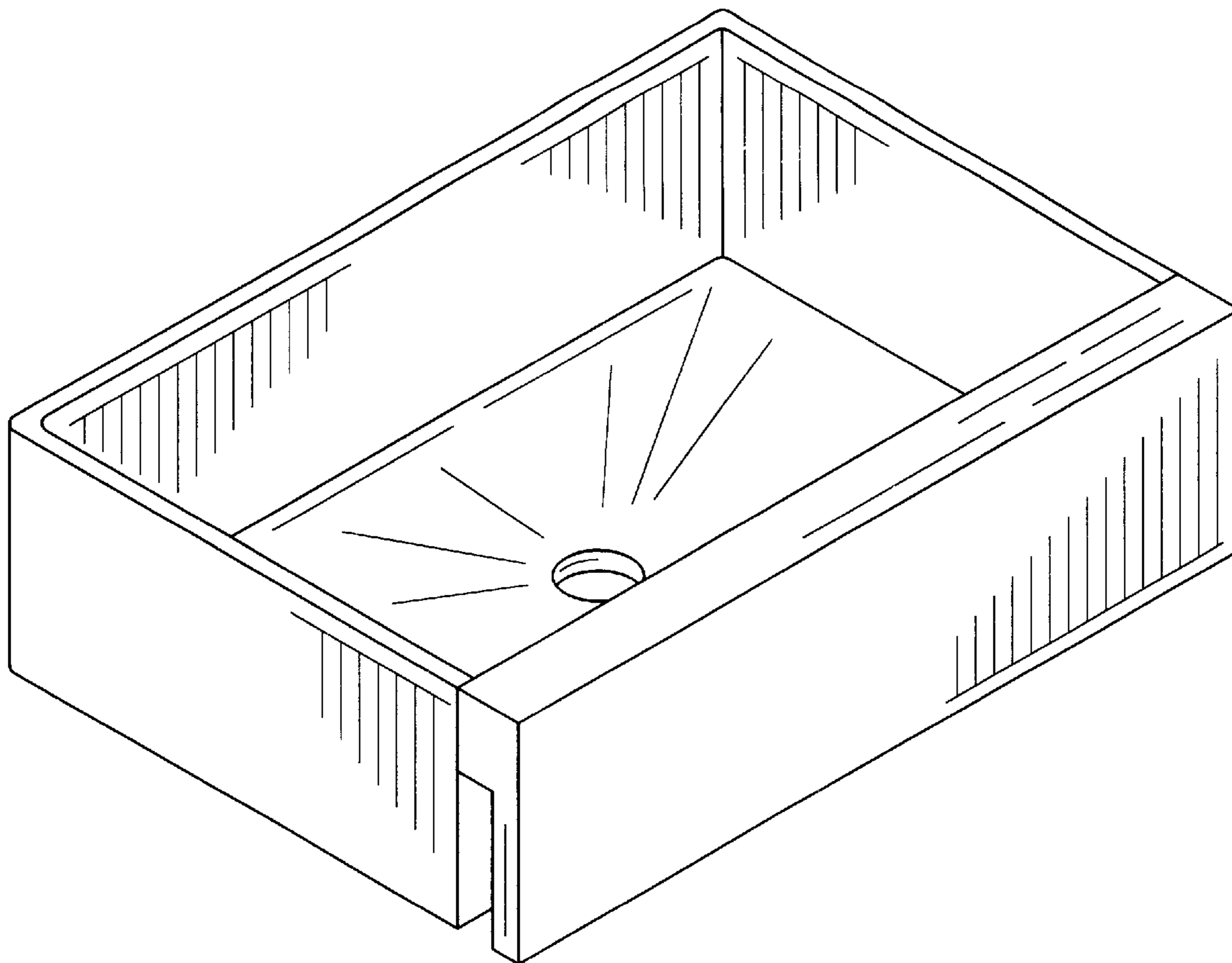
FIG. 1 is a front left side perspective of my new kitchen sink;
FIG. 2 is a rear side elevation;
FIG. 3 is a front side elevation;
FIG. 4 is a right side elevation;
FIG. 5 is a top plan view; and,
FIG. 6 is a bottom plan view.

(56) **References Cited**

U.S. PATENT DOCUMENTS

D232,322 S	*	8/1974	Lee	D23/286
D353,652 S	*	12/1994	Dannenberg	D23/293.1
D358,457 S	*	5/1995	Dannenberg	D23/293.1
D394,487 S	*	5/1998	Wilson	D23/284 X

1 Claim, 2 Drawing Sheets



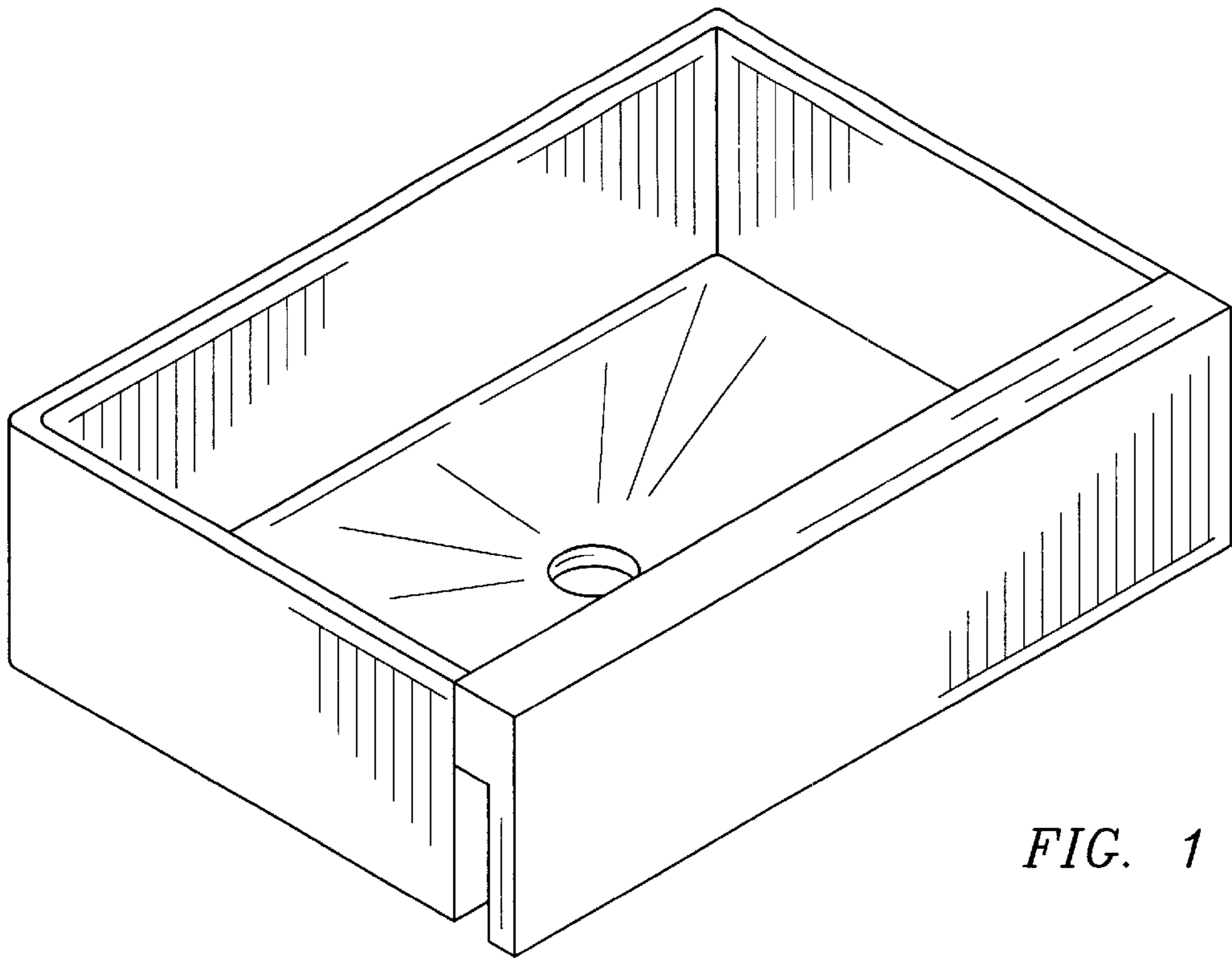


FIG. 1

FIG. 2

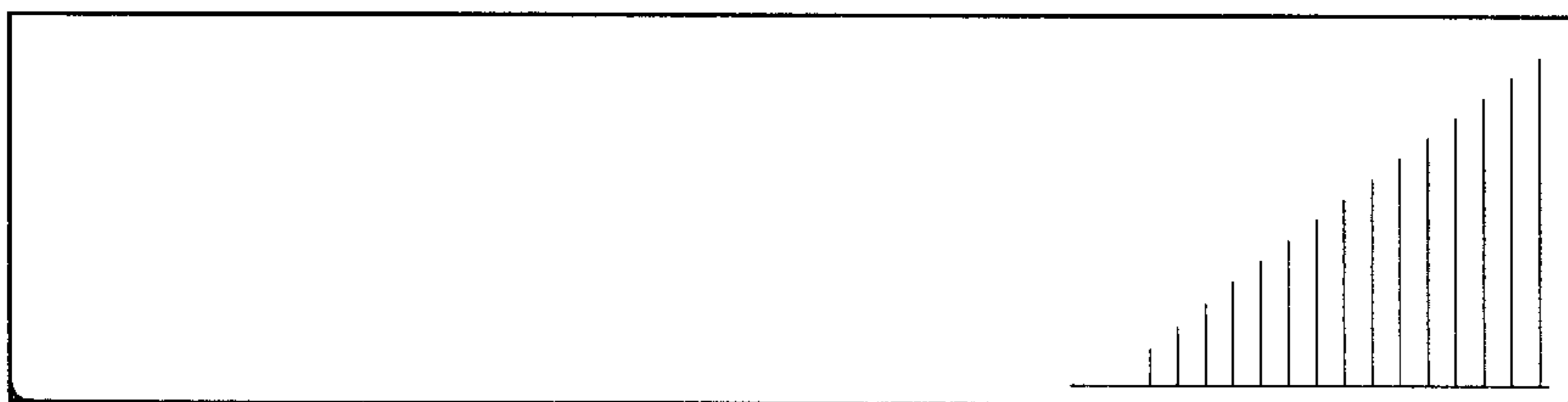
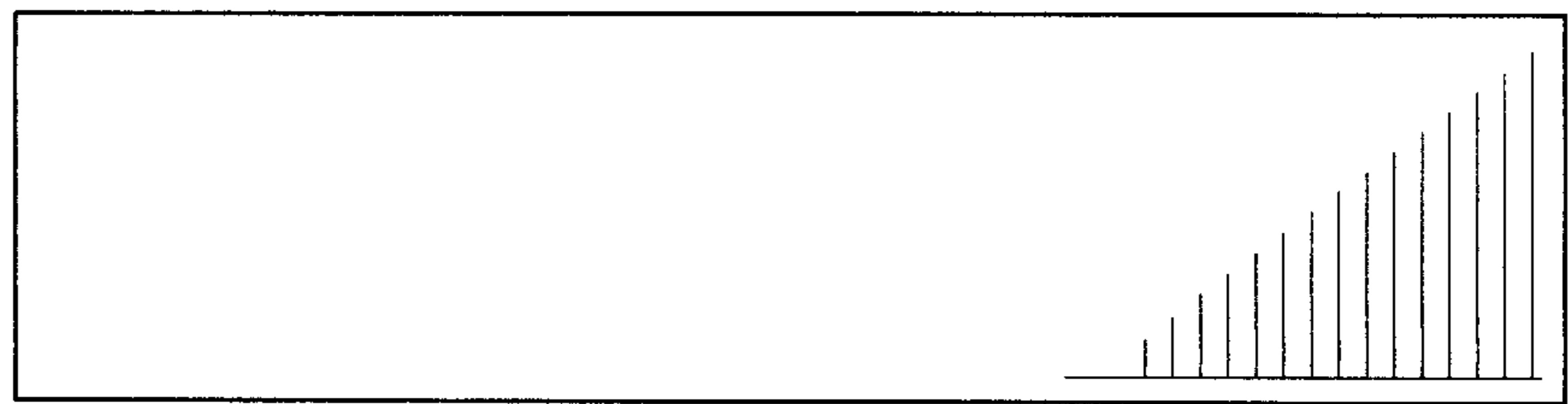


FIG. 3

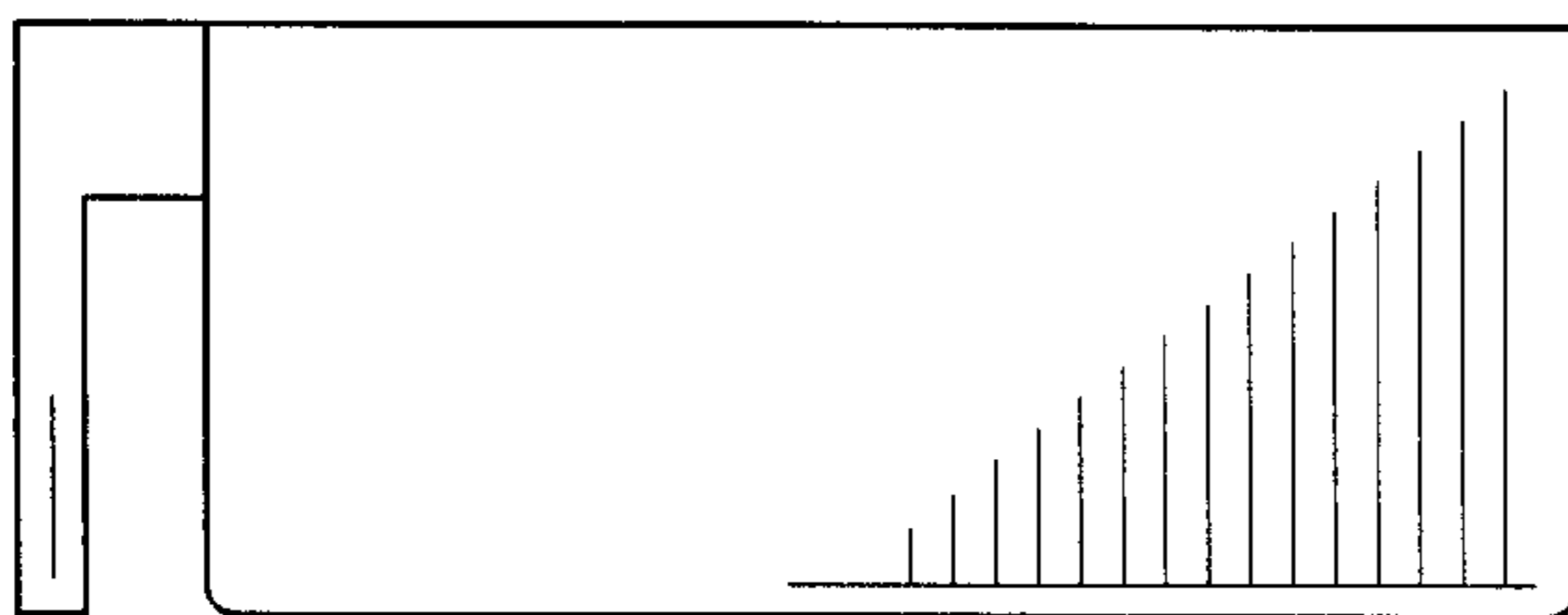


FIG. 4

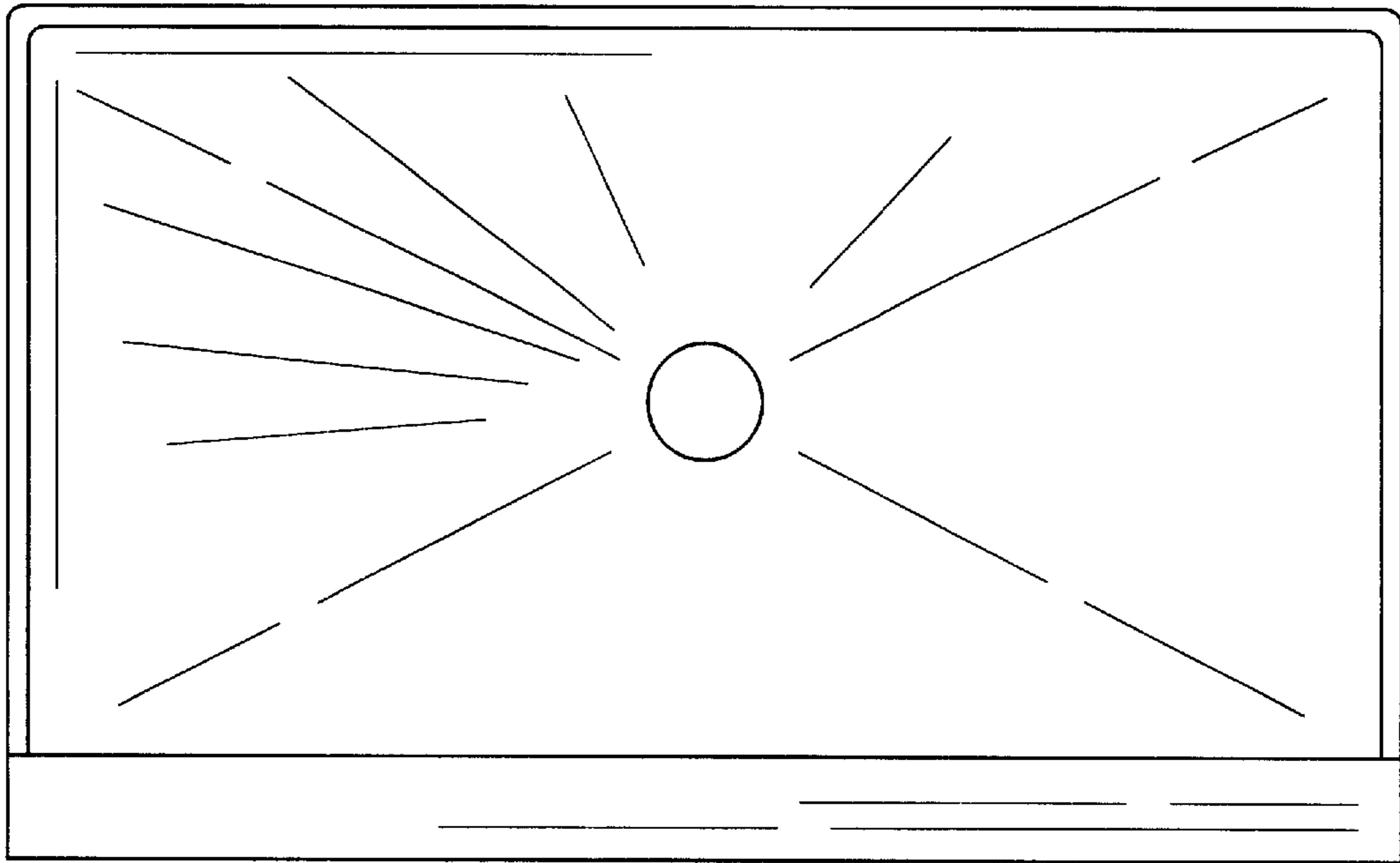


FIG. 5

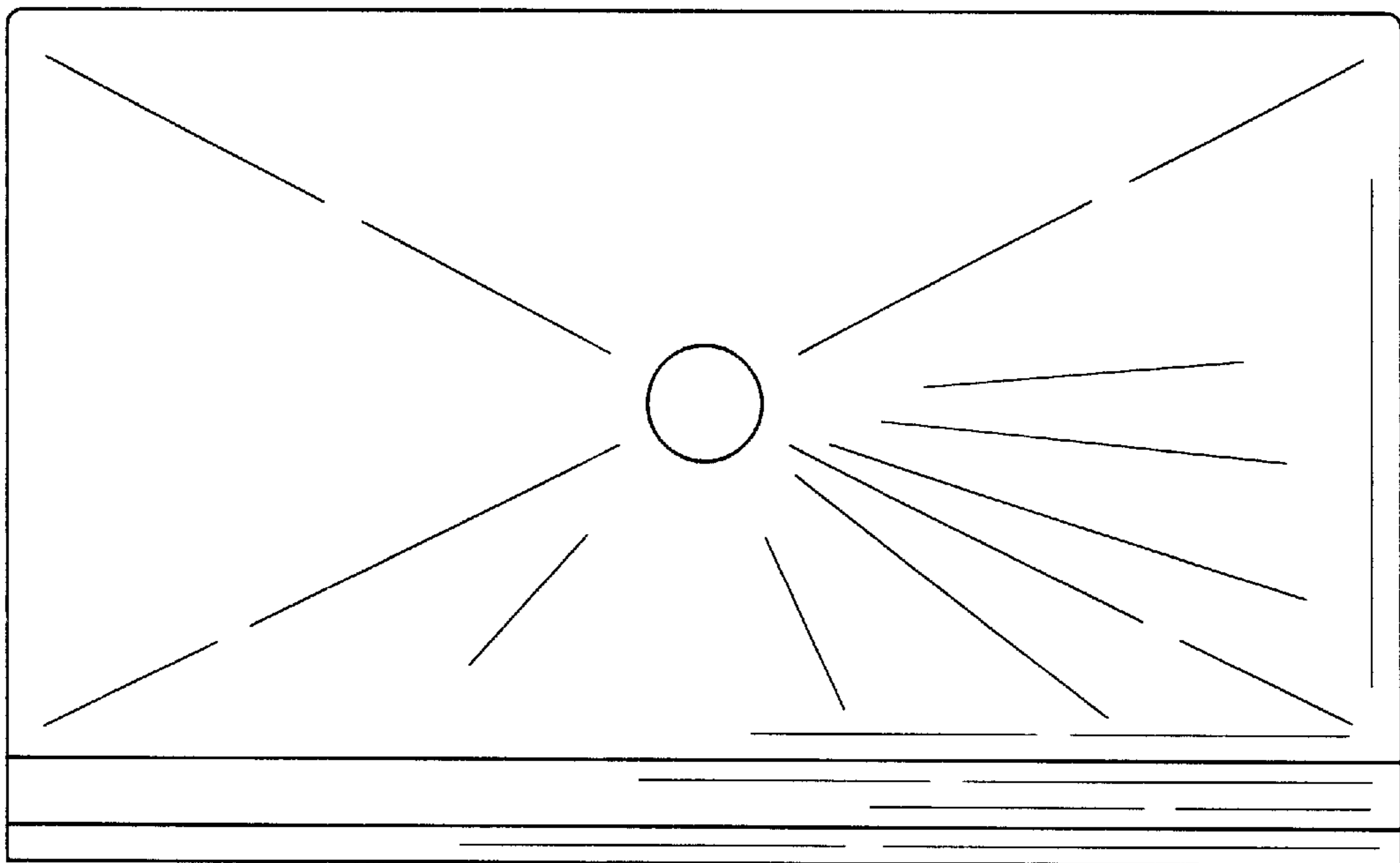


FIG. 6