



US00D484955S

(12) **United States Design Patent**  
**Shimizu**

(10) **Patent No.:** **US D484,955 S**

(45) **Date of Patent:** **\*\* Jan. 6, 2004**

(54) **BATHTUB**

D448,834 S \* 10/2001 Shimizu ..... D23/277  
D470,579 S \* 2/2003 Foster ..... D23/280.1  
D473,634 S \* 4/2003 Foster ..... D23/277

(75) Inventor: **Hideo Shimizu, Tokyo (JP)**

(73) Assignee: **Cappelline Buono Inc., Tokyo (JP)**

\* cited by examiner

(\*\*) Term: **14 Years**

*Primary Examiner*—Louis S. Zarfaz  
*Assistant Examiner*—Robert A. Delehanty  
(74) *Attorney, Agent, or Firm*—Ladas & Parry

(21) Appl. No.: **29/168,057**

(22) Filed: **Sep. 24, 2002**

(57) **CLAIM**

(30) **Foreign Application Priority Data**

The ornamental design for “bathtub,” as shown.

Apr. 4, 2002 (JP) ..... 2002-009043

**DESCRIPTION**

(51) **LOC (7) Cl.** ..... **23-02**

FIG. 1 is a front view showing the design of this invention;

(52) **U.S. Cl.** ..... **D23/277; D23/280.2**

FIG. 2 is a back view thereof;

(58) **Field of Search** ..... D23/273, 275,

FIG. 3 is a right side view thereof;

D23/276, 277, 278, 279, 280.1, 280.2, 280.3,

FIG. 4 is a left side view thereof;

303, 304, 305; D24/204, 205; 4/538, 546–548,

FIG. 5 is a top view thereof;

551, 555–557, 559, 571.1–579, 584–586,

FIG. 6 is a bottom view thereof; and,

589, 593, 661

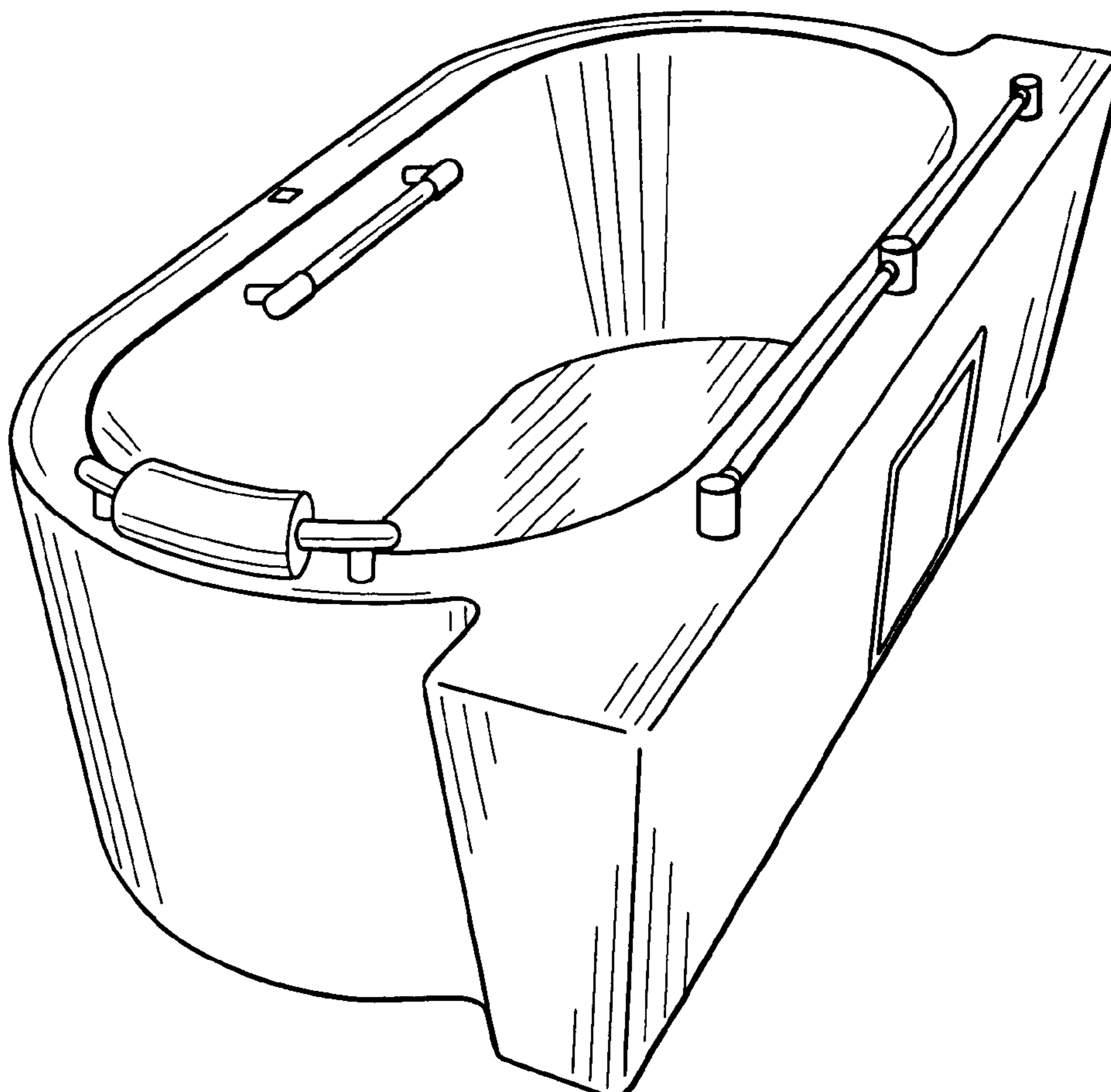
FIG. 7 is a perspective view thereof.

(56) **References Cited**

**U.S. PATENT DOCUMENTS**

D444,546 S \* 7/2001 Shimizu ..... D23/277

**1 Claim, 4 Drawing Sheets**



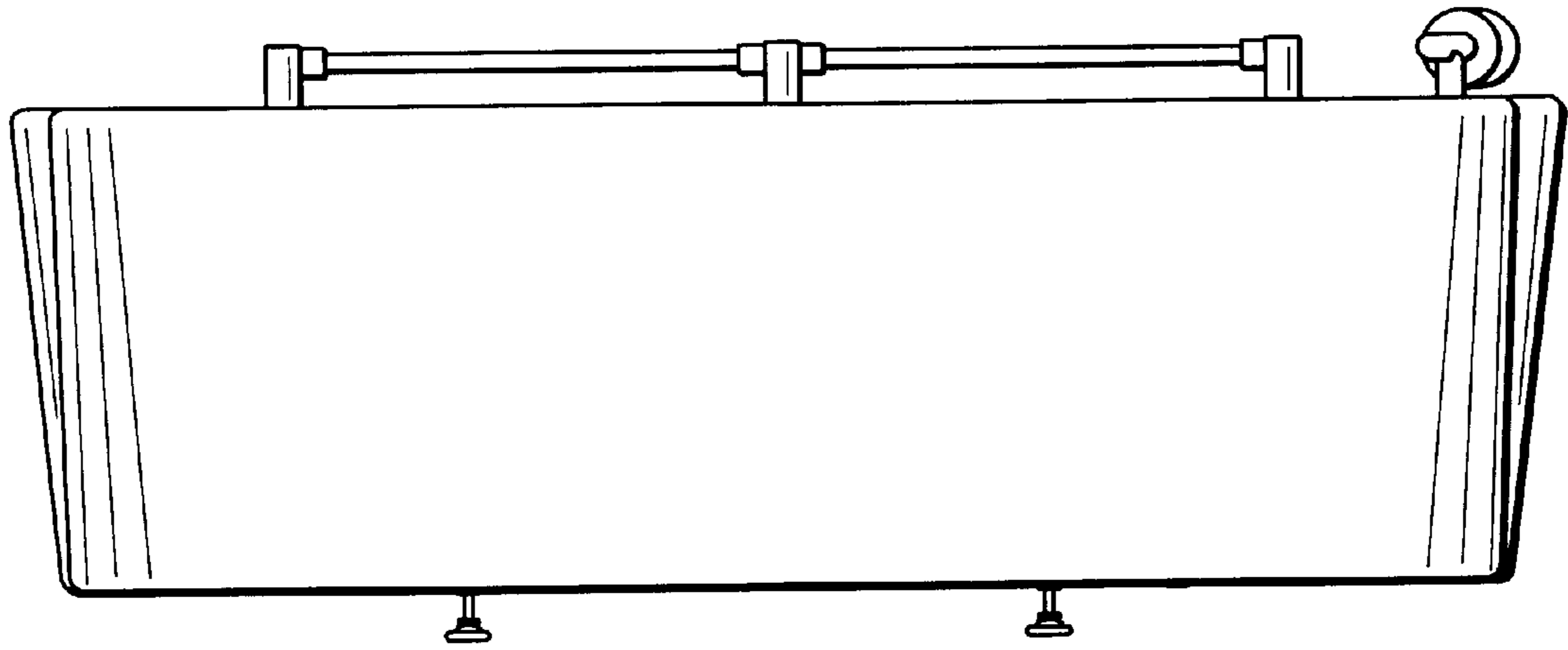


FIG. 1

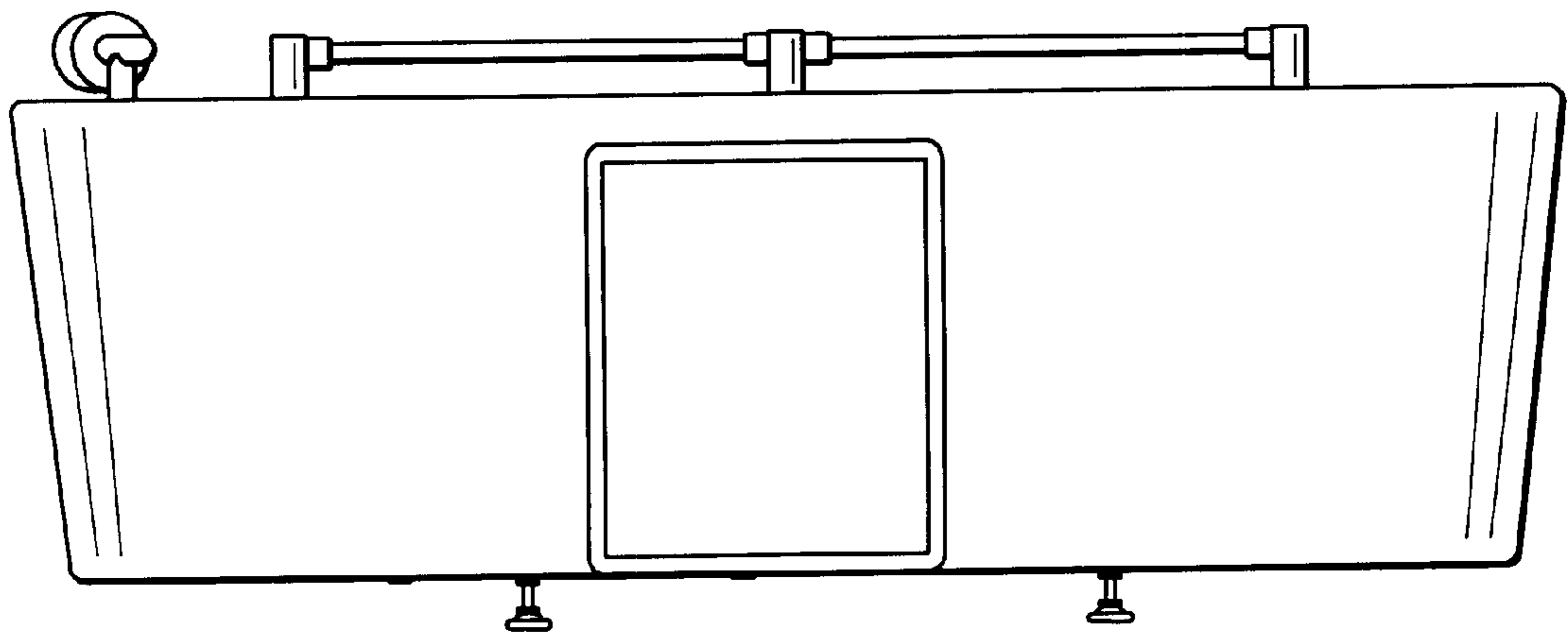


FIG. 2

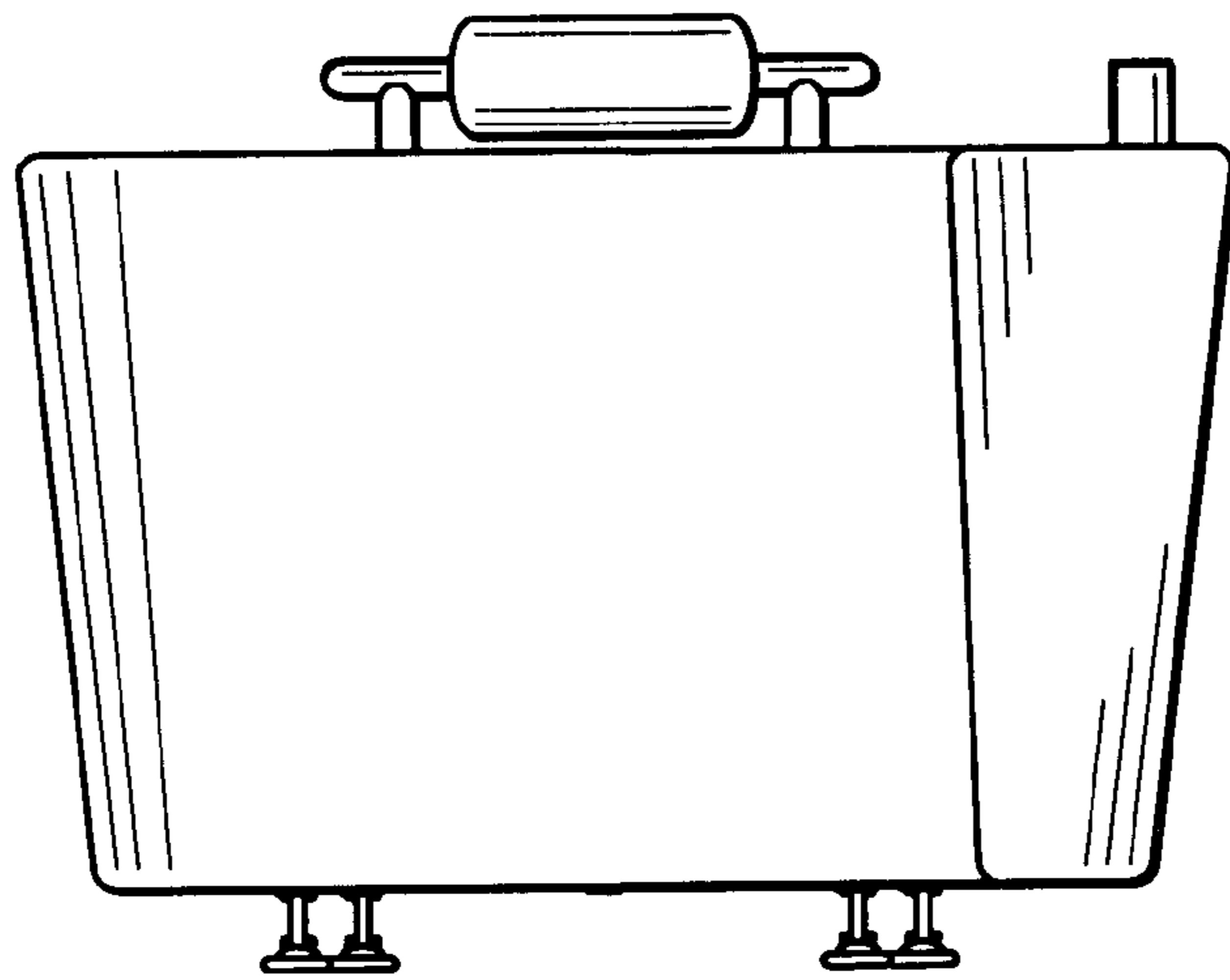


FIG. 3

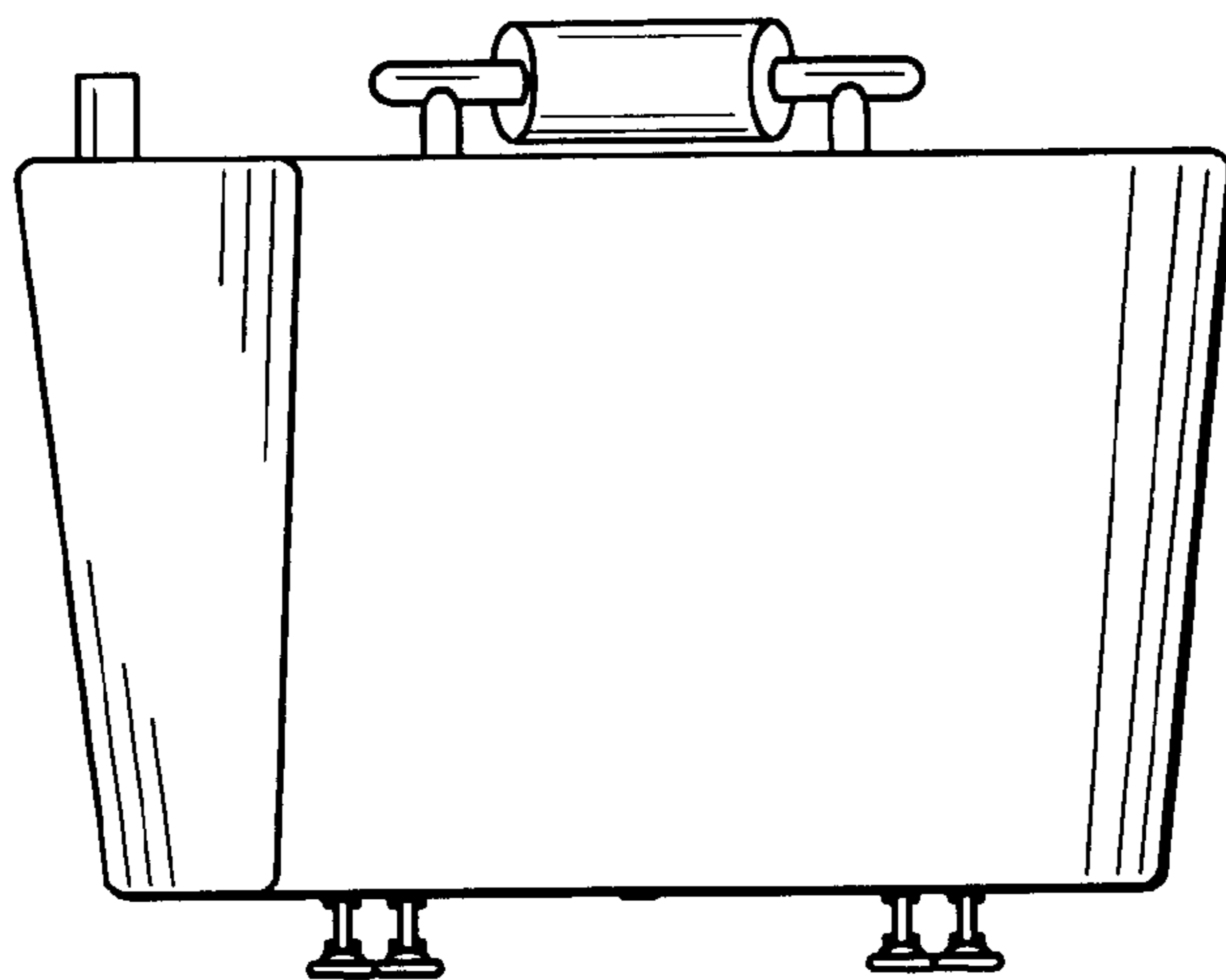


FIG. 4

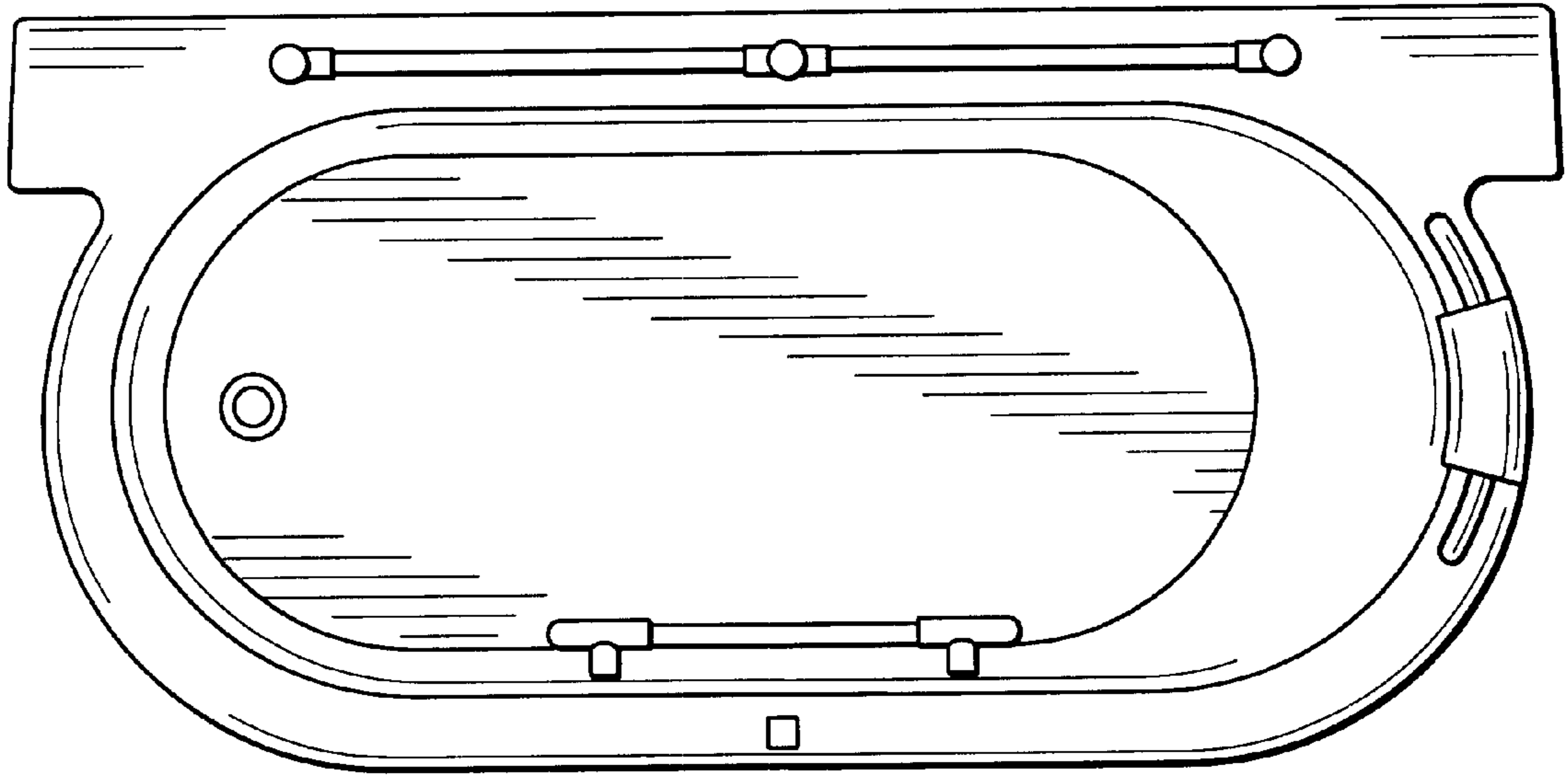


FIG. 5

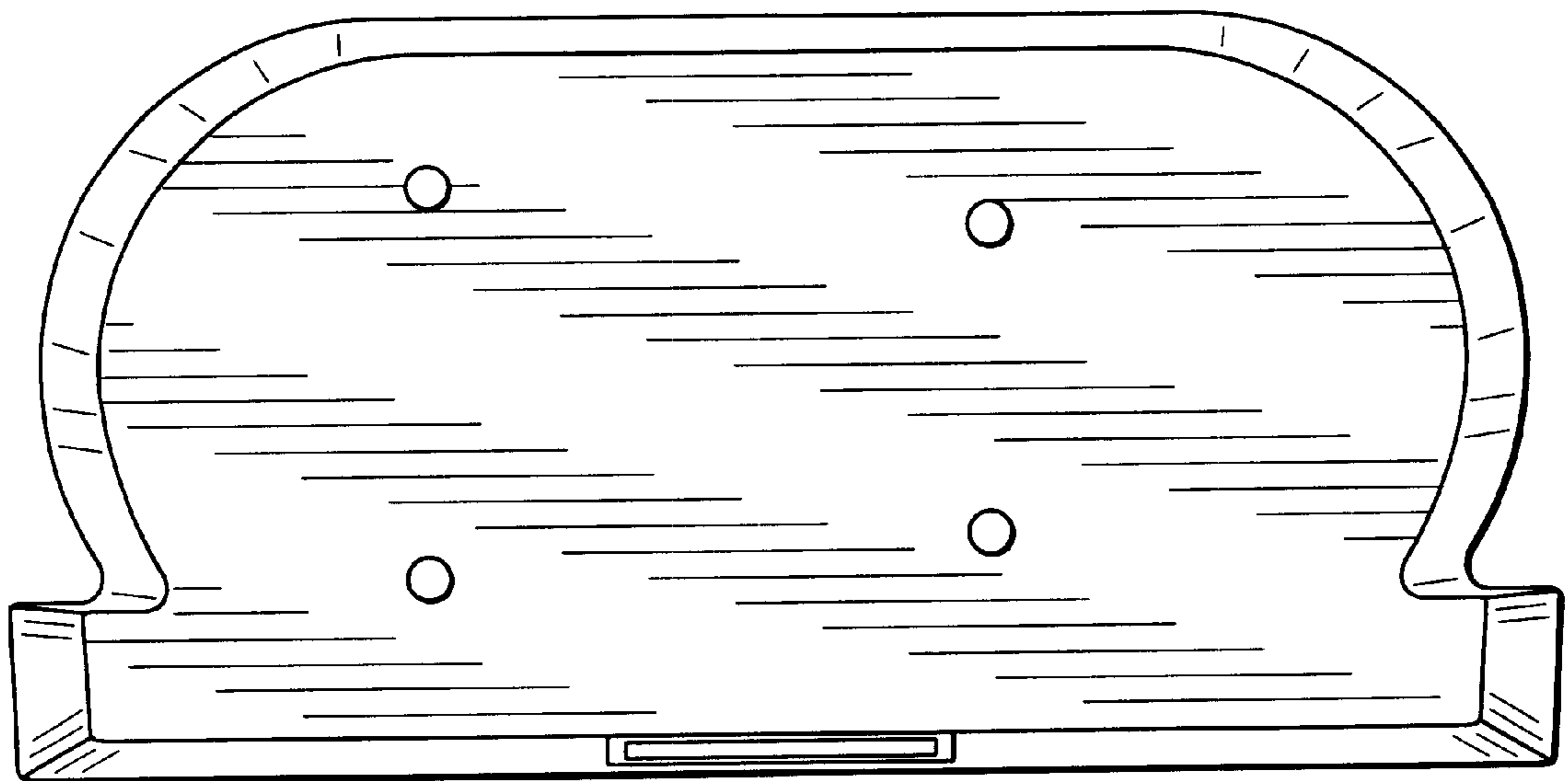


FIG. 6

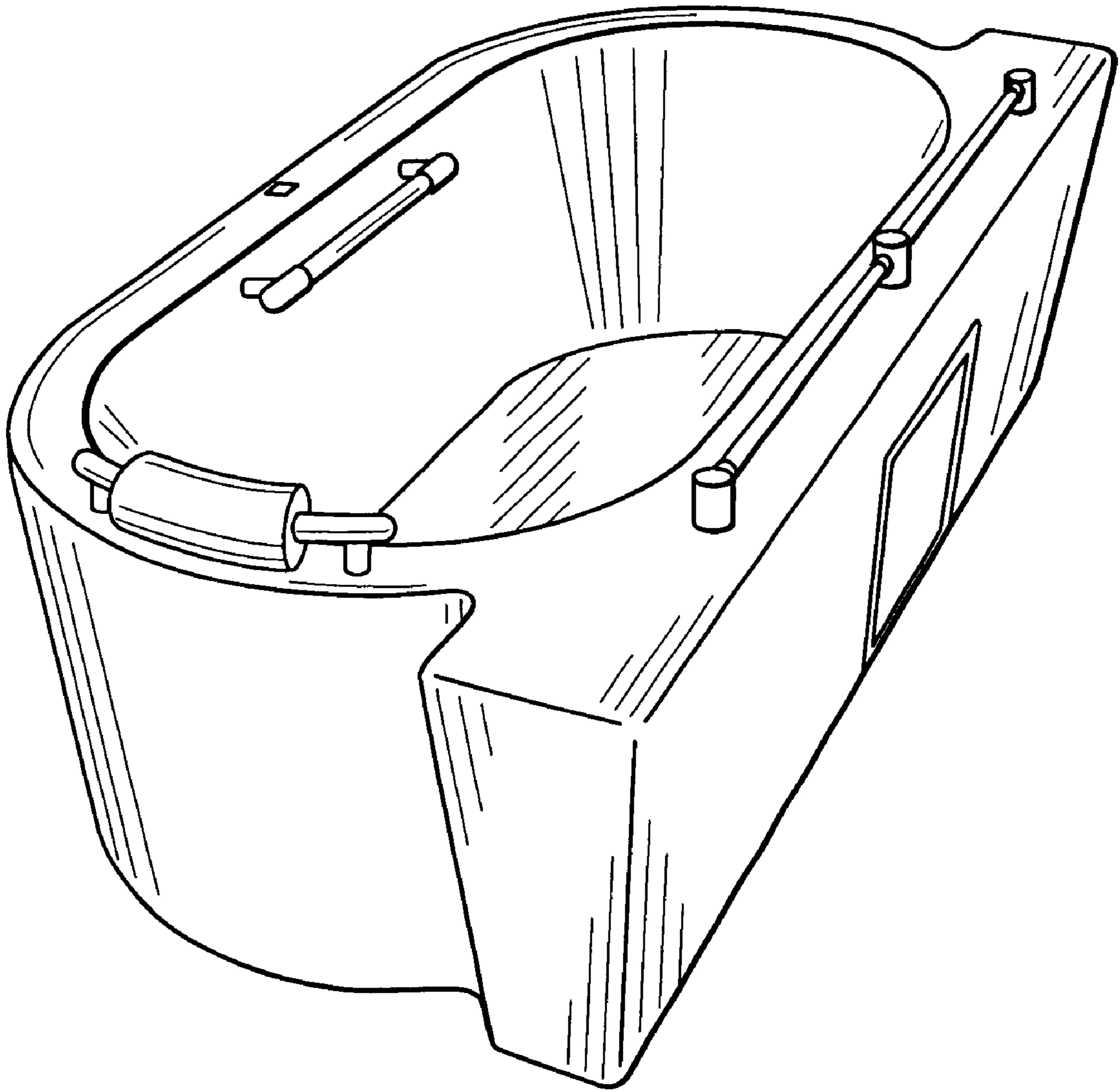


FIG. 7