



US00D484954S

(12) **United States Design Patent**
Painter et al.

(10) **Patent No.:** **US D484,954 S**
(45) **Date of Patent:** **** Jan. 6, 2004**

(54) **WHIRLPOOL TUB**

(75) Inventors: **Michael J. Painter**, Columbus, OH (US); **Sherry Lynn Jones**, Pataskala, OH (US); **Christopher P. Marks**, Pickerington, OH (US); **Paul P. Kolada**, Bexley, OH (US)

(73) Assignee: **American Standard Inc.**, Piscataway, NJ (US)

(**) Term: **14 Years**

(21) Appl. No.: **29/157,795**

(22) Filed: **Mar. 25, 2002**

(51) **LOC (7) Cl.** **23-02**

(52) **U.S. Cl.** **D23/277**

(58) **Field of Search** D24/204, 205;
4/541.1, 541.2, 541.3, 541.4, 541.5, 541.6,
538

(56) **References Cited**

U.S. PATENT DOCUMENTS

D254,870 S * 4/1980 Ogden D24/204
D265,922 S * 8/1982 Jasperson D23/280.1

D286,568 S * 11/1986 Kingsley D24/204
D288,239 S * 2/1987 D’Innocente et al. D24/204
D300,360 S * 3/1989 Jacuzzi D24/204
D308,574 S * 6/1990 D’Innocente et al. D24/204

* cited by examiner

Primary Examiner—Stella Reid

(74) *Attorney, Agent, or Firm*—Frommer Lawrence & Haug LLP; Matthew K. Ryan

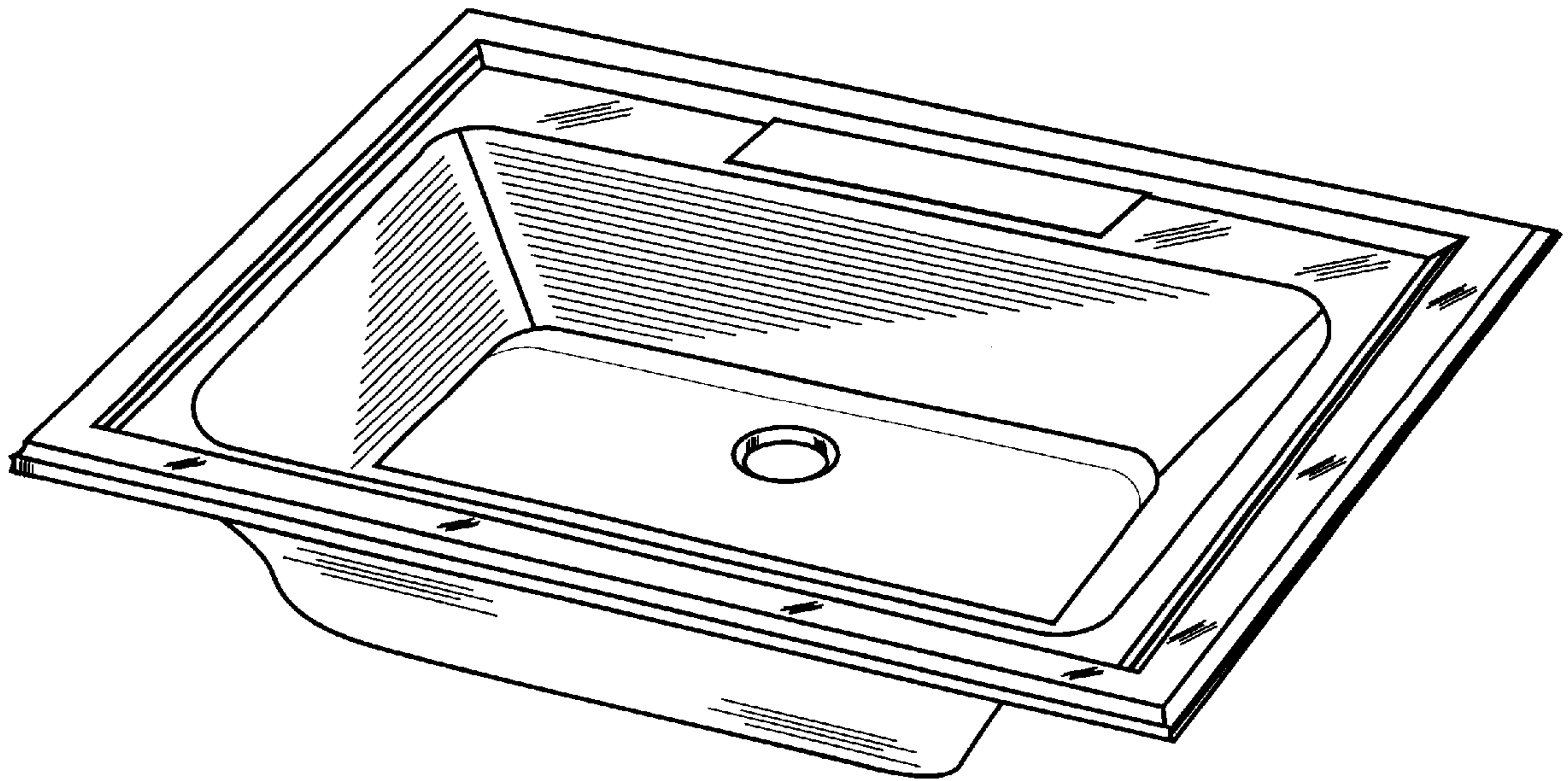
(57) **CLAIM**

The ornamental design for a whirlpool tub, as shown.

DESCRIPTION

FIG. 1 is a perspective view of a whirlpool tub, showing our new design;
FIG. 2 is a top view of the whirlpool tub of FIG. 1;
FIG. 3 is a bottom view of the whirlpool tub of FIG. 1;
FIG. 4 is a left side view of the whirlpool tub of FIG. 1;
FIG. 5 is a right side view of the whirlpool tub of FIG. 1;
FIG. 6 is a rear view of the whirlpool tub of FIG. 1;
FIG. 7 is an enlarged fragmentary perspective view of the whirlpool tub of FIG. 1; and,
FIG. 8 is a front view of the whirlpool tub of FIG. 1.

1 Claim, 8 Drawing Sheets



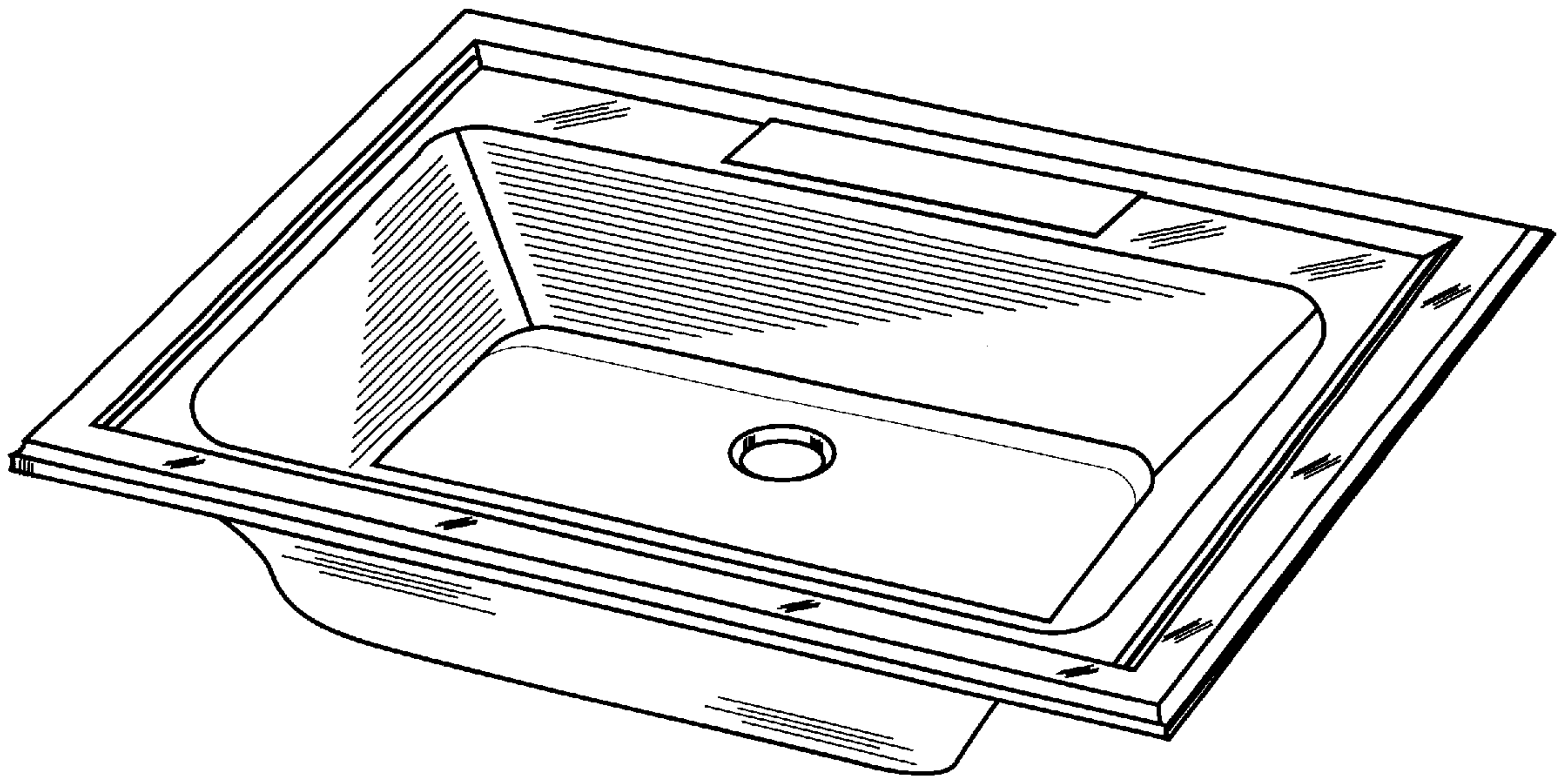


FIG. 1

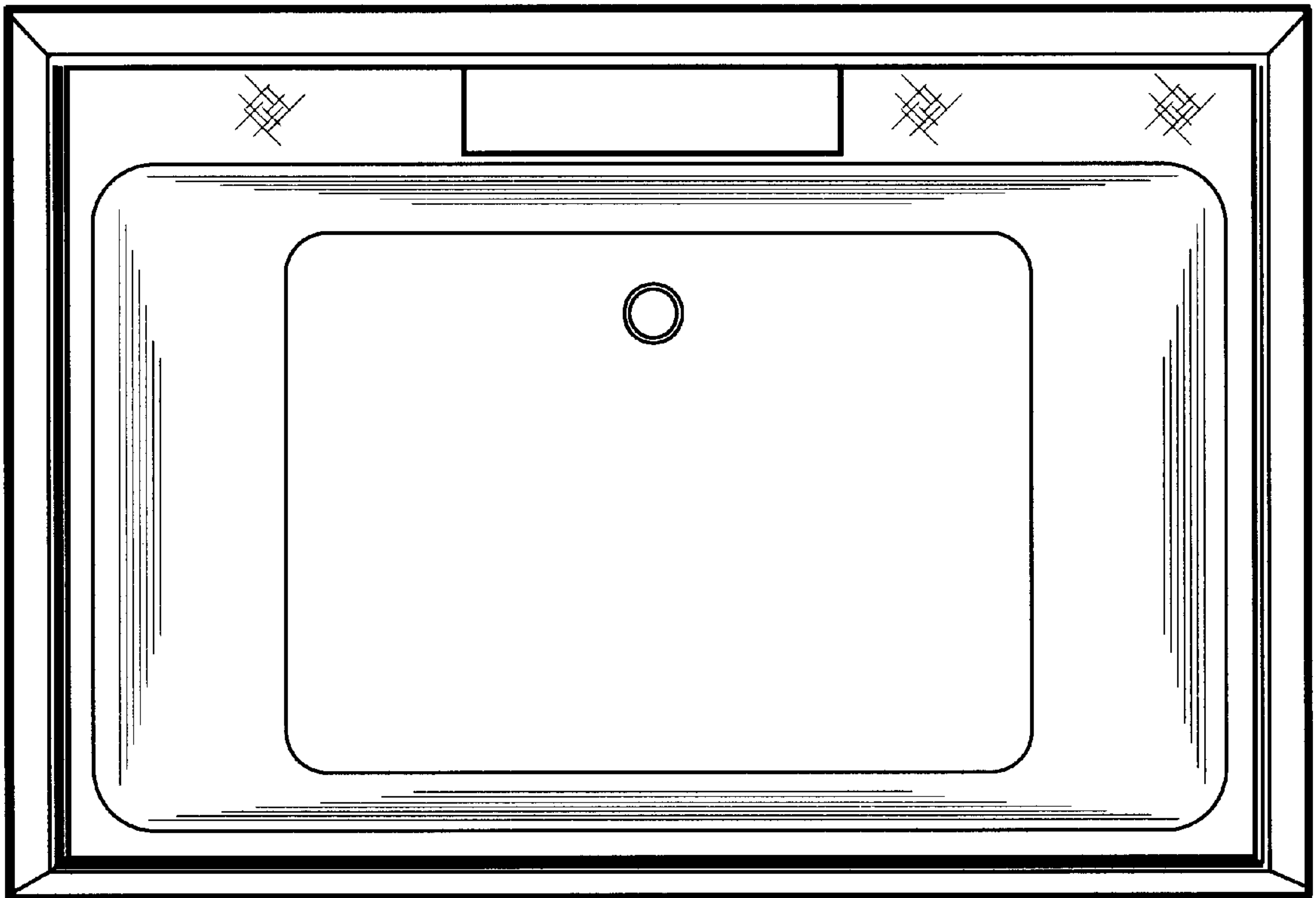


FIG. 2

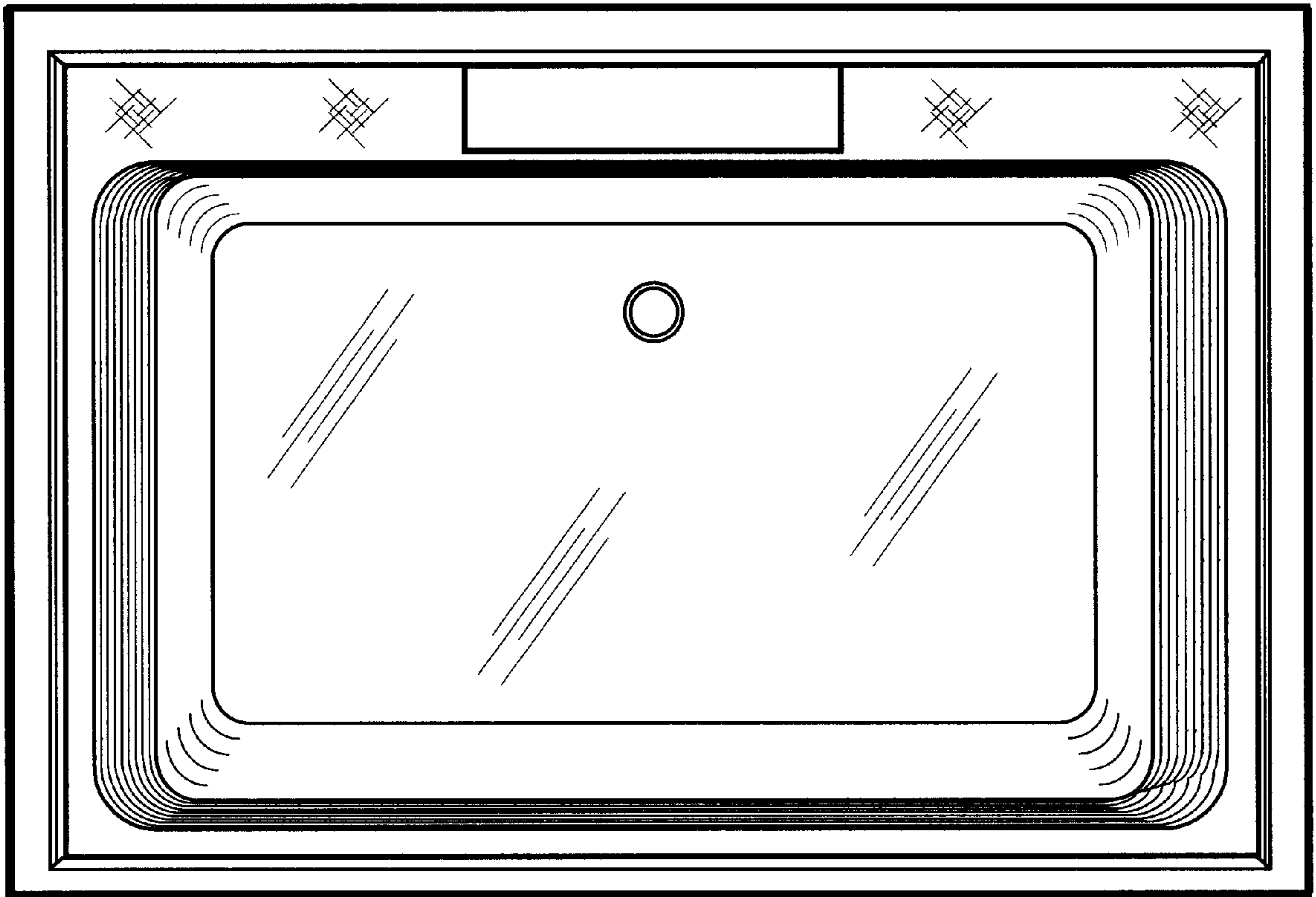


FIG. 3

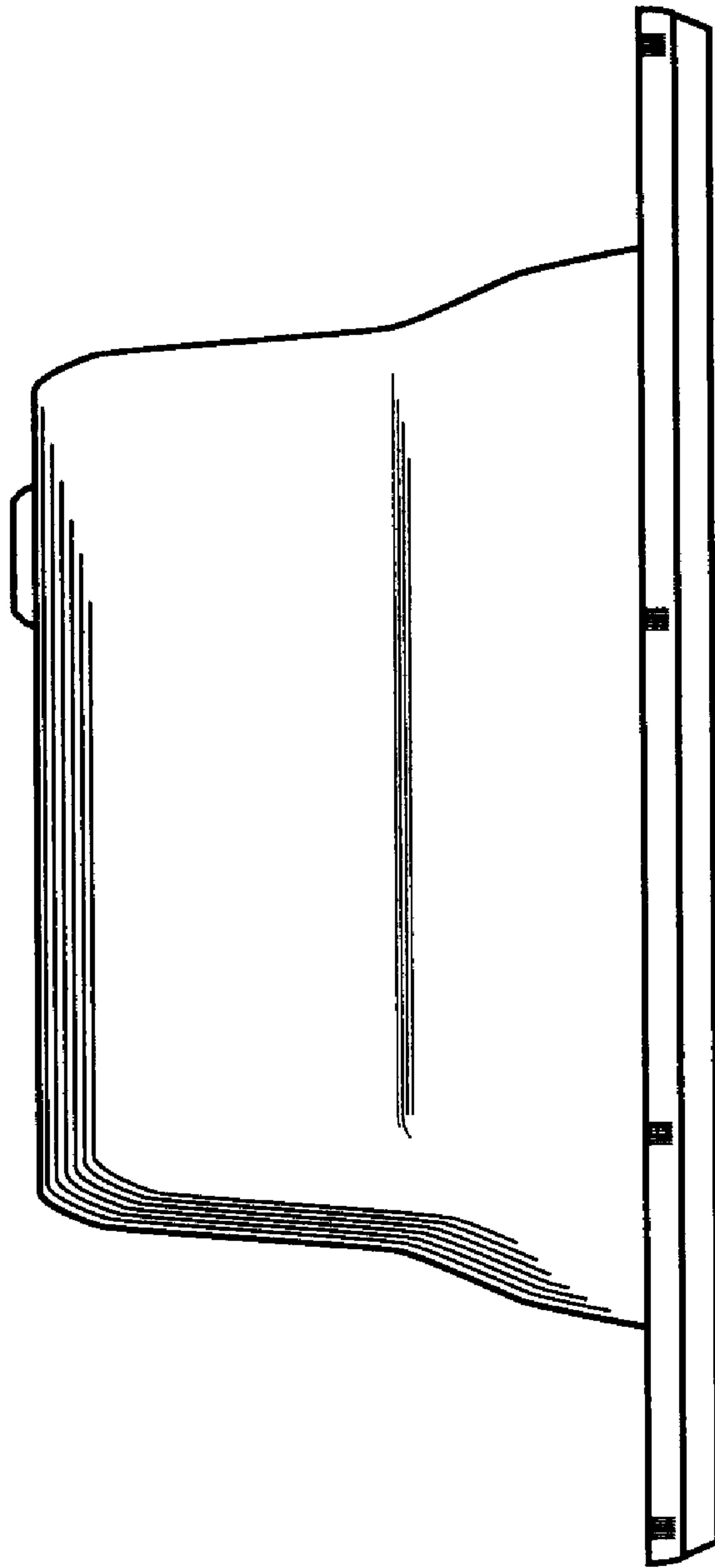


FIG. 4

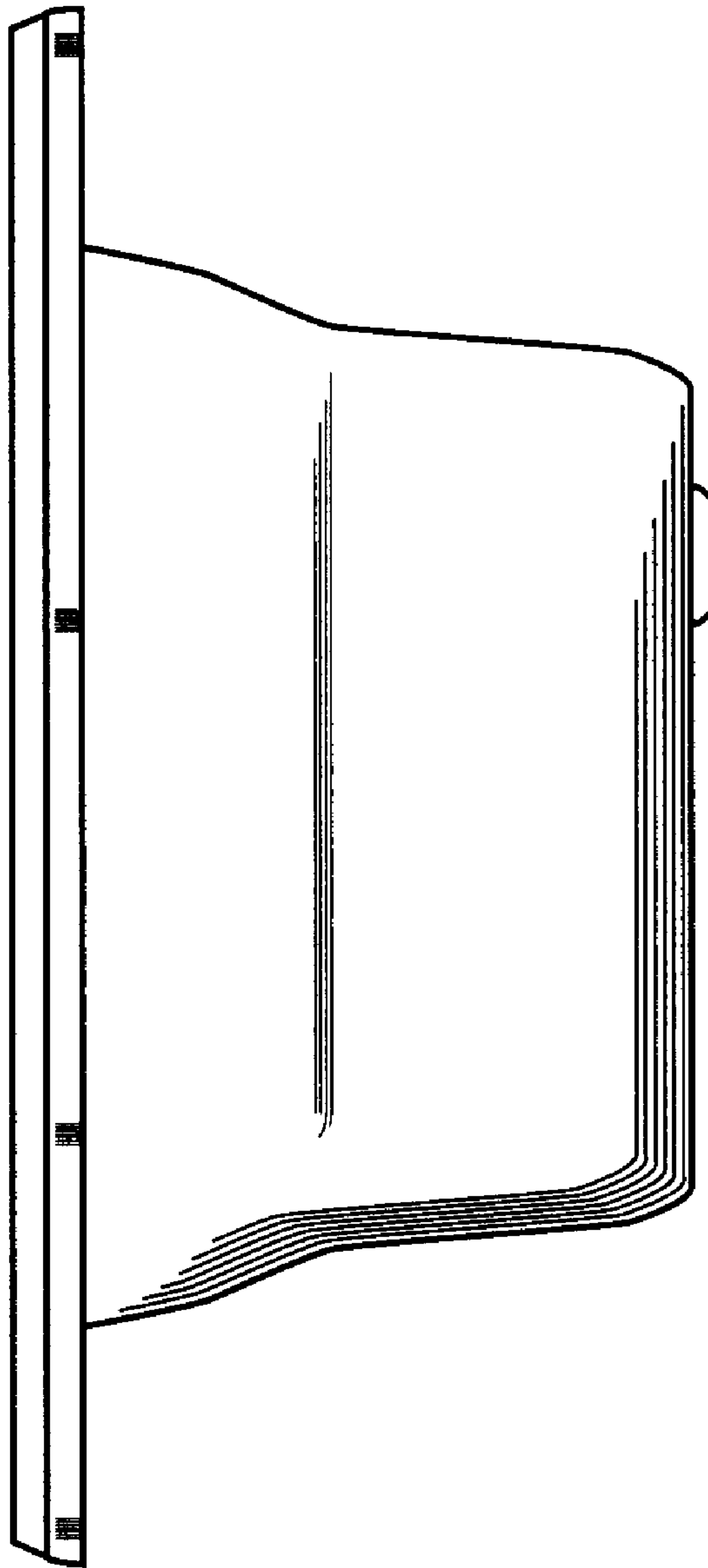


FIG. 5

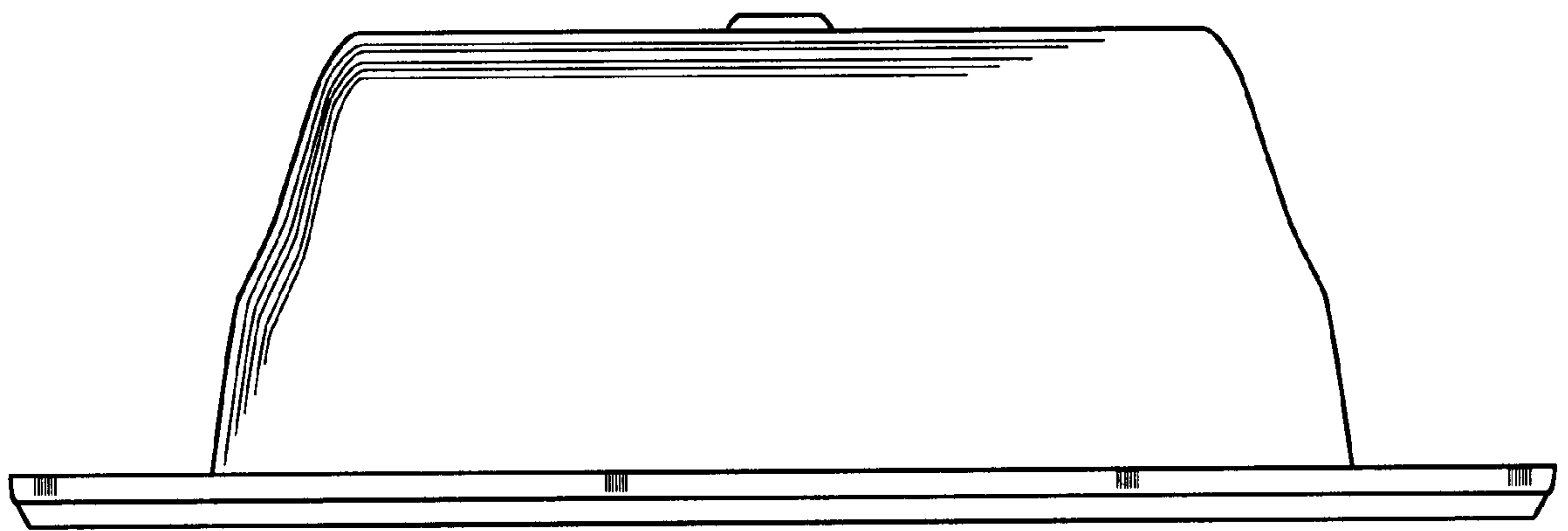


FIG. 6

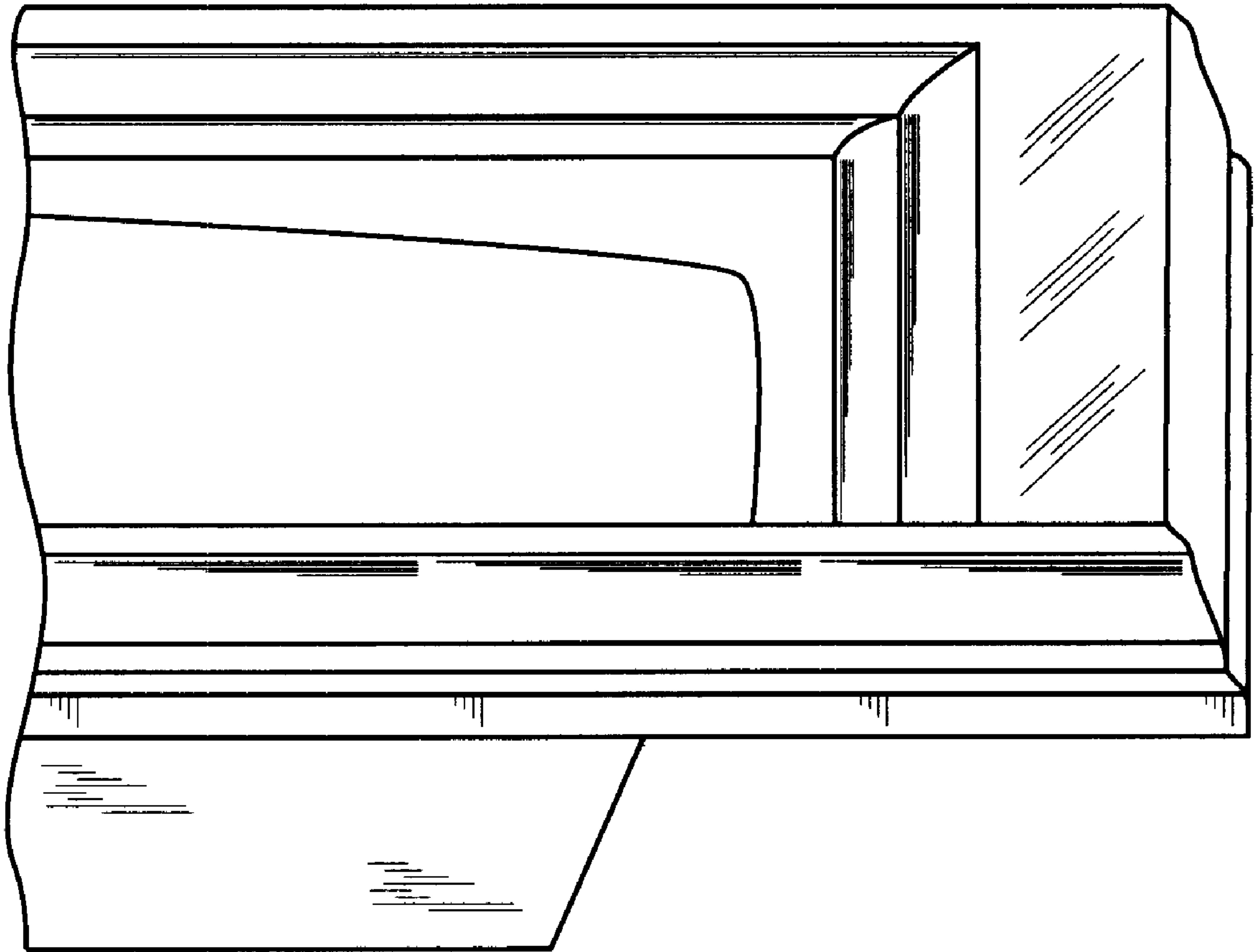


FIG. 7

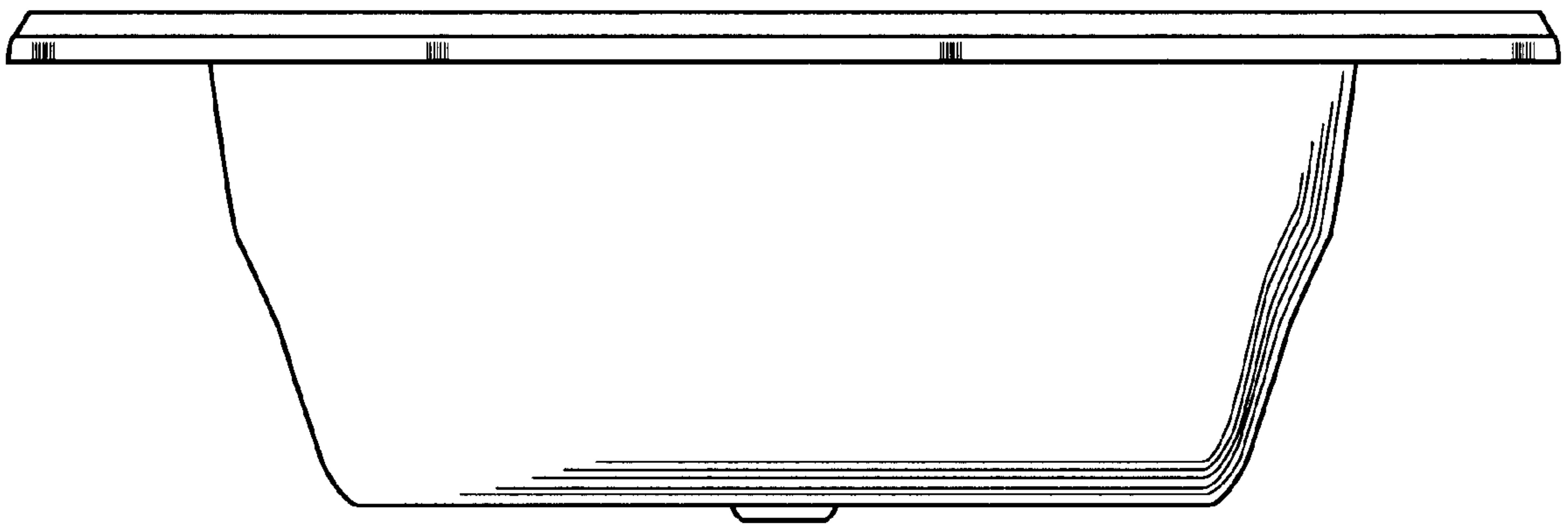


FIG. 8