



US00D484948S

(12) **United States Design Patent**
Green et al.

(10) **Patent No.:** **US D484,948 S**

(45) **Date of Patent:** **** Jan. 6, 2004**

(54) **FAUCET ASSEMBLY**

(75) Inventors: **John Green**, Hamilton (NZ);
Waltherus Maria Johannes
Ramaekers, Hamilton (NZ)

(73) Assignee: **Greens Industries Limited**, Hamilton
(NZ)

(**) Term: **14 Years**

(21) Appl. No.: **29/172,182**

(22) Filed: **Dec. 6, 2002**

(51) **LOC (7) Cl.** **23-01**

(52) **U.S. Cl.** **D23/238**

(58) **Field of Search** D23/238-243,
D23/250-257; 4/675-678; 137/801

(56) **References Cited**

U.S. PATENT DOCUMENTS

D324,905 S * 3/1992 Chretein D23/238

D424,172 S * 5/2000 Haug et al. D23/238

* cited by examiner

Primary Examiner—Louis S. Zarfes

Assistant Examiner—Gregory Andoll

(74) *Attorney, Agent, or Firm*—Knobbe, Martens, Olson &
Bear, LLP

(57) **CLAIM**

The ornamental design for a faucet assembly, as shown and described.

DESCRIPTION

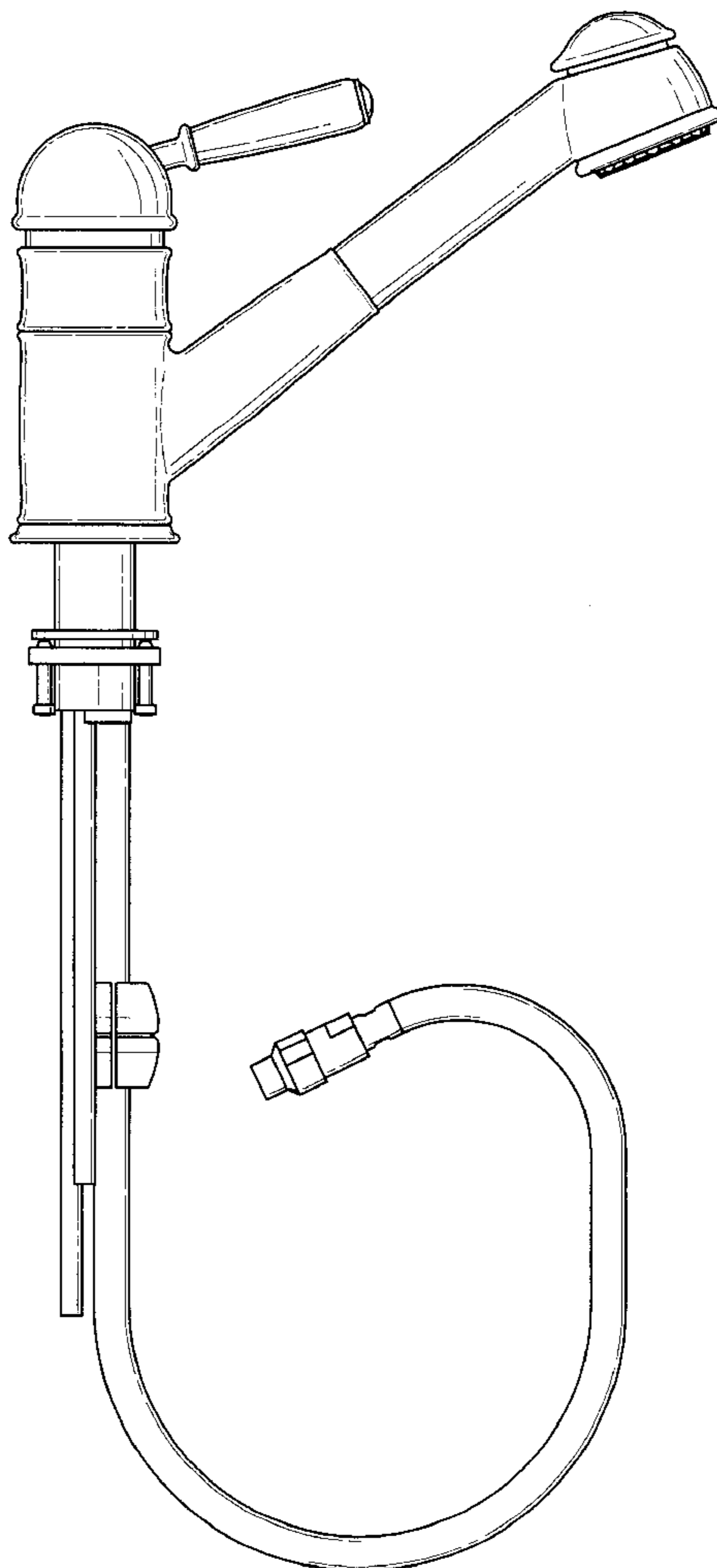
FIG. 1 is a rear view of an faucet assembly having a unique configuration of the present design;

FIG. 2 is a top view of an faucet assembly having a unique configuration of the present design;

FIG. 3 is a front view of an faucet assembly having a unique configuration of the present design; and,

FIG. 4 is a side view of an faucet assembly having a unique configuration of the present design The opposite side view is a mirror image.

1 Claim, 4 Drawing Sheets



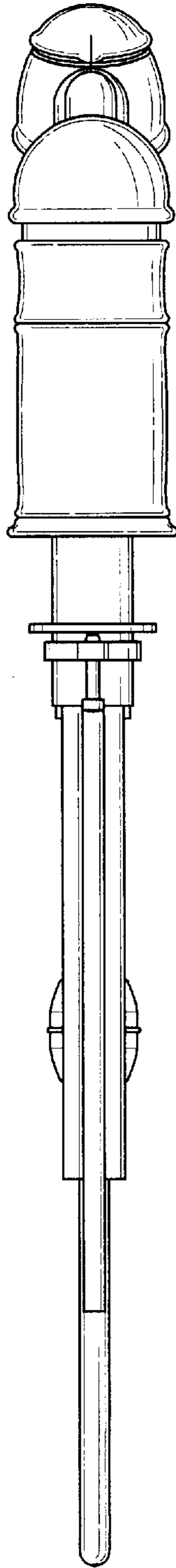


FIG. 1

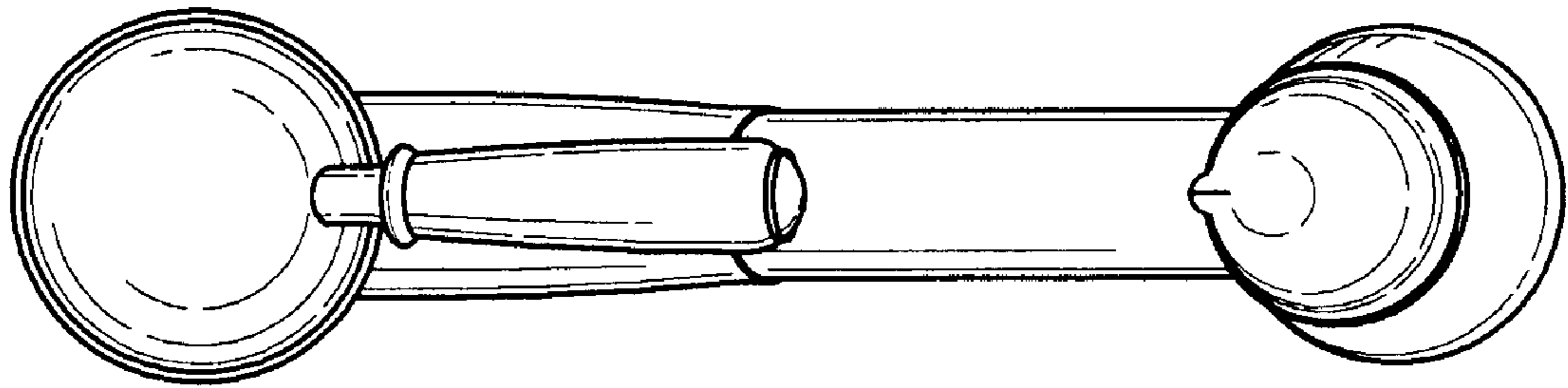


FIG. 2

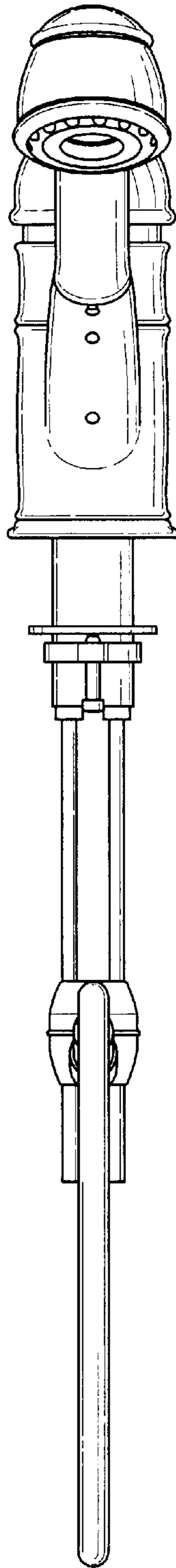


FIG. 3

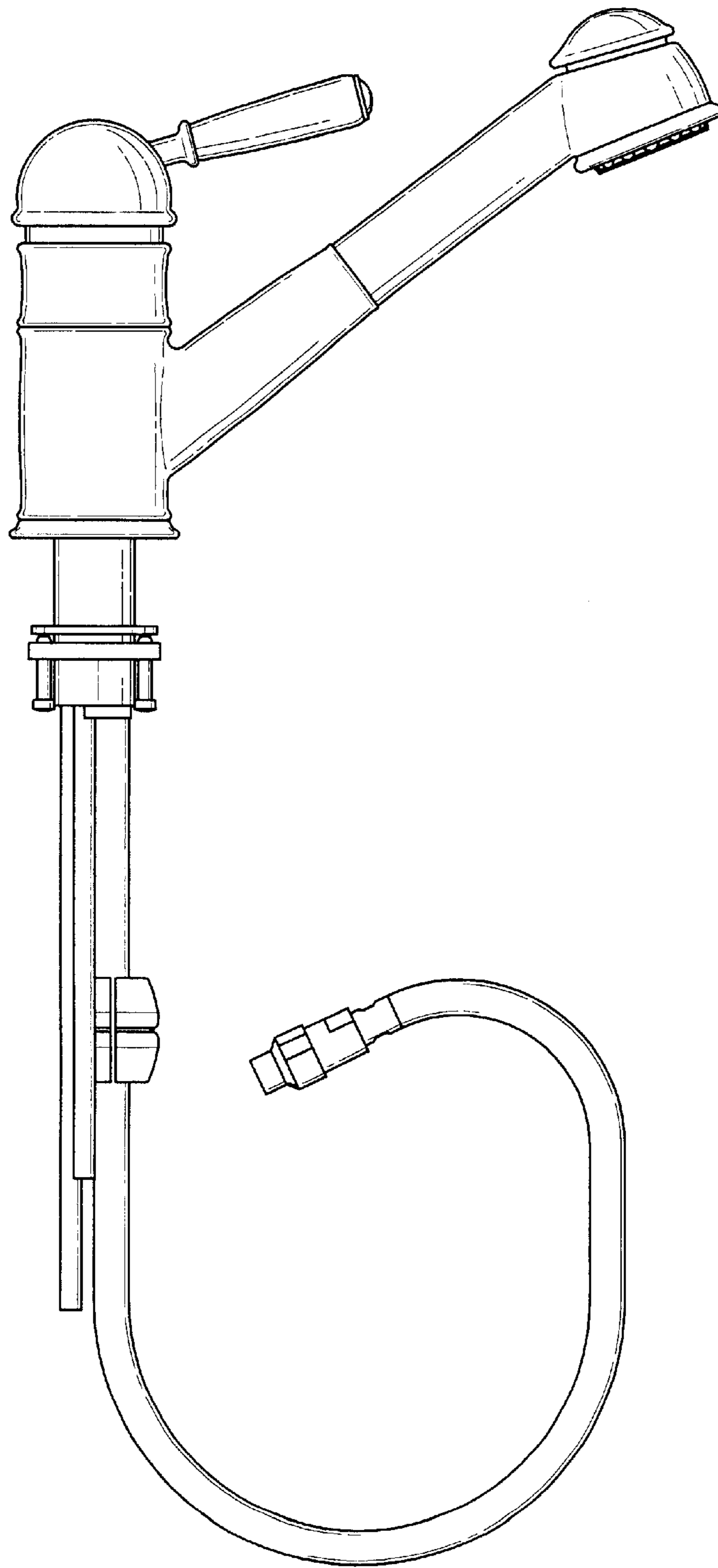


FIG. 4