



US00D484946S

(12) **United States Design Patent**  
**Hubmann et al.**

(10) **Patent No.:** **US D484,946 S**

(45) **Date of Patent:** **\*\* Jan. 6, 2004**

(54) **DISPENSING HEAD**

(75) Inventors: **Curtis H. Hubmann**, Racine, WI (US);  
**Robert C. Halstead**, Enfield (GB);  
**Matthew E. Young**, Cambs (GB);  
**Elizabeth A. Slater**, Cambs (GB);  
**Richard I. Simpson**, Cambridge (GB);  
**Reuben Wu**, Merseyside (GB)

(73) Assignee: **JohnsonDiversey, Inc.**, Sturtevant, WI (US)

(\*\*) Term: **14 Years**

(21) Appl. No.: **29/177,187**

(22) Filed: **Mar. 5, 2003**

**Related U.S. Application Data**

(62) Division of application No. 29/165,555, filed on Aug. 13, 2002, which is a division of application No. 29/150,586, filed on Nov. 6, 2001, now Pat. No. Des. 466,584.

(51) **LOC (7) Cl.** ..... **23-01**

(52) **U.S. Cl.** ..... **D23/225**

(58) **Field of Search** ..... D23/213, 225,  
D23/223, 226; 239/302, 308, 316-318,  
310, 324; D9/447, 448

(56) **References Cited**

**U.S. PATENT DOCUMENTS**

1,721,726 A	7/1929	Boe	
2,788,244 A	4/1957	Gilmour	299/84
2,991,939 A	9/1961	Packard	239/114
3,145,735 A	8/1964	Osrow et al.	137/604
3,412,937 A	11/1968	Chamberlain	239/142
3,863,843 A	2/1975	Hechler, IV	239/318
3,964,689 A	6/1976	Horvath, Jr.	239/318
4,475,689 A	10/1984	Hauger et al.	239/318
D295,214 S	4/1988	Miller	D23/225
D296,813 S	7/1988	Ellison	D23/225
D302,201 S	7/1989	Hengesbach	D23/213
D305,452 S	1/1990	Morgan	D23/225
4,901,923 A	2/1990	McRoskey et al.	239/123

D307,463 S	4/1990	Fushiya et al.	D23/225
4,969,603 A	11/1990	Norman	239/318
5,259,557 A	11/1993	Spriggs et al.	239/304
D358,865 S	5/1995	Englhard et al.	D23/213
D378,493 S	3/1997	Subbaraman et al.	D9/524
5,996,907 A	12/1999	Toetschinger et al.	239/305
D432,208 S	10/2000	Beaver et al.	D23/225
6,158,673 A	12/2000	Toetschinger et al.	239/305
6,182,911 B1	2/2001	Hanks et al.	239/318
D445,872 S	7/2001	Ketcham et al.	D23/225
D466,584 S	* 12/2002	Hubmann et al.	D23/213

**OTHER PUBLICATIONS**

J-Fill Portable brochure, from S. C. Johnson Commercial Markets, Inc., dated 2000.

\* cited by examiner

*Primary Examiner*—Robin V. Taylor

(74) *Attorney, Agent, or Firm*—Neil E. Hamilton; Warren R. Bovee; Renee J. Rymarz

(57) **CLAIM**

The ornamental design for a dispensing head, as shown and described.

**DESCRIPTION**

The nature of this product is as a dispenser for liquids primarily used for cleaning and sanitizing solutions.

FIG. 1 is a right, rear, perspective view of a dispensing head embodying our new design;

FIG. 2 is a right side elevational view thereof, the left side elevational view thereof being a mirror image of the right side shown;

FIG. 3 is a rear elevational view thereof;

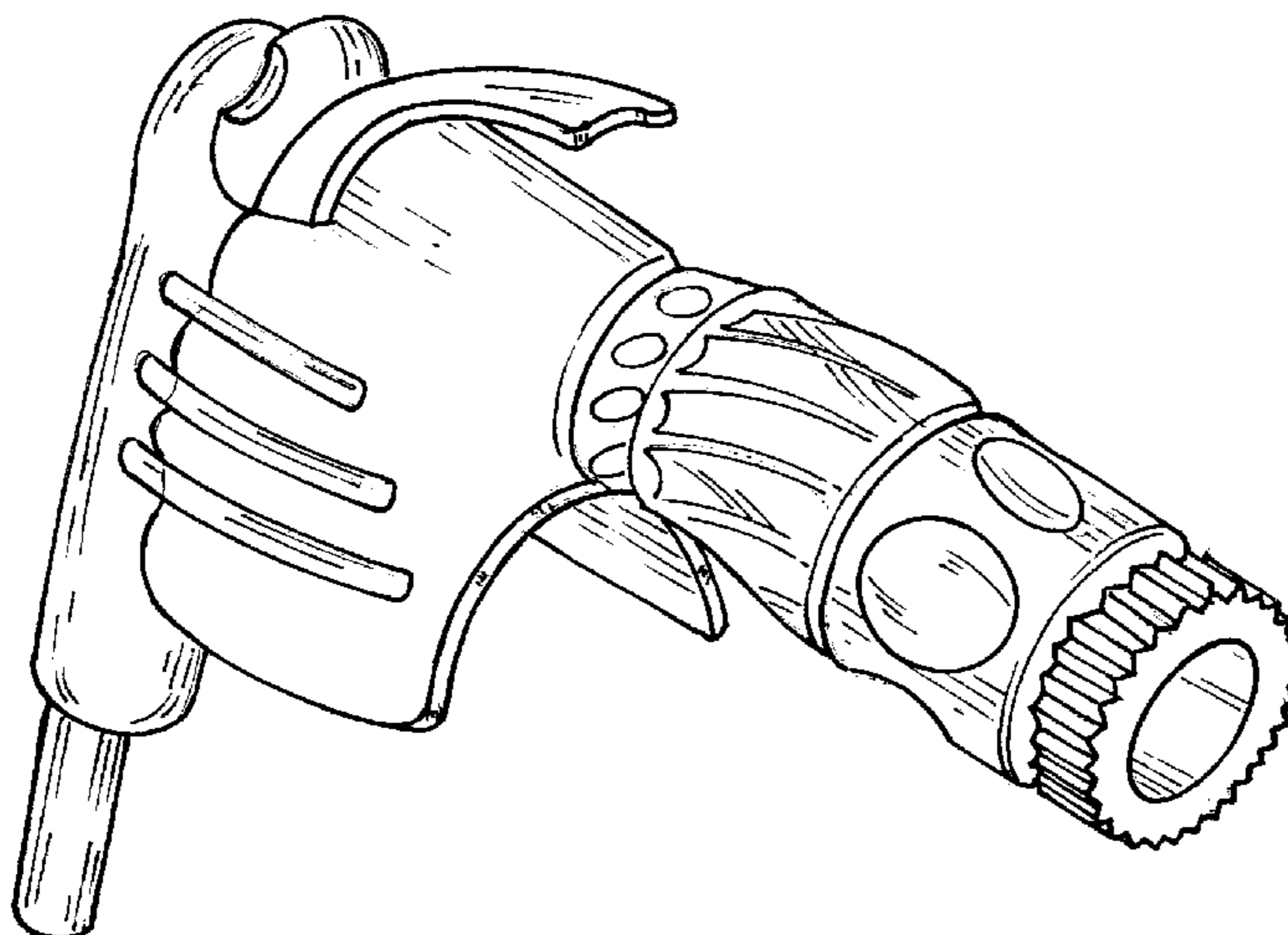
FIG. 4 is a front elevational view thereof; and,

FIG. 5 is a top plan view thereof.

The broken line representations of bottles in FIGS. 2, 7, 12, 17, 22, 27, 32 and 37 are for illustrative purposes only and form no part of the claimed design.

The broken line showing is for illustrative purposes only and forms no part of the claimed design.

**1 Claim, 3 Drawing Sheets**



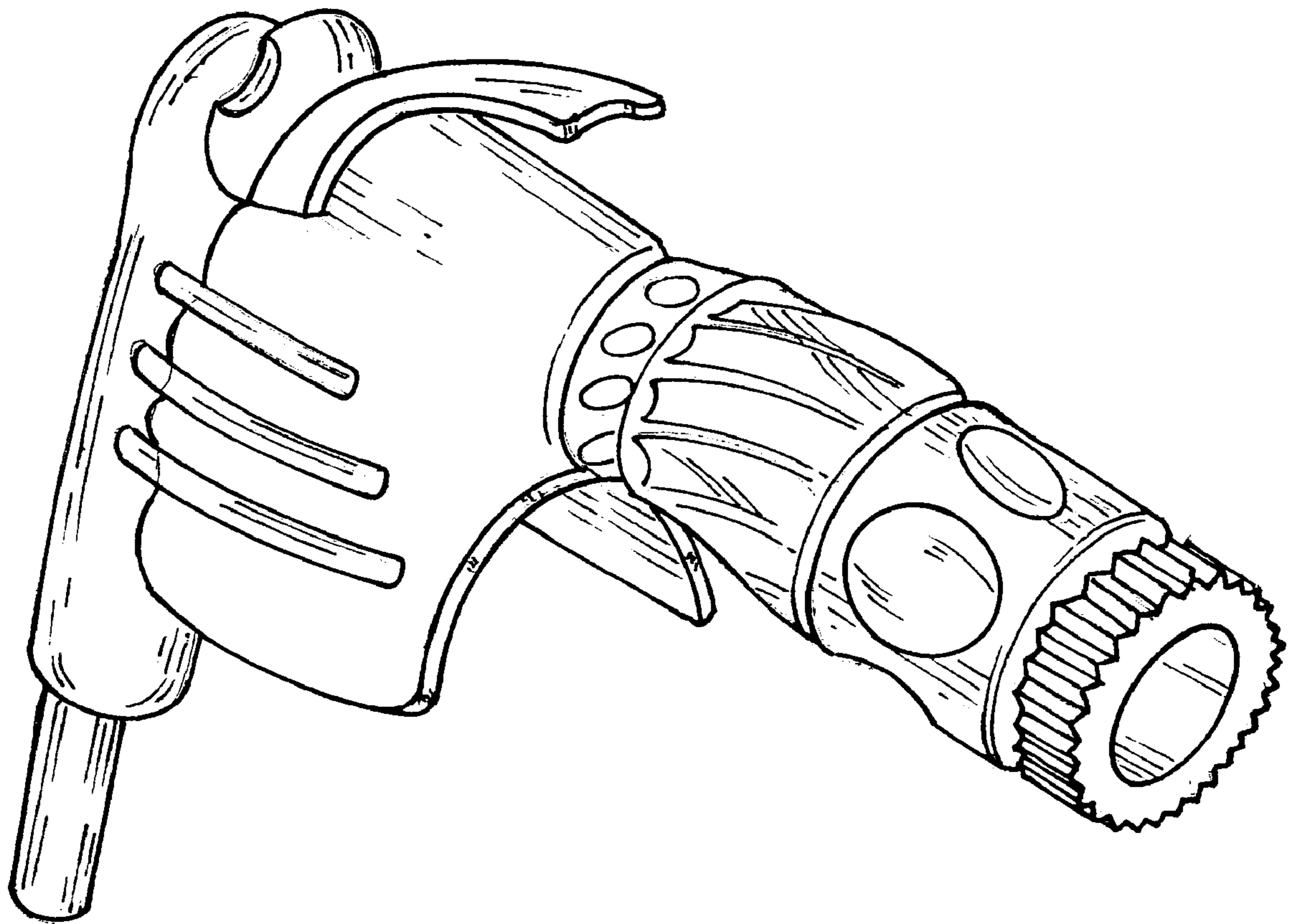


FIG. 1

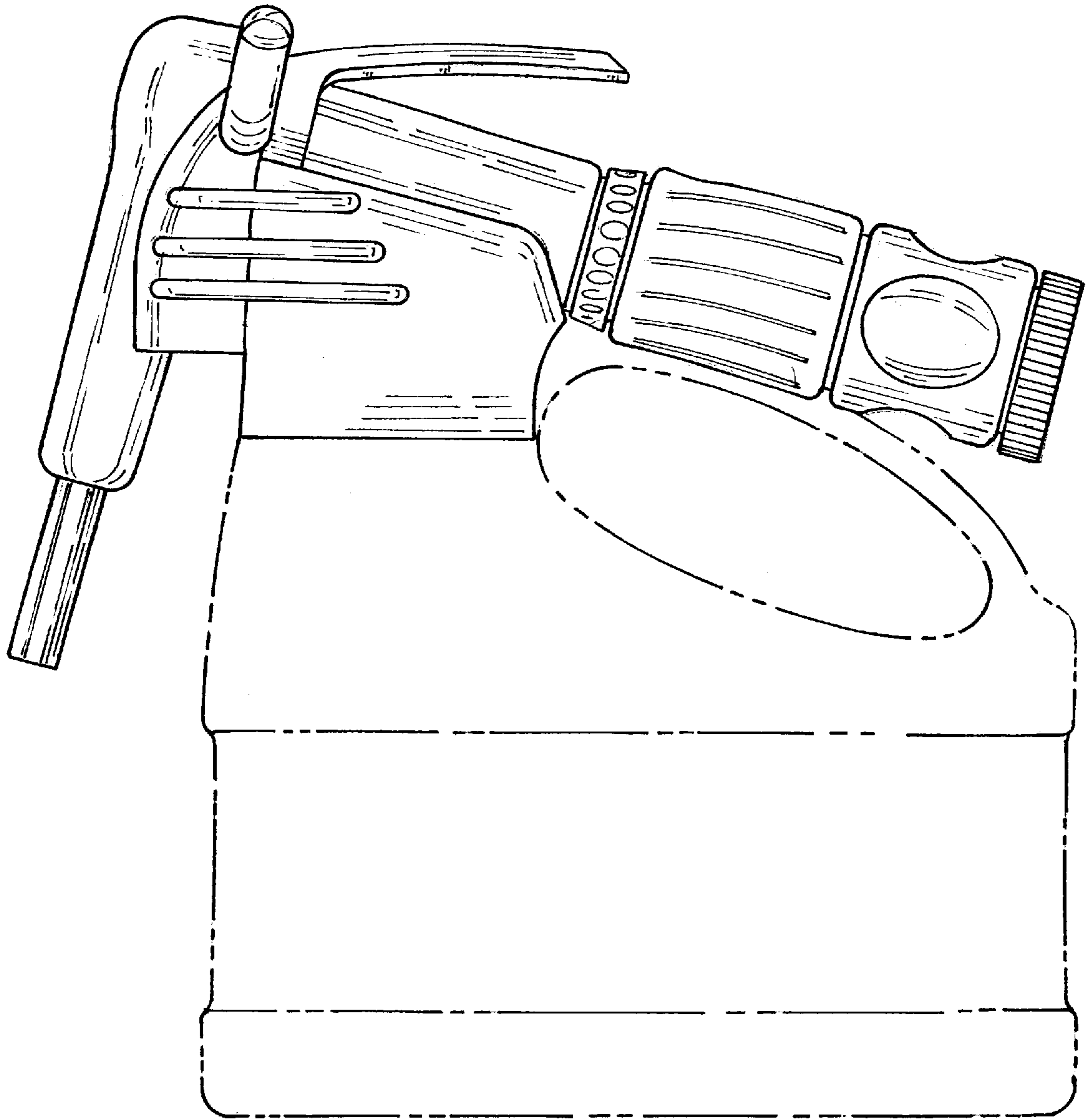


FIG. 2

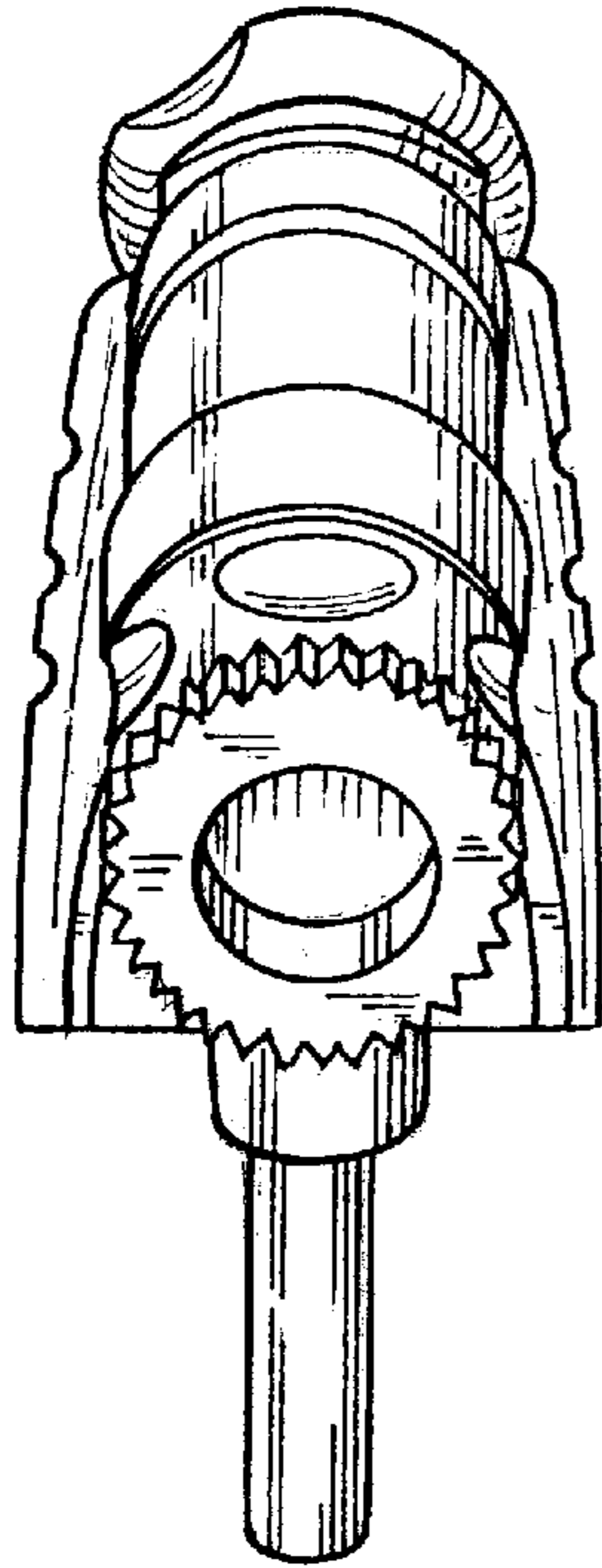


FIG. 3

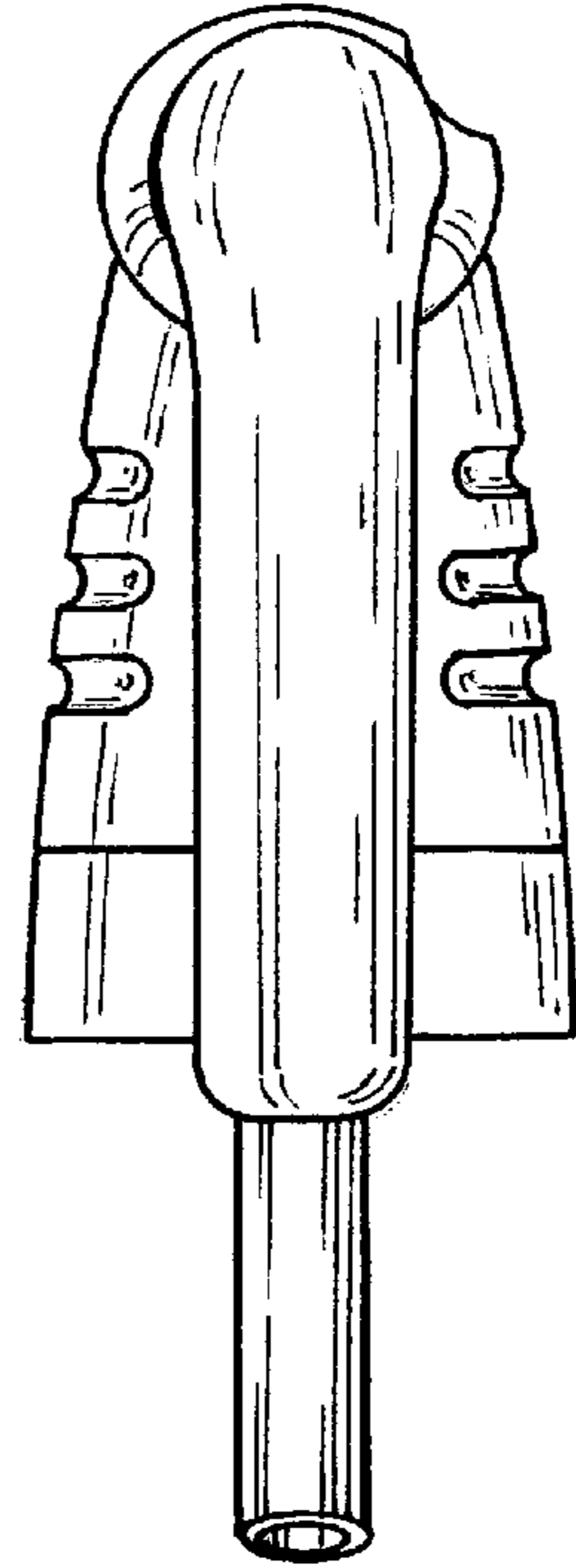


FIG. 4

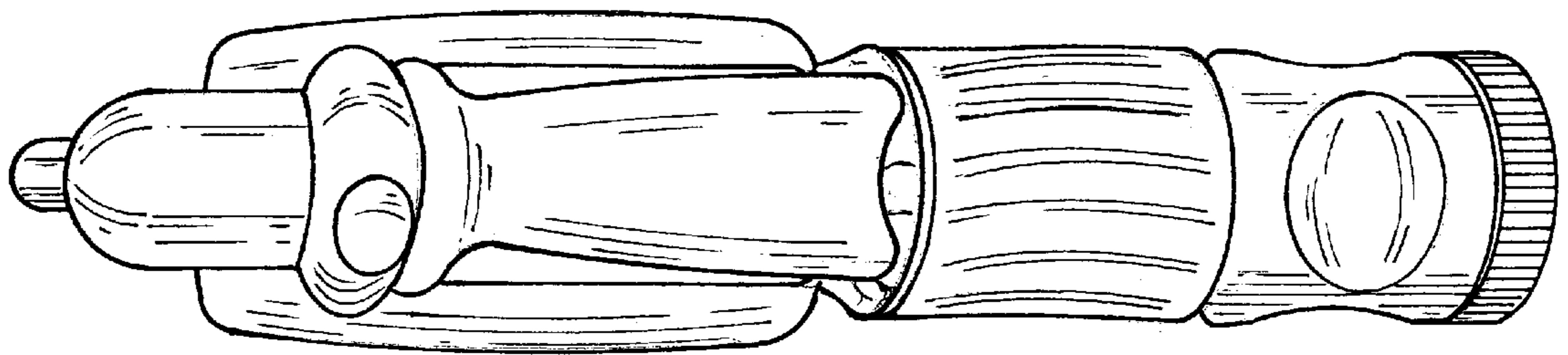


FIG. 5